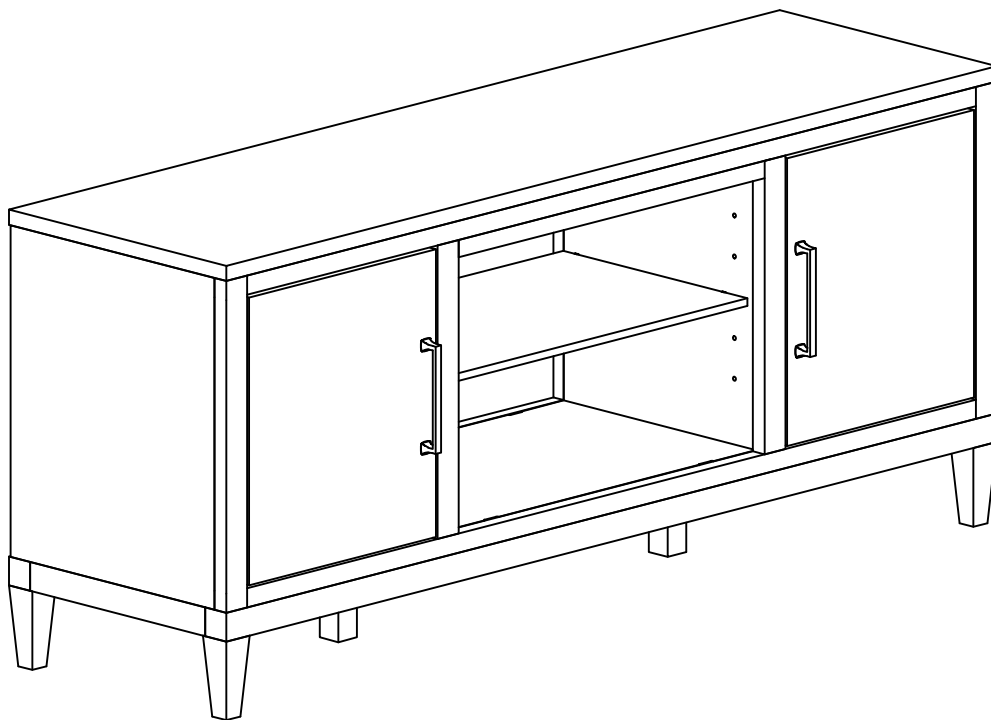
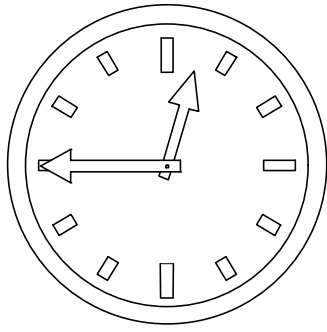


# Assembly Instructions

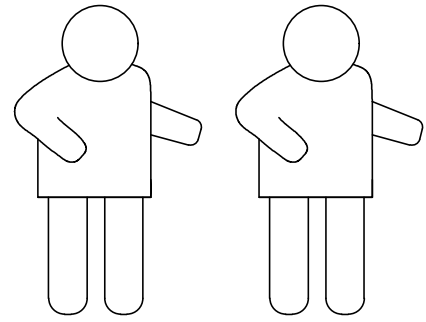
## 910188 Manhattan TV Stand - Black Coffee

Product Issues? Please Call Us Before Contacting Your Retailer At  
1-800-549-3300, email [customerservice@mshome.co](mailto:customerservice@mshome.co), or visit [mshome.co](http://mshome.co)  
We can help with Assembly Issues, Part Requests, Damages, & All Other  
Product Related Questions

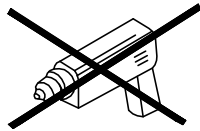
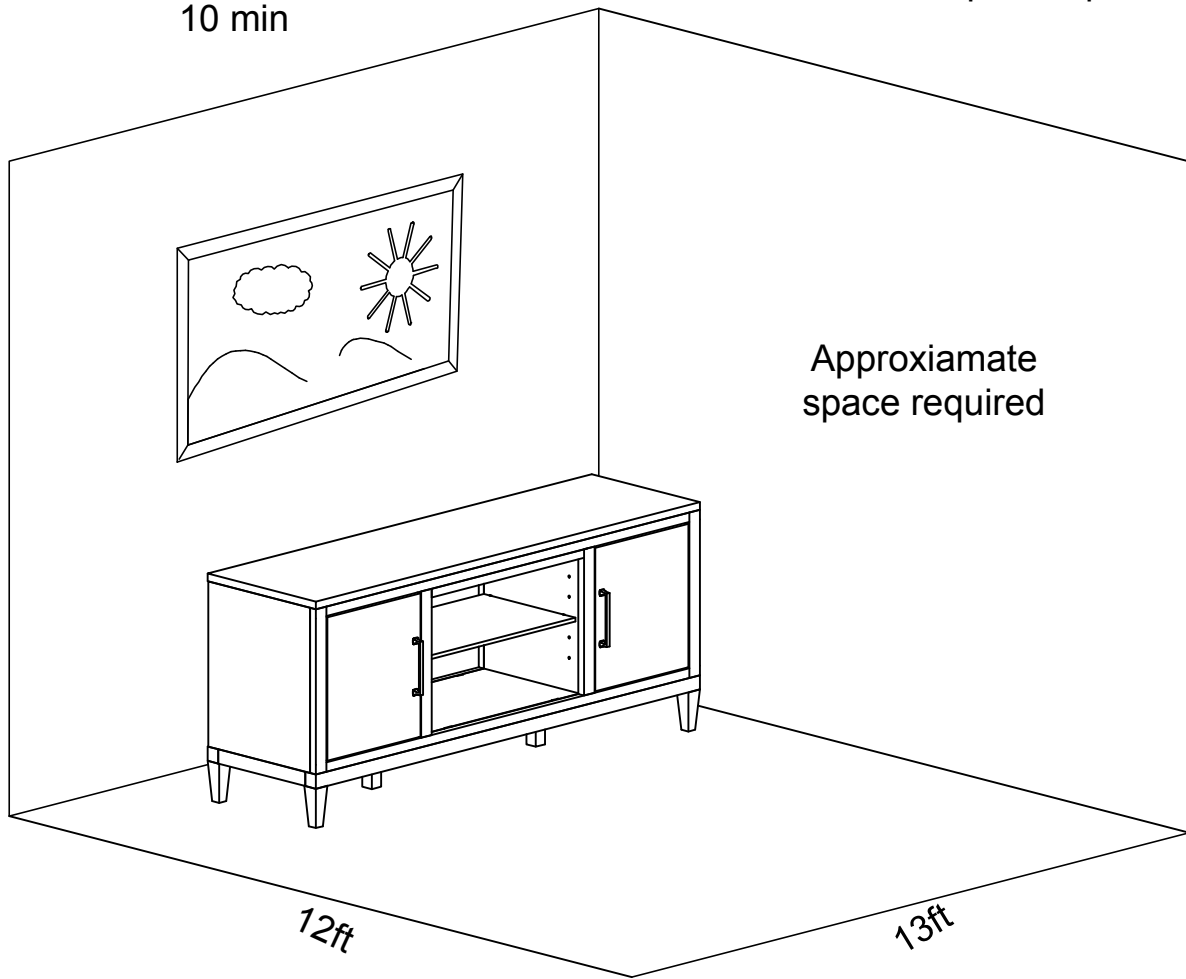




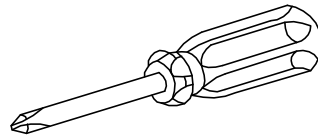
10 min



Two People Required



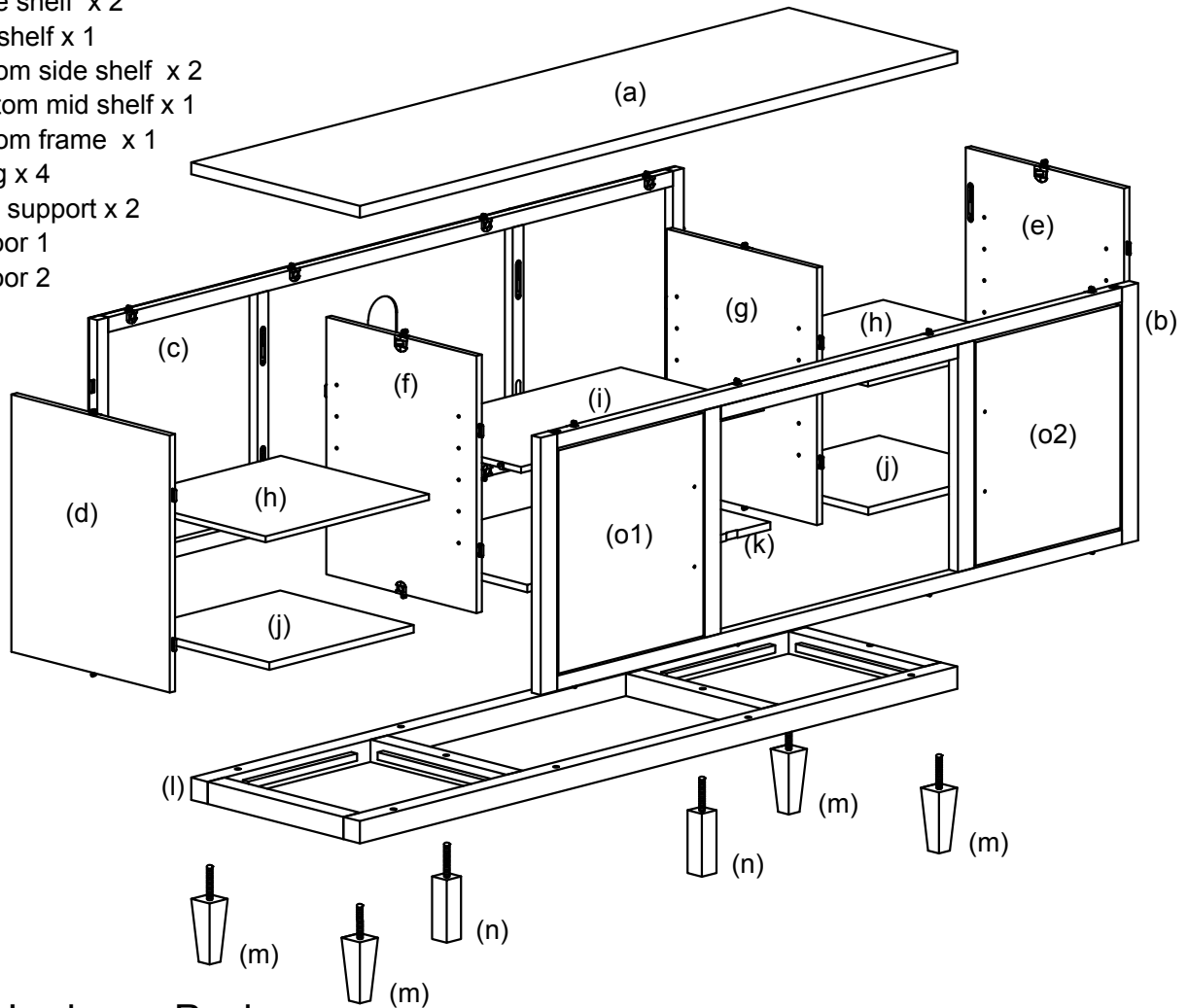
Do not use Power Tools



Phillips Head

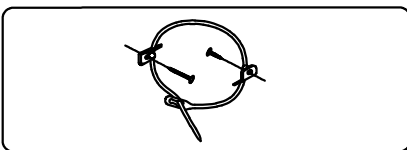
## PARTS INCLUDE

- (a) Top panel x 1
- (b) Front frame x 1
- (c) Back frame x 1
- (d) Left side panel x 1
- (e) Right side panel x 1
- (f) Left partition x 1
- (g) Right partition x 1
- (h) Side shelf x 2
- (i) Mid shelf x 1
- (j) Bottom side shelf x 2
- (k) Bottom mid shelf x 1
- (l) Bottom frame x 1
- (m) Leg x 4
- (n) Leg support x 2
- (o1) Door 1
- (o2) Door 2



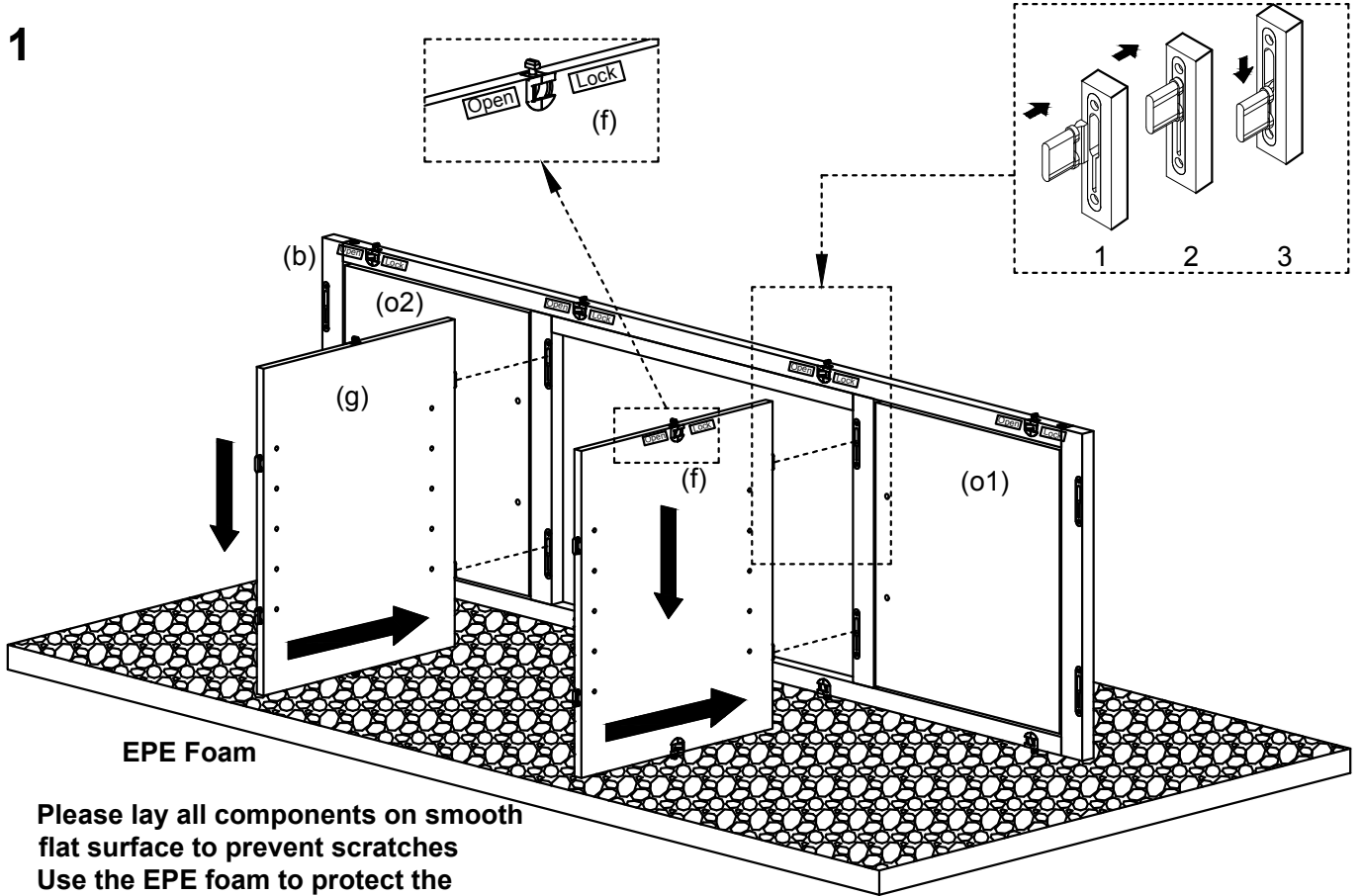
**Hardware Pack**

AA x 12	BB x 02	CC x 02	DD x 02	EE x 14
		Ø4x30 (mm)		Ø3x12 (mm)



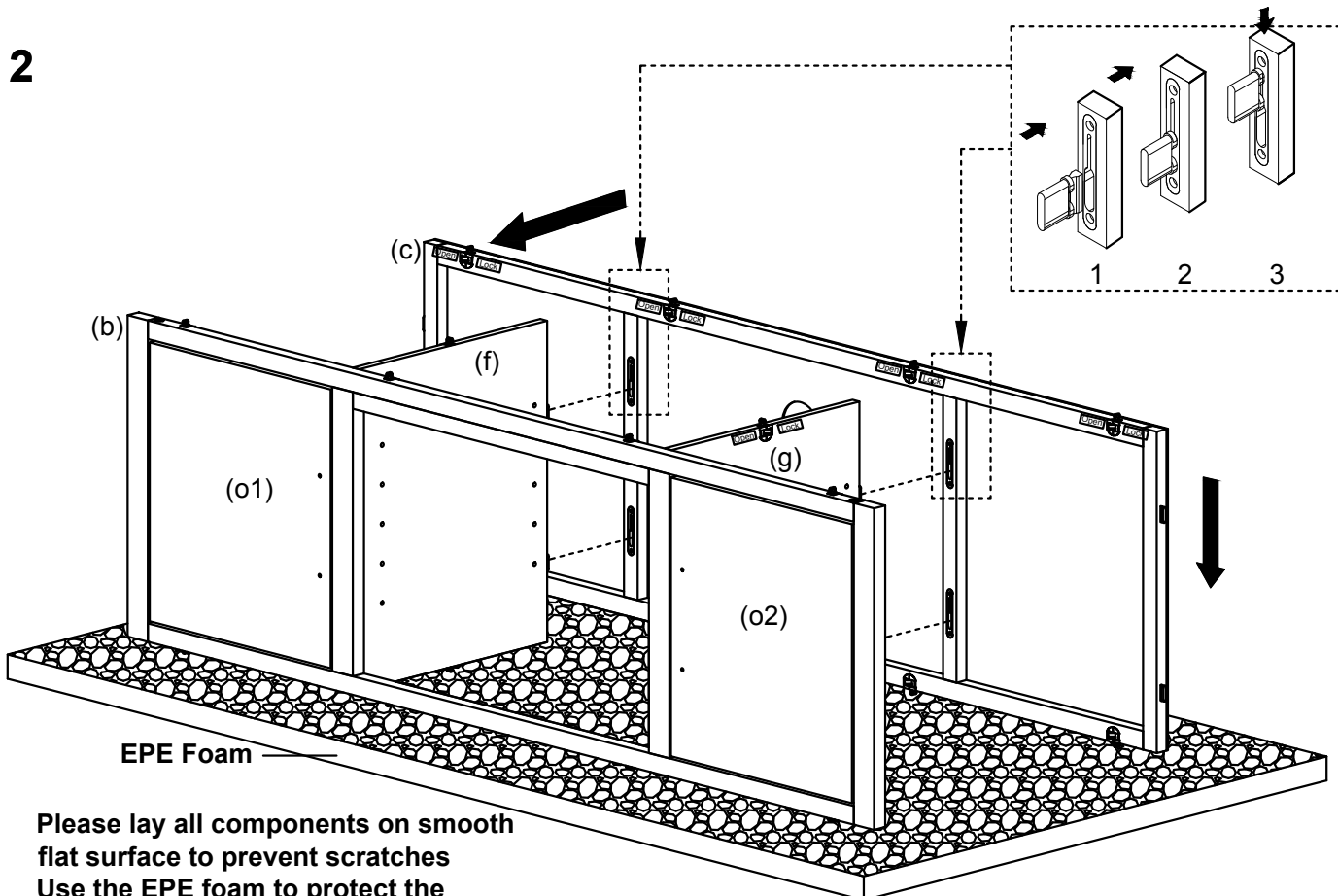
**ANTI-TIP SET**

1



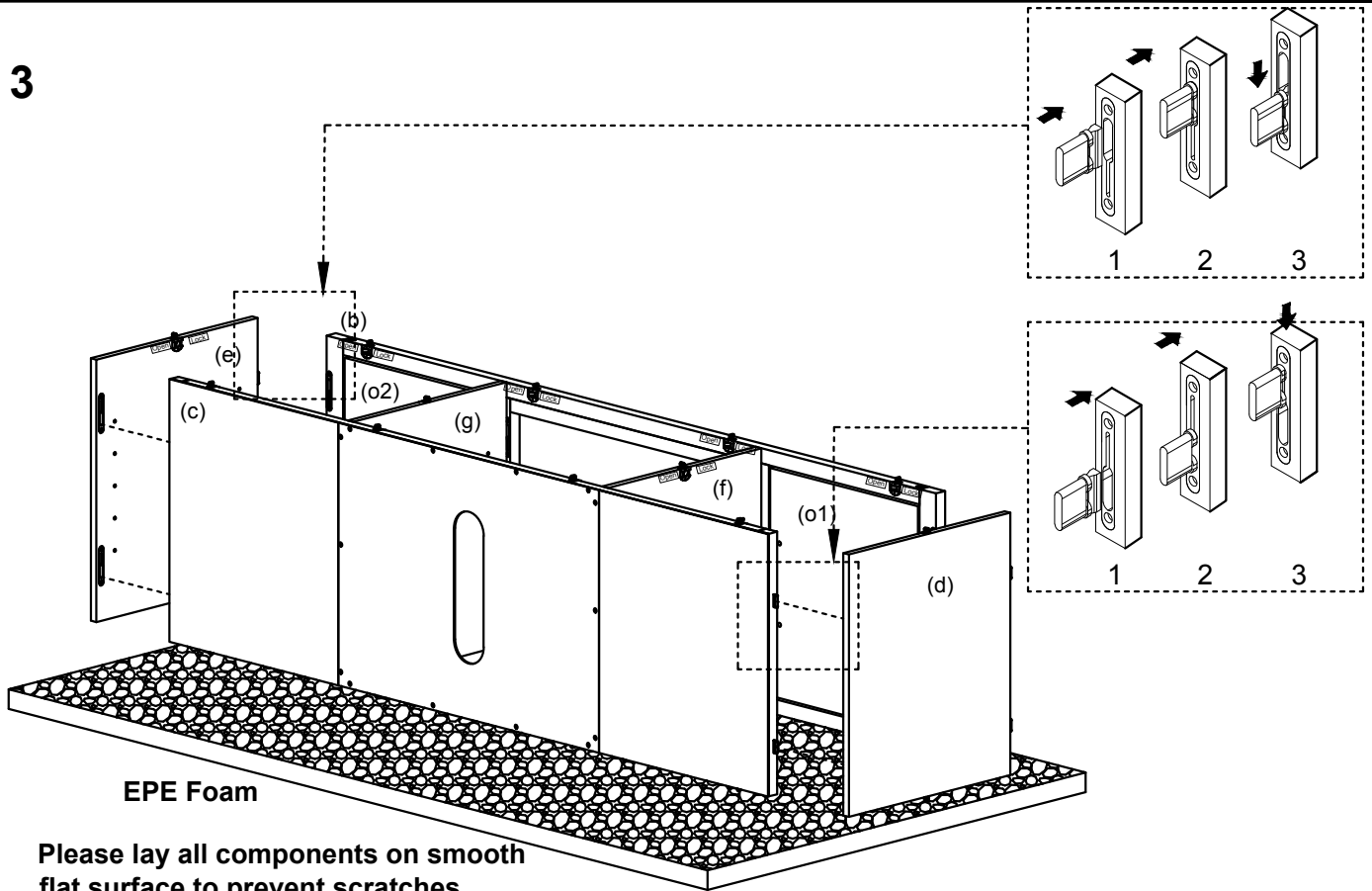
- Please lay all components on smooth flat surface to prevent scratches
- Use the EPE foam to protect the plastic hardware before assembly

2



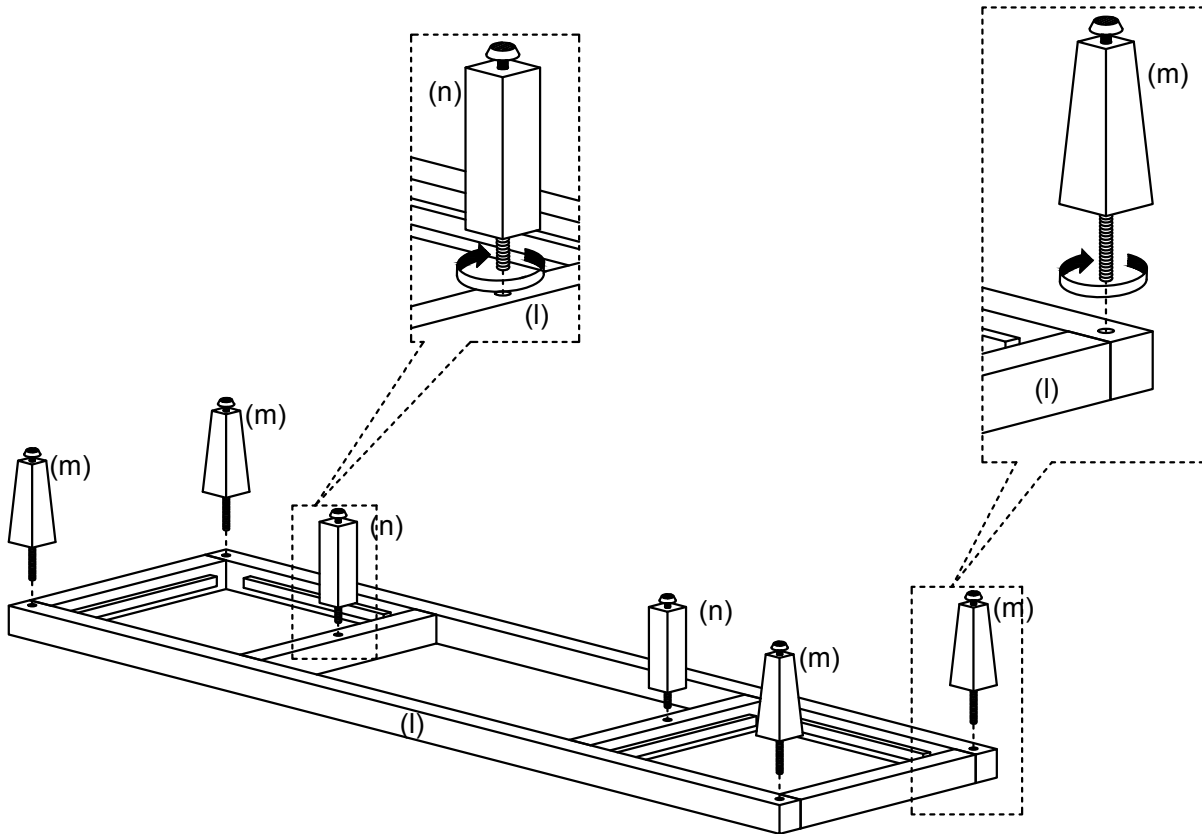
- Please lay all components on smooth flat surface to prevent scratches
- Use the EPE foam to protect the plastic hardware before assembly

3

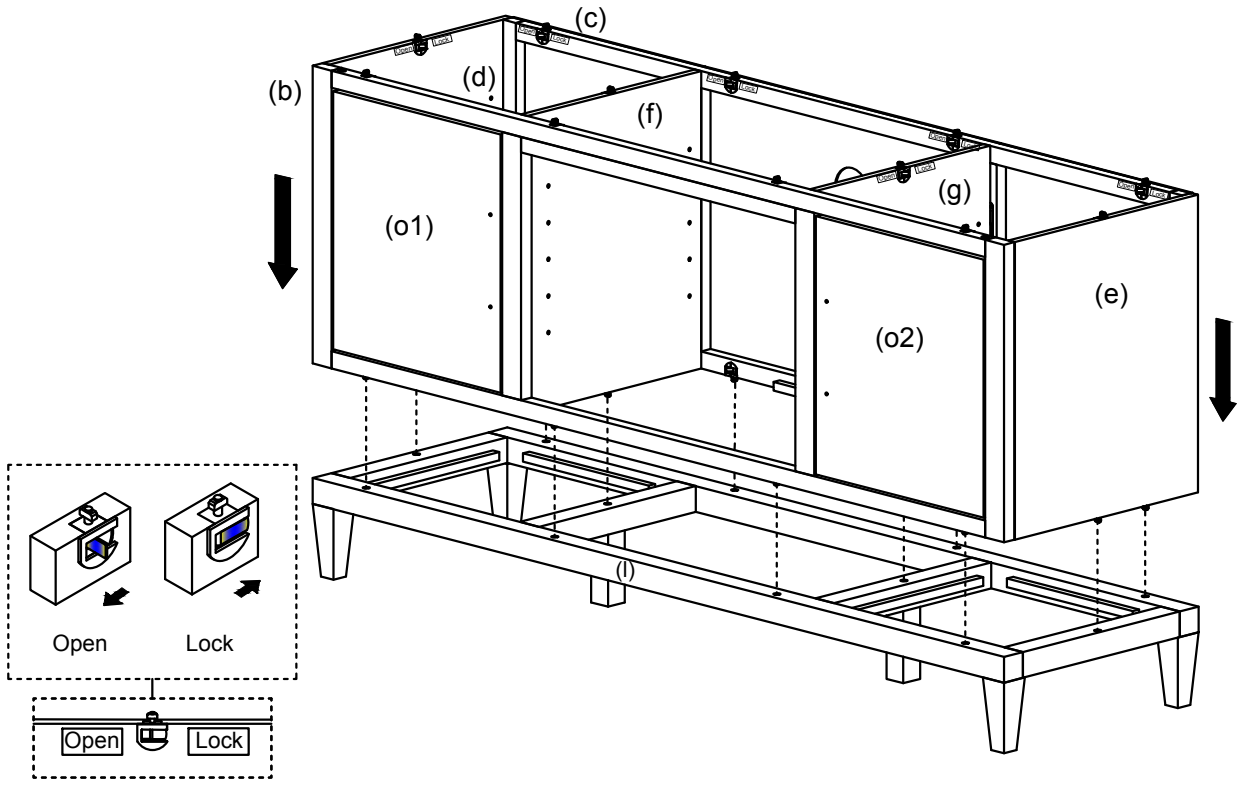


- Please lay all components on smooth flat surface to prevent scratches
- Use the EPE foam to protect the plastic hardware before assembly

4

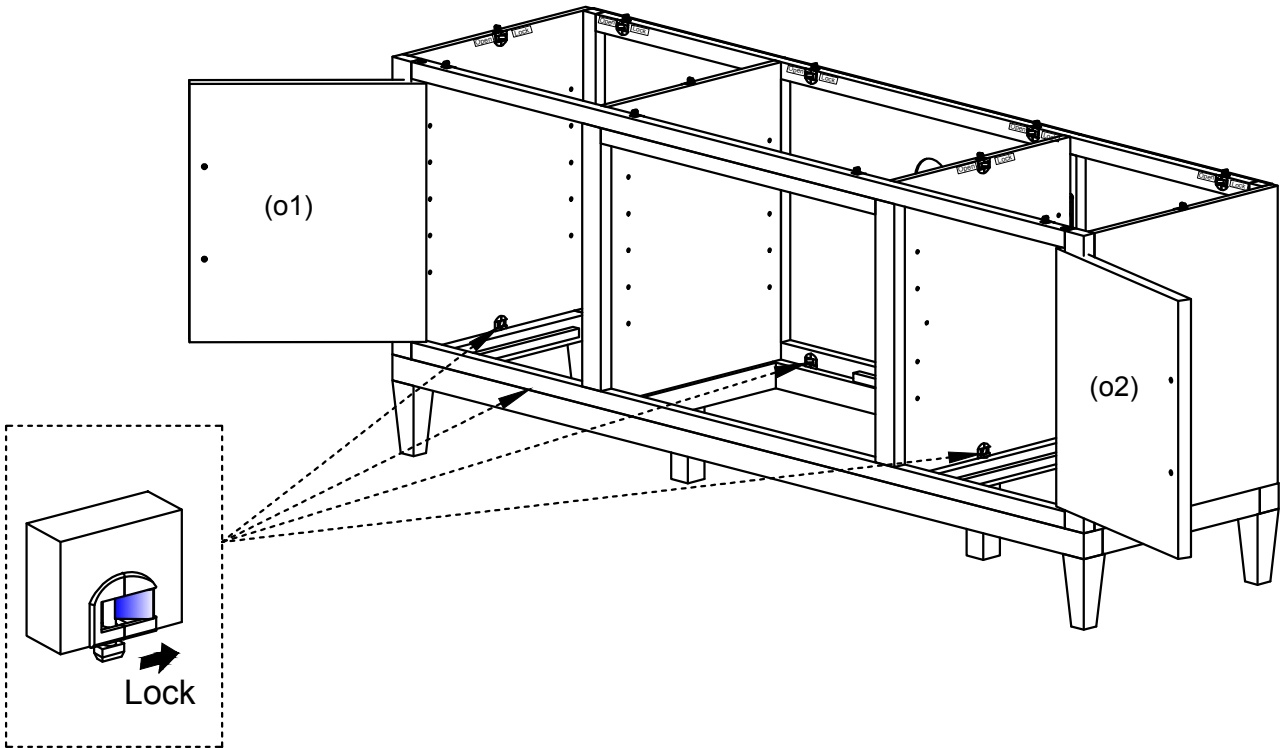


5



Make sure all latches are in the open position before installing Bottom frame (l)

6



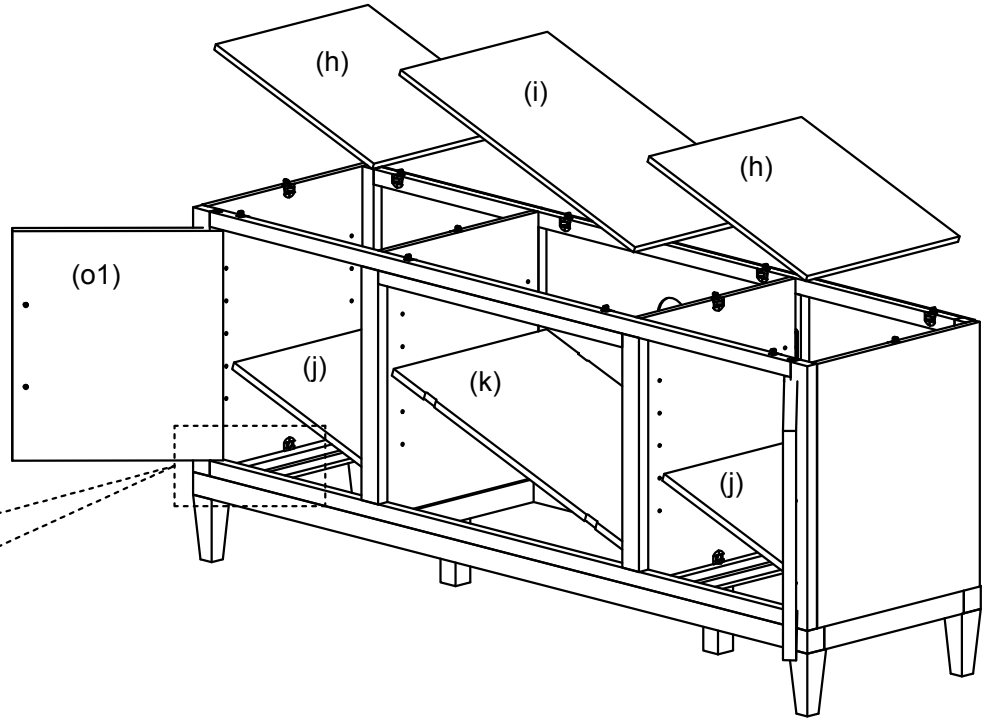
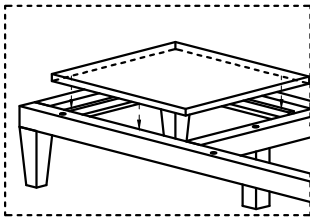
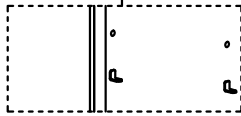
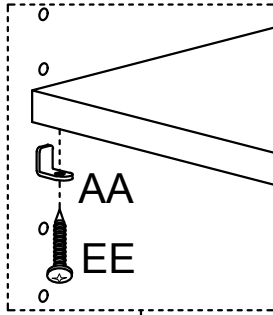
Make sure all latches are in the locked position

7

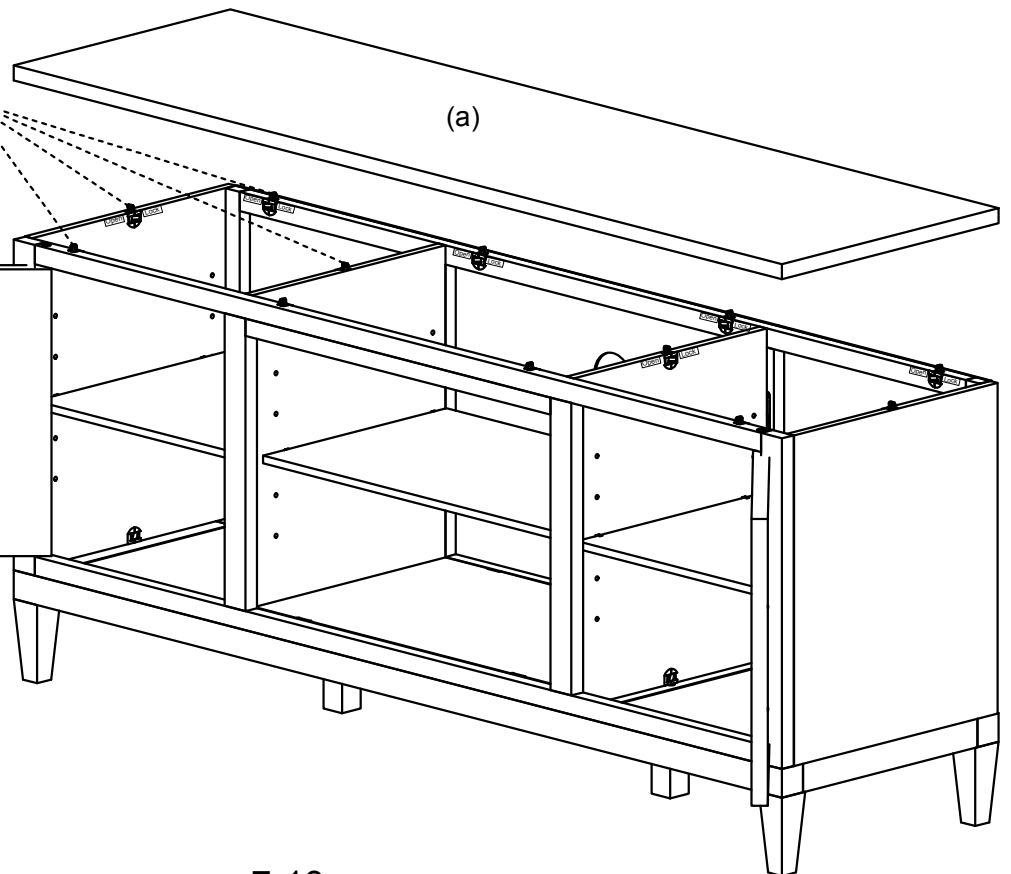
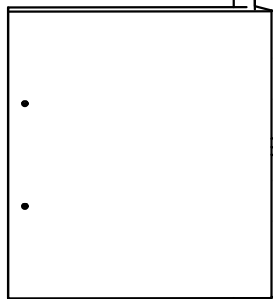
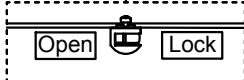
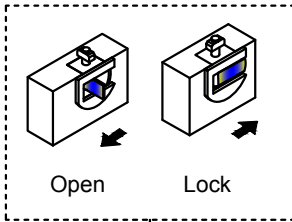
AA x 12



EE x 12

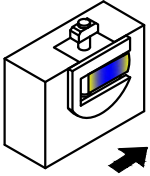
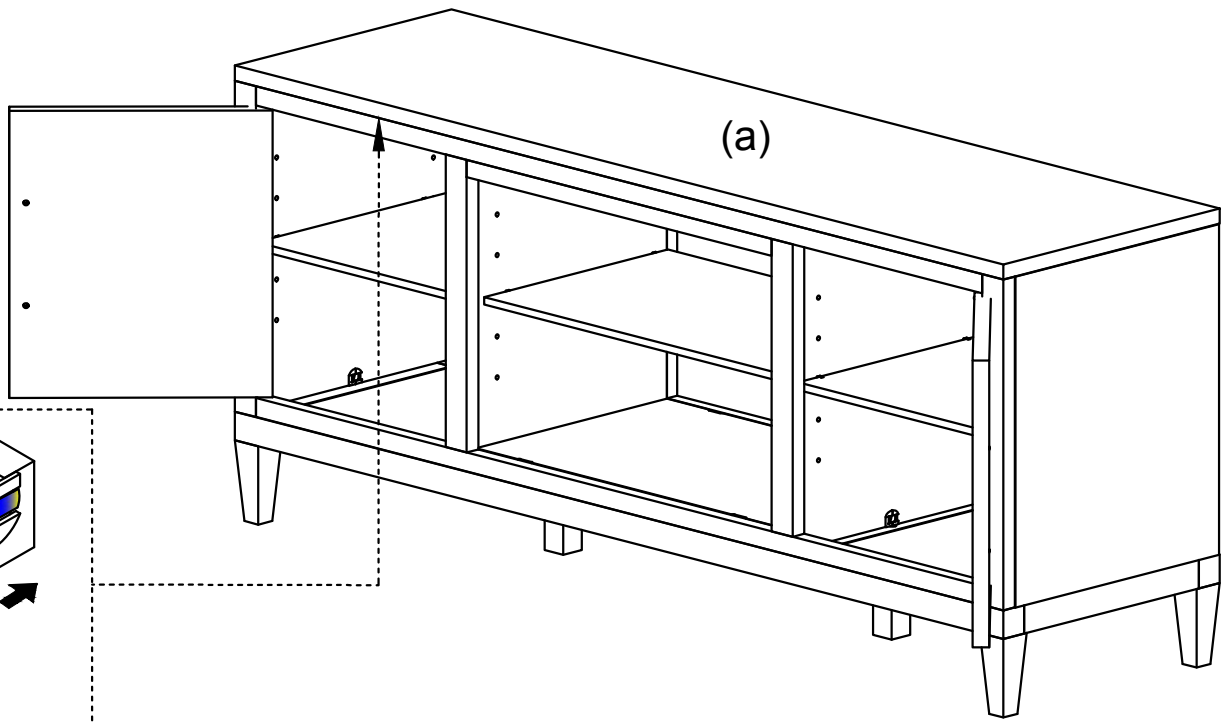


8



Make sure all latches are in the open position before installing Top Panel (a)

9



Lock

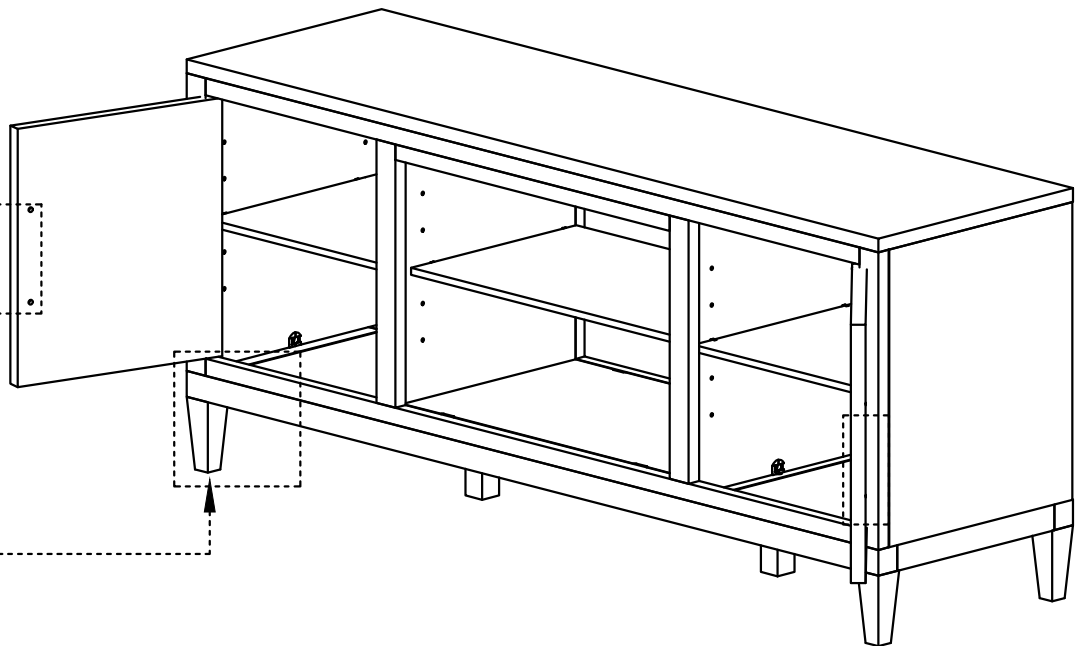
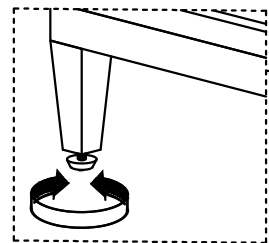
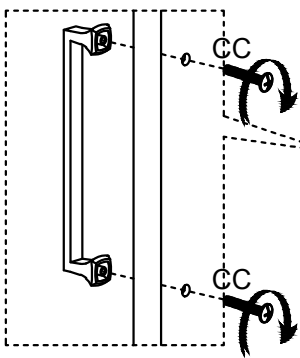
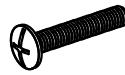
Make sure all latches are in the locked position

10

BB x 2

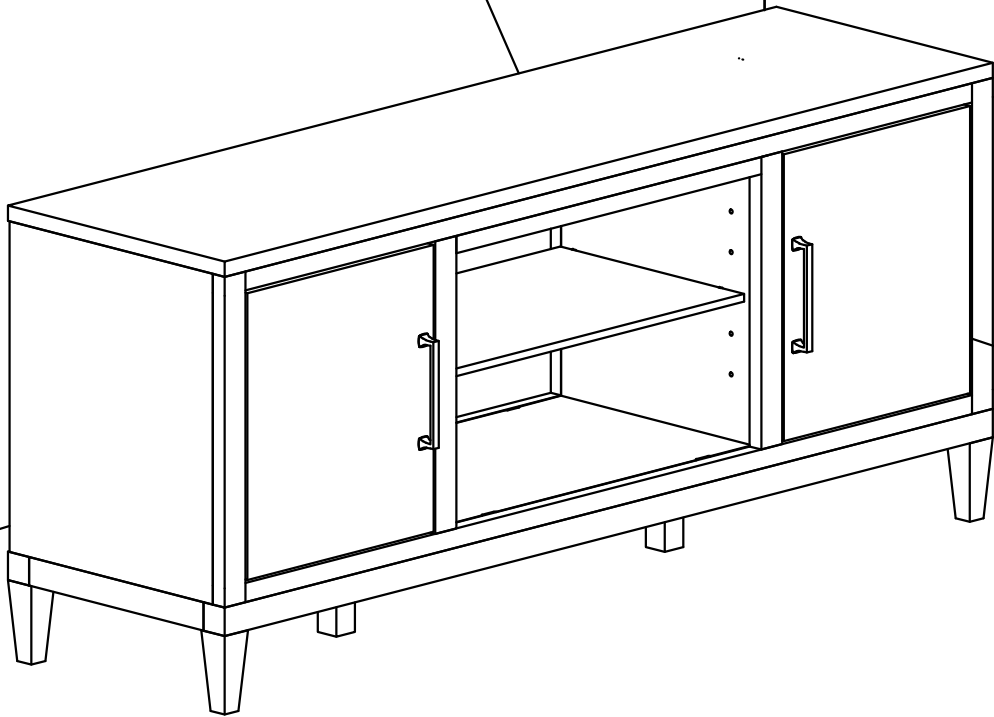
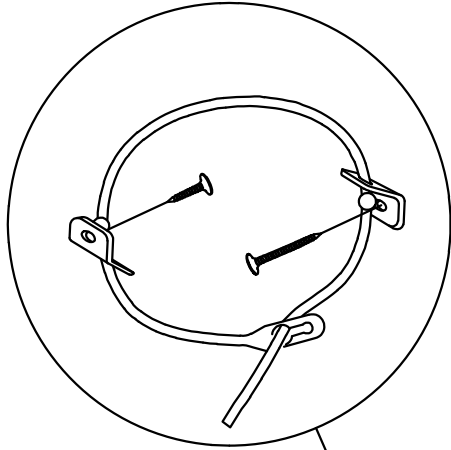


CC x 4



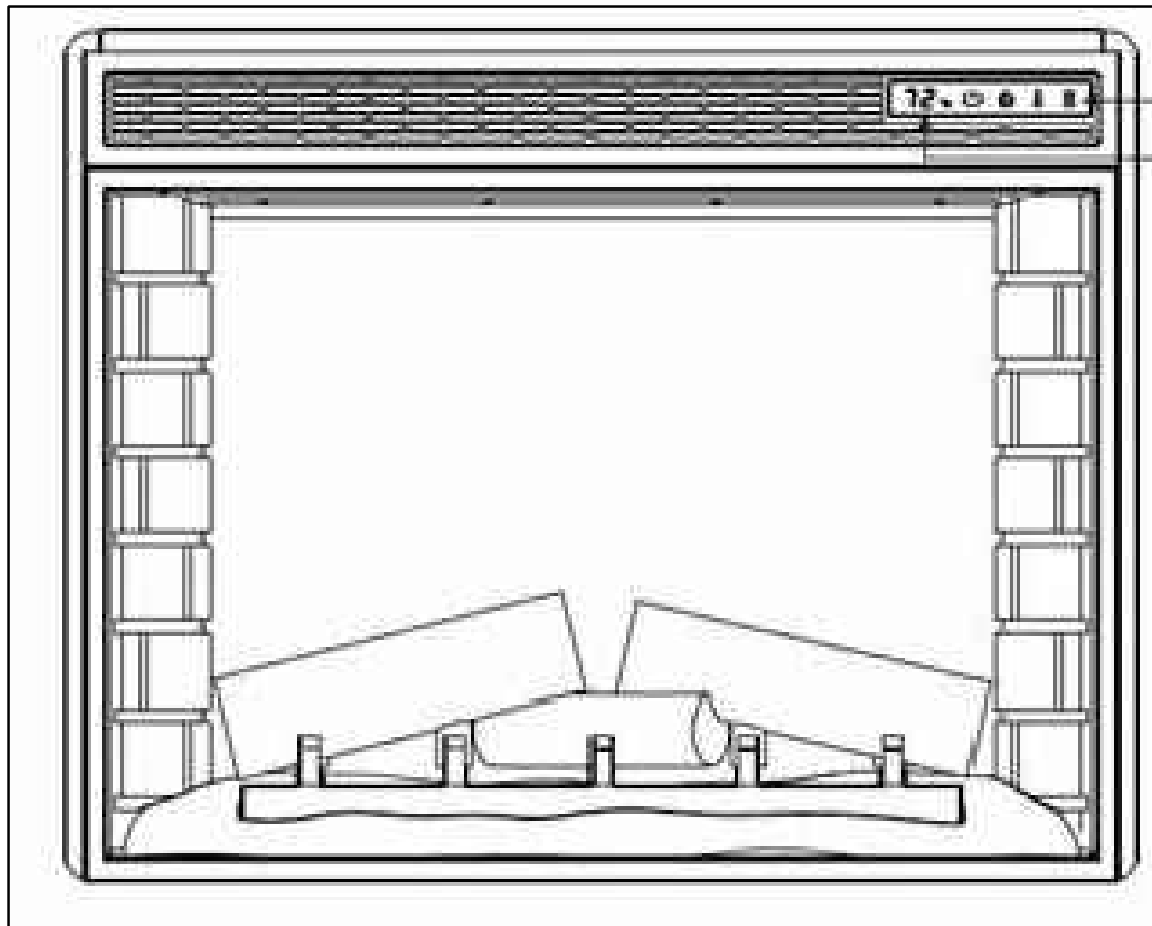


11





## Optional Fireplace Insert Installation Guide



### Notice:

Please read all "Electric fireplace insert" instructions prior to installing electric fireplace insert in your completed tv stand. Install the insert in your fireplace close to its final position.

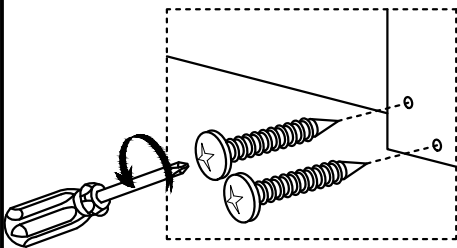
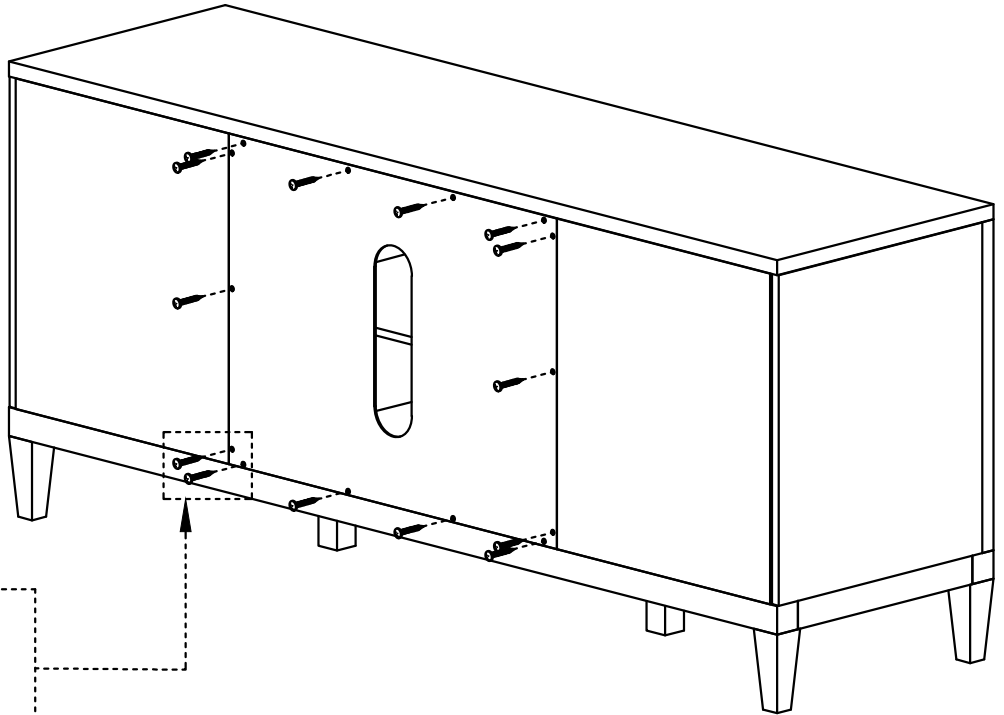
For all questions related to the electric fireplace including operation, troubleshooting, parts, or warranty, please refer to the "Electric fireplace insert" owner's guide

13



**⚠ WARNING:** Back Panel must remain unattached and removed from the case when the fireplace insert is installed

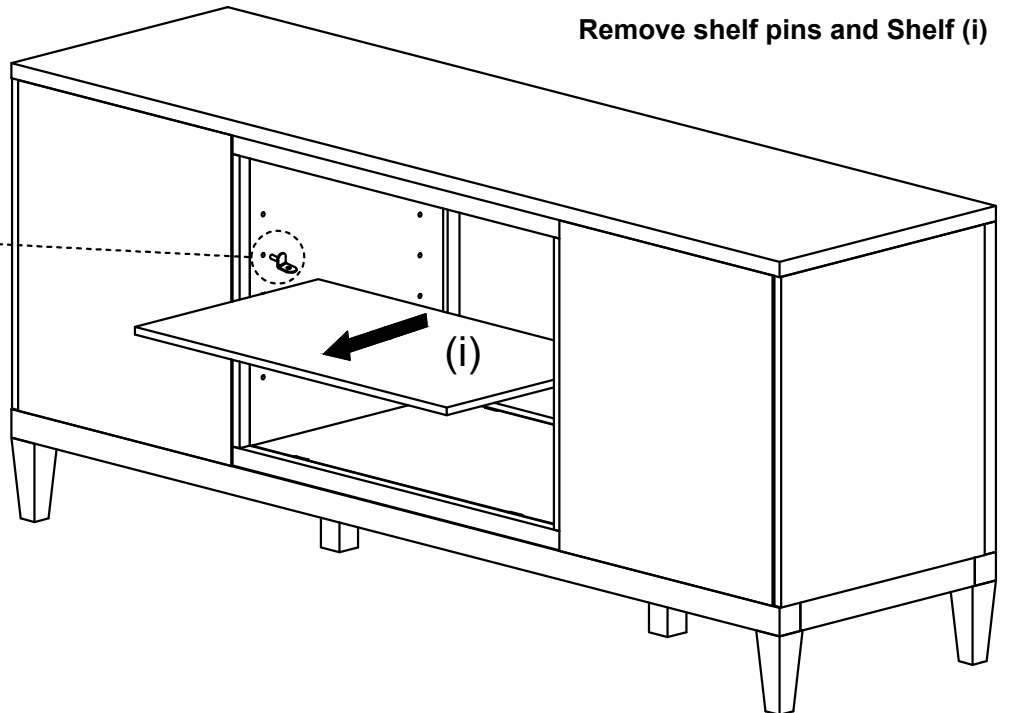
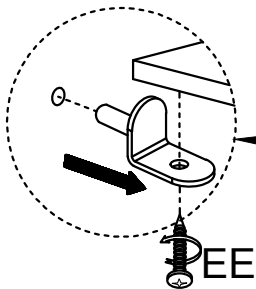
Remove Back Panel



14

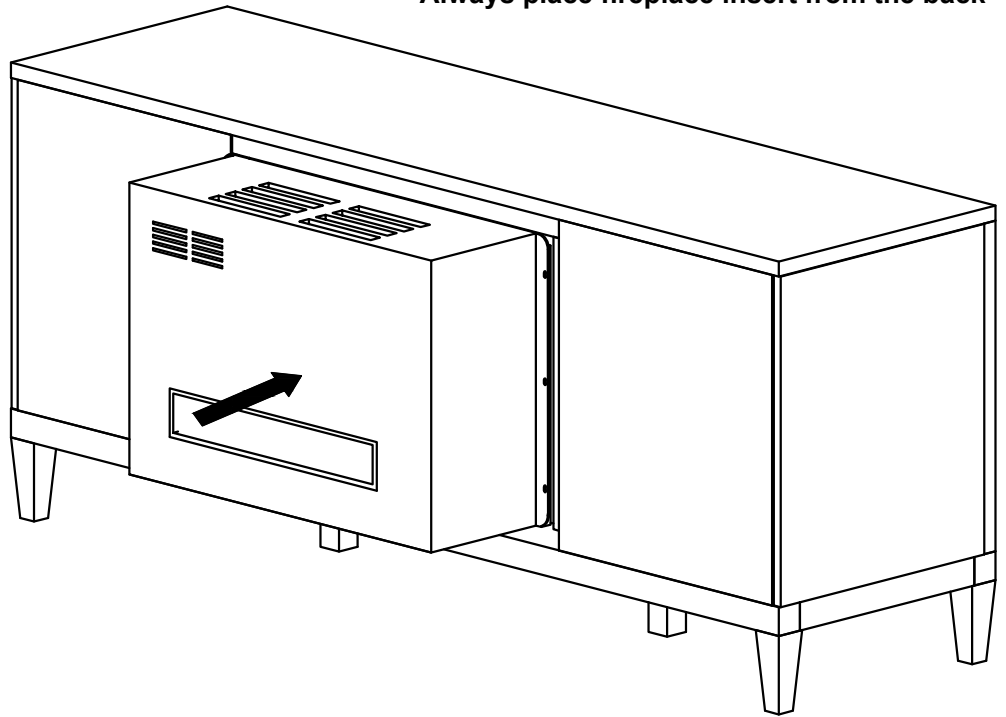


Remove shelf pins and Shelf (i)



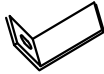
15

Always place fireplace insert from the back

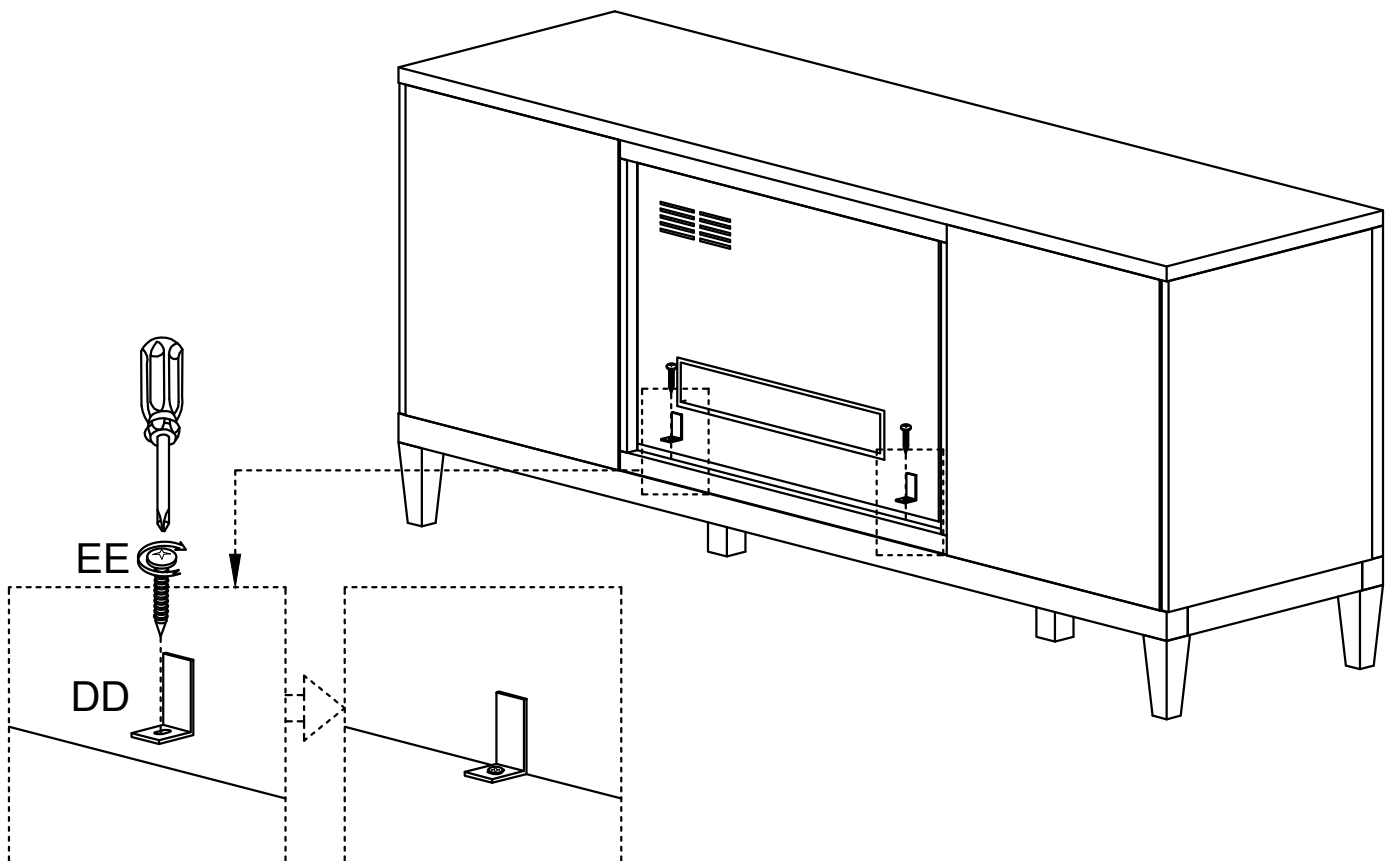


16

DD x 2



EE x 2



12-13

