



MANHATTAN
COMFORT

888-230-2225

help@manhattancomfort.com

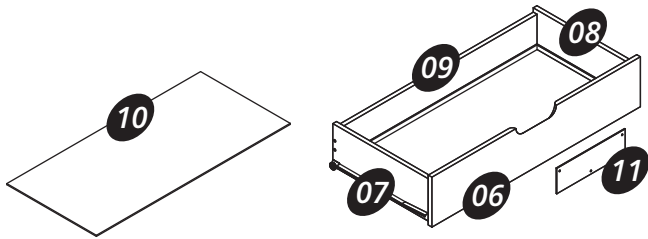
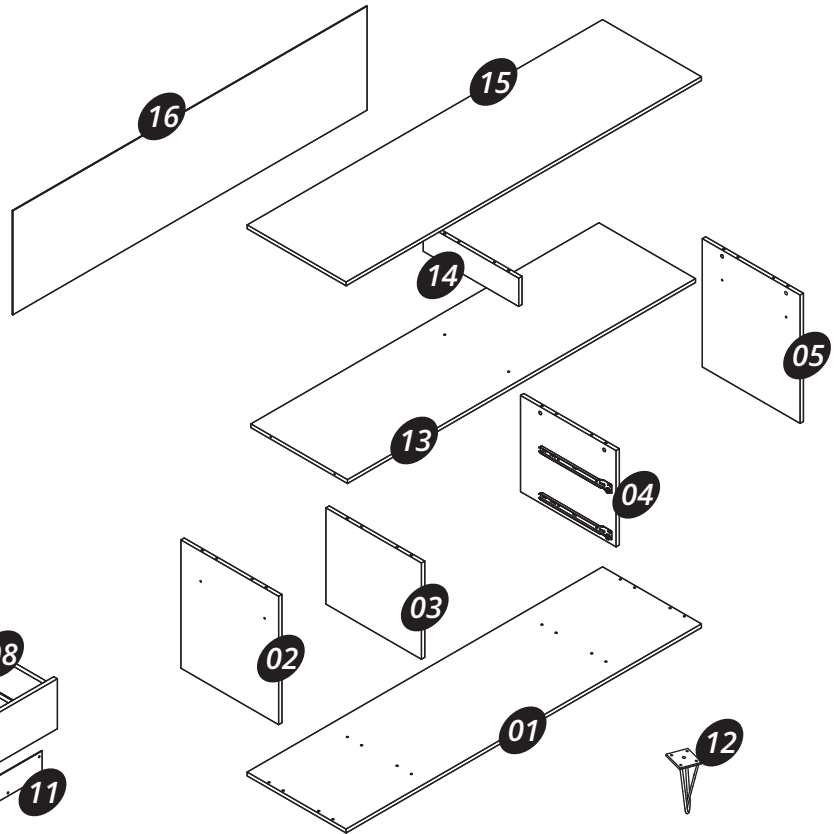


Rockefeller

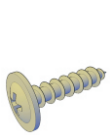
TV Stand 62.99"

Included in the package

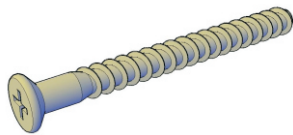
- 01 - Base board = 01 piece (box 01/02)
- 02 - Left side panel = 01 piece (box 02/02)
- 03 - Left partition panel = 01 piece (box 02/02)
- 04 - Right partition panel = 01 piece (box 02/02)
- 05 - Right side panel = 01 piece (box 02/02)
- 06 - Front of the drawer = 02 pieces (box 01/02)
- 07 - Left side panel of the drawer = 02 pieces (box 02/02)
- 08 - Right side panel of the drawer = 02 pieces (box 02/02)
- 09 - Rear panel of the drawer = 02 pieces (box 01/02)
- 10 - Base of the drawer = 02 pieces (box 01/02)
- 11 - Decorative apply = 02 pieces (box 01/02)
- 12 - Feet = 06 pieces (box 02/02)
- 13 - Central board = 01 piece (box 01/02)
- 14 - Central partition = 01 piece (box 01/02)
- 15 - Top board = 01 pieces (box 01/02)
- 16 - Rear panel = 01 piece (box 01/02)



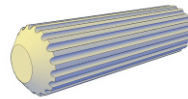
Hardware (box 1/2)



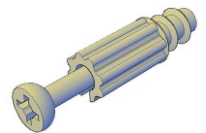
A = 24x



B = 22x



C = 18x



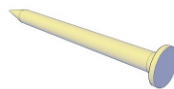
D = 18x



E = 18x



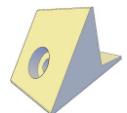
F = 14x



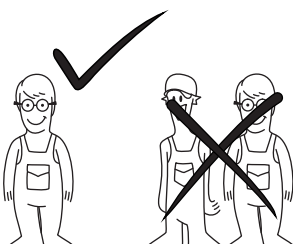
G = 26x



H = 18x



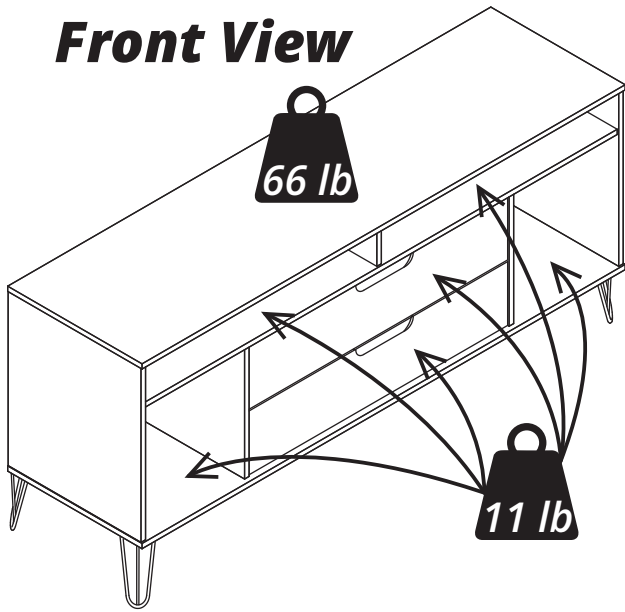
I = 08x



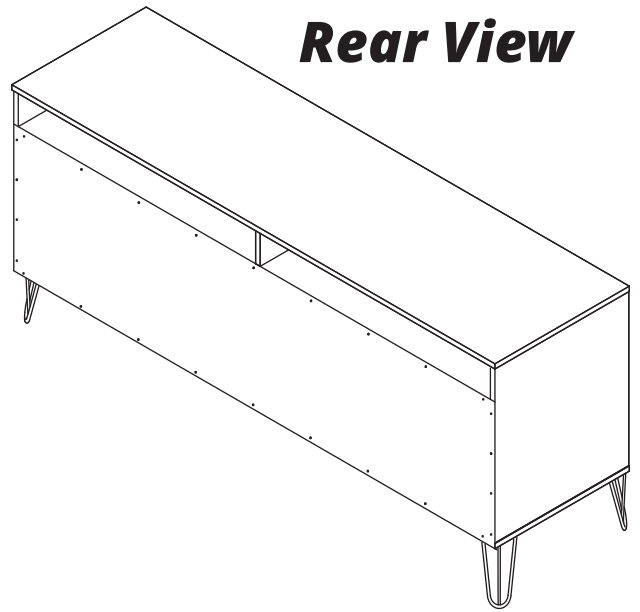
Tools needed (not included)

- Phillips screw driver
- Screw driver

Front View

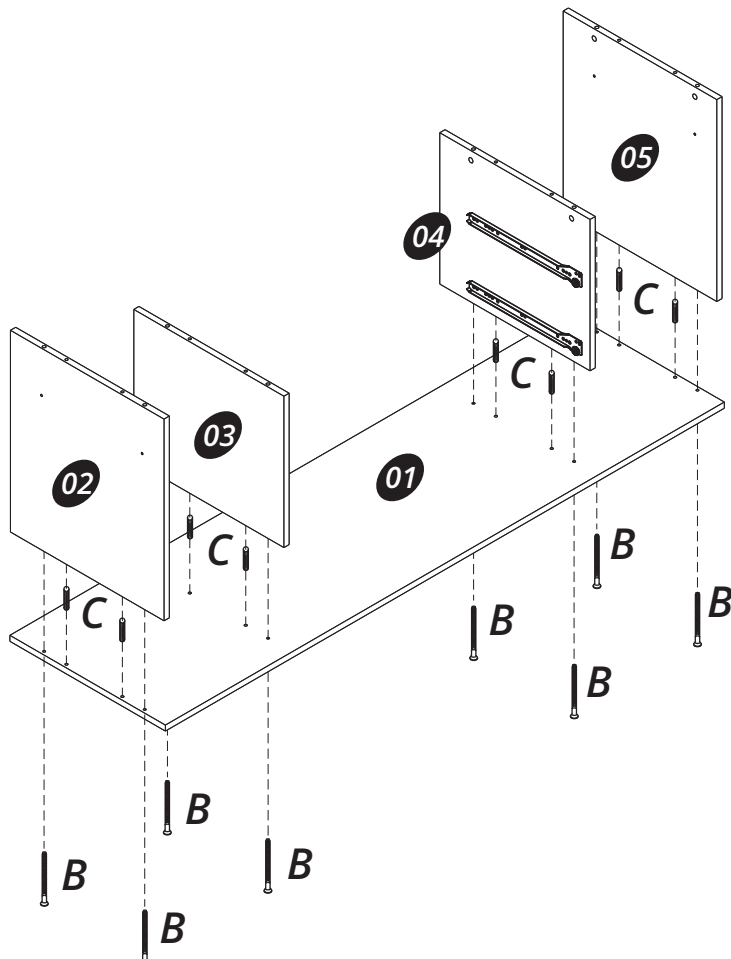


Rear View



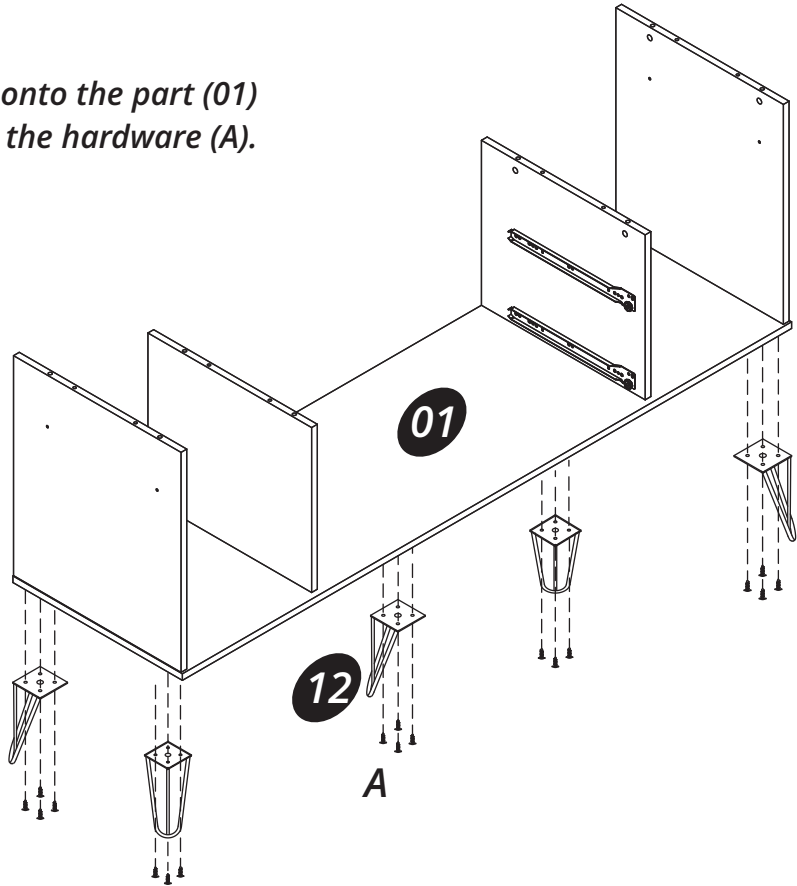
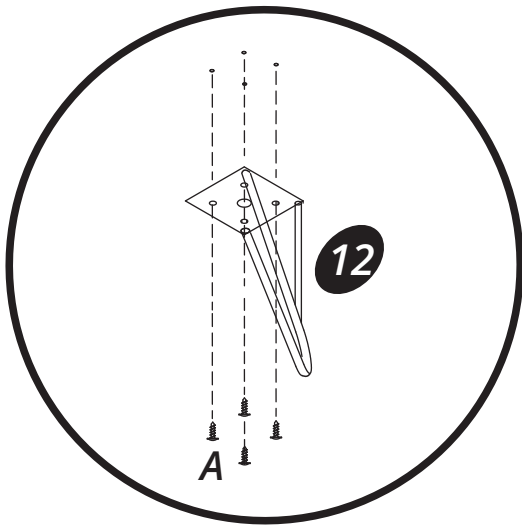
Step 01

Connect the part (01), onto the parts (02), (03), (04) and (05), using the hardware (B + C).



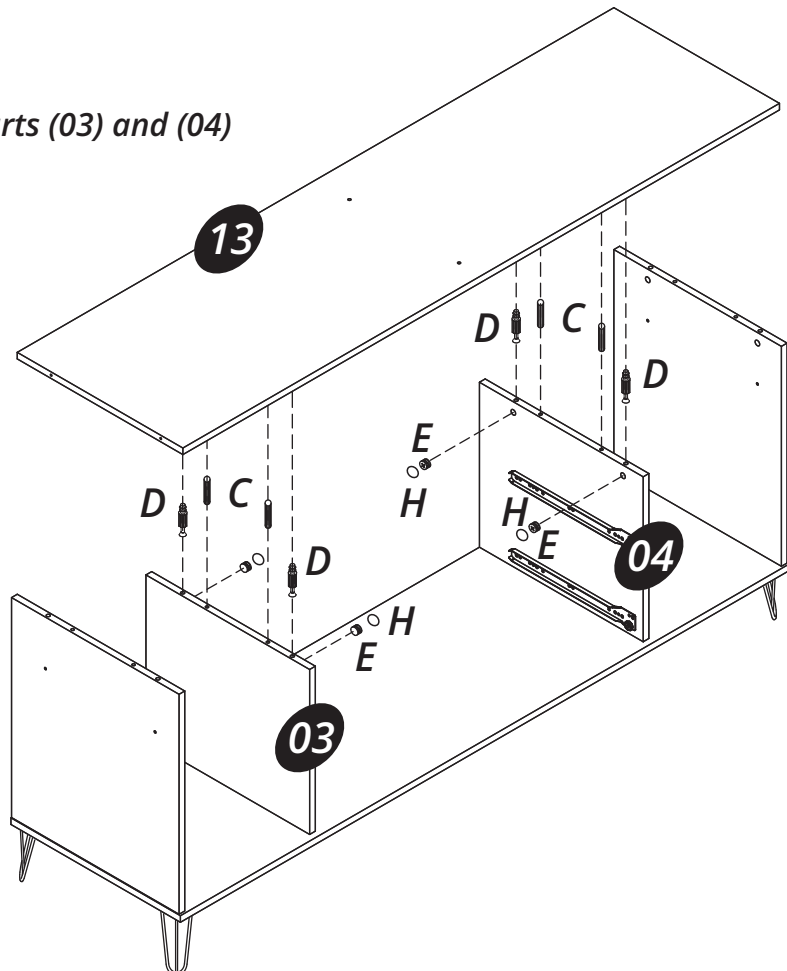
Step 01

Connect the parts (12) onto the part (01) with the hardware (A).



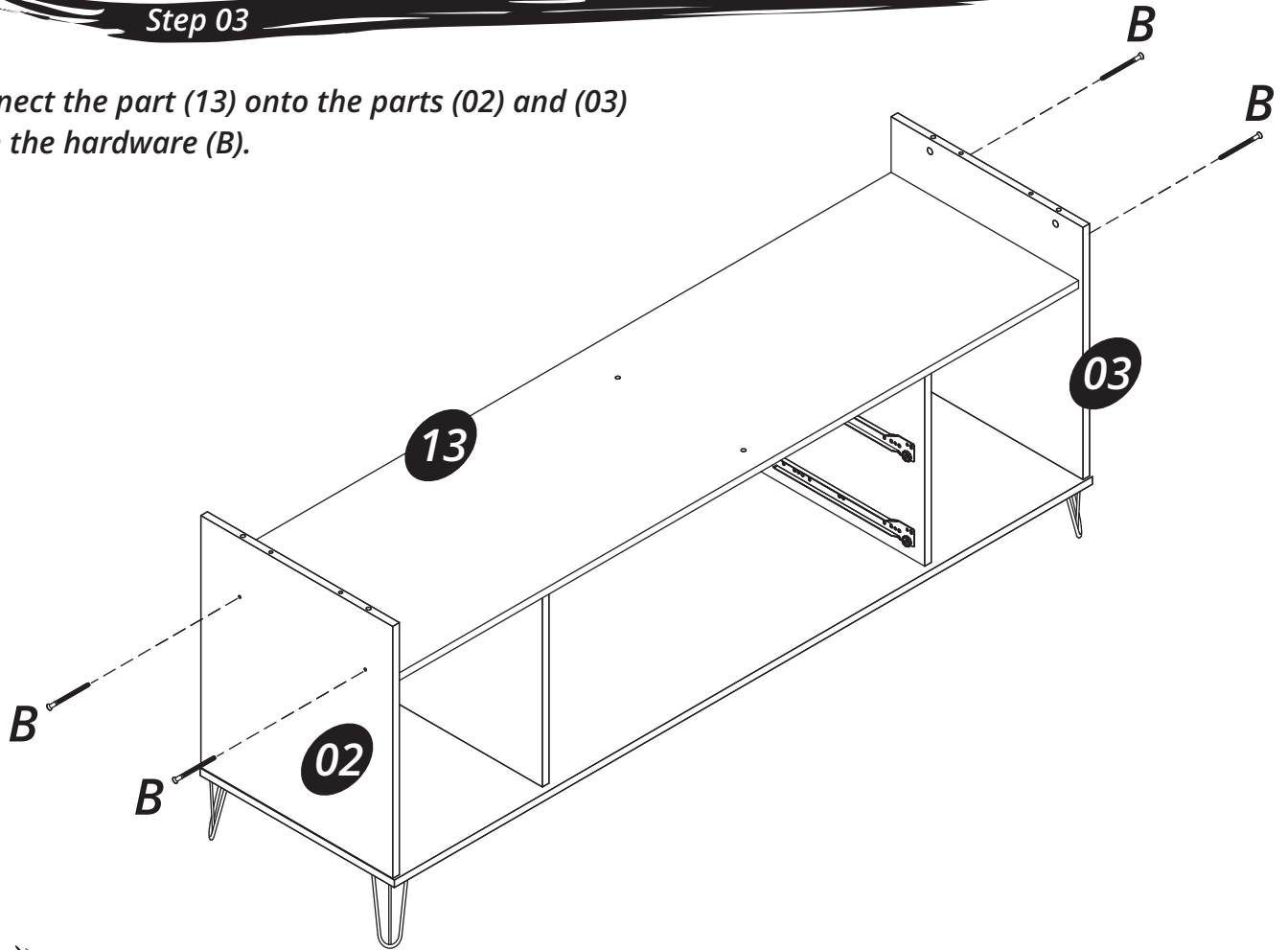
Step 02

Connect the part (13) onto the parts (03) and (04) using the hardware (C) and the hardware (D + E).
Apply the hardware (H) on the hardware (E).



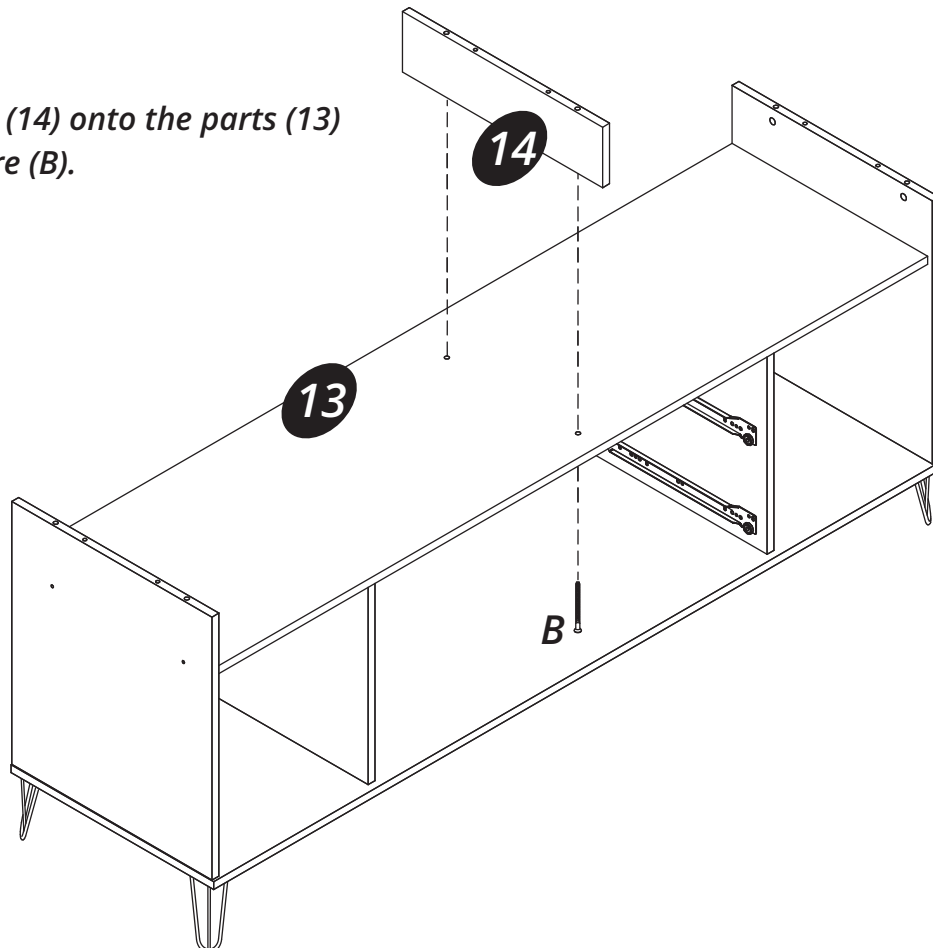
Step 03

Connect the part (13) onto the parts (02) and (03) with the hardware (B).



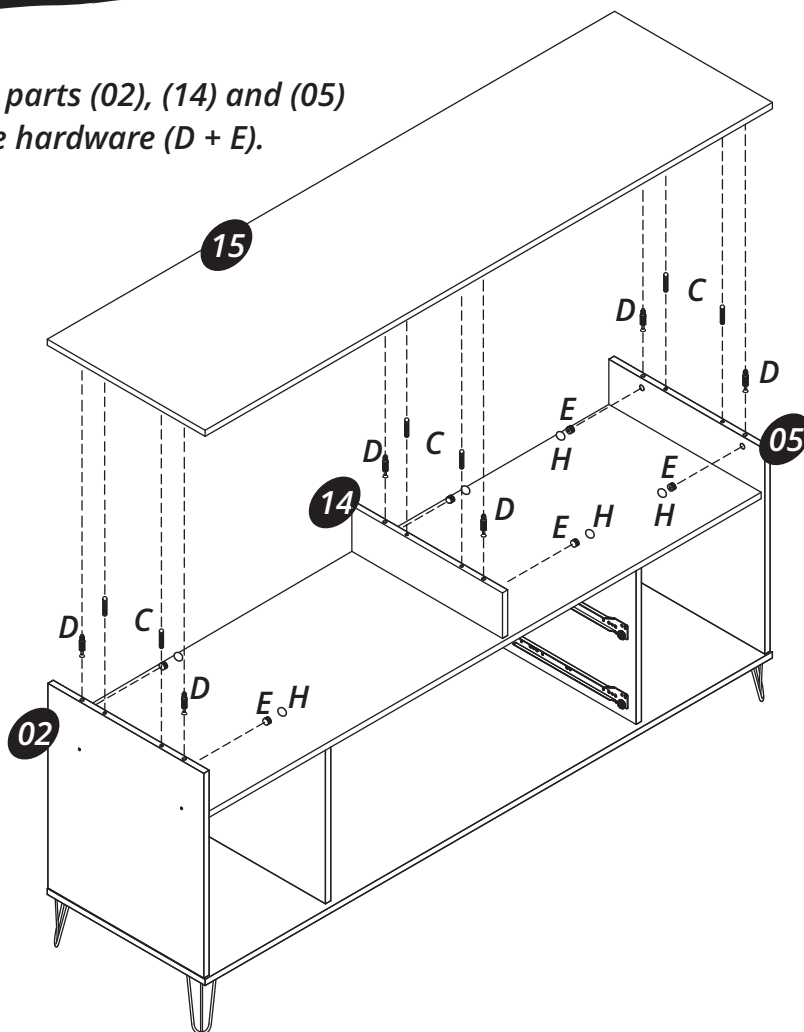
Step 04

Connect the part (14) onto the parts (13) with the hardware (B).



Step 05

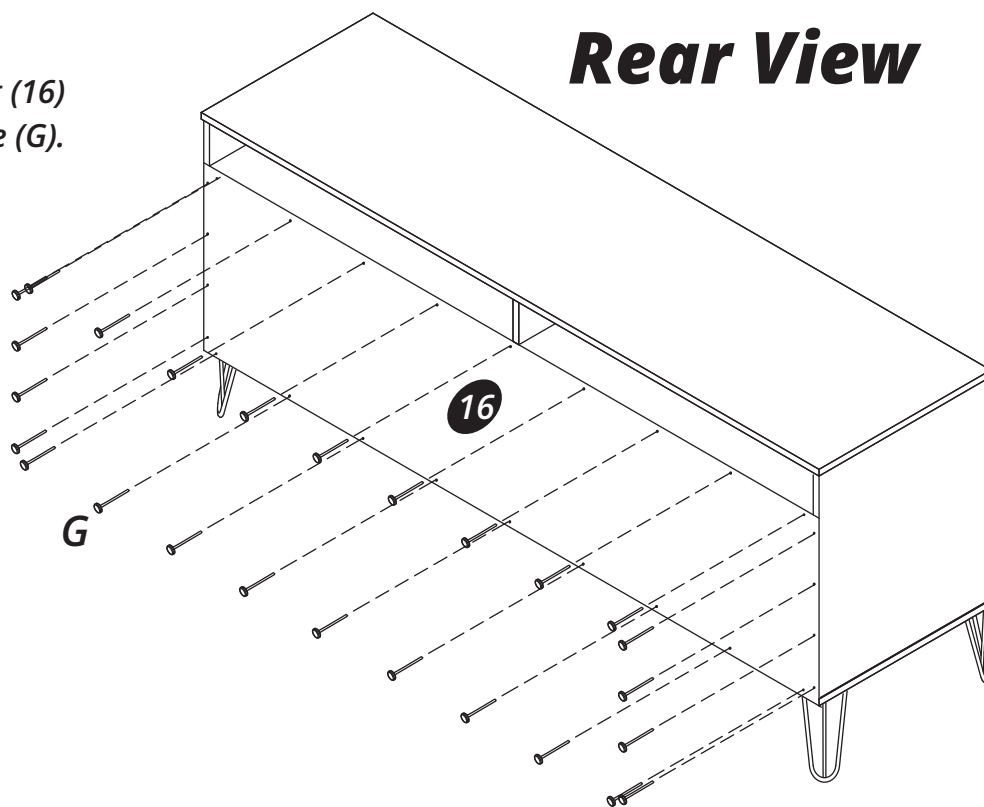
Connect the part (15) onto the parts (02), (14) and (05) using the hardware (C) and the hardware (D + E).
Apply the hardware (H) on the hardware (E).



Step 05

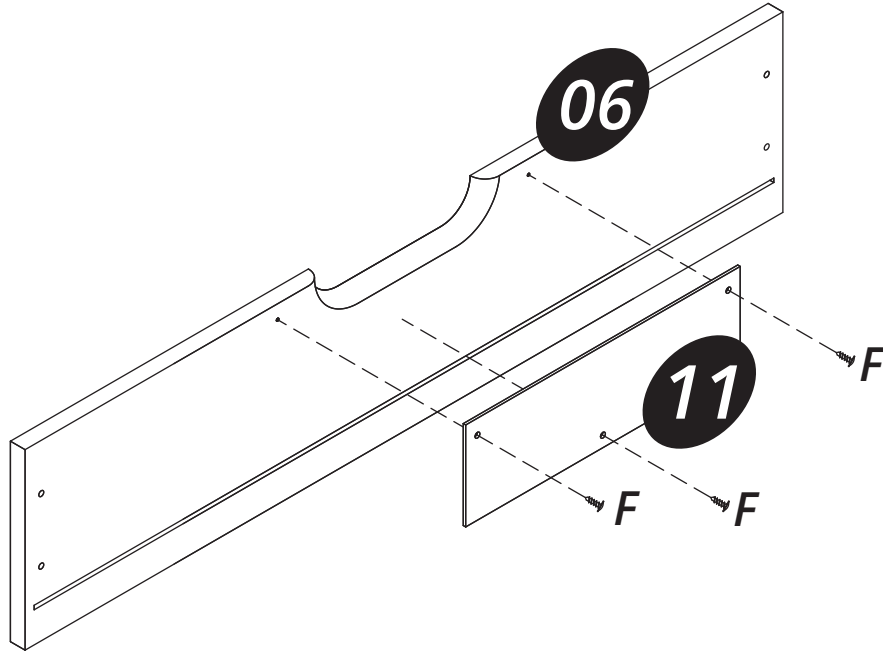
Connect the part (16) with the hardware (G).

Rear View



Step 07

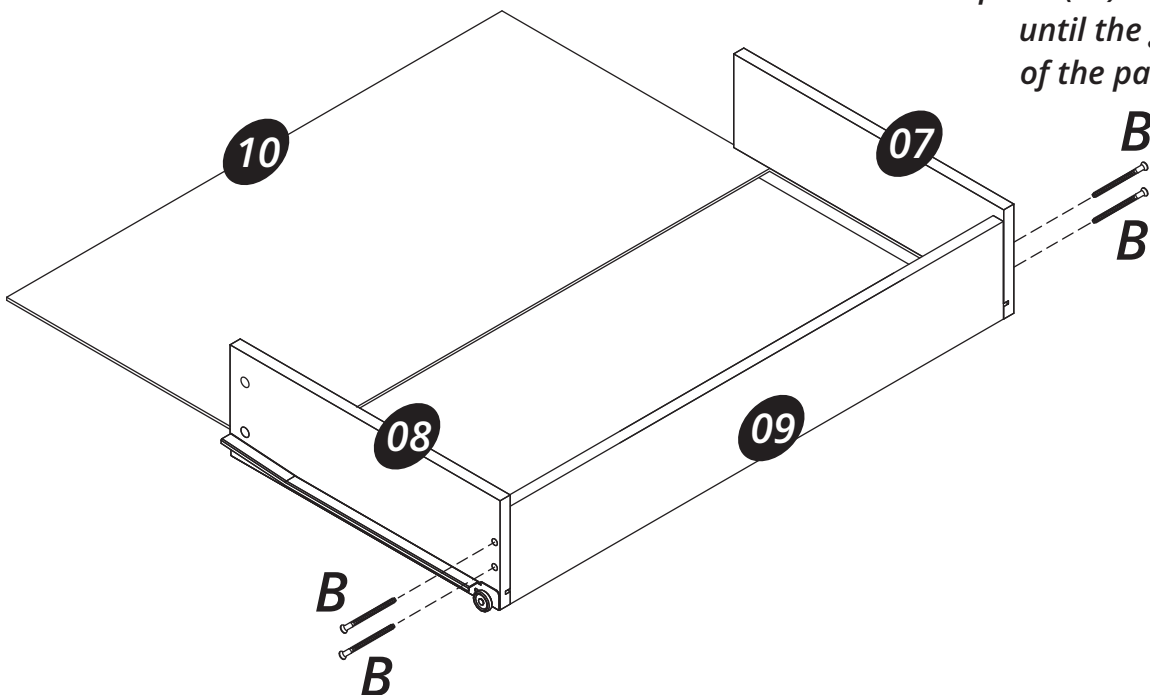
Connect the part (11) onto the part (06) with the hardware (F).



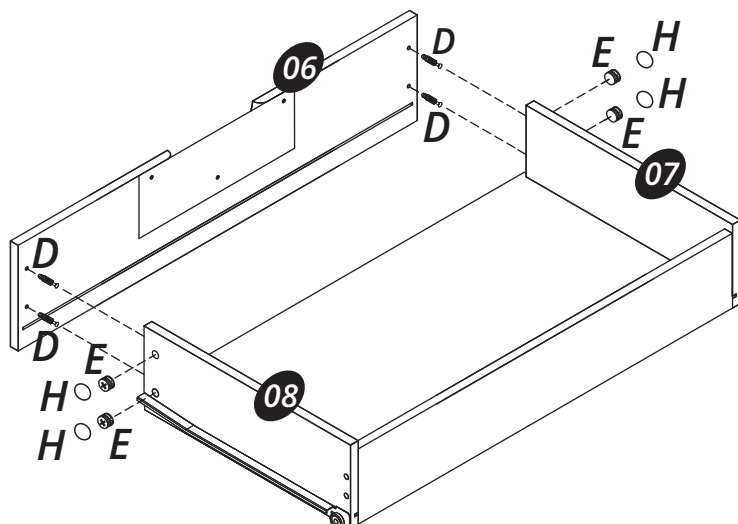
Step 08

Connect the parts (07), (08) and (09) with the hardware (B).

Apply the part (10) in the groove of the parts (07) and (08) until the groove of the part (09).

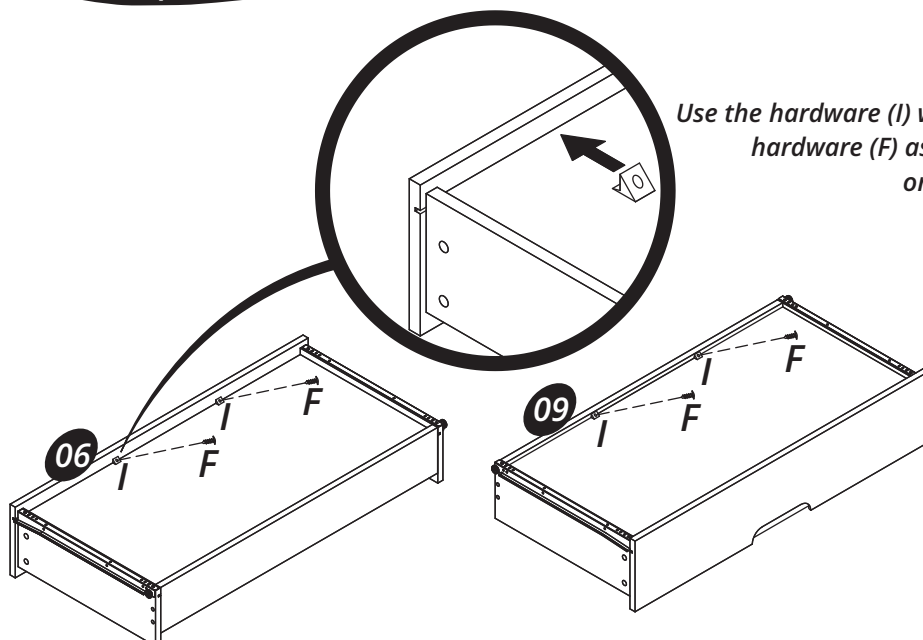


Step 09



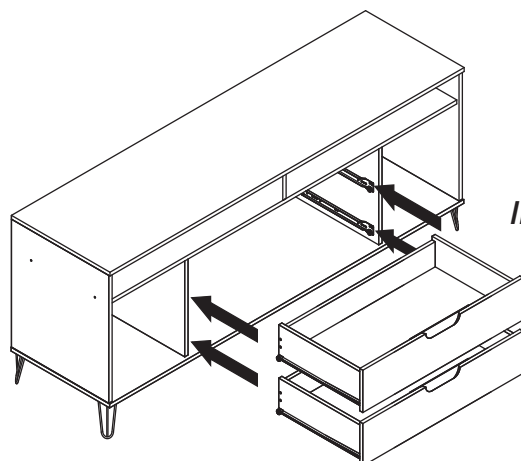
Connect parts (07), (08) and (06) using the hardware (D + E).
Apply hardware (H) on the hardware (E).

Step 09



Use the hardware (I) with the hardware (F) as shown on detail.

Step 09



Install the drawer fitting it into the slides fixed on the side of parts (03) and (04).