

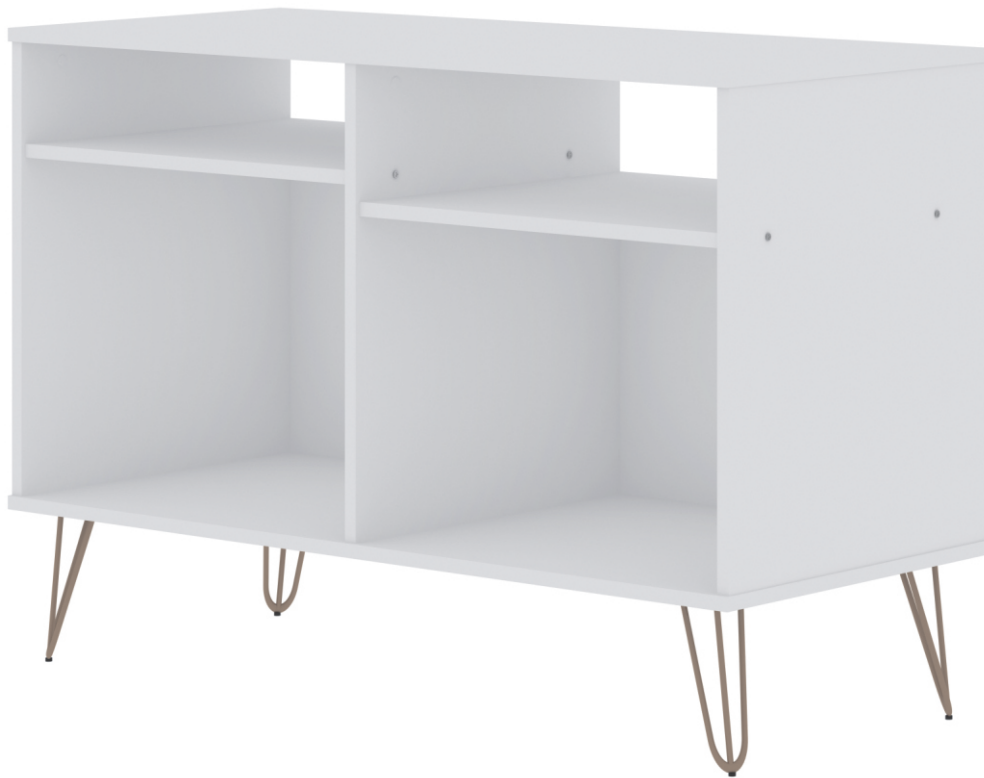


MANHATTAN
COMFORT

888-230-2225

help@manhattancomfort.com

319 RIDGE RD, DAYTON, NJ08810, NEW JERSEY - UNITED STATES

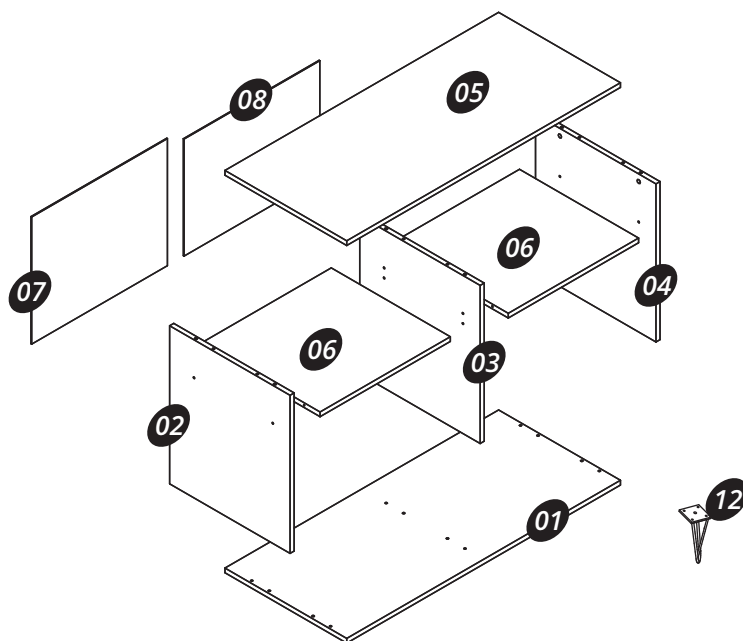


Rockefeller

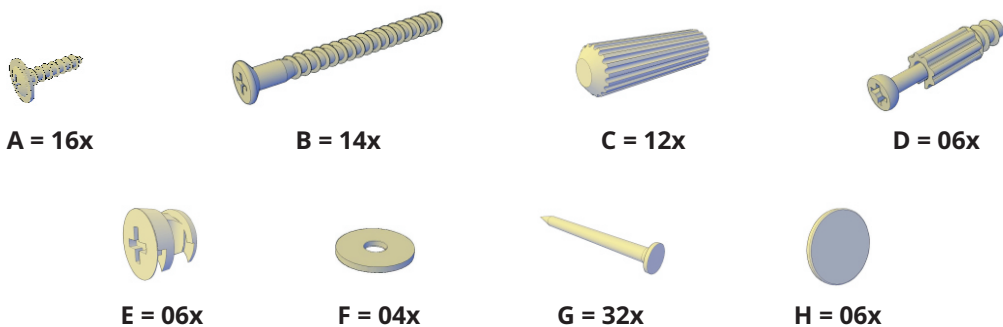
39.37" TV Stand

Included in the package

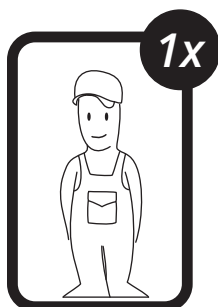
Part	Description	Qty	Box
01	Base Board	01	01
02	Left Side Panel	01	01
03	Partition Panel	01	01
04	Right Side Panel	01	01
05	Top Panel	01	01
06	Shelf	02	01
07	Bigger Rear Panel	01	01
08	Smaller Rear Panel	01	01
12	Feet	04	01



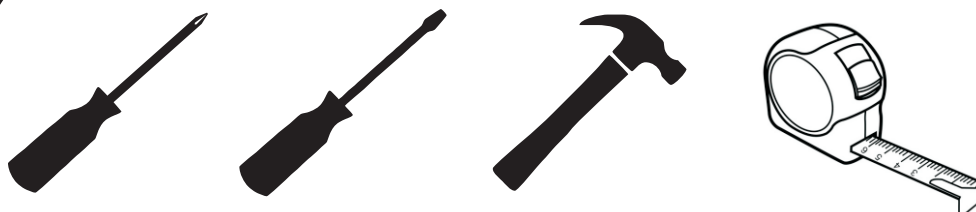
Hardware

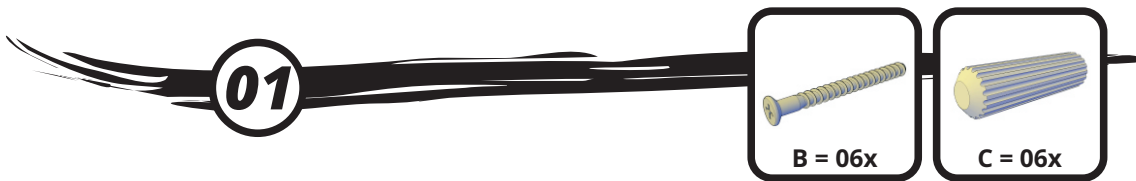
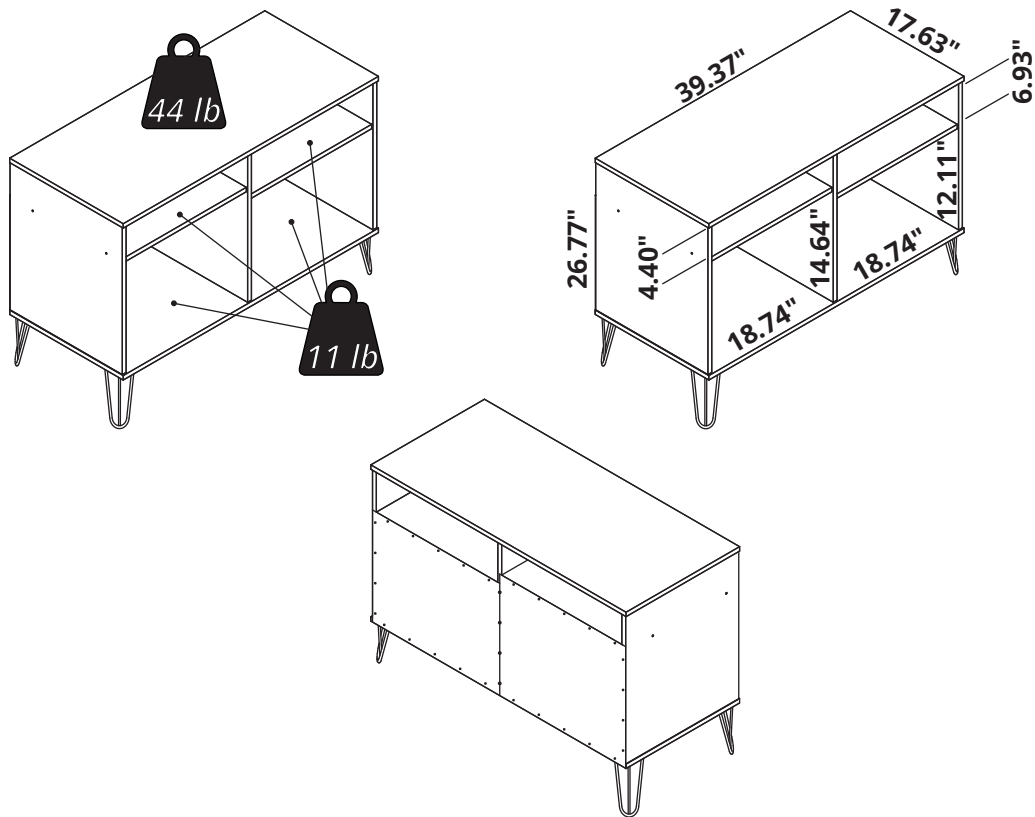


Tools needed (not included)

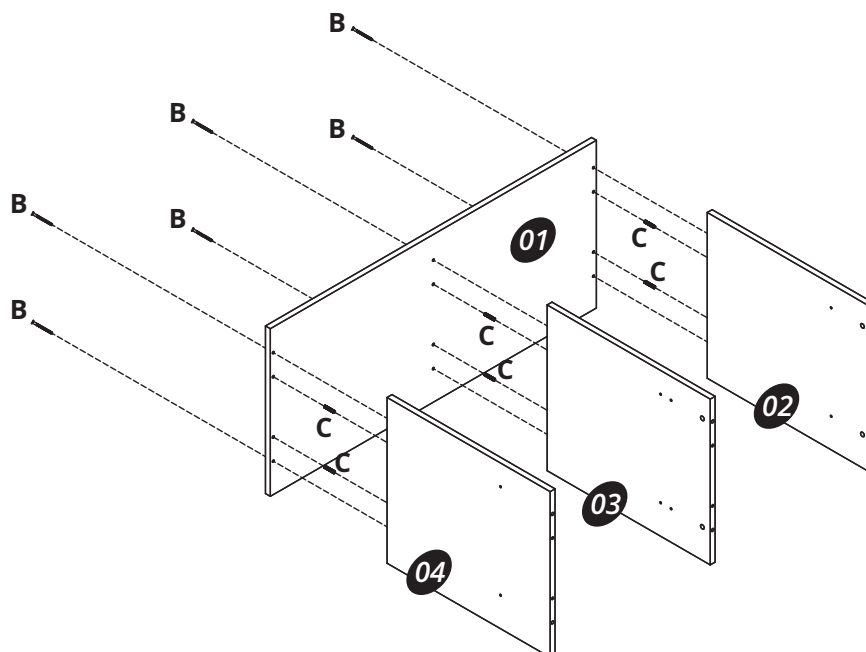


1x





Connect the parts (02, 03, 04) onto the part (01) with the hardware (B+C).

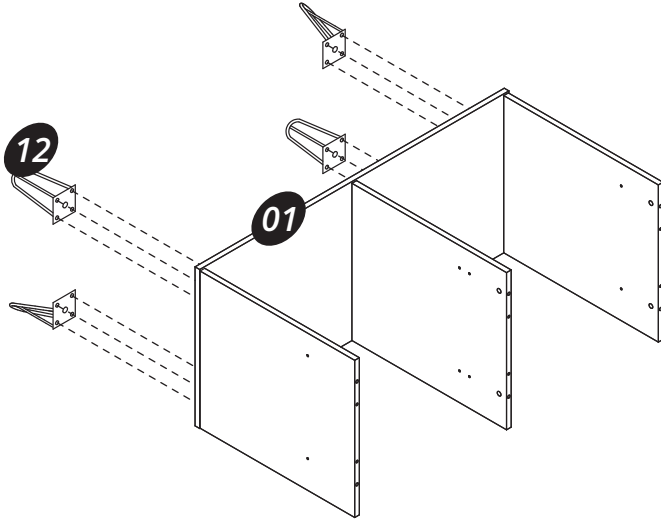
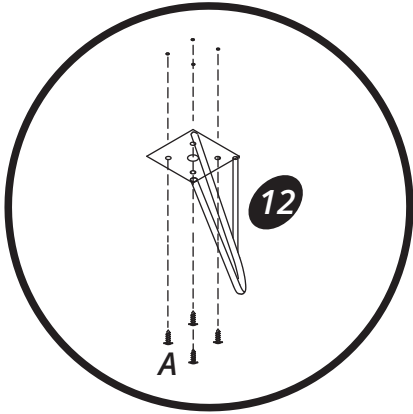


02

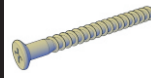


A = 16x

Connect the parts (12) onto the part (01) with the hardware (A).

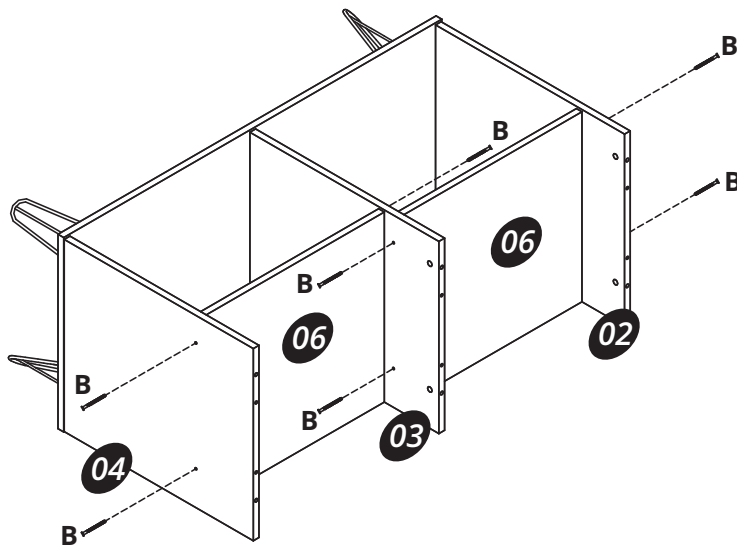


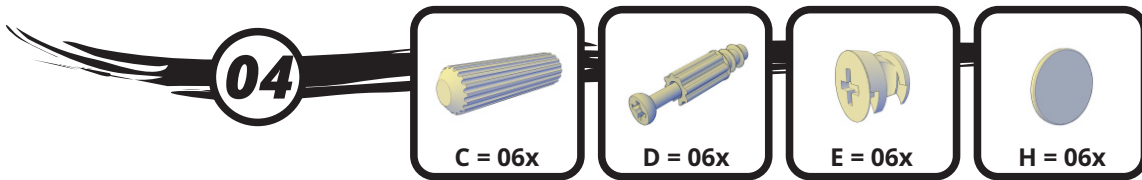
03



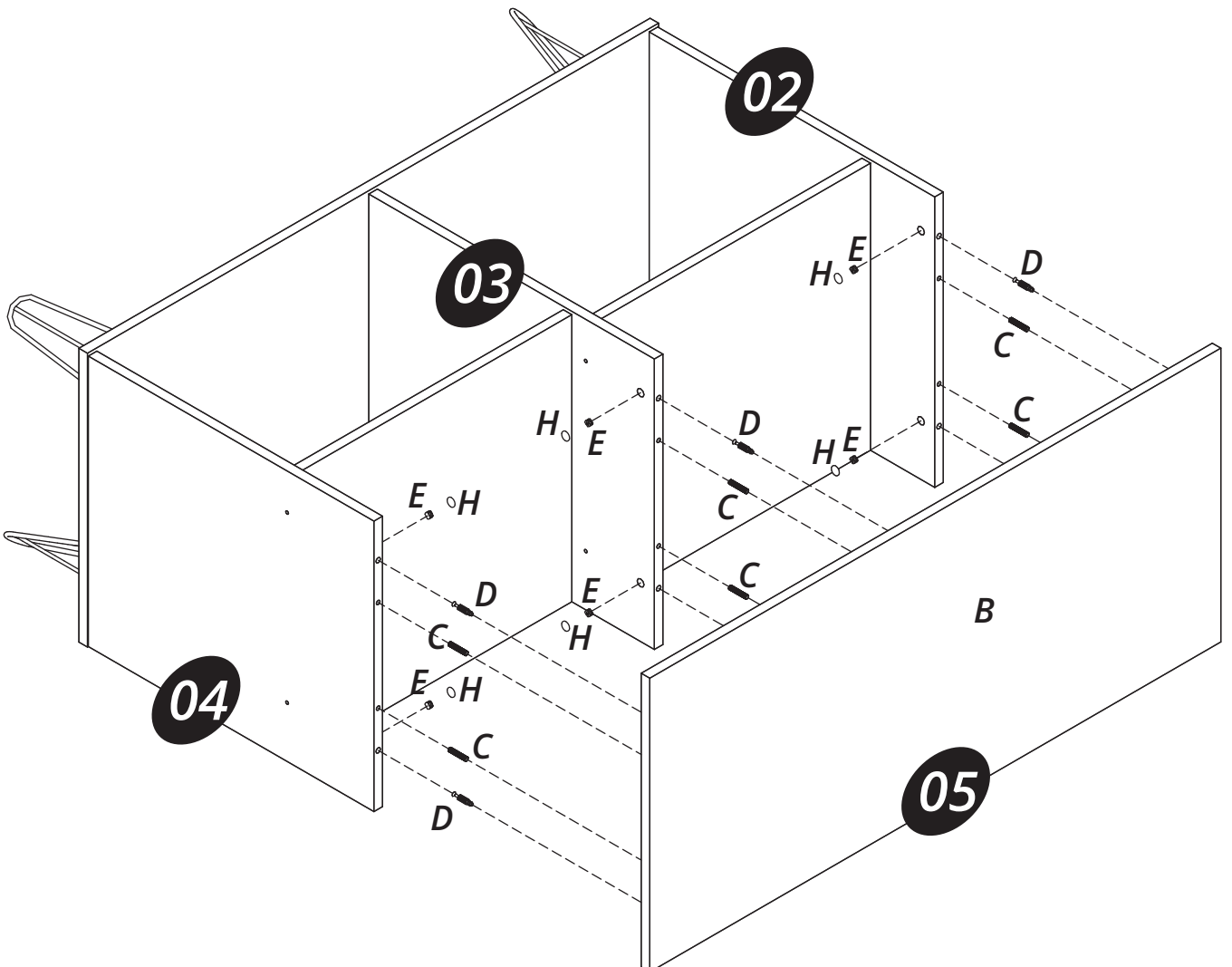
B = 08x

Connect the parts (06) onto the parts (02, 03, 04) with the hardware (B).

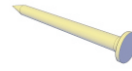




Connect the part (05) onto the parts (02, 03, 04) with the hardware (C + D + E). Apply the hardware (H) onto the hardware (E).

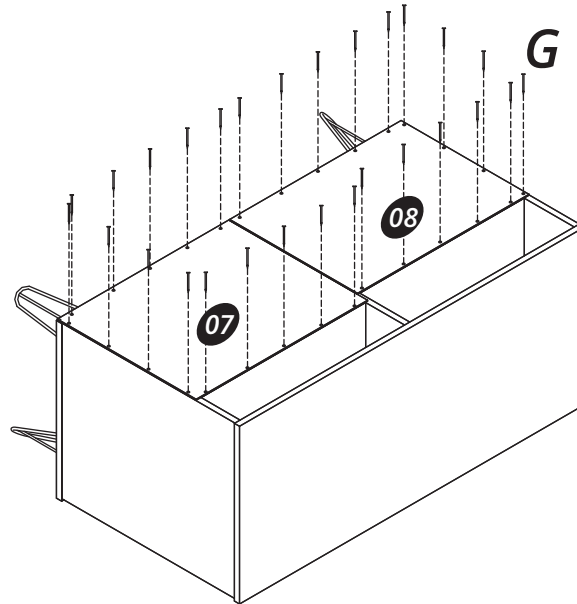


05

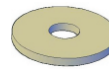


G = 28x

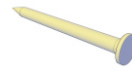
Connect the parts (07, 08) with the hardware (G).



06



F = 04x



G = 04x

Connect the parts (07, 08) with the hardware (F + G).

