



MANHATTAN COMFORT

888-230-2225

help@manhattancomfort.com

319 RIDGE RD, DAYTON, NJ08810, NEW JERSEY - UNITED STATES



Hampton

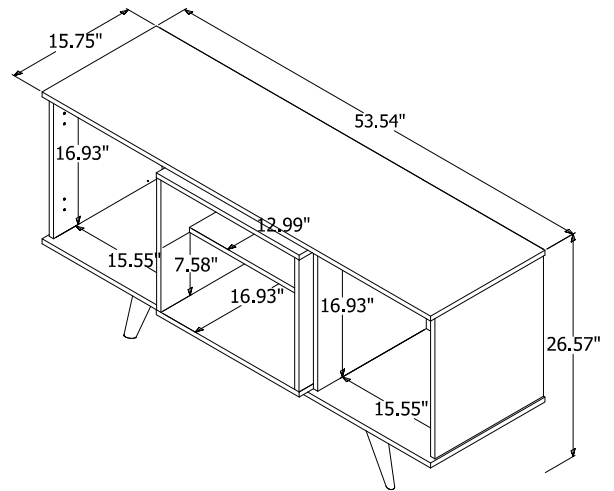
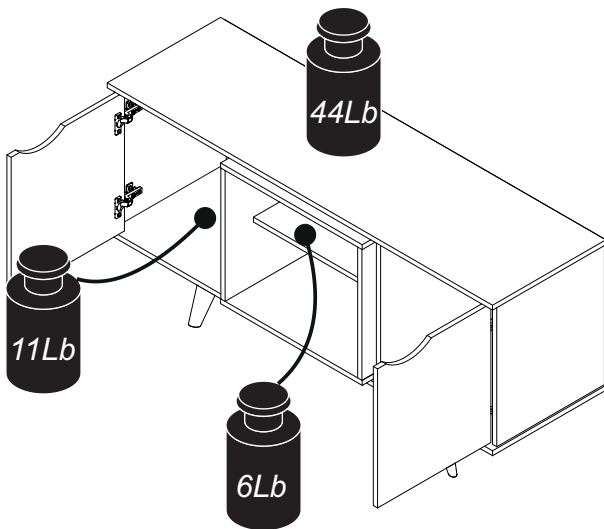
TV stand 53.54"

Technical information

Maximum supported weight

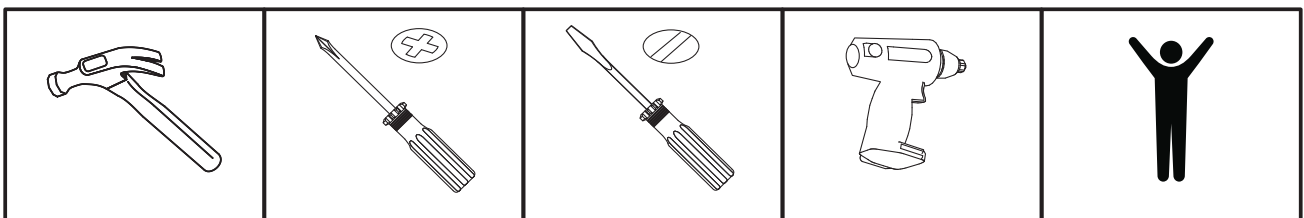
Dimension:

W: 53.54" H: 26.57" D: 15.75"

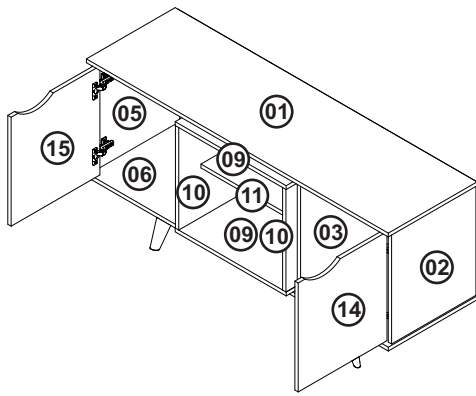


ASSEMBLY VIDEO

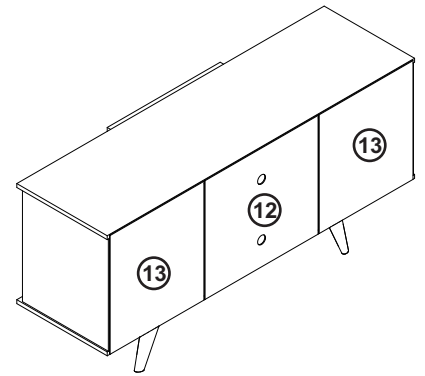
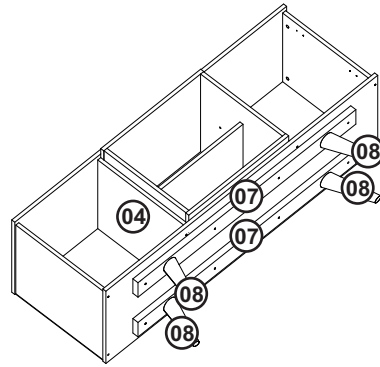
Tools needed (not included)



FRONT VIEW



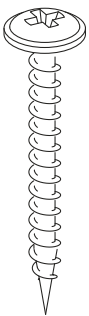
REAR VIEW



PART	DESCRIPTION	QUANTITY
01	TOP	01
02	RIGHT SIDE	01
03	RIGHT PARTITION	01
04	LEFT PARTITION	01
05	LEFT SIDE	01
06	BASE	01
07	FEET STRUCTURE	02
08	FEET	04
09	TOP/ BASE NICHE	02
10	SIDE NICHE	02
11	SHELF NICHE	01
12	BIGGER BACK COVER	01
13	SMALLER BACK COVER	02
14	RIGHT DOOR	01
15	LEFT DOOR	01

HARDWARE

A 20x



B 08x



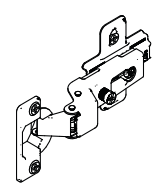
C 08x



D 16x



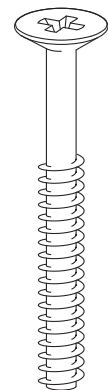
E 04x



G 01x



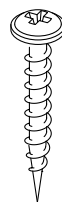
H 04x



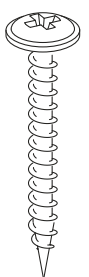
I 48x



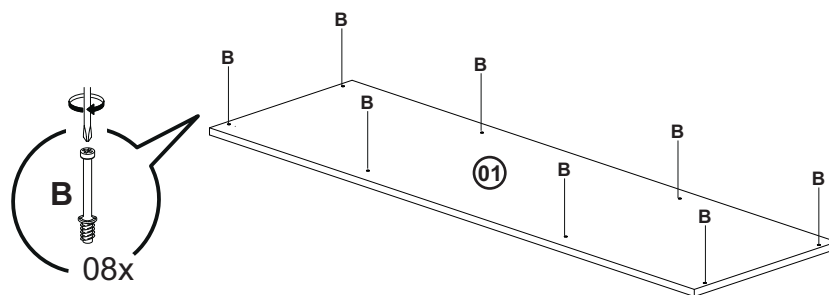
J 02x



F 08x

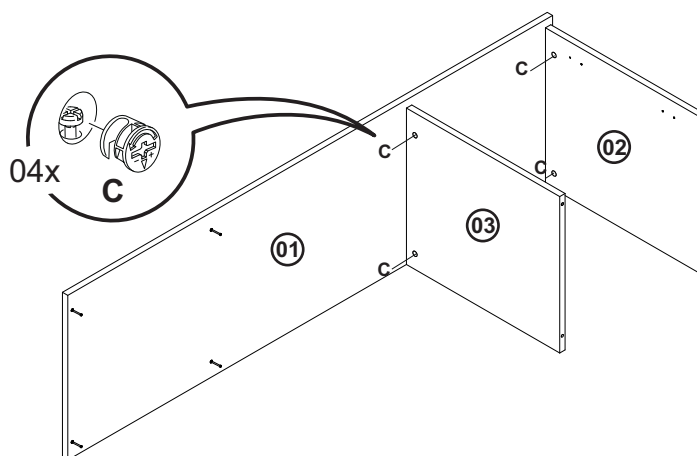


STEP 1



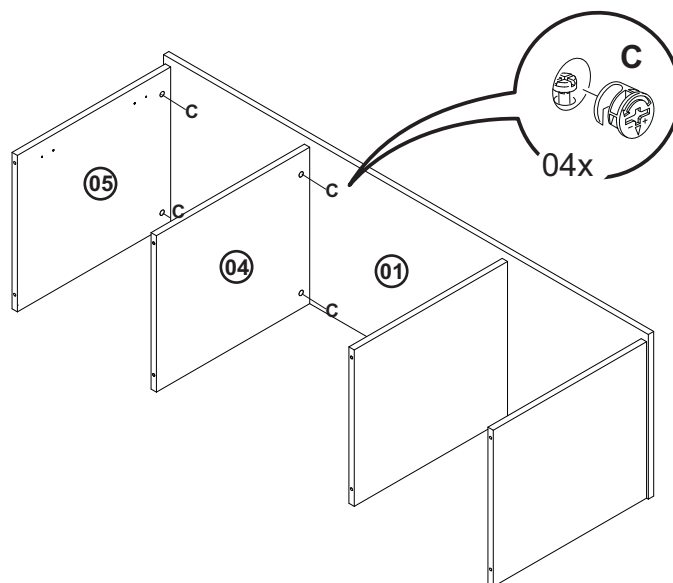
- Insert the hardware (B) in the part (01).

STEP 2



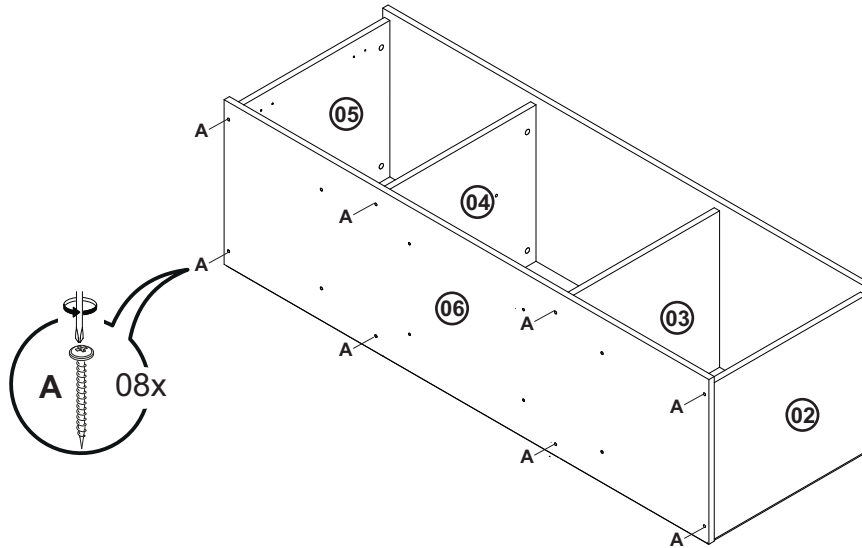
- Connect the parts (01, 02, 03) with the hardware (C).

STEP 3



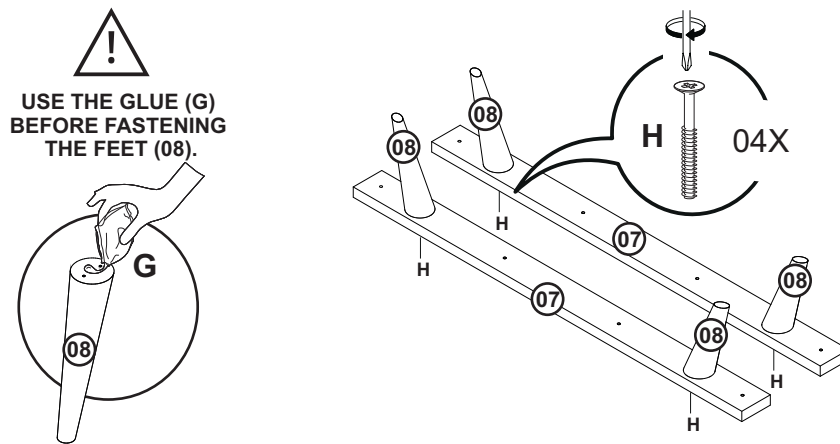
- Connect the parts (01, 04, 05) with the hardware (C).

STEP 4



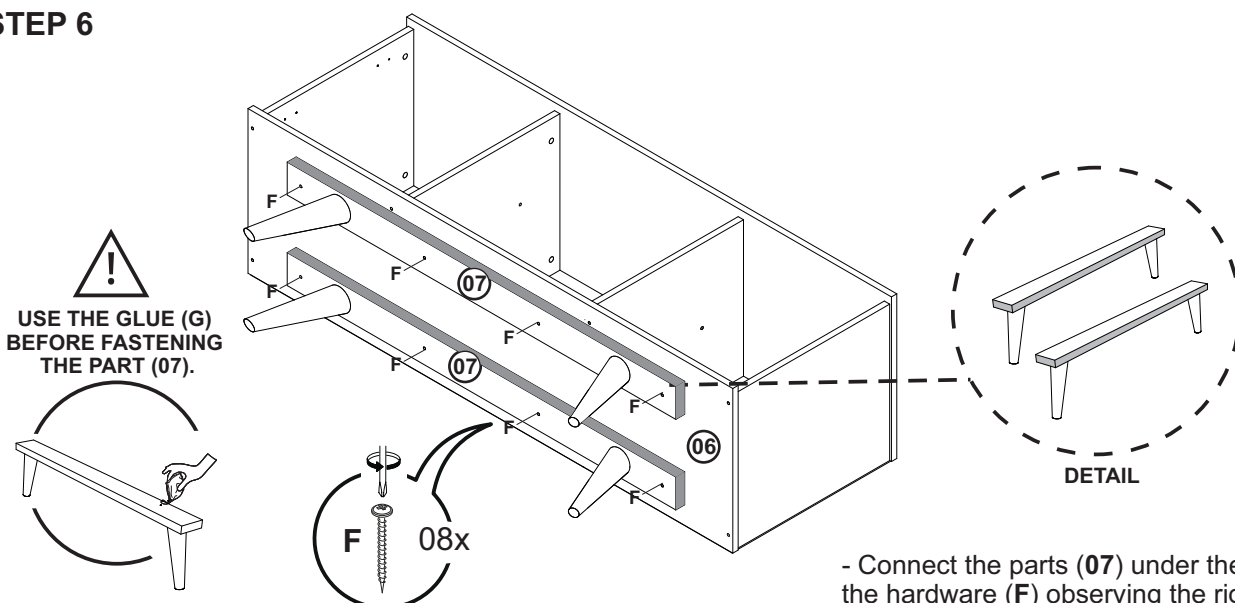
- Connect the part (06) onto the parts (02, 03, 04, 05) with the hardware (A).

STEP 5



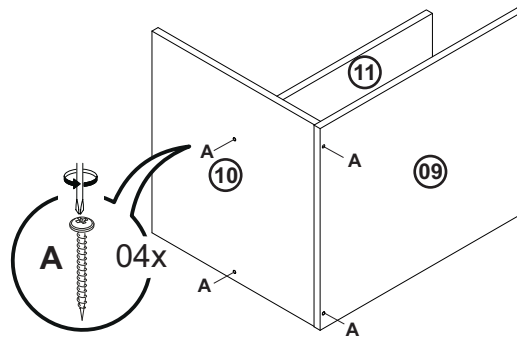
- Connect the parts (08) onto the parts (07) with the hardware (H).

STEP 6



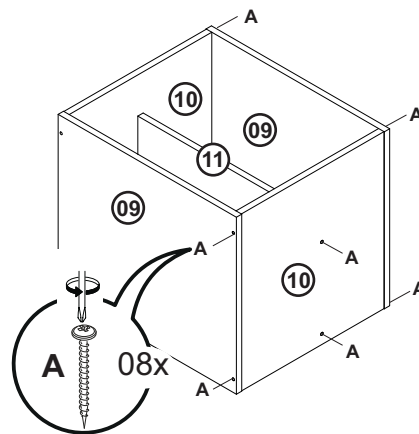
- Connect the parts (07) under the part (06) with the hardware (F) observing the right position of the finished edges as shown on detail.

STEP 7



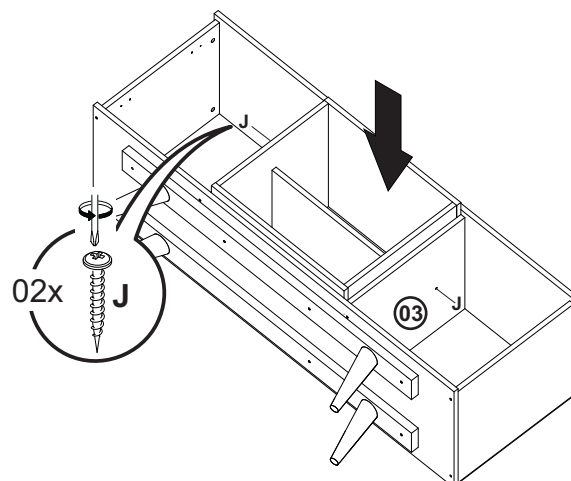
- Connect the parts (09, 10, 11) with the hardware (A).

STEP 8



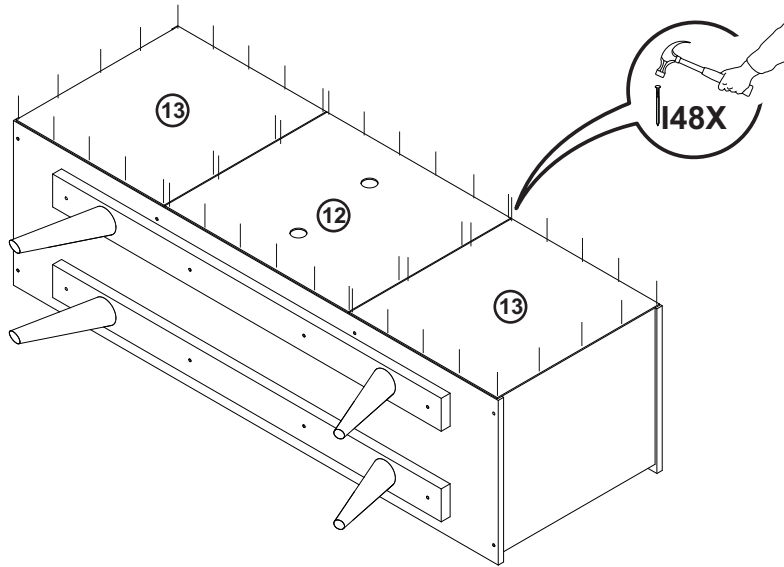
- Connect the parts (09, 10, 11) with the hardware (A).

STEP 9



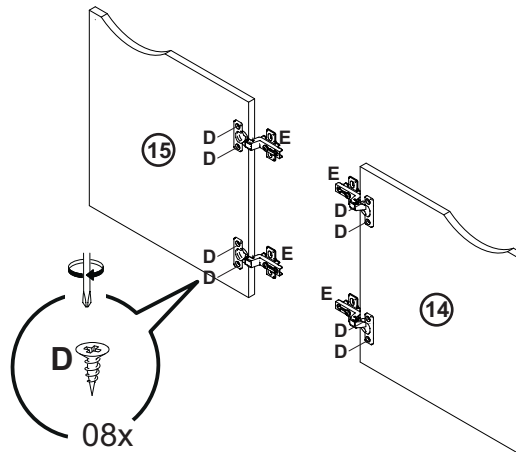
- Insert the niche and connect onto the parts (03,04) with the hardware (J).

STEP 10



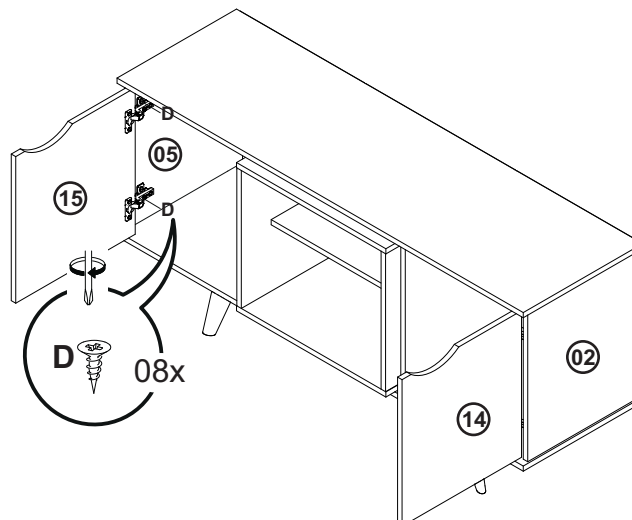
- Connect the parts (12, 13) with the hardware (1).

STEP 11



- Connect the hinges (E) into the parts (14, 15) with the hardware (D).

STEP 12



- Connect the part (14) onto the part (02) and the part (15) onto the part (05) with the hardware (D).