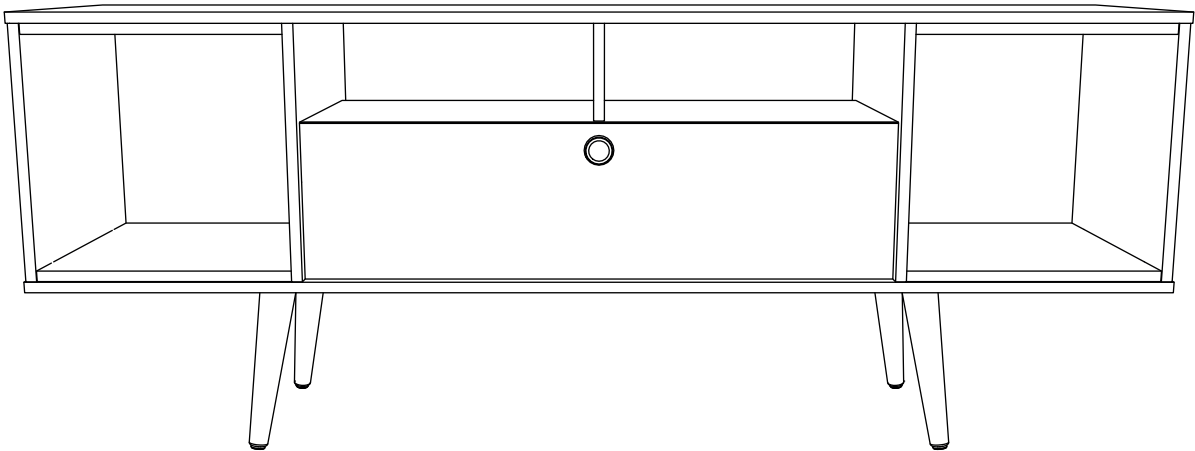




MANHATTAN
COMFORT

ASSEMBLY INSTRUCTIONS



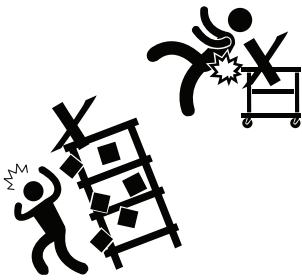
COD: 222500

REV. 02

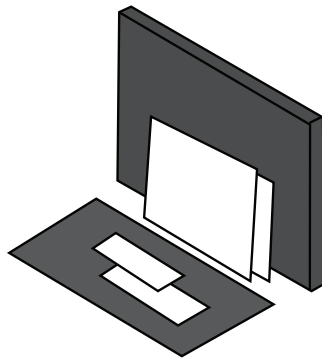
IMPORTANT REMARKS



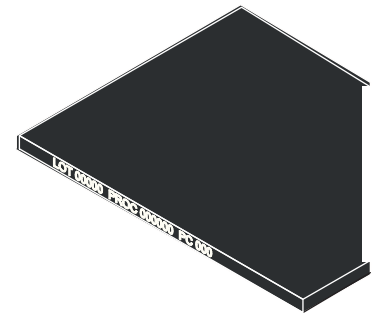
Never climb or lean on the furniture.
You may suffer serious accidents.



Use the packaging to cover the
assembly area and separate
all parts.



Identify the parts by observing the
number printed on their edges.



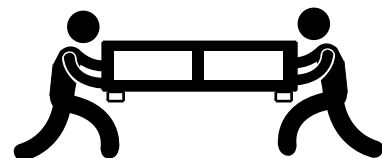
CARE INSTRUCTIONS



Wipe clean using a damp cloth and a mild cleaner.
Do not use abrasive and chemical products.



HANDLING

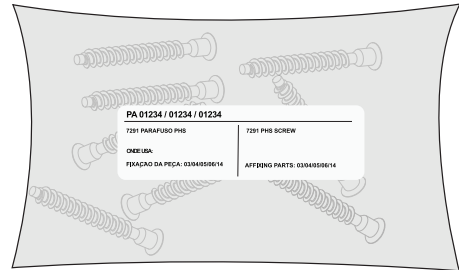


Move the piece carefully, don't drag it. Ask
for someone else's help to do so.

HARDWARE



Identify and separate the hardware used in the assembly. There's a label on each package identifying the parts and where to use them.



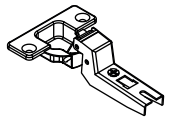
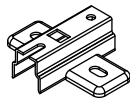
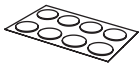
STICKER-16x

cod. 9425-2x

cod. 1668-20x

cod. 8471-4x

cod. 8903-2x



A

B

C

D

E

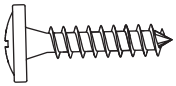
cod. 6533-16x

DOOR HANDLE-1x

cod. 10063-24x

cod. 0357-20x

cod. 7519-8x



F

G

H

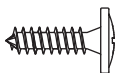
I

J

cod. 8056-16x

cod. 9842-1x

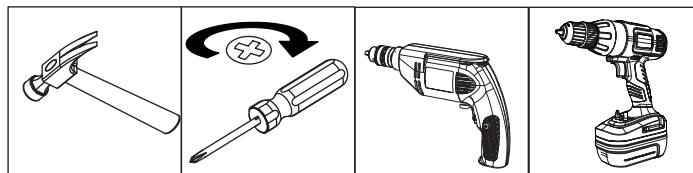
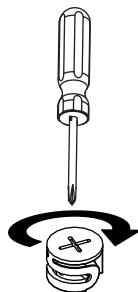
cod. 9895-24x



K

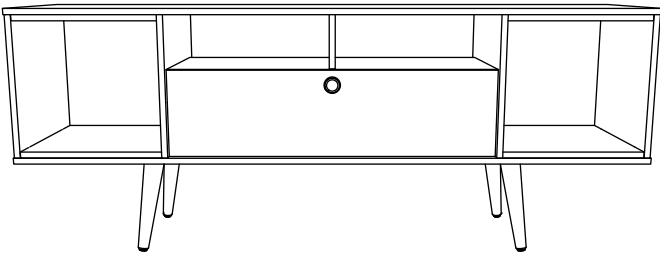
L

M

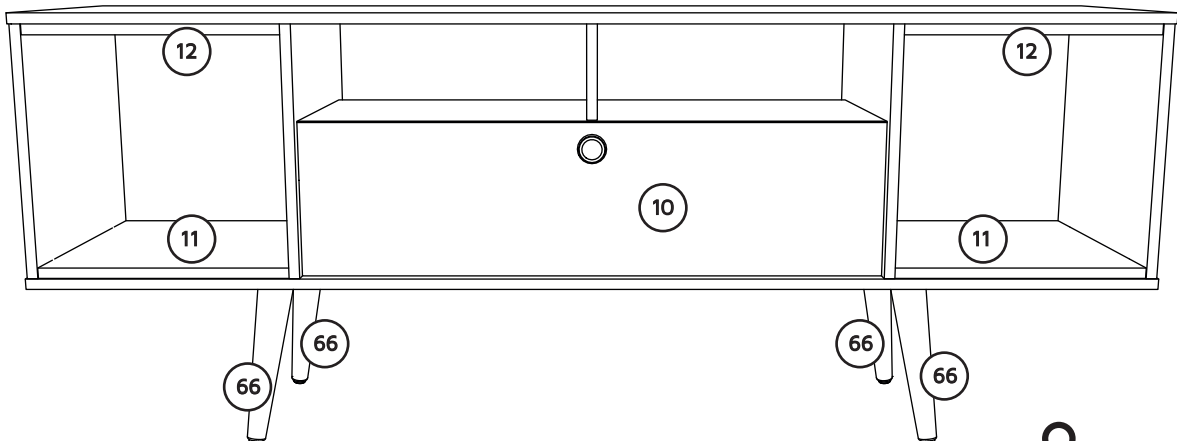
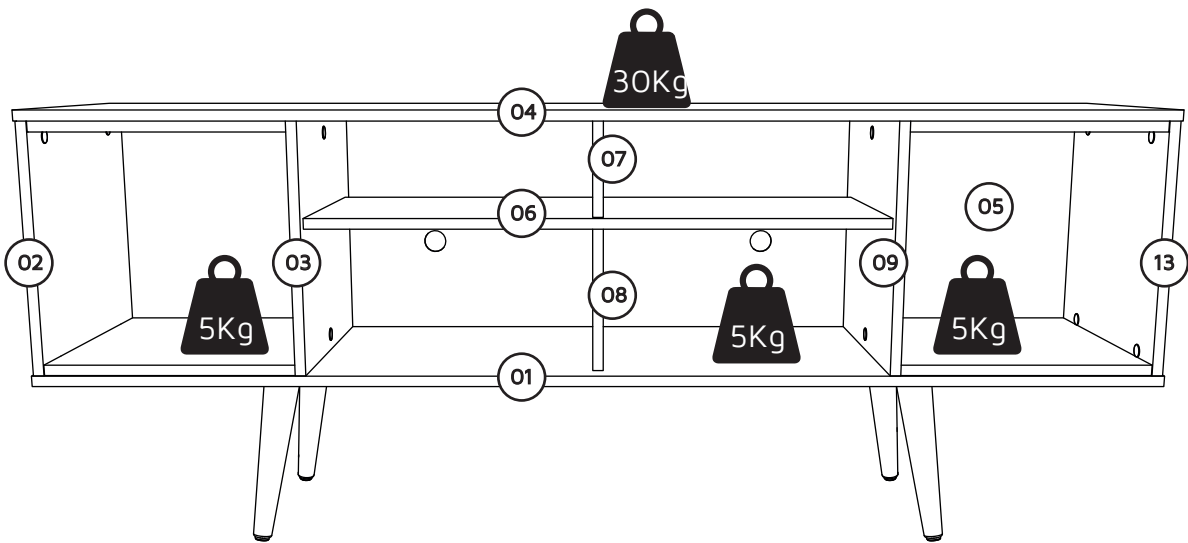



DESCRIPTION

W:63.00in H:24.65in D: 15.11in
L:1600mm A:626mm P: 384mm

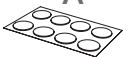







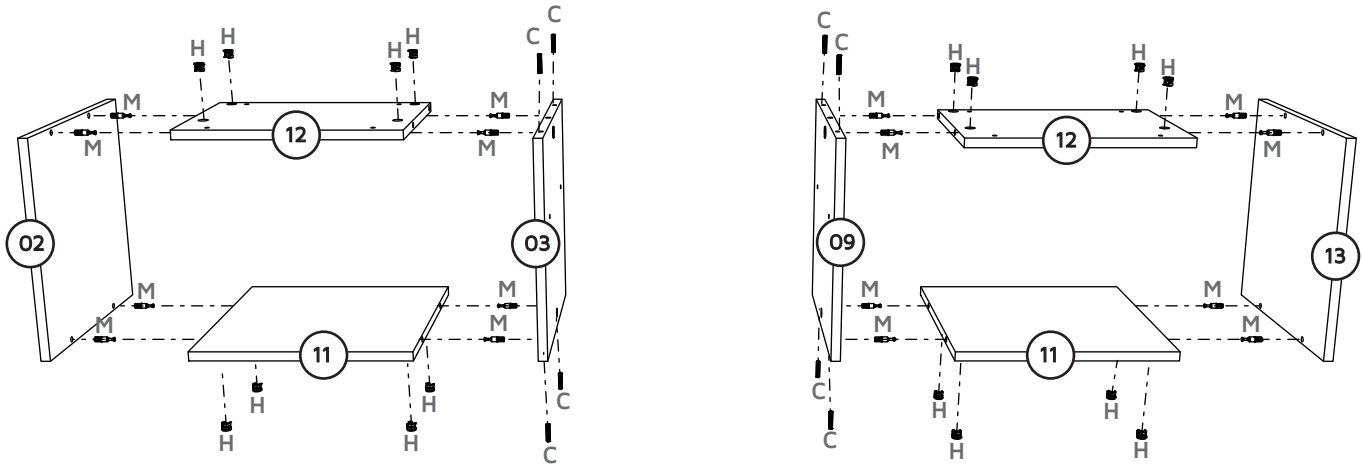
CÓD:222500			
PART	QUANTITY	DESCRIPTION	BOX
01	01	BASE	01
02	01	LEFT SIDE	01
03	01	LEFT DIVIDER	01
04	01	TOP BOARD	01
05	01	BACK PLATE	01
06	01	SHELF	01
07	01	SHORT DIVIDER	01
08	01	LONG DIVIDER	01
09	01	RIGHT DIVIDER	01
10	01	DOOR	01
11	02	LONG NICHE	01
12	02	SHORT NICHE	01
13	01	RIGHT SIDE	01
66	04	LEG	01



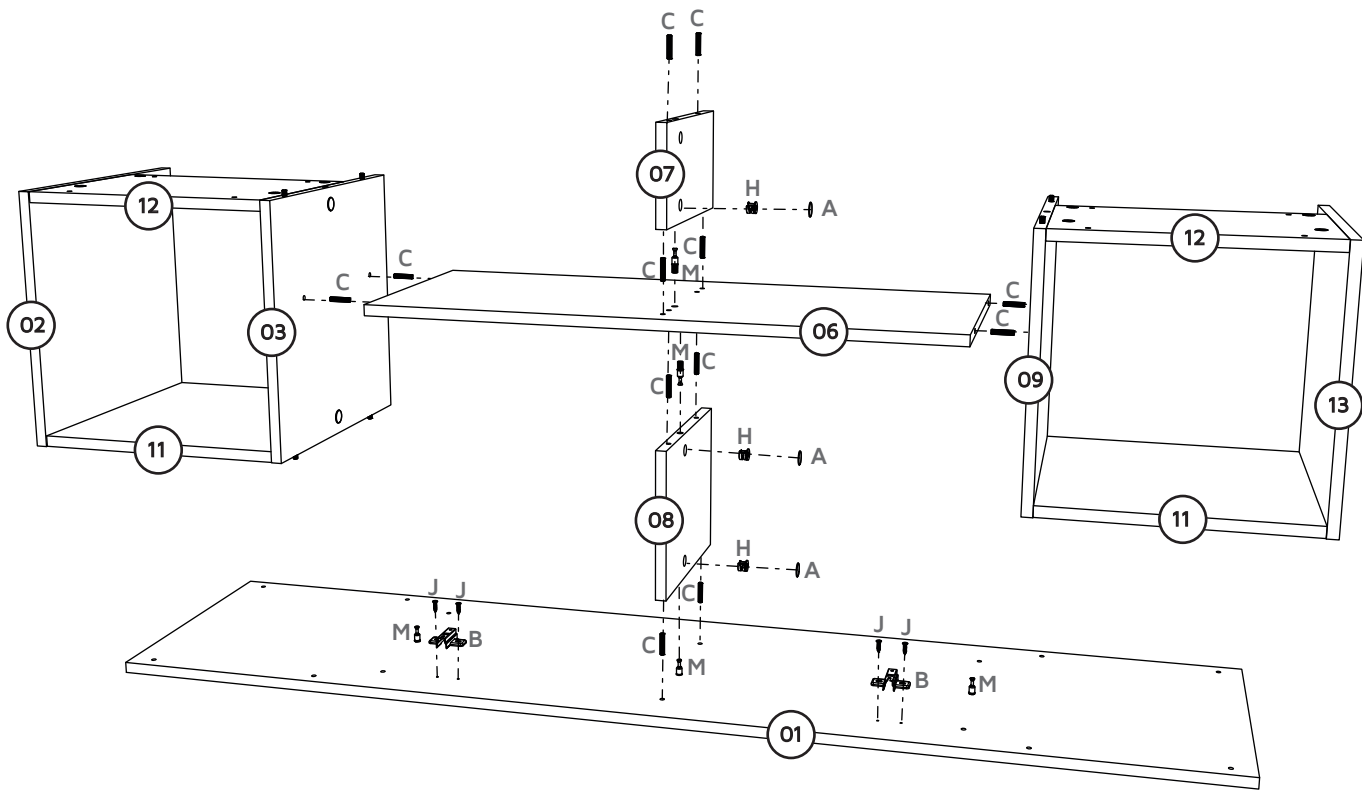
 30Kg = 66Lb
5Kg = 11Lb

01

STICKER A 	COD. 9425 B 	COD. 1668 C 	COD. 10063 H 	COD. 7519 J 	COD. 9895 M 
---	---	--	--	---	---

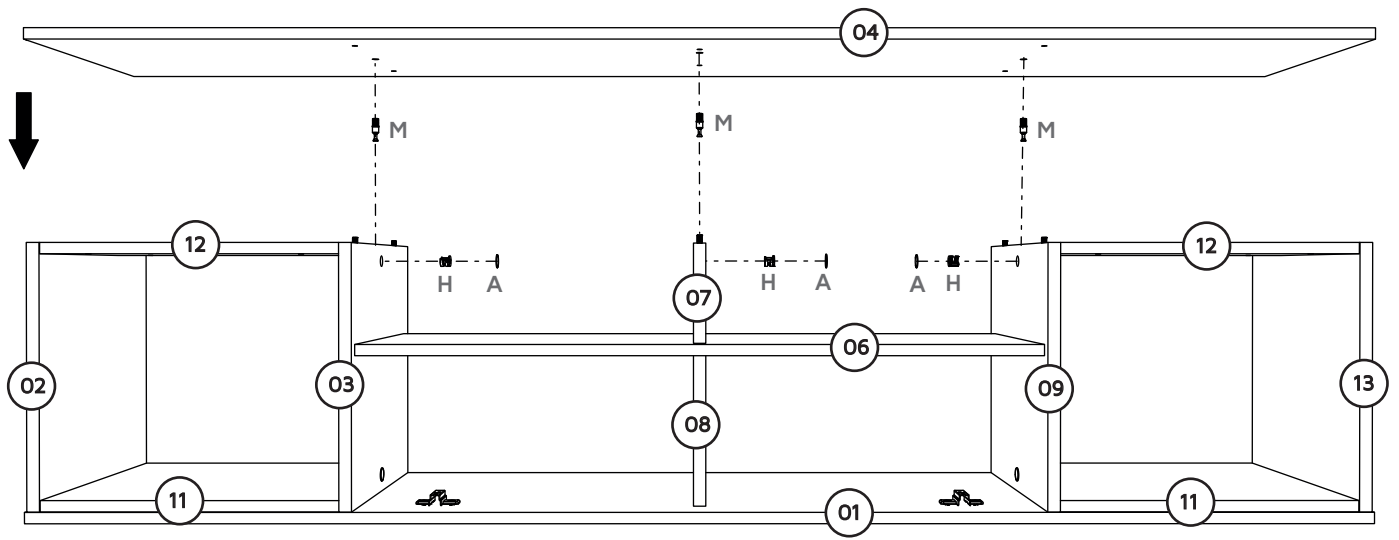


02

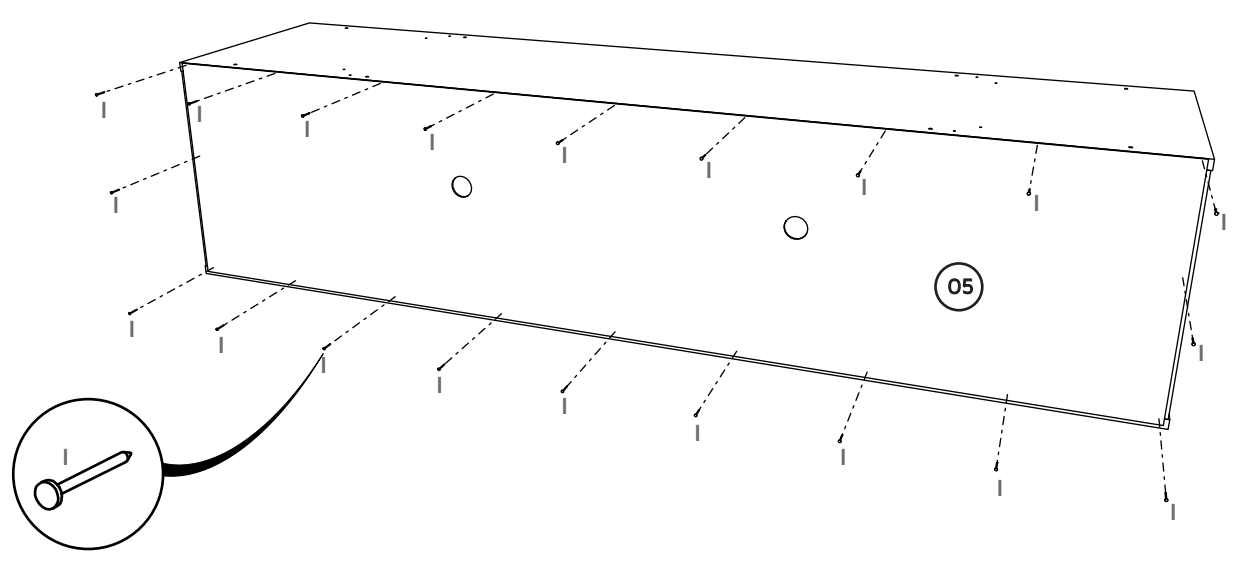


STICKER A	COD. 6533 F	COD. 10063 H	COD. 0357 I	COD. 9895 M
---------------------	-----------------------	------------------------	-----------------------	-----------------------

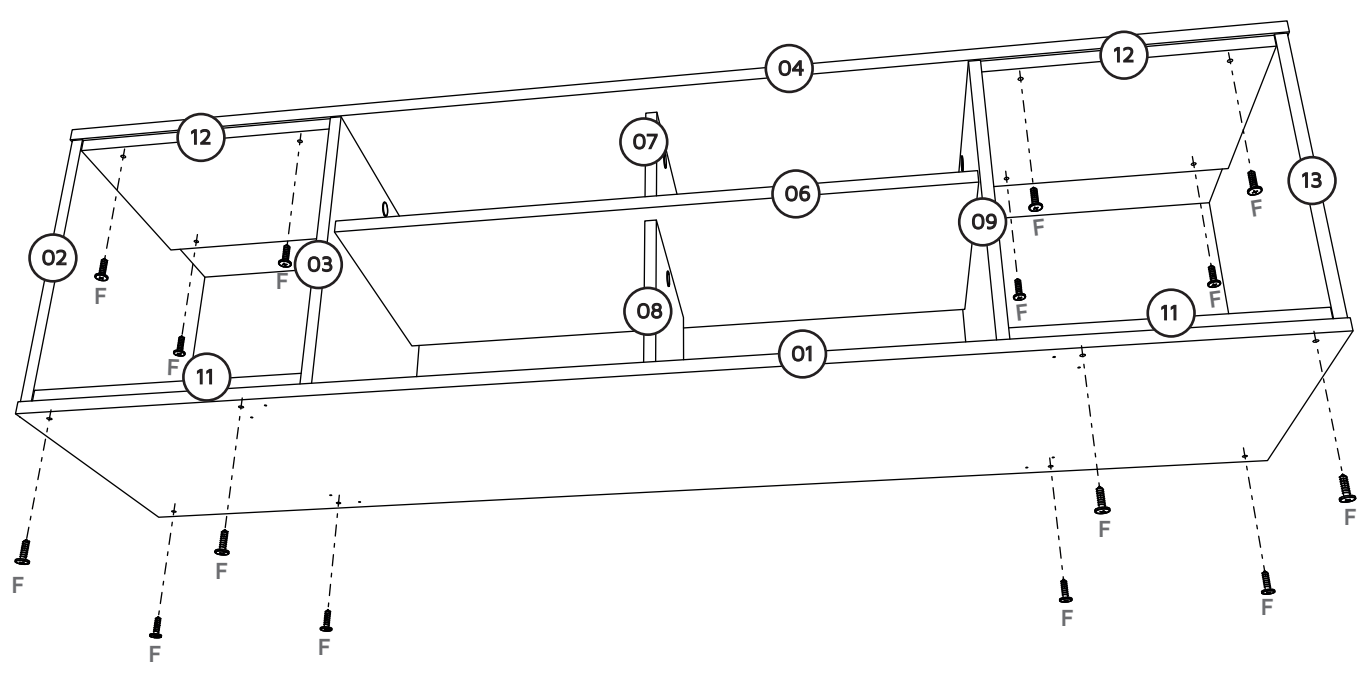
03

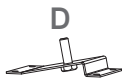


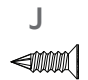
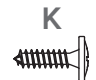



04

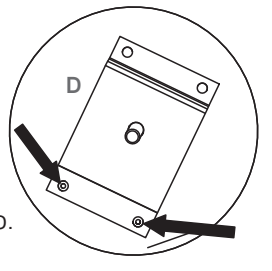
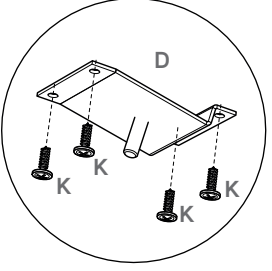
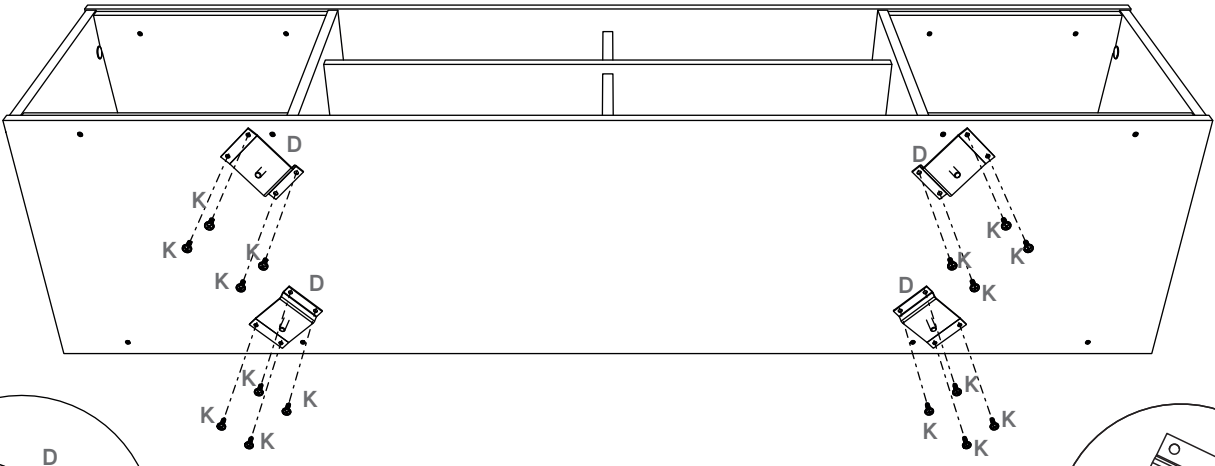


05



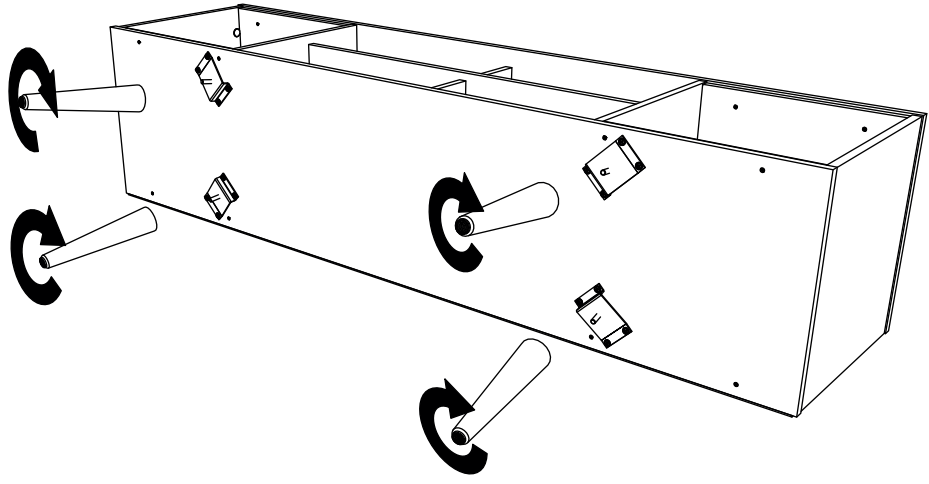
COD. 8471 D 	COD. 8903 E 	DOOR HANDLE G 	COD. 7519 J 	COD. 8056 K 	COD. 9842 L 
---	---	---	---	---	---

06

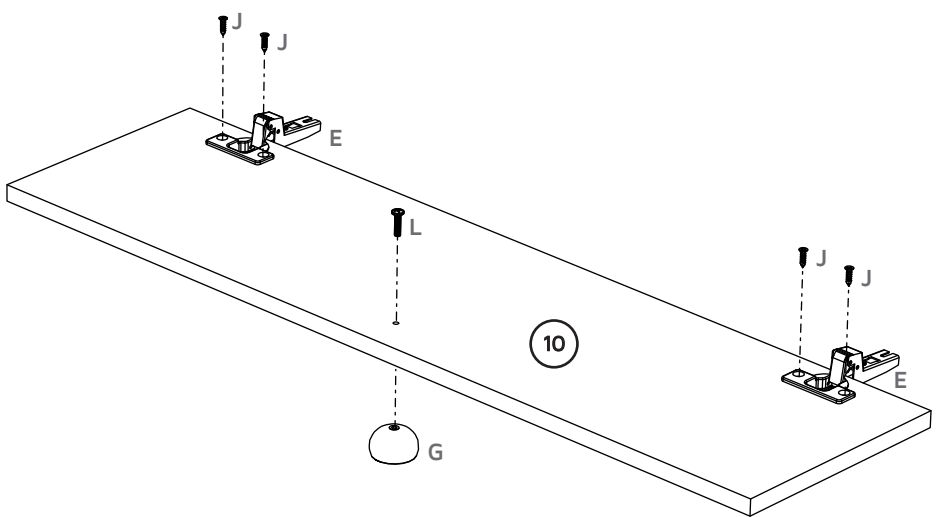


Posicionar usando furo guía.
Place them using pilot hole.
Posicionar usando agujero piloto.

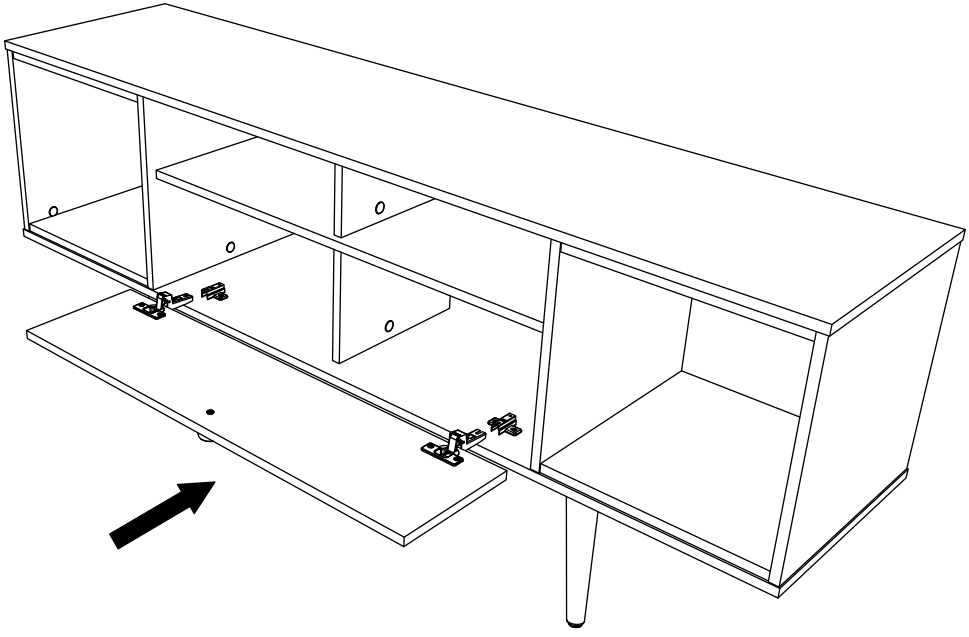
07



08



10



HINGE ADJUSTMENT

