



MANHATTAN
COMFORT

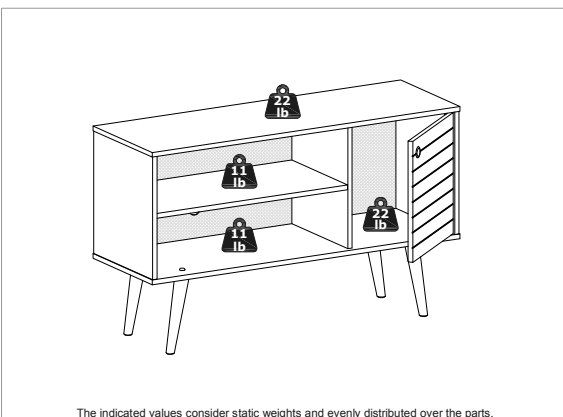
888-230-2225

help@manhattancomfort.com



Liberty TV Stand 42.52

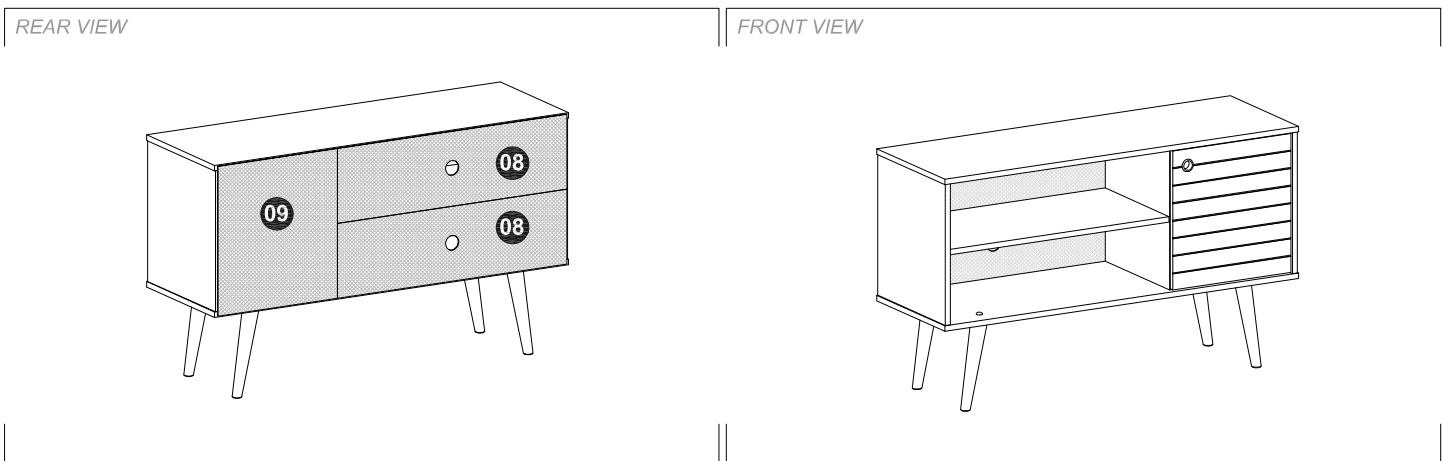
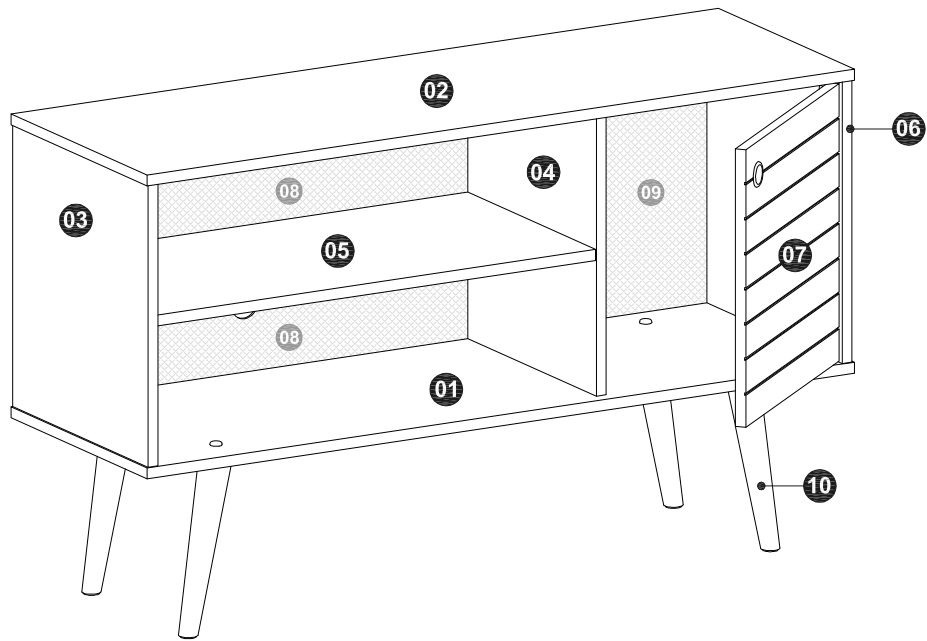
Model # 212BMC6, 212BMC3, 212BMC4, 212BMC7, 212BMC9,
212BMC8, 212BMC9, 212BMC93, 212BMC94, 212BMC96, 212BMC97



The indicated values consider static weights and evenly distributed over the parts.

Ed. 004, 2019/08 - Manhattan Comfort.

INCLUDED IN THE PACKAGE



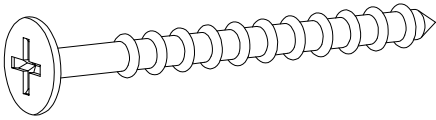
n.° ID	Parts Identification (Description)	Quantity
01	Base	1
02	Top Panel	1
03	Left Side Panel	1
04	Partition	1
05	Shelf	1
06	Right Side Panel	1
07	Door	1
08	Left Back Panel	2
09	Right Back Panel	1
10	Wood Feet	4

TOOLS NEEDED



INCLUDED IN THE HARDWARE

A 4x



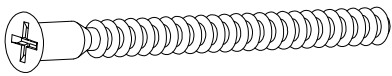
B 4x



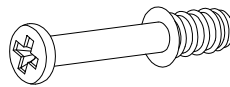
C 16x



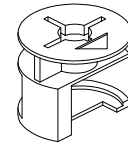
D 6x



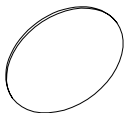
E 8x



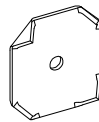
F 8x



G 6x



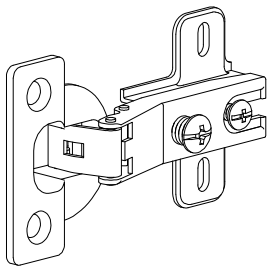
H 11x



I 40x



J 2x



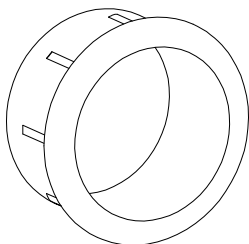
K 8x



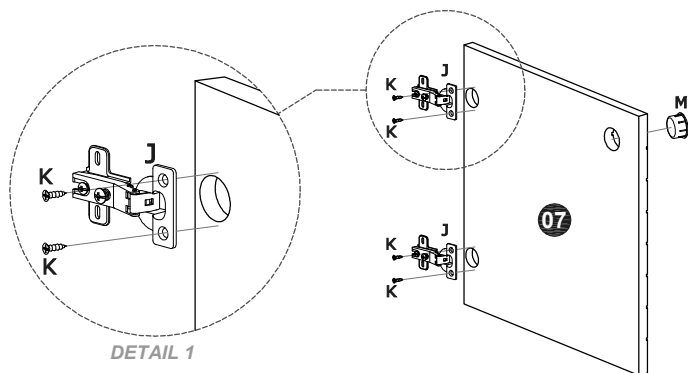
L 4x



M 1x



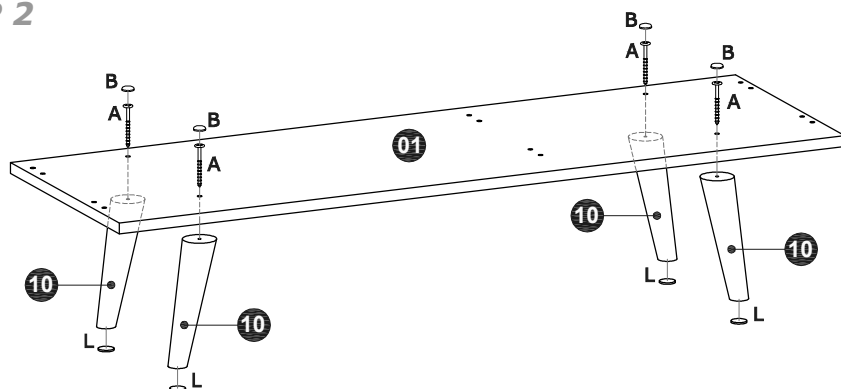
STEP 1



Preparing the door:

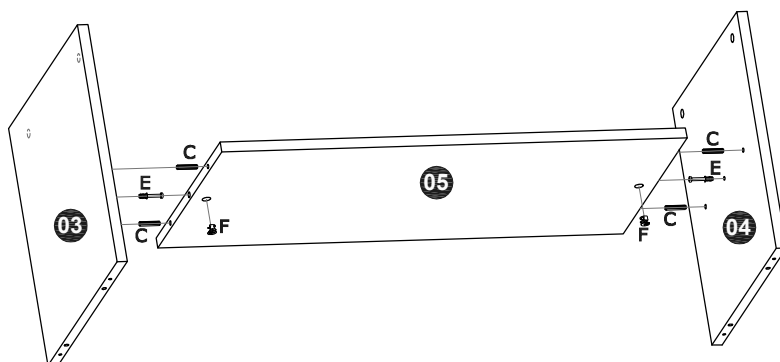
- Fix the hinges (J) in the Door (07) with bolts (K).
- Insert the plastic handle ring (M) in the Door (07).

STEP 2



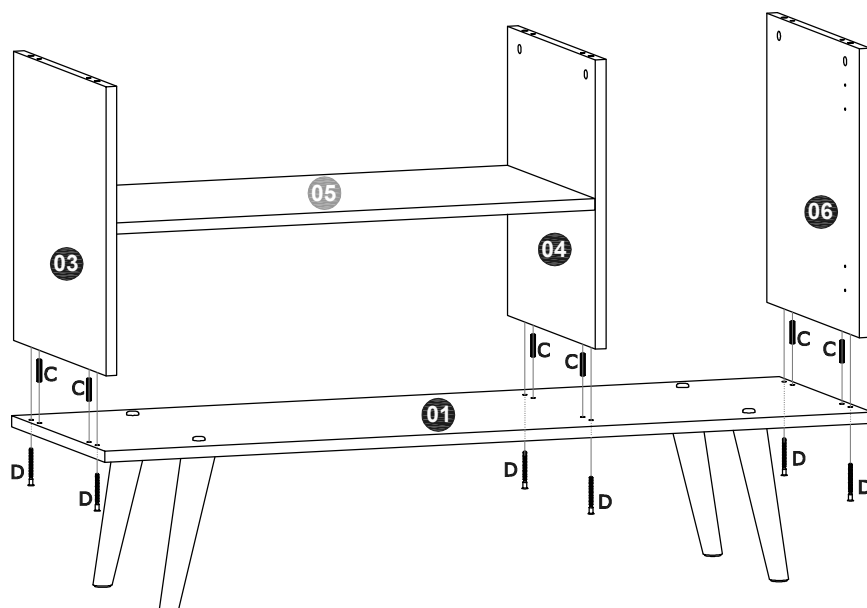
- Fix the feet (10) under the Base (01) with bolts (A).
- Apply the protective felt covers (L) on the bottom of the feet (10).
- Apply the plastic covers (B) on top of the bolts (A).

STEP 3



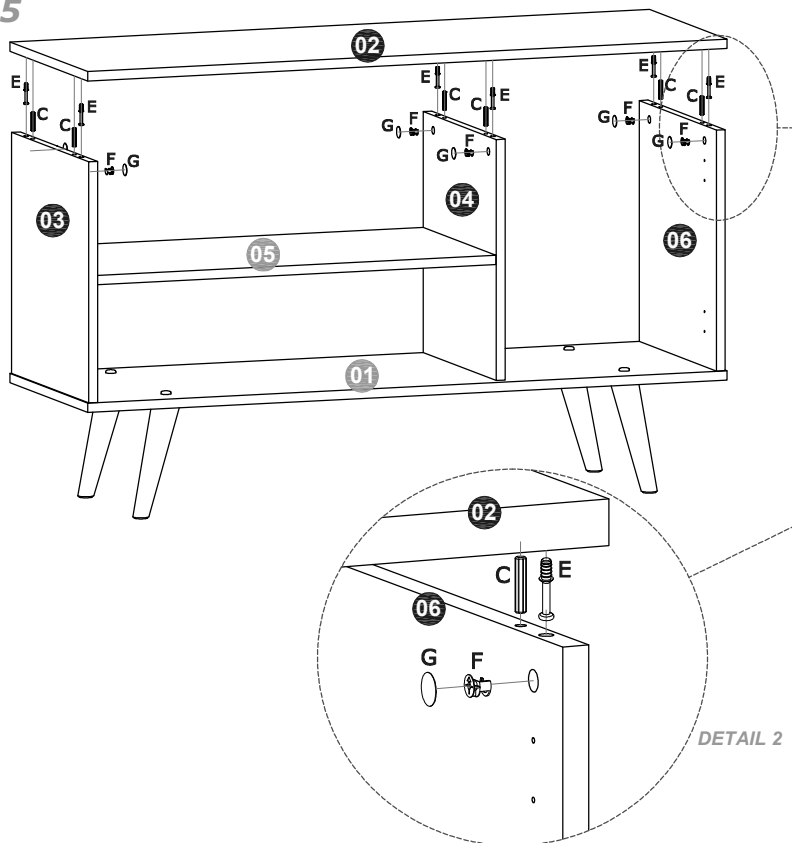
- Connect the Shelf (05) into the Left Side Panel (03) and Partition (04) using dowels (C) and the cam lock hardware (E + F).

STEP 4



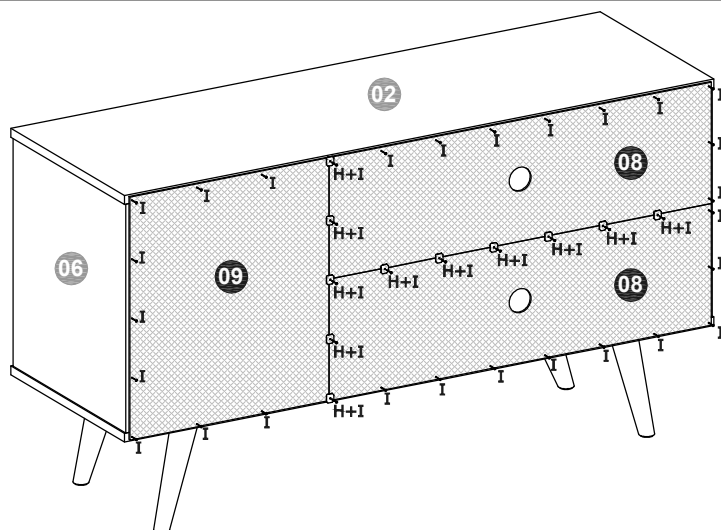
- Connect Side Panels (03) and (06) and Partition (04) into the Base (01) with dowels (C) and bolts (D).

STEP 5



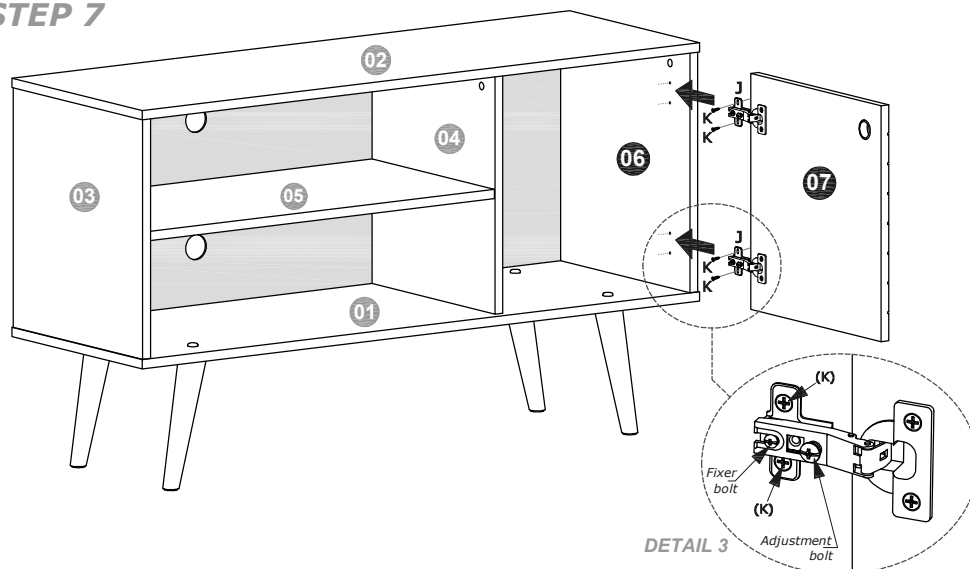
- Connect the Top Panel (02) onto Side Panels and Partitions (03), (04) and (06) using dowels (C) and the cam lock hardware (E + F).
- After the fixing, apply the adhesive covers (G).

STEP 6



- Connect Back Panels (08) and (09) with nails (I). At the joining surfaces, use metallic plates (H) and nails (I).

STEP 7



Installing the Door (07):

- Fix the hinge connectors (J) of the Door (07) on the Right Side Panel (06) with bolts 3.5 x 14mm (K), taking the markings on the panel (06) as a reference for correct positioning. The hinge connector includes two bolts, shown in DETAIL 3. Use the fixer bolt and the adjustment bolt to tighten, adjust and align the door.

