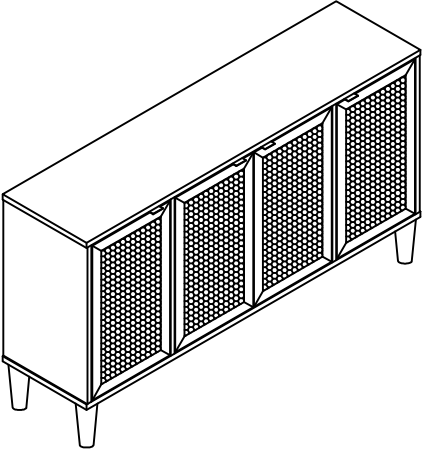
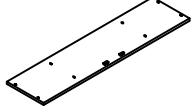

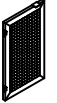
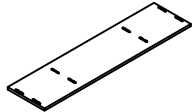

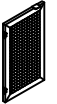


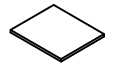
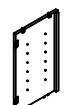

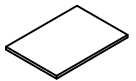
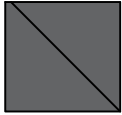


PARTS LIST / LISTE DES PIECES / LISTA DE PIEZAS

ITEM NO. /ARTICLE NO. / ARTICULO NO : DS-D314-100

Description/ La Description /Descripción : FOUR DOOR CANE CONSOLE

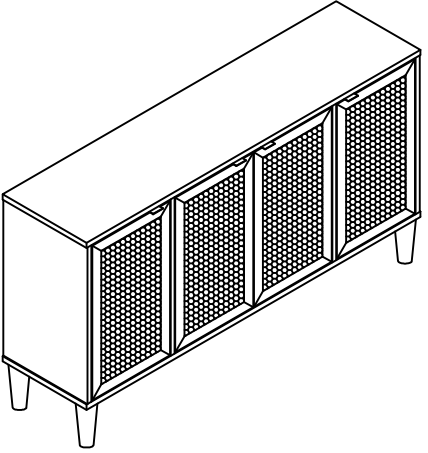
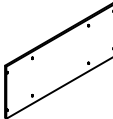

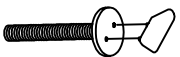

	<p><b>(A)</b> X1 Top panel X1 Techo X1 Letoit</p> 	<p><b>(E)</b></p> <p>X1 Right partition panel</p> 	<p><b>(I)</b></p> <p>X1 Left door</p> 
	<p><b>(B)</b> X1 Bottom panel X1 Placa base X1 Plaque carte mere</p> 	<p><b>(F)</b></p> <p>X1 Left partition panel</p> 	<p><b>(J)</b></p> <p>X1 Middle - Left door</p> 
	<p><b>(C)</b> X1 Right side panel X1 Panel lateral derecho X1 panneau lateral droit</p> 	<p><b>(G)</b></p> <p>X1 Right door</p> 	<p><b>(K)</b></p> <p>X4 Left / Right shelf</p> 
	<p><b>(D)</b> X1 Left side panel X1 panel izquierdo X1 pameau gaude</p> 	<p><b>(H)</b></p> <p>X1 Middle - Right door</p> 	<p><b>(L)</b></p> <p>X2 Middle Shelf</p> 

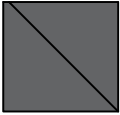


PARTS LIST / LISTE DES PIECES / LISTA DE PIEZAS

ITEM NO. / ARTICLE NO. / ARTICULO NO : DS - D314 - 100

Description/ La Description /Descripción: FOUR DOOR CANE CONSOLE

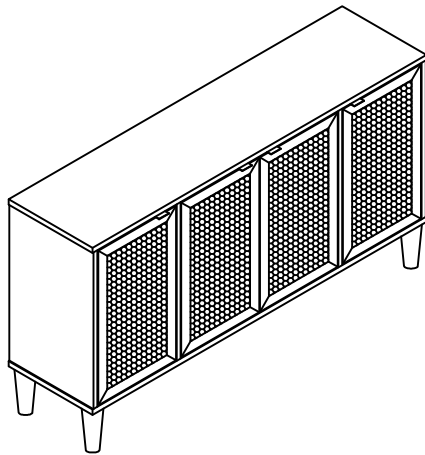
	<p><b>(M)</b></p> <p>X1 Back panel X1 Placa posterior X1 Fond de panier</p> 
	<p><b>(N)</b></p> <p>X5 Final Leg</p> 
	<p><b>(1)</b></p> <p>X8 Bolt <math>\varnothing 1/4" * 23\text{mm}</math> X8 Perno <math>\varnothing 1/4" * 23\text{mm}</math> X8 Boulon <math>\varnothing 1/4" * 23\text{mm}</math></p> 
	<p><b>(2)</b></p> <p>X24 Shelf Support <math>\varnothing 6.5\text{mm}</math> X24 Soporte laminado <math>\varnothing 6.5\text{mm}</math> X24 Support en stratifié <math>\varnothing 6.5\text{mm}</math></p> 



**ASSEMBLY INSTRUCTION / NOTICE DE MONTAGE/ INSTRUCCIONES DE MONTAJE**

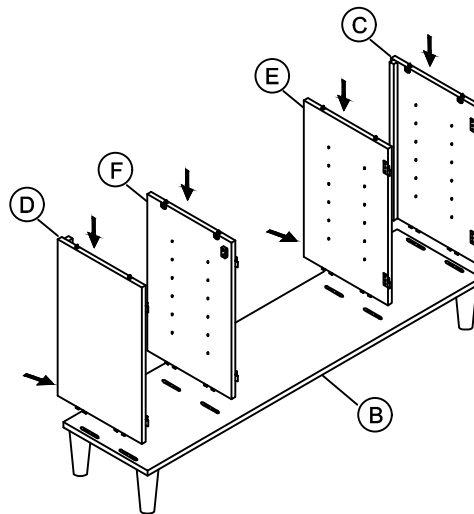
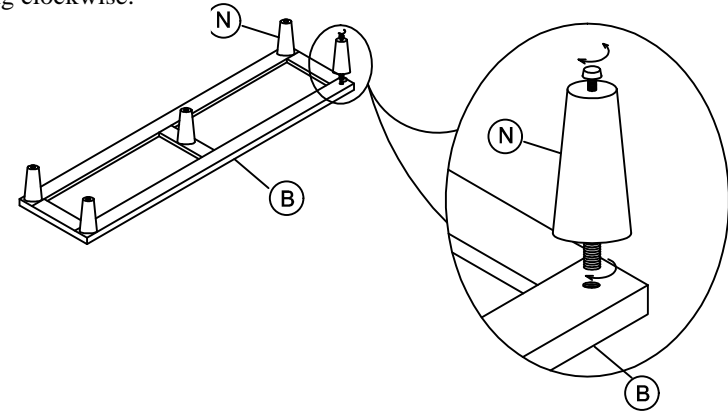
**ITEM NO . / ARTICLE NO . ARTICULO NO :** DS-D314-100

**Description/ La Description /Descrpción :** FOUR DOOR CANE CONSOLE



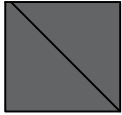
**Step 1**

On a soft dry surface, turn Bottom Panel (Part B) over with bottom facing up.  
Add Legs (Part N) by inserting into the holes and turning clockwise.  
Do not over tighten the legs to avoid stripping the bolts.



**Step 2**

Insert the hardware for Left and Right Side Panels (Part C&D) into the bottom frame and slide forward to secure them into place. Repeat this for Left and Right Partition Panels (Parts E & F). For best results, you may want to turn the cabinet forward on it's face and press down on the panels to make sure they are fully secure.



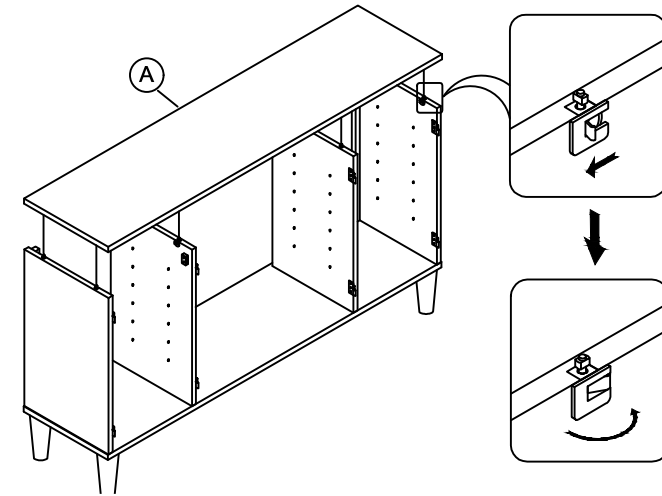
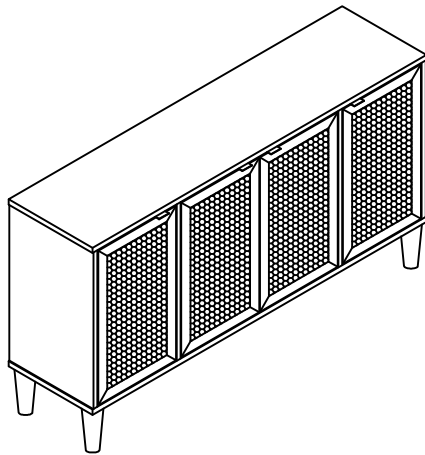
**ASSEMBLY INSTRUCTION / NOTICE DE MONTAGE/ INSTRUCCIONES DE MONTAJE**

**ITEM NO. / ARTICLE NO. / ARTICULO NO :** DS-D314-100

**Description/ La Description /Descripción :** FOUR DOOR CANE CONSOLE

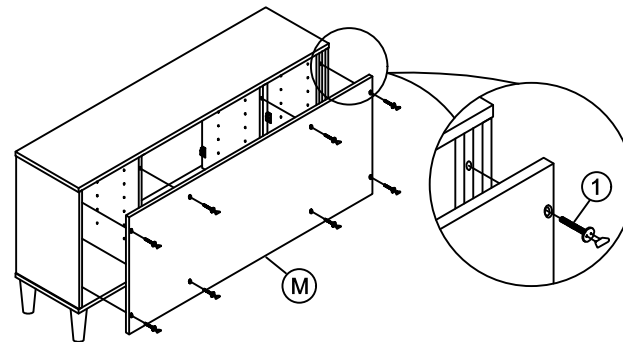
**Step 3**

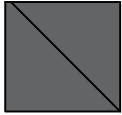
Make sure that the locking hardware switches in Panels (C,D,E,F) are in the open position indicated by the straight arrow in the diagram. Align the hardware in Top Panel (Part A) with the hardware in the panels and lower into place. Making sure that the male hardware is complete inserted into the female hardware in the top, secure the top in place by turning the switch as indicated by the curved arrow in the diagram.



**Step 4**

Insert the back panel (Part M) into the back of the cabinet aligning the pre-drilled holes. Insert Bolts (Part 1) into the holes and turn clockwise to tighten. Do not over tighten. Remove wing wrench from bolt when you are finished.





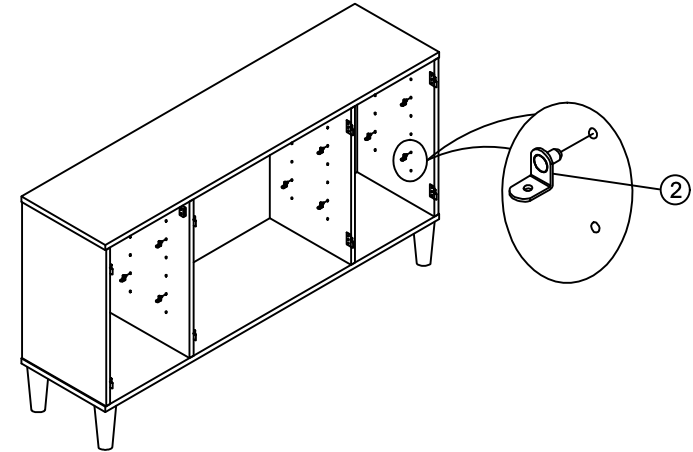
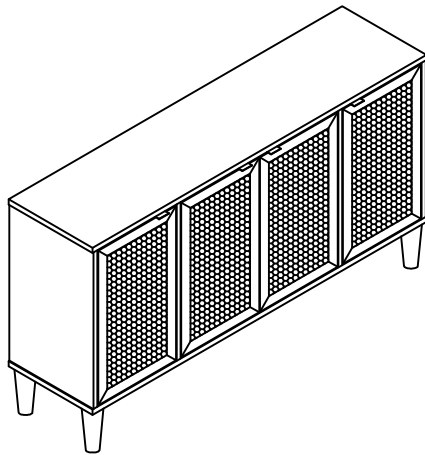
**ASSEMBLY INSTRUCTION / NOTICE DE MONTAGE/ INSTRUCCIONES DE MONTAJE**

**ITEM NO . / ARTICLE NO . / ARTICULO NO :** DS-D314-100

Description/ La Description /Descripción : **FOUR DOOR CANE CONSOLE**

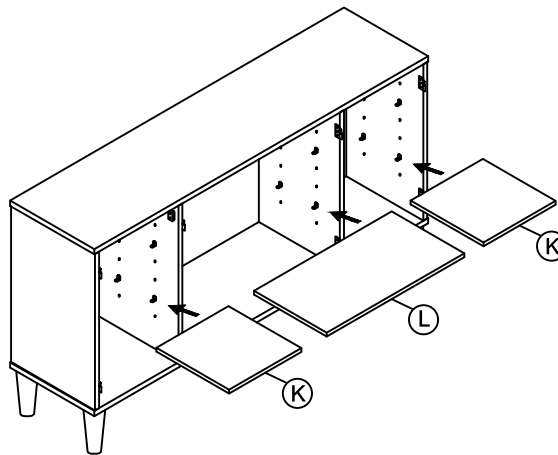
**Step 5**

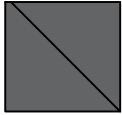
Insert shelf supports (Part 2) into the desired position in the cabinet.



**Step 6**

Insert the adjustable shelves (part K & L) into the cabinet (1st layer) to the position where there are shelf supports.





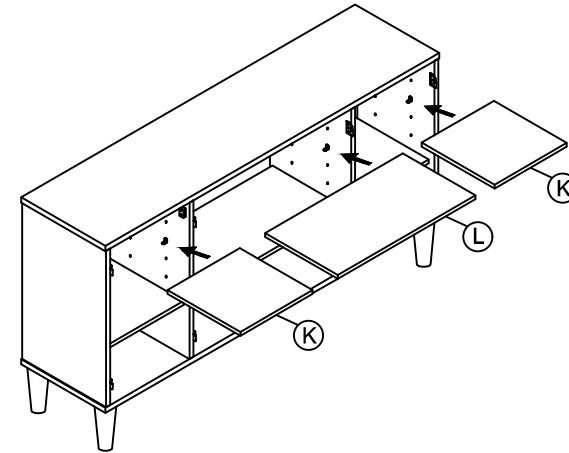
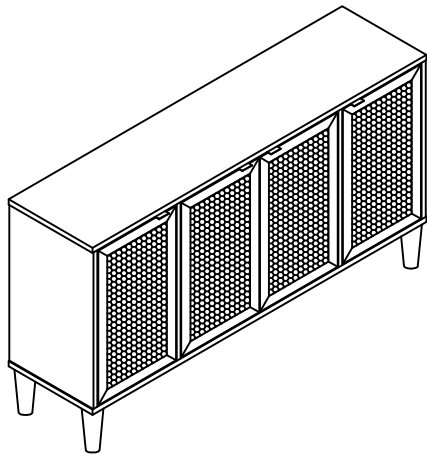
**ASSEMBLY INSTRUCTION / NOTICE DE MONTAGE / INSTRUCCIONES DE MONTAJE**

**ITEM NO. / ARTICLE NO. / ARTICULO NO :** DS-D314-100

**Description/ La Description /Descripción :** FOUR DOOR CANE CONSOLE

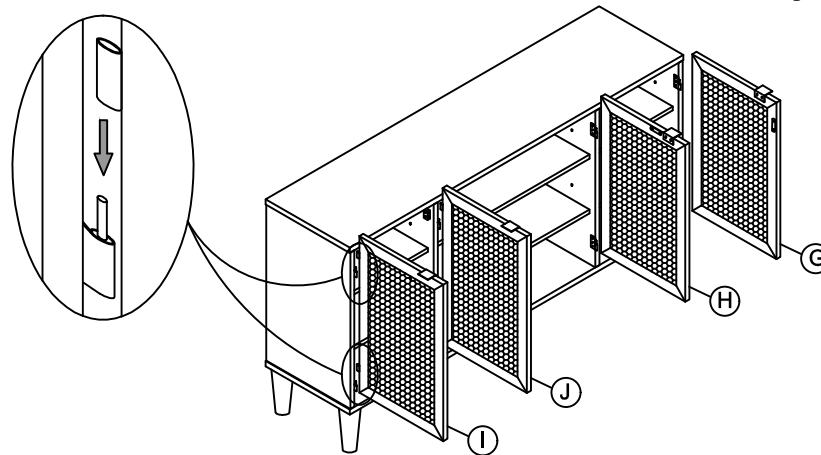
**Step 7**

Insert the adjustable shelves ( part K & L) into the cabinet (2nd layer) to the position where there are shelf supports.



**Step 8**

Align the male/female hinges on the doors and panels and lower into place.

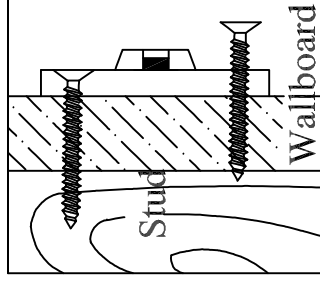


# Furniture Safety Bracket Tip Resistant

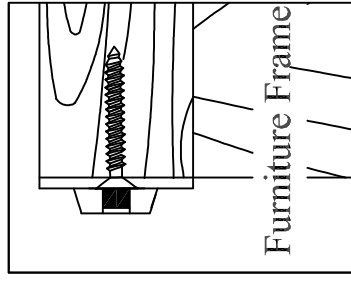
- Designed to help prevent furniture tipover.
- Detachable strap allows for easy moving of furniture for cleaning .
- Also helps prevent furniture tipover during minor tremor.

## Installation:

1. Locate a wall stud behind your furniture. Position a bracket on the stud approximately 1" below the top of the furniture. Mark and drill pilot hole into the center of the stud with a 3/32" drill bit. Attach a bracket to the stud with the long screws provided.
2. On the back of the furniture, a bracket will need to be attached to the furniture frame at the top. To do this, temporarily move the furniture into its final position and mark the location of the wall bracket on the furniture frame. Move the furniture away from the wall and place a bracket on the mark. Mark and drill holes for screws with a 3/32" drill bit. Attach the bracket to the furniture with the short screws provided.



3. Move the furniture into its final position, taking care to line up the wall bracket with the furniture bracket. Thread a strap through the bracket as shown in the illustration. Tighten strap until snug. Do not over tighten.



## Important:

Check to be sure the wall bracket is firmly screwed into wall stud, the furniture bracket is firmly attached to the frame, and the strap is snug.

## Caution:

This product is not to be a substitute for proper parental supervision. Manufacturer assumes no liability for improper installation or excessive loads placed on screws brackets or straps.

