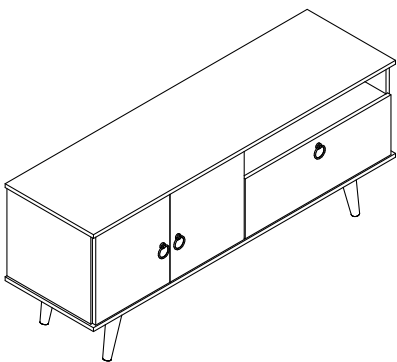




MANHATTAN  
COMFORT

888-230-2225  
help@manhattancomfort.com

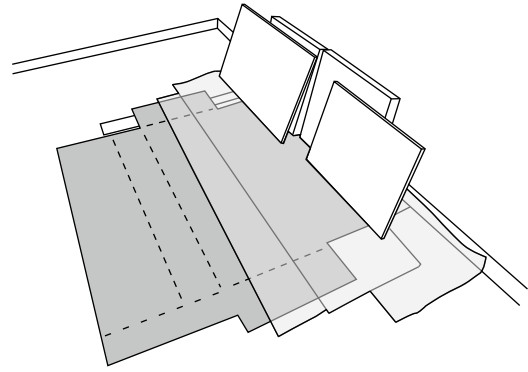


Tribeca TV Stand 53.94

# Before starting

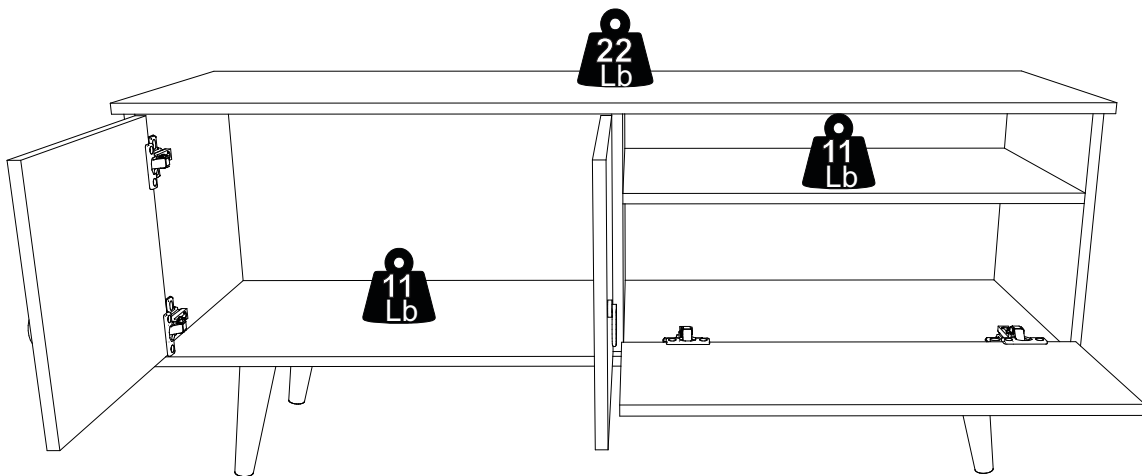
Prepare the room before starting the assembly, leaving it completely clean and the area in good condition to start the work.

Use the cardboard of the packaging and the foam sheets protection to separate and support the parts removed from the boxes.



## Dimension:

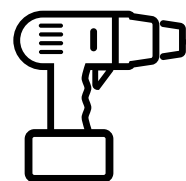
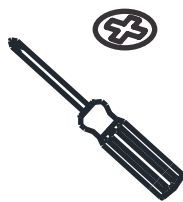
W: 53.94" H: 26.57" D: 15.74"



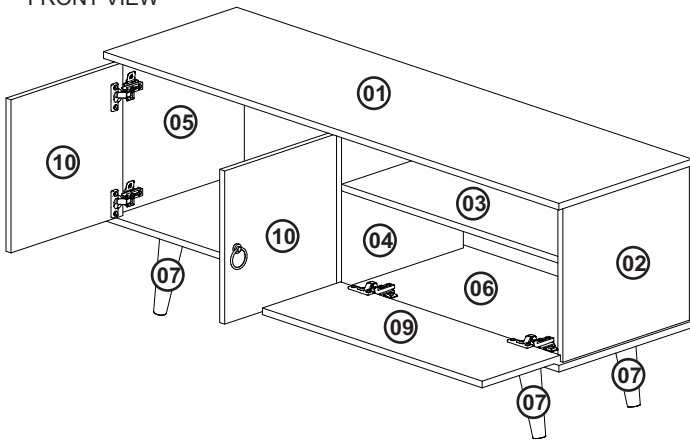
QUANTITY OF PEOPLE  
TO ASSEMBLE THIS  
FURNITURE



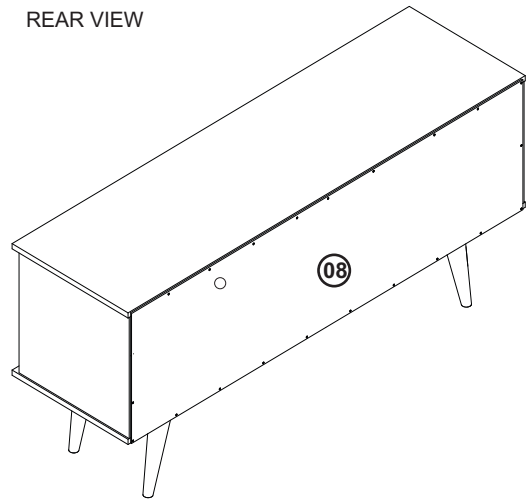
REQUIRED TOOLS



FRONT VIEW

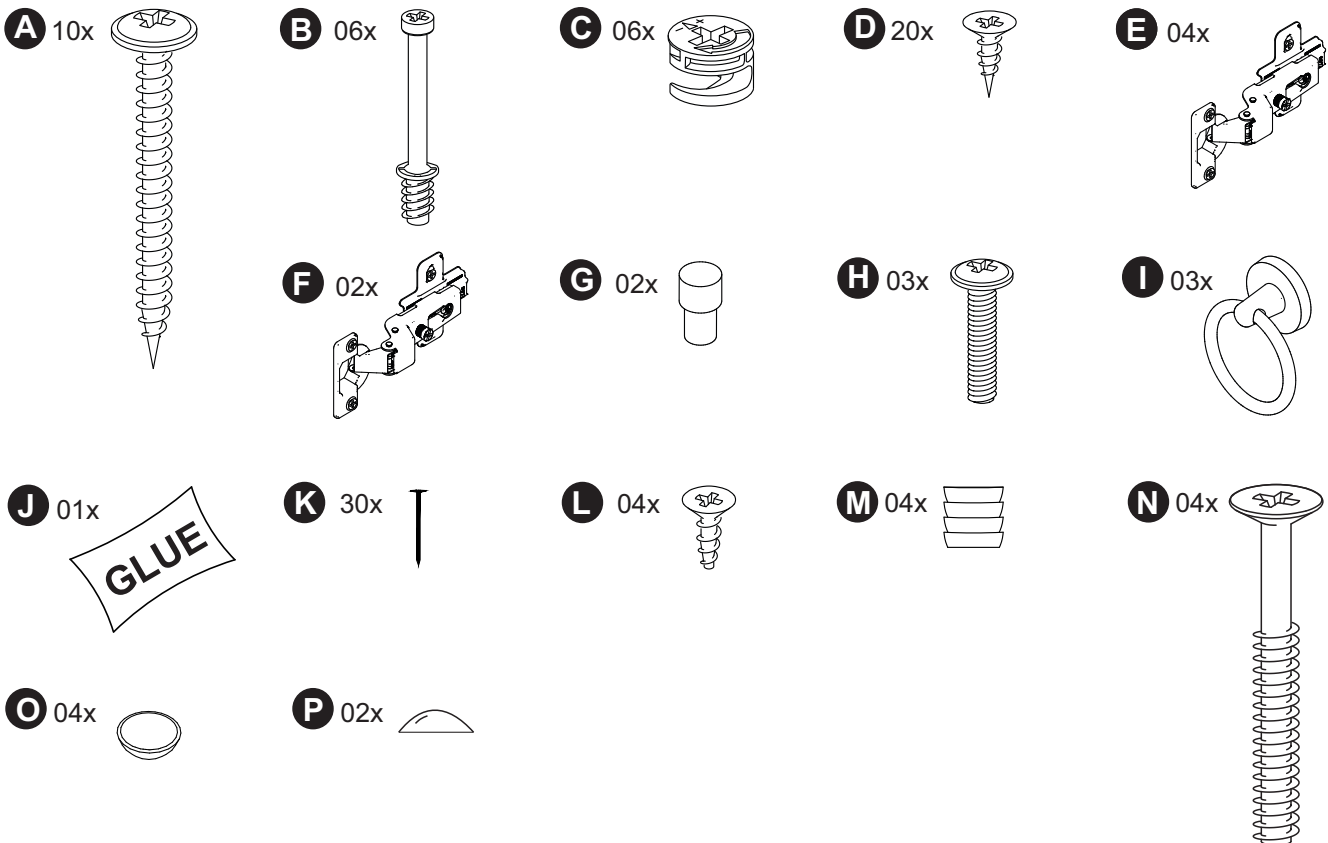


REAR VIEW

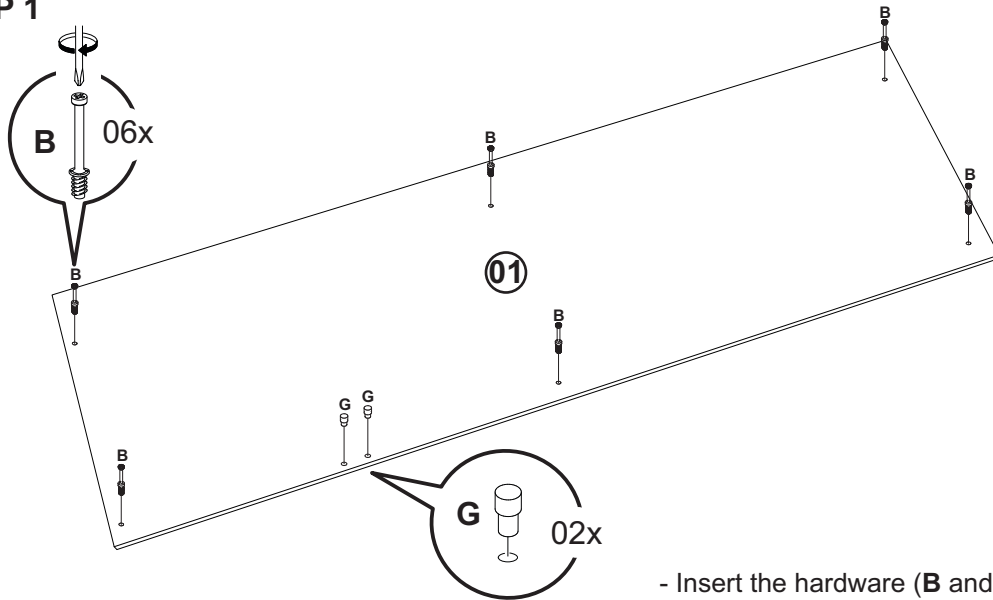


PART	DESCRIPTION	QUANTITY
01	TOP	01
02	RIGHT SIDE	01
03	SHELF	01
04	PARTITION	01
05	LEFT SIDE	01
06	BASE	01
07	FEET	04
08	BACK COVER	01
09	TILTING DOOR	01
10	RIGHT/ LEFT DOOR	02

## HARDWARE

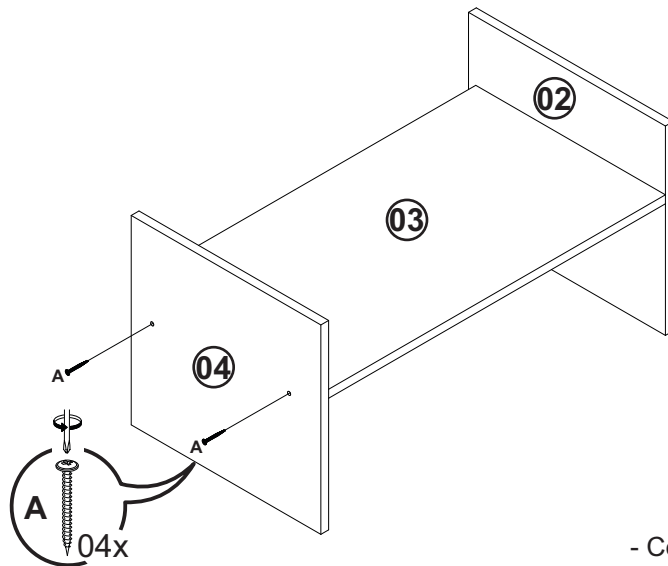


### STEP 1



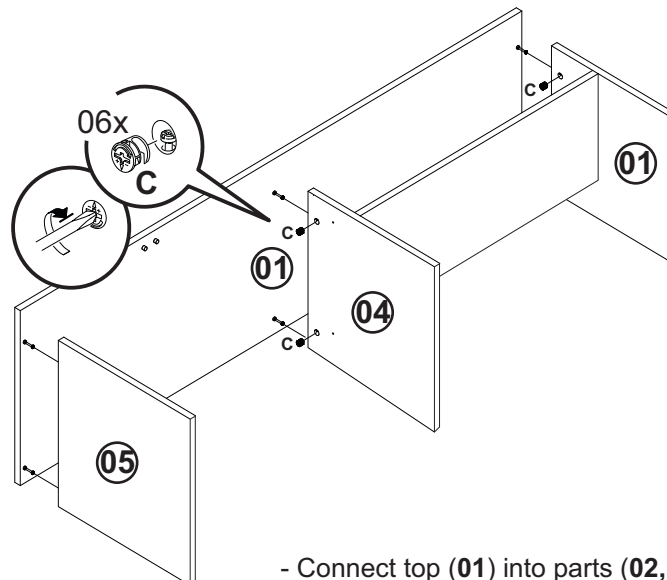
- Insert the hardware (**B** and **G**) on the piece (**01**).

### STEP 2



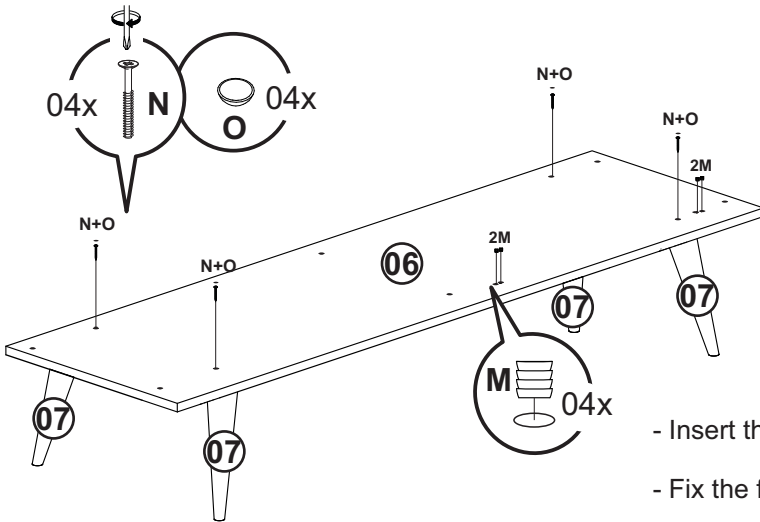
- Connect the parts (**02**, **03** and **04**) with a bolts (**A**).

### STEP 3

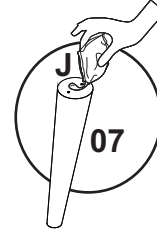


- Connect top (**01**) into parts (**02**, **04** and **05**) with hardware (**C**).

### STEP 4

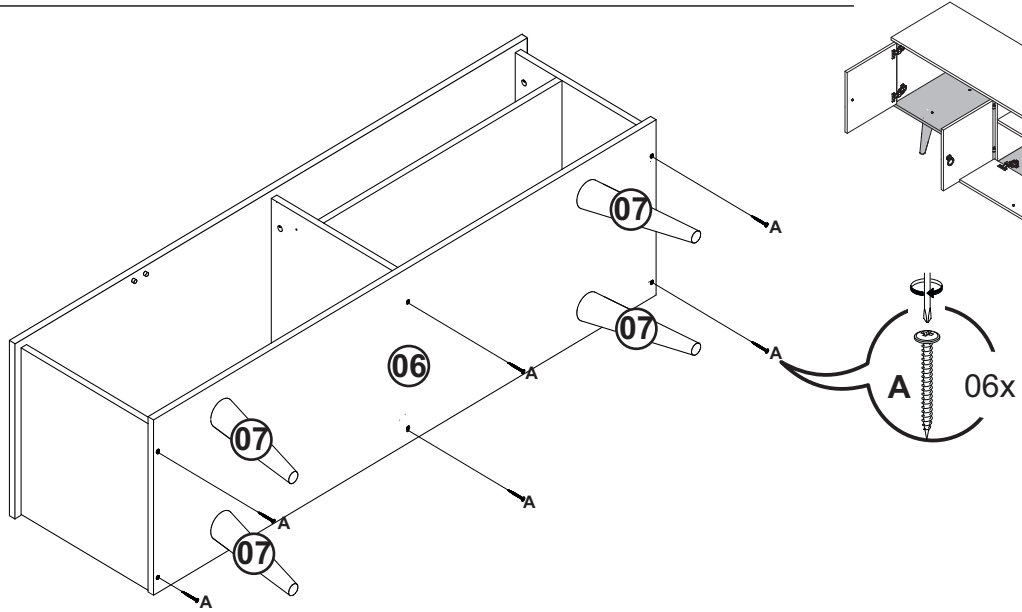


Use the glue (J) before fastening the feet (07).



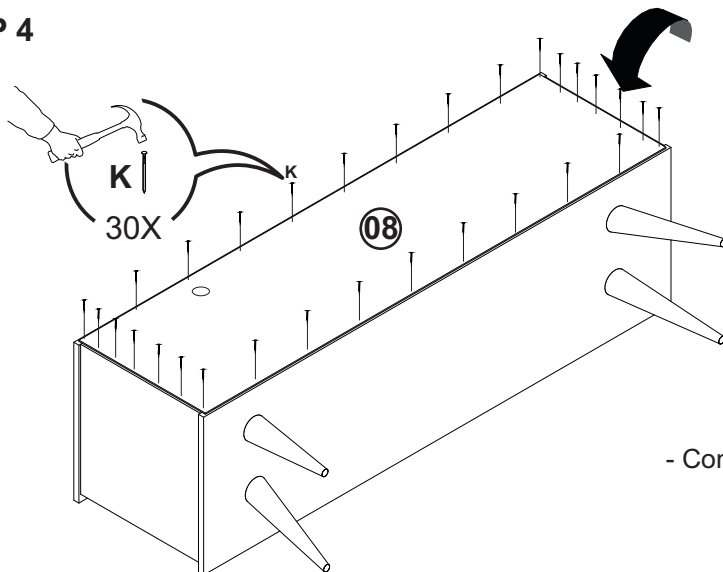
- Insert the hardware (M) in the base (06).
- Fix the feet (07) under the base (06) with a bolt (N).
- Apply the plastic covers (O) on top of the bolts (N).

### STEP 5



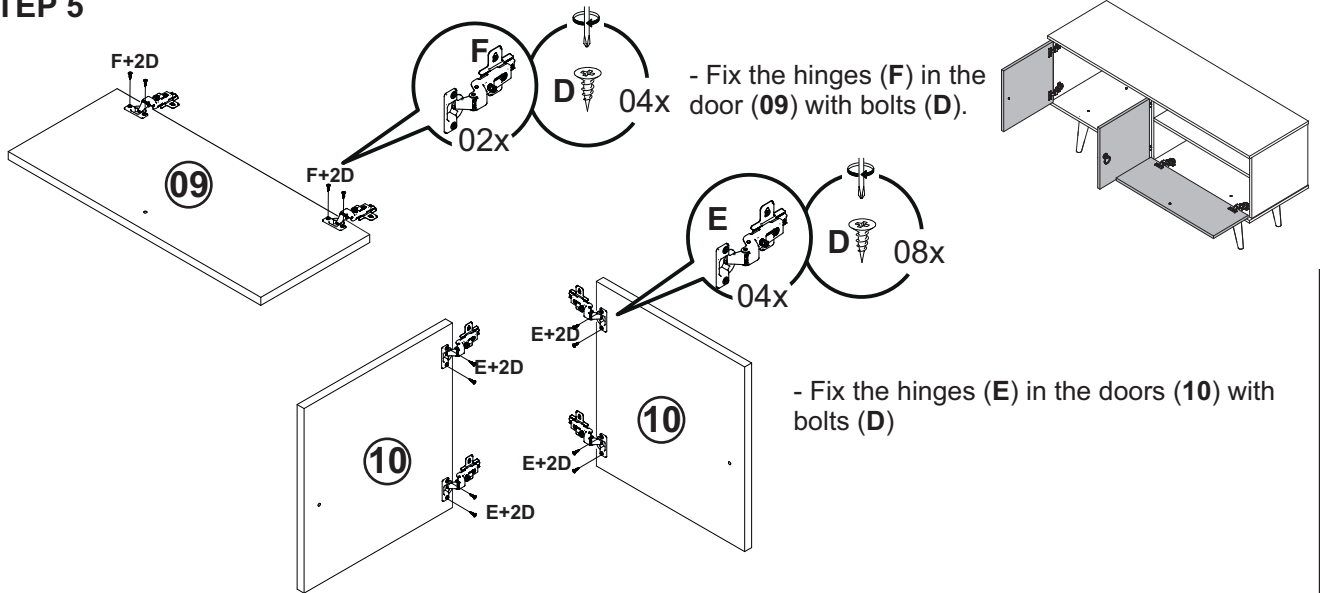
- Fix the piece (06) under the part assemble on step 3, using bolt (A).

### STEP 4

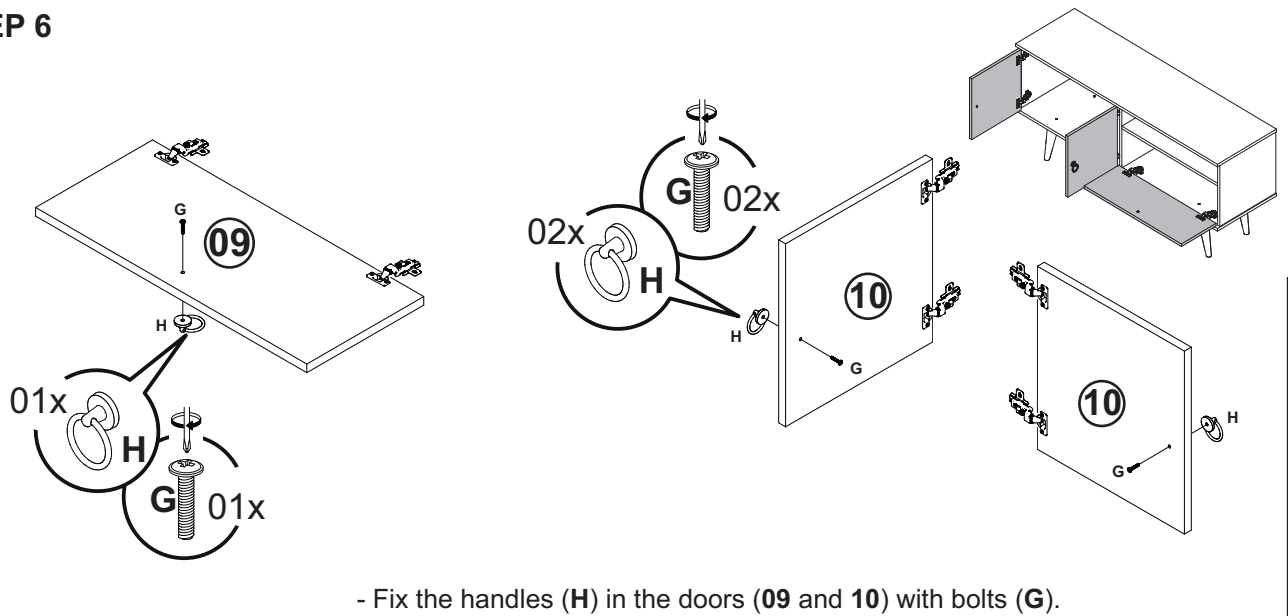


- Connect back cover (08) with nails (K).

### STEP 5



### STEP 6



### STEP 7

