

Item # : BU44MCA  
Assembly Instructions

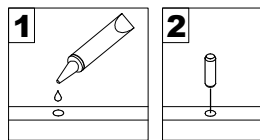


*Please visit our website for the most current instructions, assembly tips, report damage, or request parts. [www.walkeredison.com](http://www.walkeredison.com)*

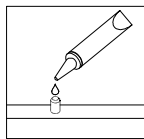
Revised 04/16/2018

# General Assembly Guidelines

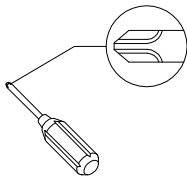
- I. Ensure that all parts and hardware are available before beginning assembly.
- II. Follow each step carefully to ensure the proper assembly of this product.
- III. Two people are recommended for ease in the assembly of this product.
- IV. The three main types of hardware used to assemble this product are : wood dowels , screws and bolts.
- V. The provided glue is to secure wood dowels in place . When first inserting dowels , locate the appropriate hole for the dowel , place a small amount of glue in the hole and insert the dowel . Wipe away excess glue immediately.



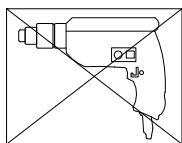
In future assembly steps when dowels are necessary to attach assembly parts together , place a small amount of glue on the end of the dowel before attaching parts together . Wipe away excess glue immediately.



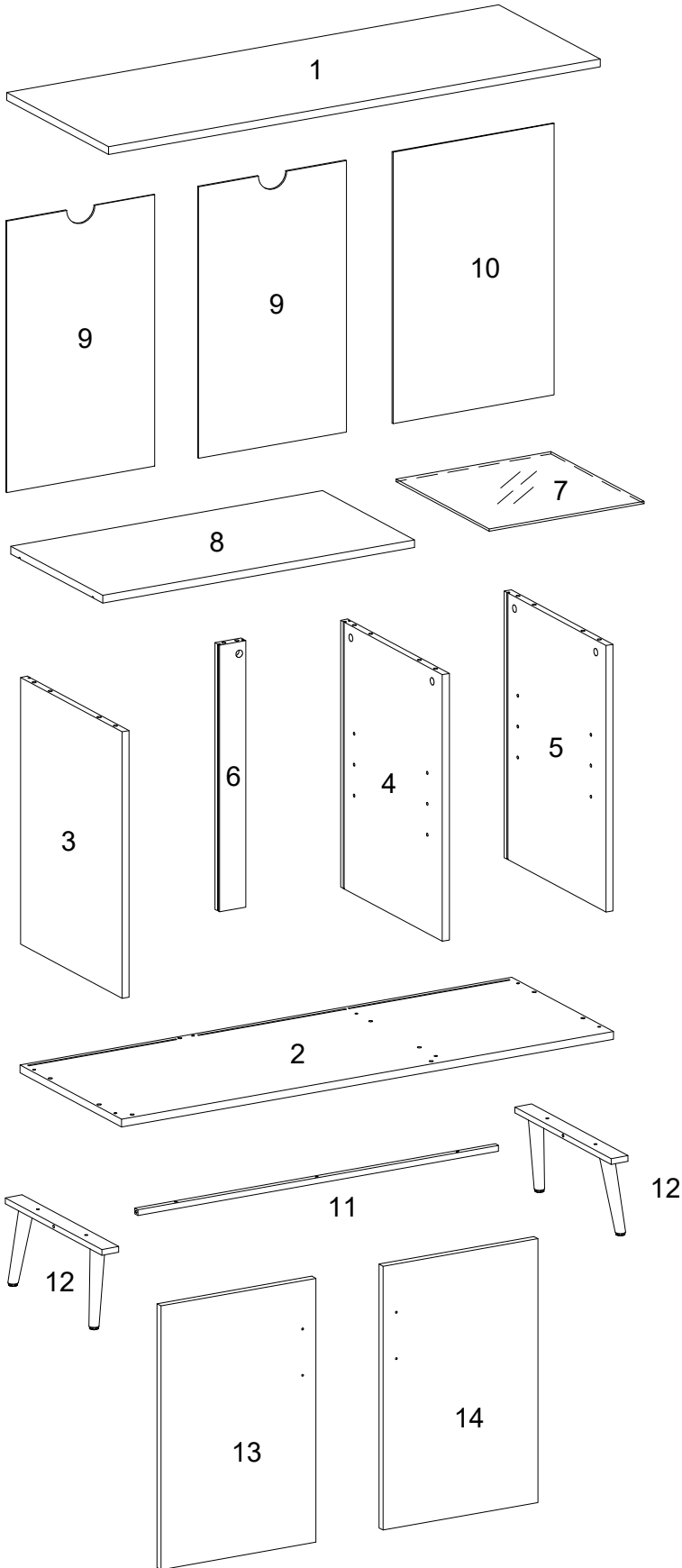
- VI. A Phillips head screwdriver is required for the assembly of this product .







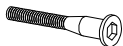

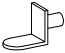
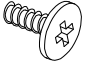






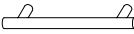

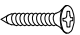
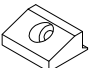




- VII. Power tools should not be used to assemble this product .

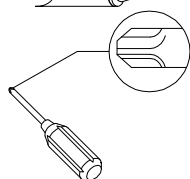


# Parts List



# Hardware List

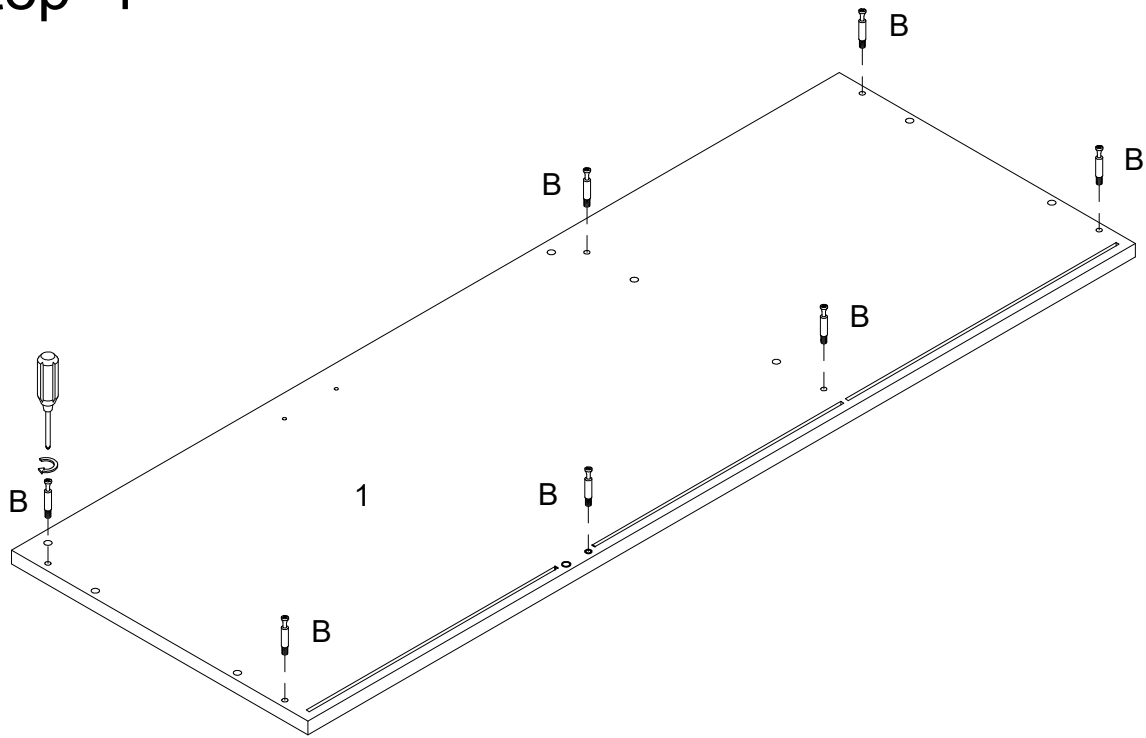
A		Ø8x30mm	Wooden dowel	14 pcs
B		Ø6x35mm	Cam bolt	7 pcs
C		Ø15x11mm	Cam lock	7 pcs
D		Ø30mm	Sticker	7 pcs
E		Ø6x50mm	Bolt	7 pcs
F		Ø8x5x16mm	Shelf support pin	4 pcs
G			Glass holder	4 pcs
H			Bolt	2 pcs
J			Door stopper	1 pcs
K		Ø3x15mm	Screw	2 pcs
L			Door Hinge	2 pcs
M			Door Hinge	2 pcs
N			Plastic pivot	4 pcs
P		Ø3x12mm	Screw	8 pcs
Q			Handle	2 pcs
R		Ø4x22mm	Handle Bolt	4 pcs
S		Ø3x17mm	Screw	12 pcs
T			Plastic wedge	12 pcs
U		Ø6x25mm	Bolt	7 pcs
V		Ø6x60mm	Bolt	2 pcs
W		M 4	Hex Key	1 pcs
X			Glue tube	1 pcs



Philips head screwdriver required for assembly  
(not included)

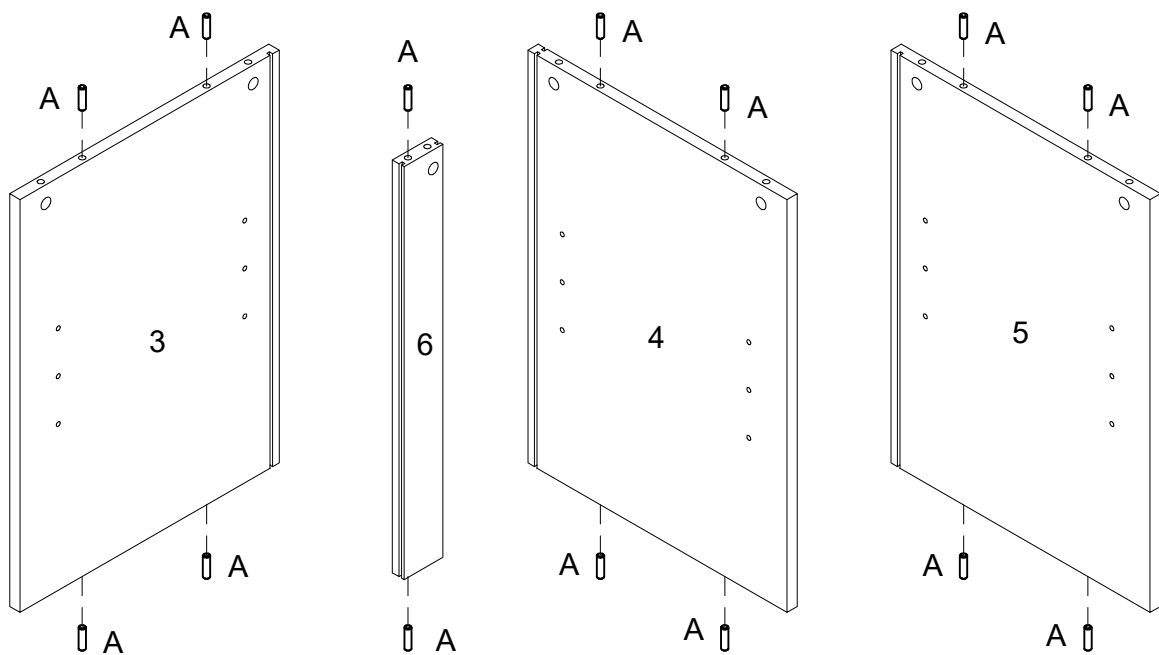
*The hardware quantities listed above are required for proper assembly.  
Some extra hardware may also have been included.*

# Step 1



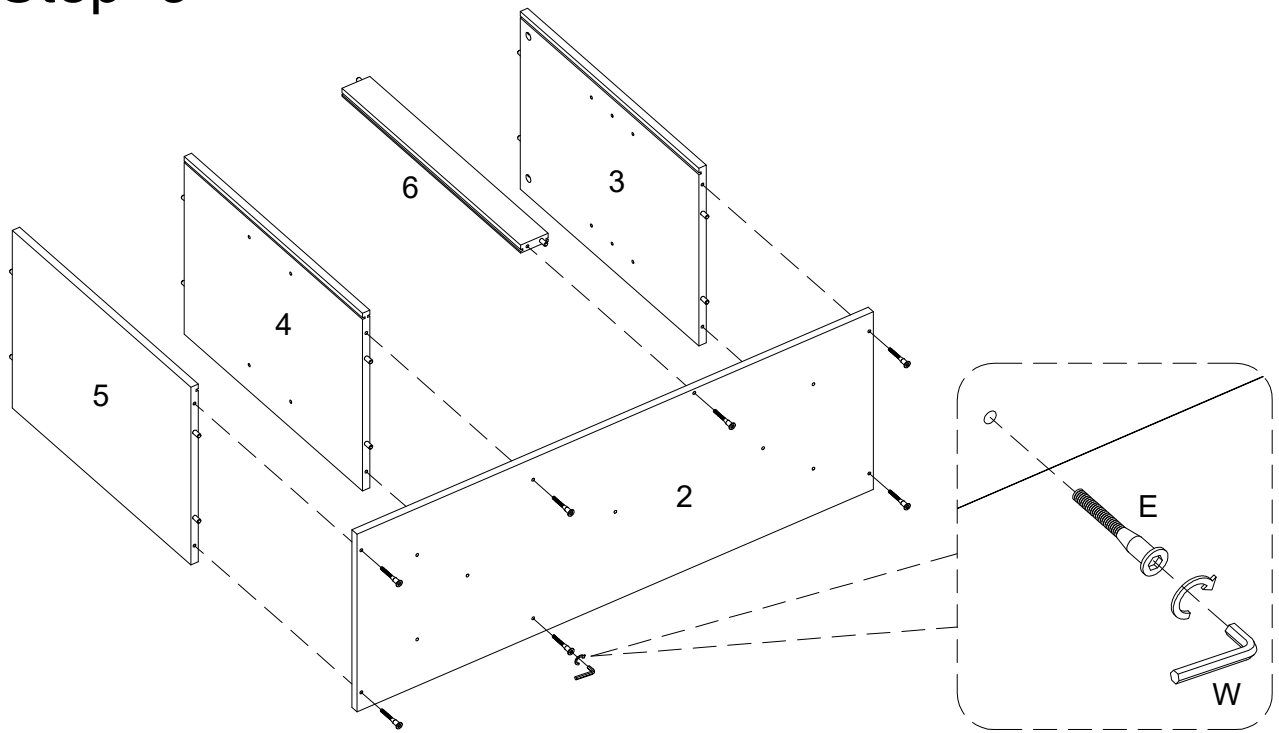
Attach cam bolt (B) to part (1) with screwdriver.

# Step 2



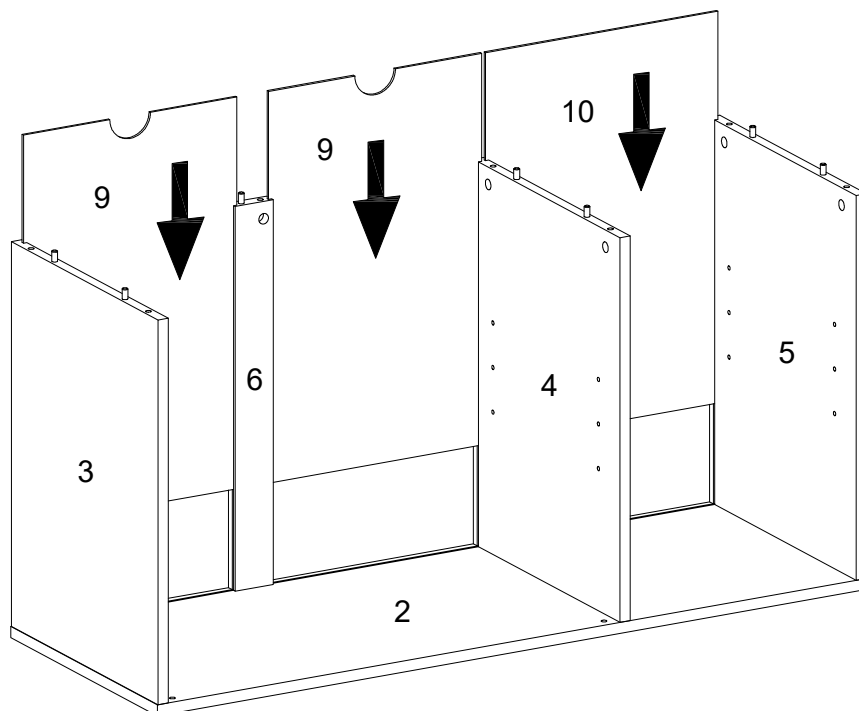
Insert wooden dowel (A) into part (3,4,5,6).

## Step 3



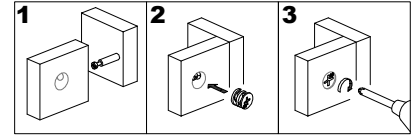
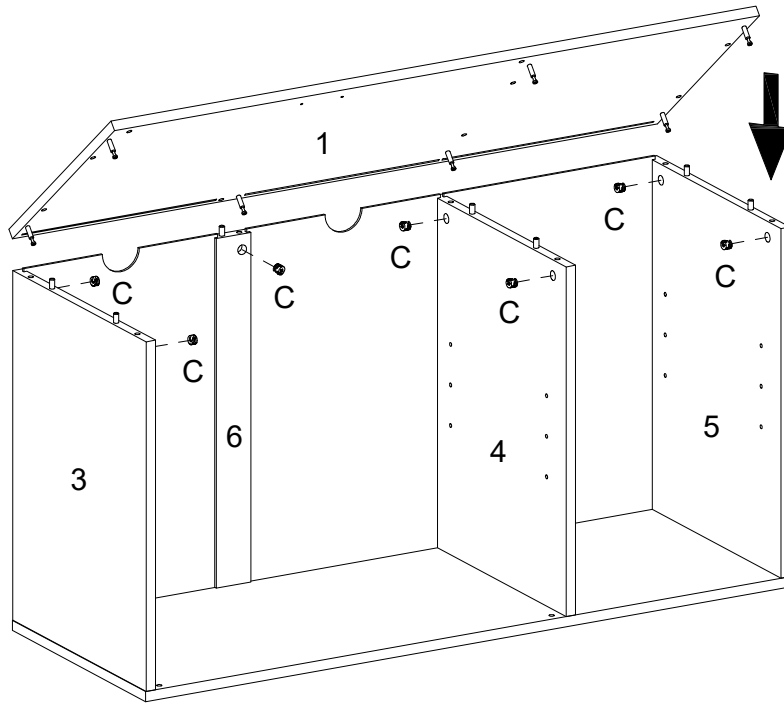
Attach part (3,4,5,6) to part (2) using bolt (E) with hex key (W).

## Step 4



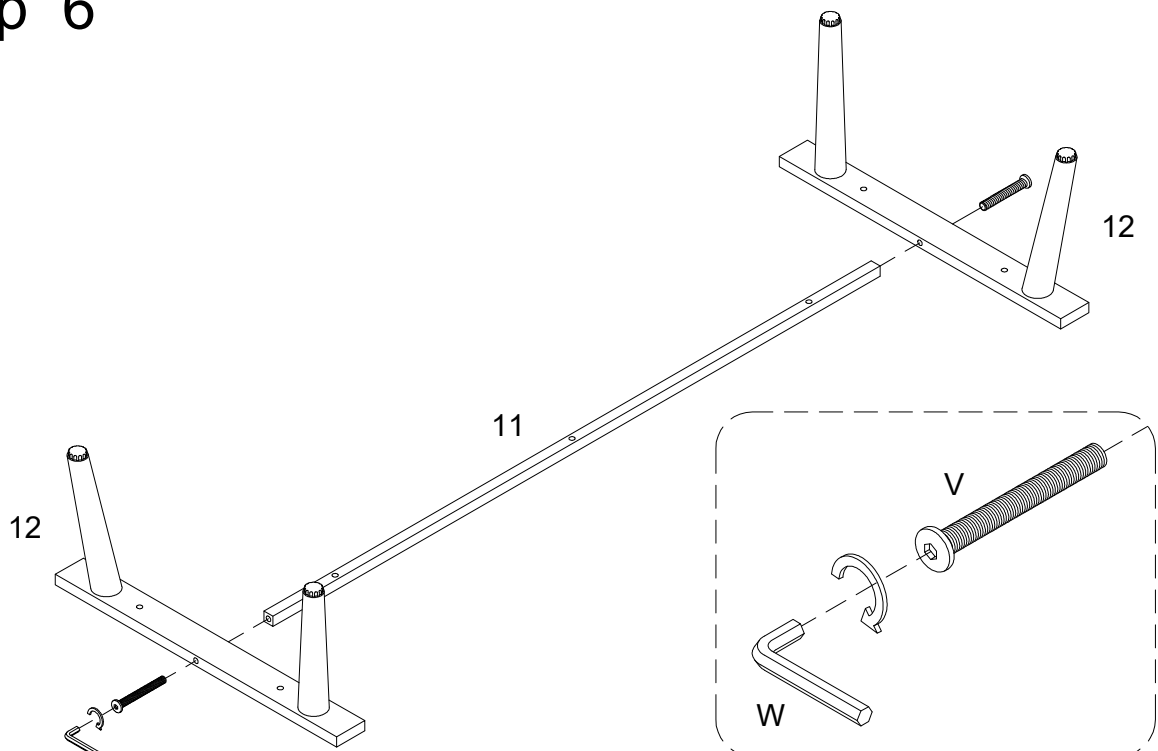
Slide back panel (9,10) into grooves as per diagram.

## Step 5



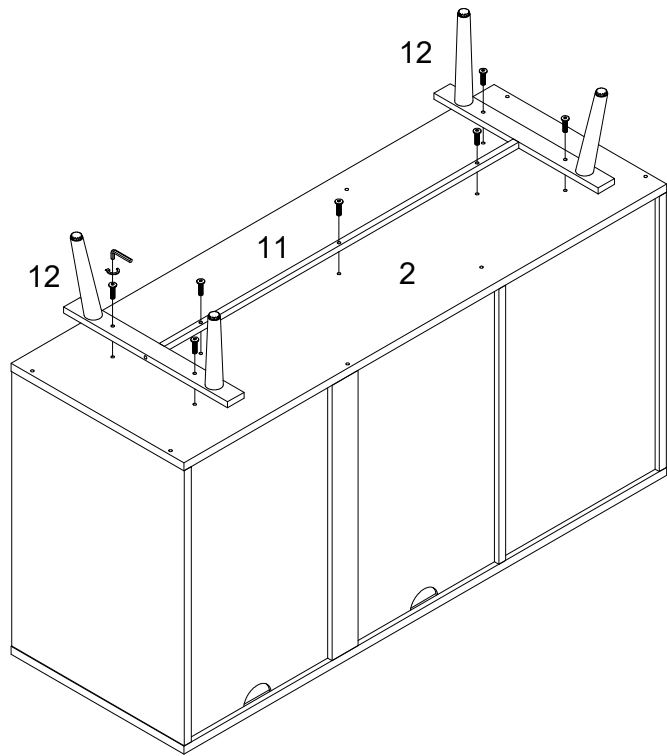
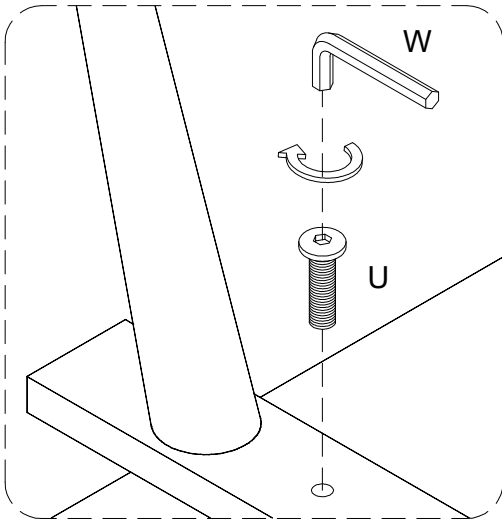
Insert part (1) into part (3,4,5,6), then insert and secure cam lock (C) to part (3,4,5,6) to lock it.

## Step 6



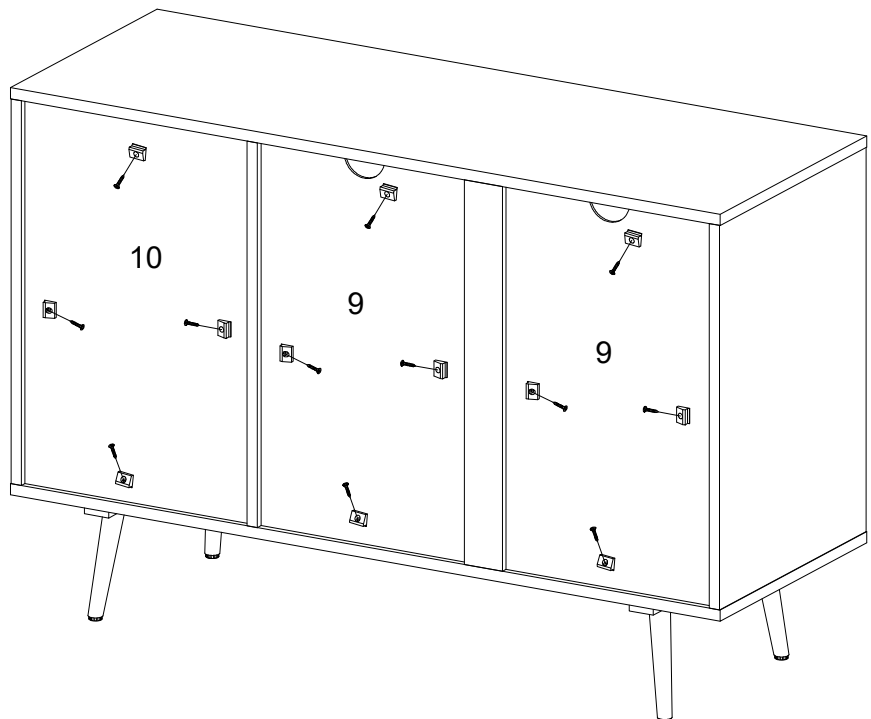
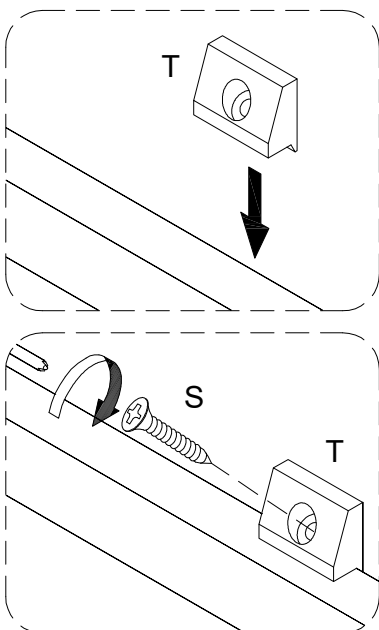
Attach part (12) to part (11) using bolt (V) with hex key (W).

## Step 7



Attach part (11,12) to part (2) using bolt (U) with hex key (W).

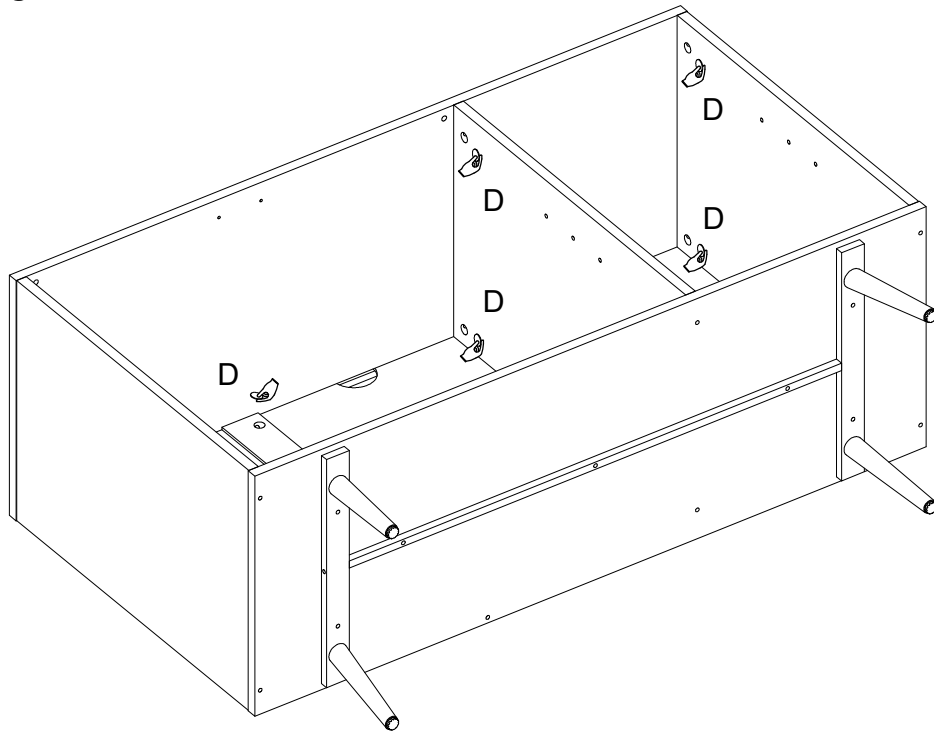
## Step 8



Attach plastic wedge (T) to part (9,10) using screw (S) with screwdriver.

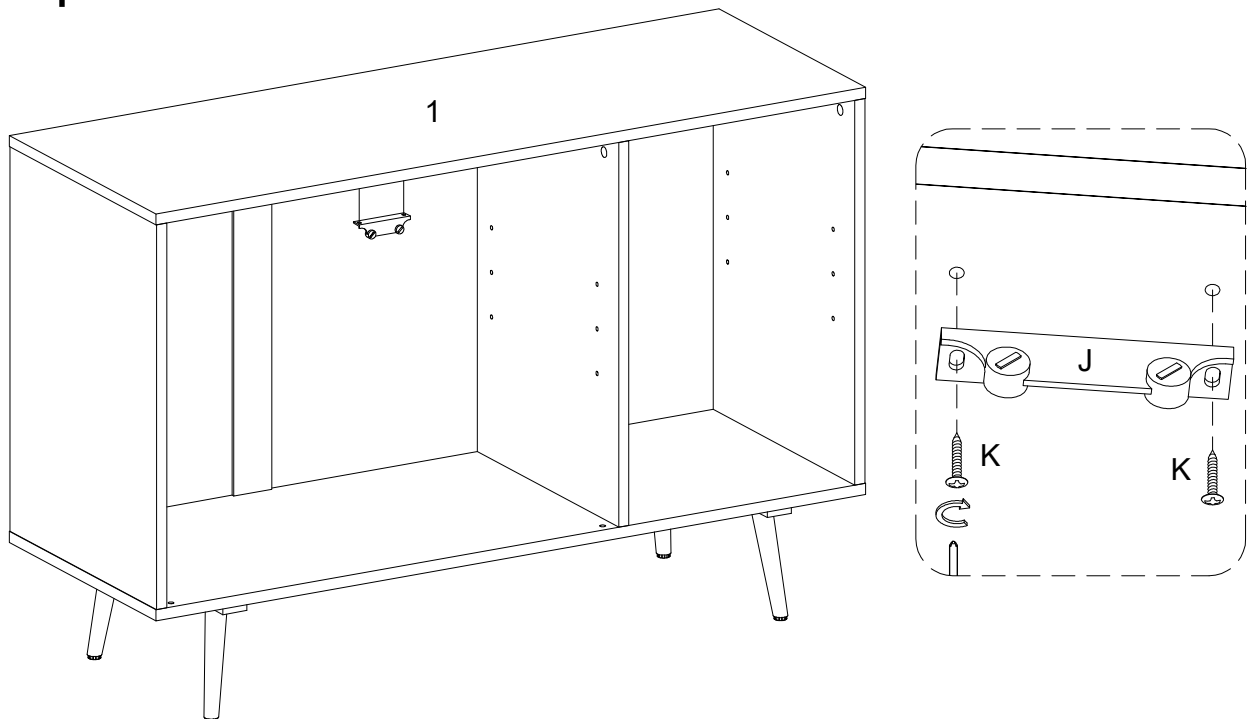


## Step 9



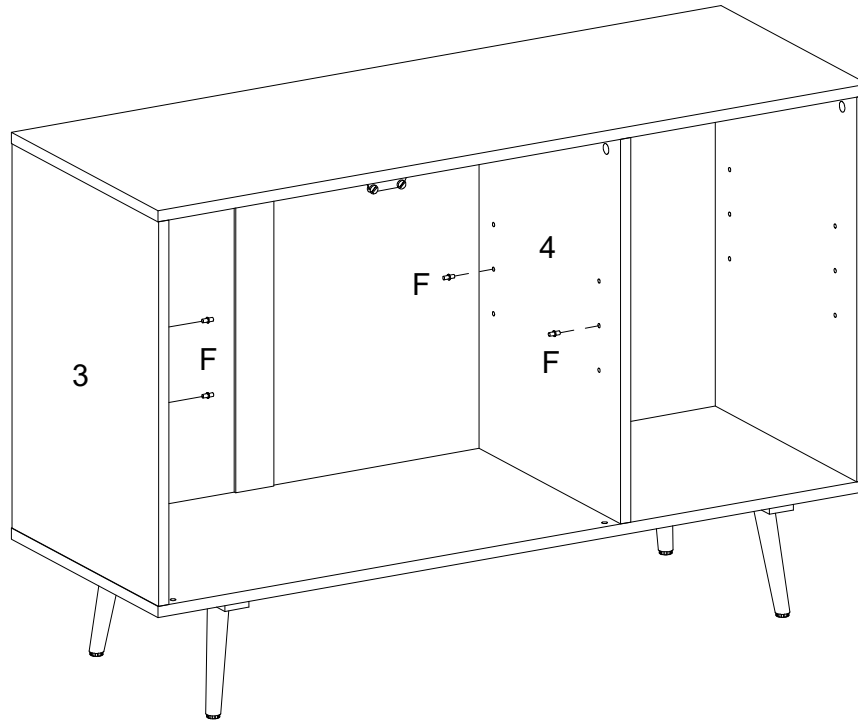
Place sticker (D) over holes as per diagram.

## Step 10



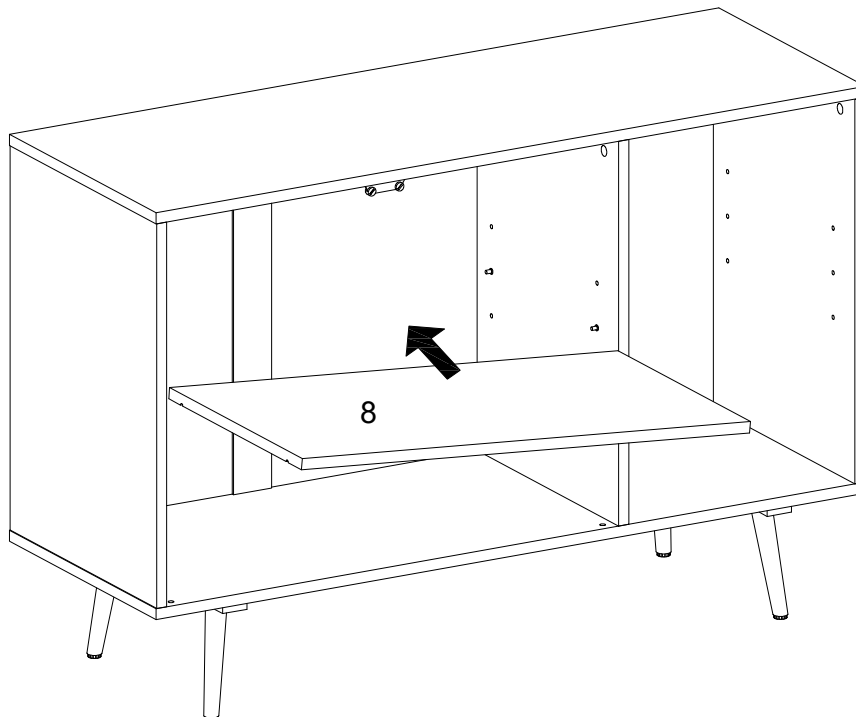
Attach door stopper (J) to part (1) using screw (K) with screwdriver.

## Step 11



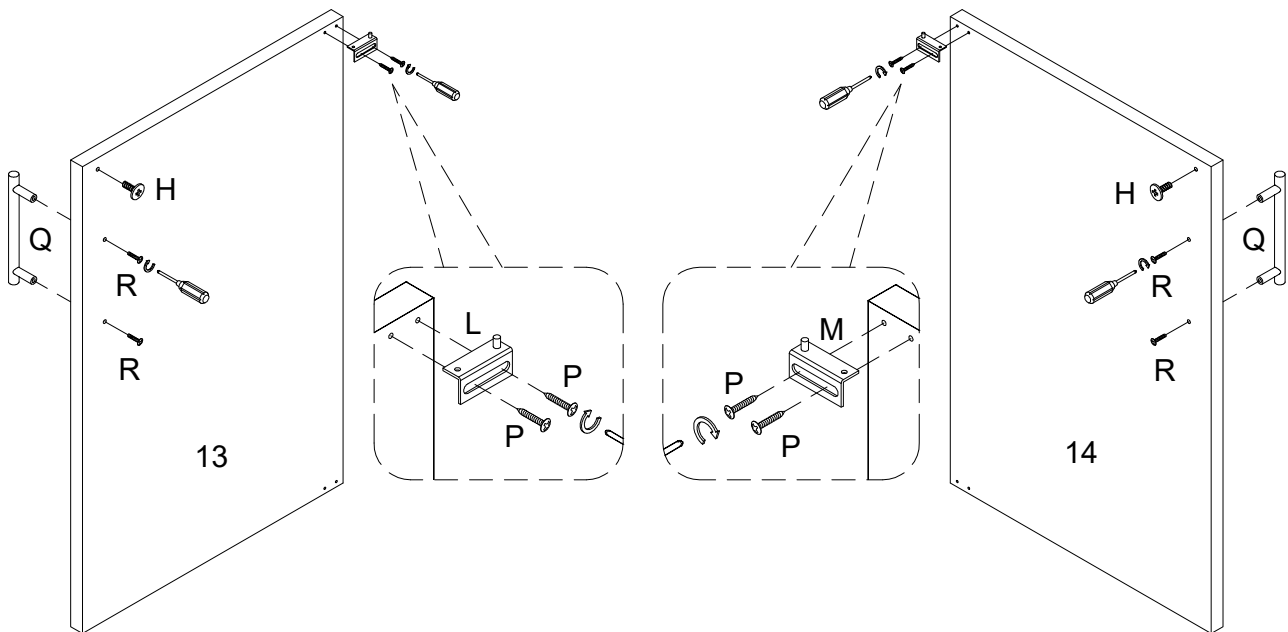
Insert shelf support pin (F) into part (3,4).

## Step 12



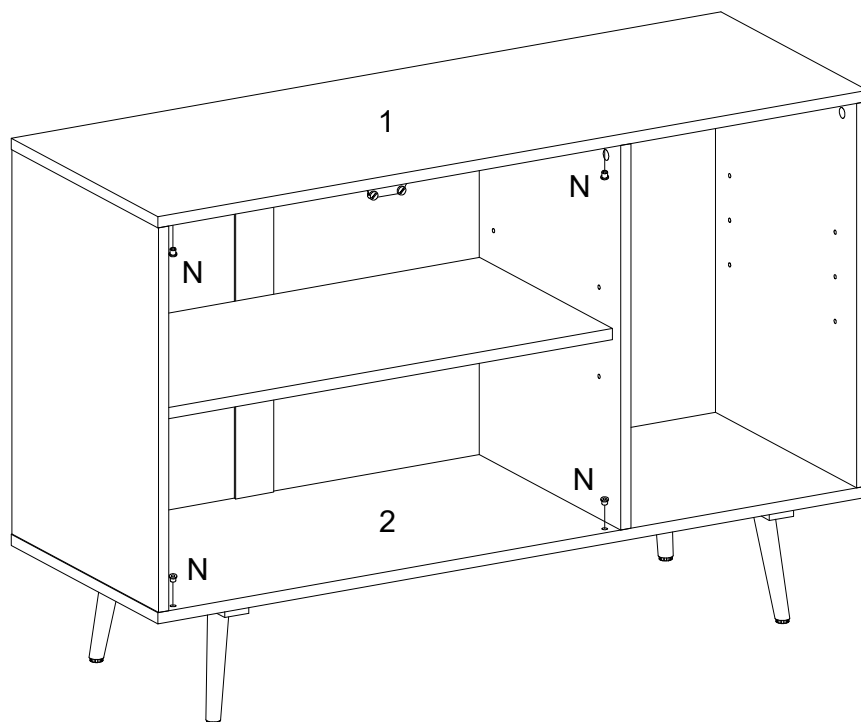
Place shelf (8) on top of support pin.

## Step 13



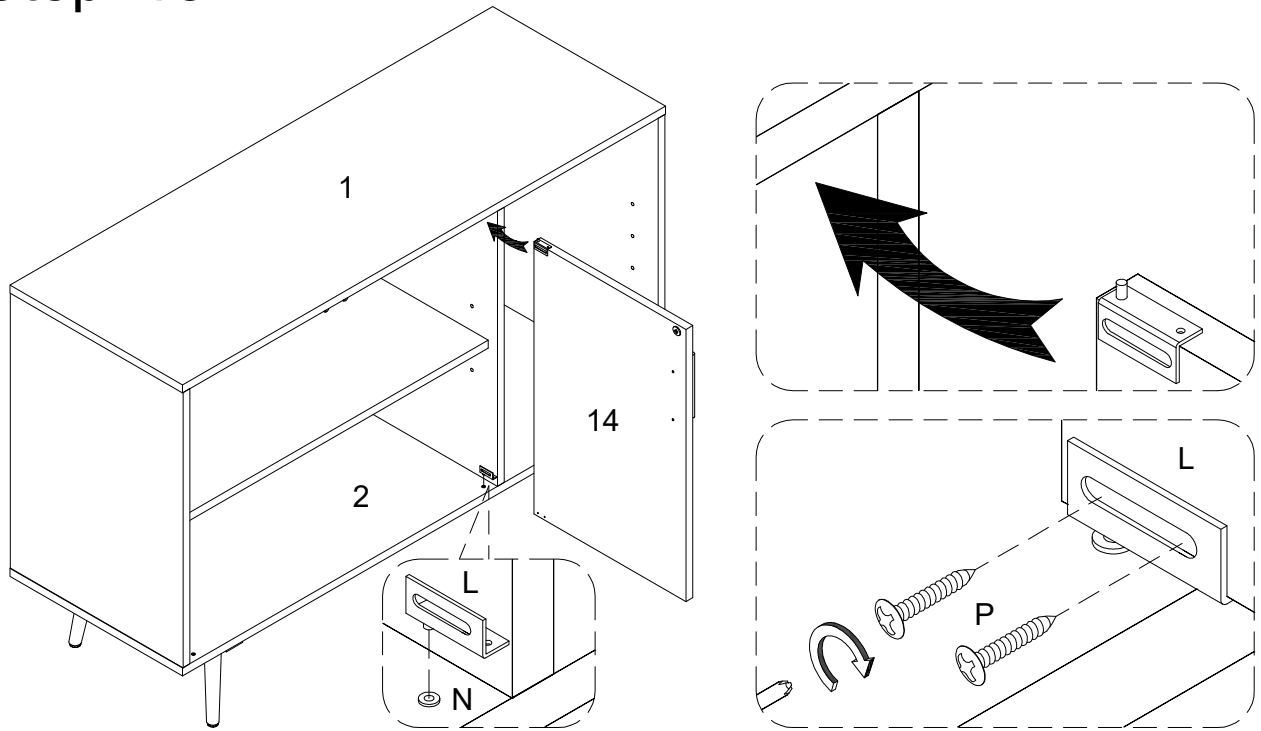
Attach handle (Q) to part (13,14) using handle bolt (R) with screwdriver. Attach door hinge (L,M) to part (13,14) using screw (P) with screwdriver. Secure bolt (H) to part (13,14).

## Step 14



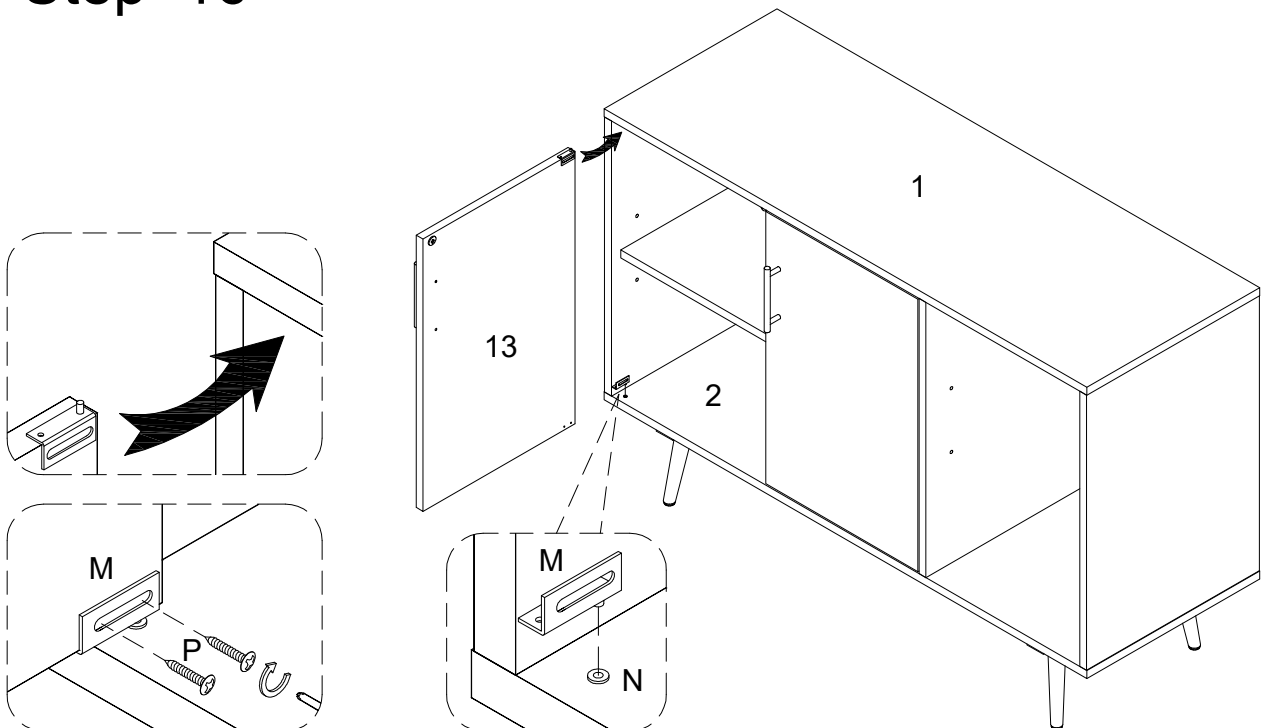
Place plastic pivot (N) over holes as per diagram.

## Step 15



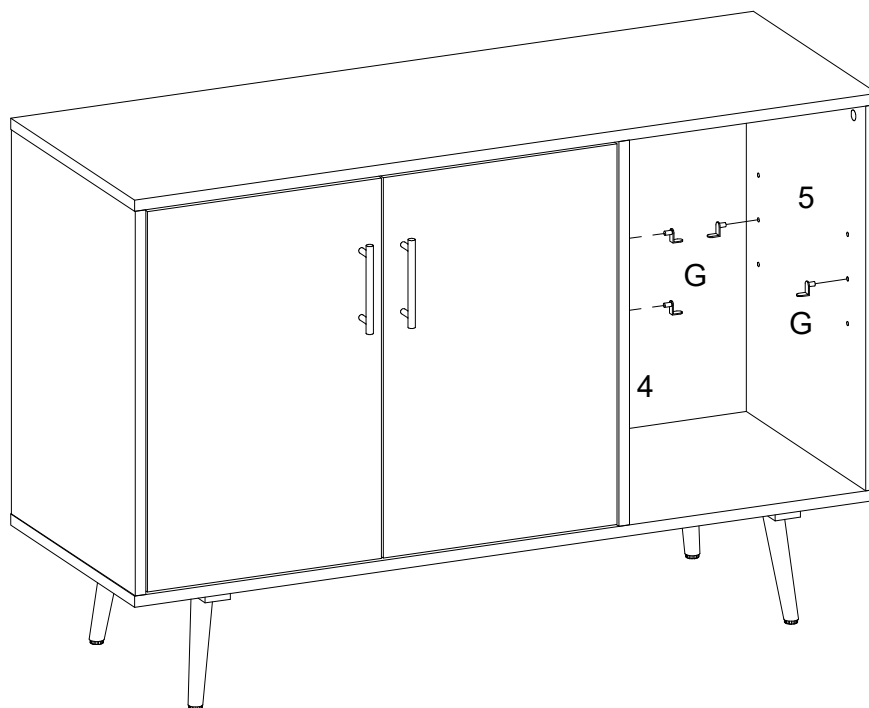
Place door hinge (L) into plastic pivot (N) on part (2). Insert top door hinge into plastic pivot (N) on part (1), then slide the door (14) into the bottom hinge (L). Secure door by tightening door hinge (L) using screws (P) with equal pressure.

## Step 16



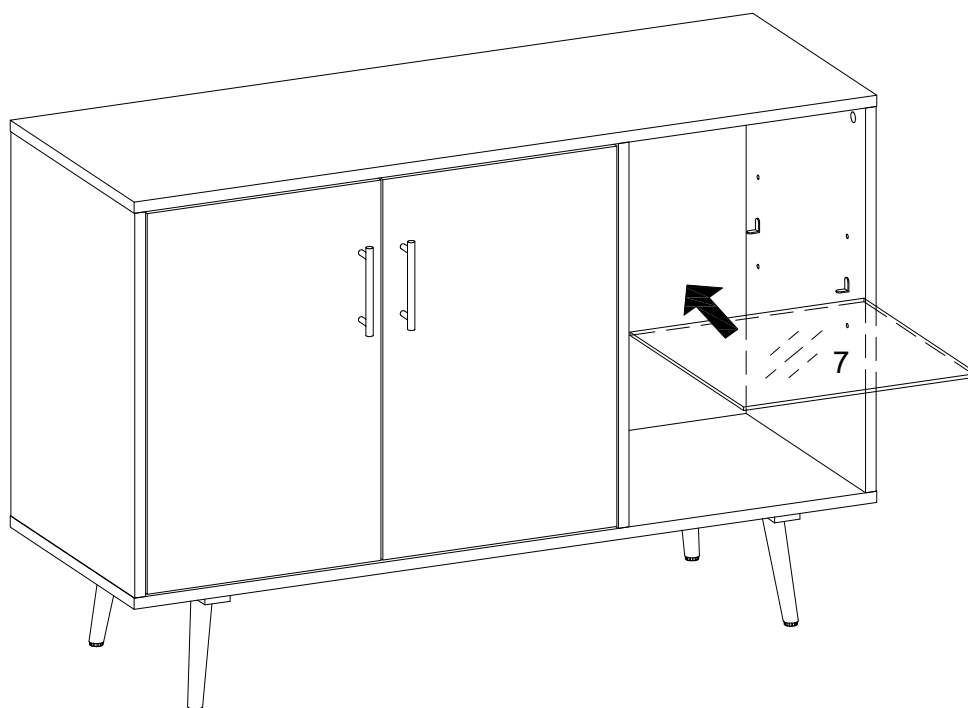
Place door hinge (M) into plastic pivot (N) on part (2). Insert top door hinge into plastic pivot (N) on part (1), then slide the door (13) into the bottom hinge (M). Secure door by tightening door hinge (M) using screws (P) with equal pressure.

## Step 17



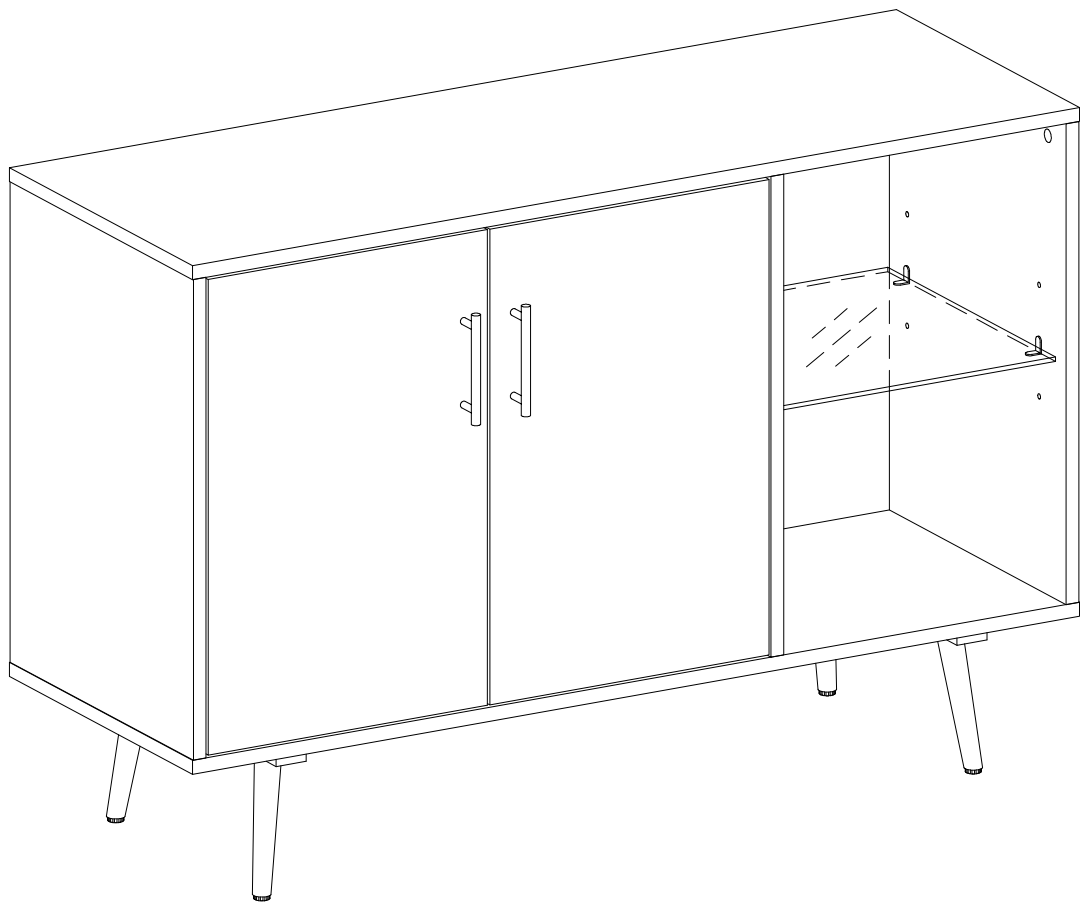
Insert glass holder (G) into part (4,5).

## Step 18



Place glass (7) on top of glass holder carefully.

# Step 19



Final Assembly