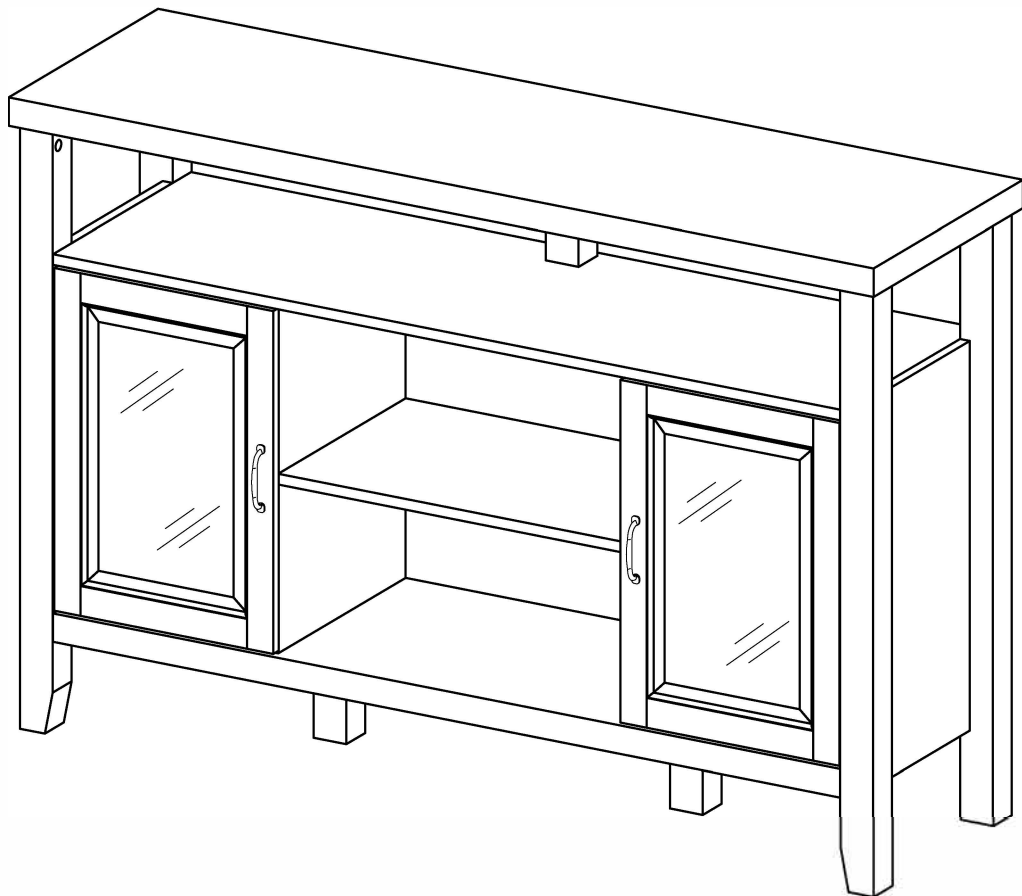


Item # : BU52JOR  
Assembly Instructions

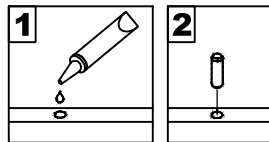


*Please visit our website for the most current instructions, assembly tips, report damage, or request parts. [www.walkeredison.com](http://www.walkeredison.com)*

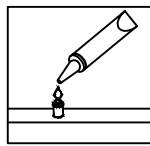
Revised 01/2018

# General Assembly Guidelines

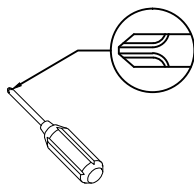
- I. Ensure that all parts and hardware are available before beginning assembly.
- II. Follow each step carefully to ensure the proper assembly of this product.
- III. Two people are recommended for ease in the assembly of this product.
- IV. The three main types of hardware used to assemble this product are : wood dowels , screws and bolts.
- V. The provided glue is to secure wood dowels in place . When first inserting dowels , locate the appropriate hole for the dowel , place a small amount of glue in the hole and insert the dowel . Wipe away excess glue immediately.



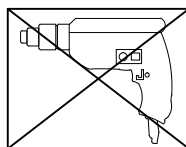
In future assembly steps when dowels are necessary to attach assembly parts together , place a small amount of glue on the end of the dowel before attaching parts together . Wipe away excess glue immediately.



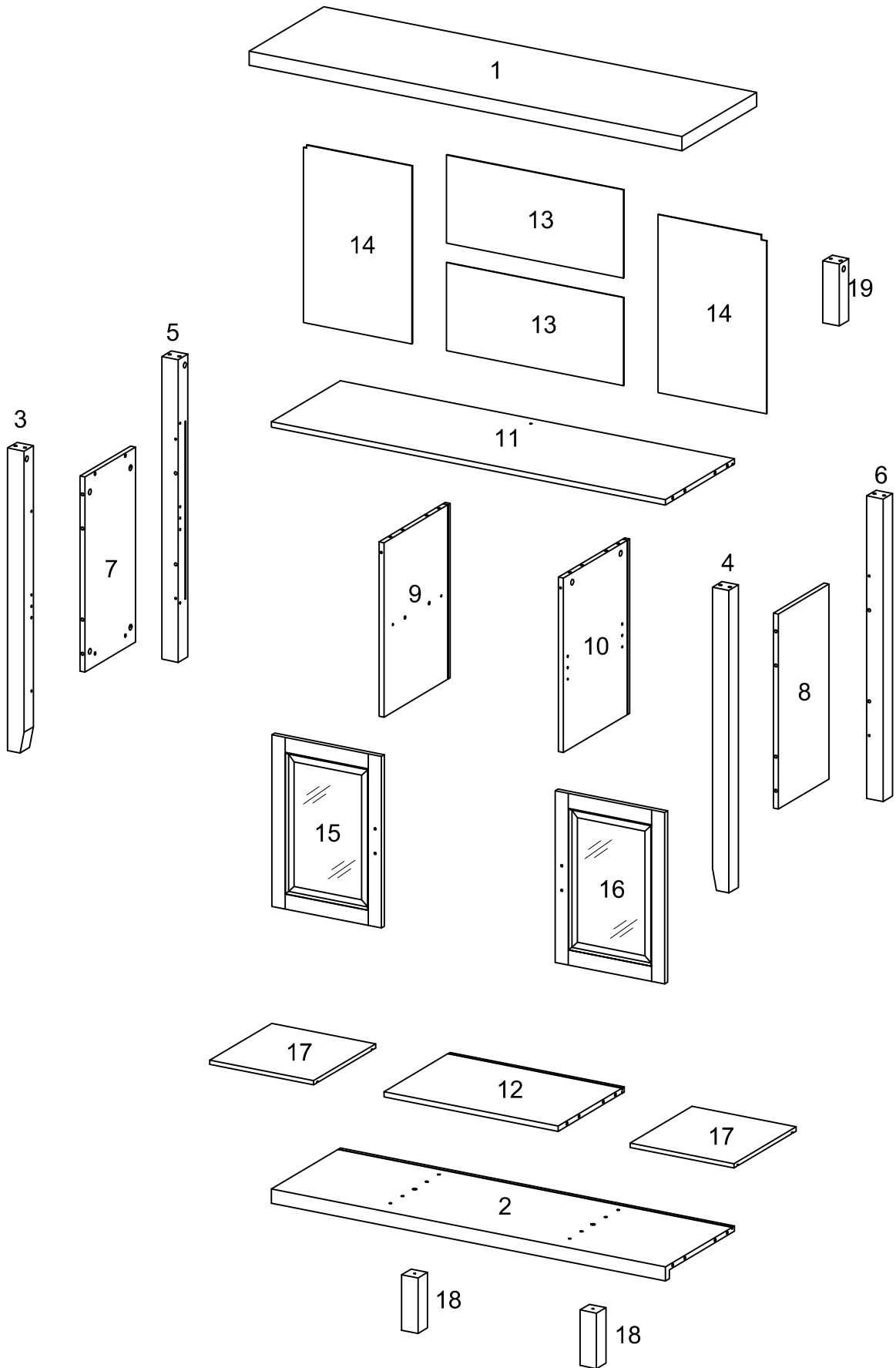
- VI. A Phillips head screwdriver is required for the assembly of this product .




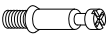

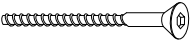




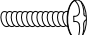
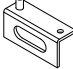
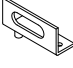


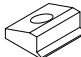
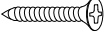
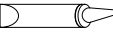


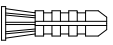


- VII. Power tools should not be used to assemble this product .

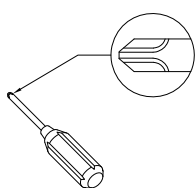


# Parts List



# Hardware List

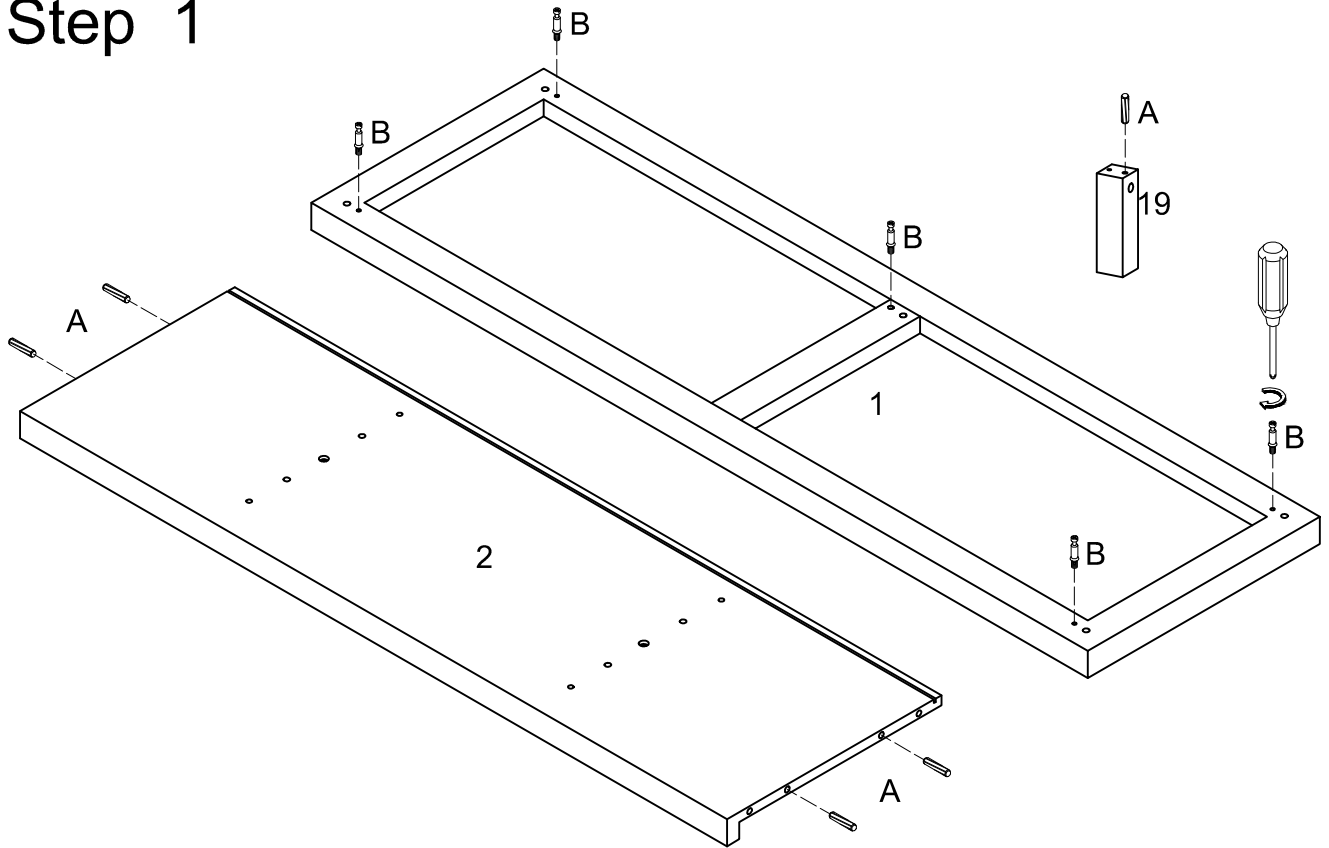
A		Ø8x30mm	Wooden dowel	33 pcs
B		Ø6x35mm	Cam bolt	29 pcs
C		Ø15x11mm	Cam lock	29 pcs
D		Ø6x50mm	Bolt	7 pcs
E		Ø4mm	Wrench	1 pc
F		Ø5x8x16mm	Shelf support pin	8 pcs
G		Ø3x12mm	Screw	8 pcs
H			Handle	2 pcs
I		Ø4x22mm	Bolt	4 pcs
J		40x15.5x15mm	Door Hinge	2 pcs
K		40x15.5x15mm	Door Hinge	2 pcs
L		Ø30mm	Sticker	29 pcs
M		Ø9.5x12mm	Plastic pivot	4 pcs
N			Plastic wedges	16 pcs
O		Ø3x17mm	Screw	16 pcs
P			Glue tube	1 pc
Q		60x15x2mm	Flat plate	2 pcs
R		Ø4x12mm	Screw	2 pcs
S		Ø8x30mm	Plug	2 pcs
T		Ø3x26mm	Screw	2 pcs
U			Bolt	2 pcs



Philips head screwdriver required for assembly  
(not included)

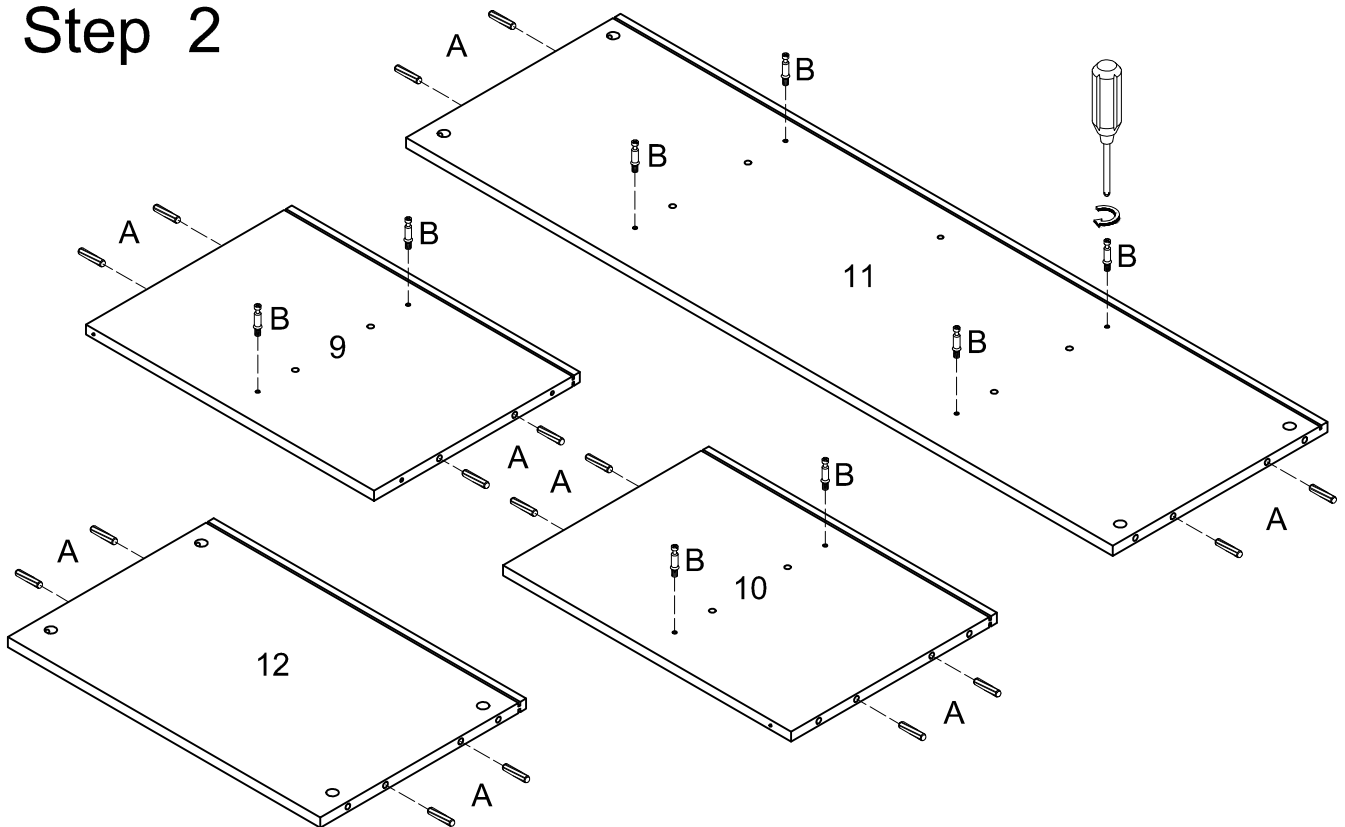
*The hardware quantities listed above are required for proper assembly.  
Some extra hardware may also have been included.*

# Step 1



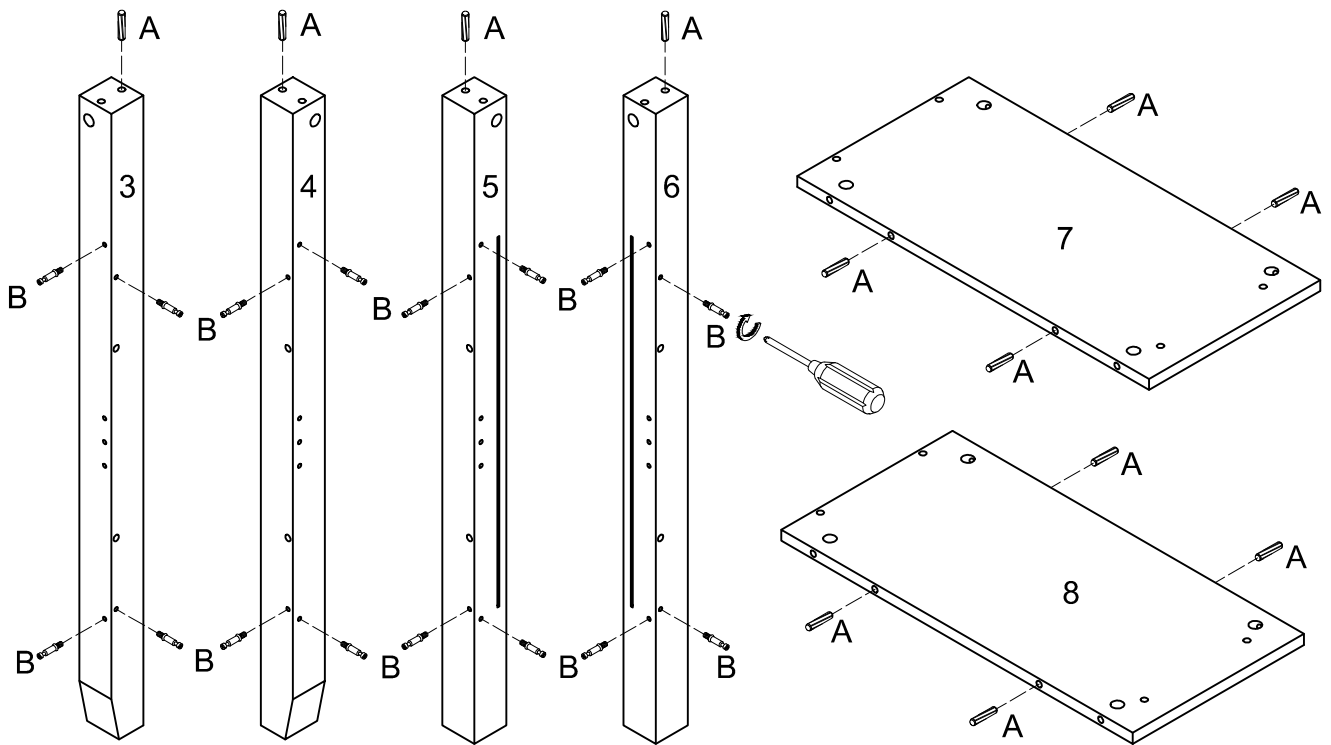
Insert wooden dowel (A) to bottom panel (2) and part (19). Secure cam bolt (B) to top panel (1).

# Step 2



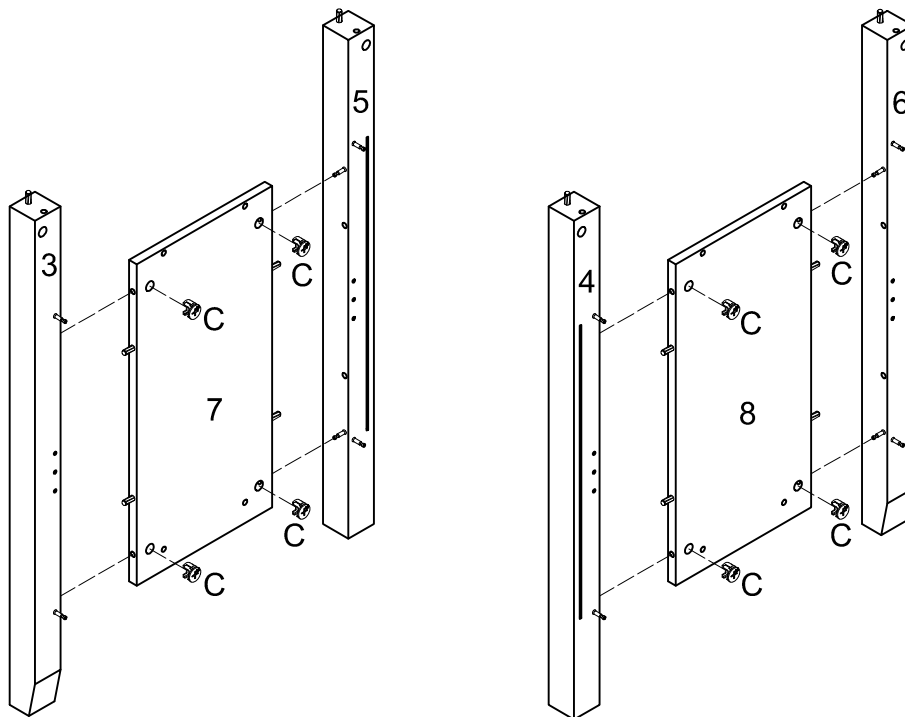
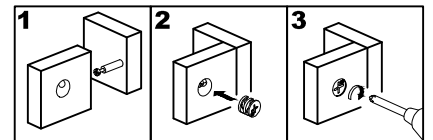
Insert wooden dowel (A) to shelf (11,12), and side panel (9,10).  
Secure cam bolt (B) to shelf (11), and side panel (9,10).

# Step 3



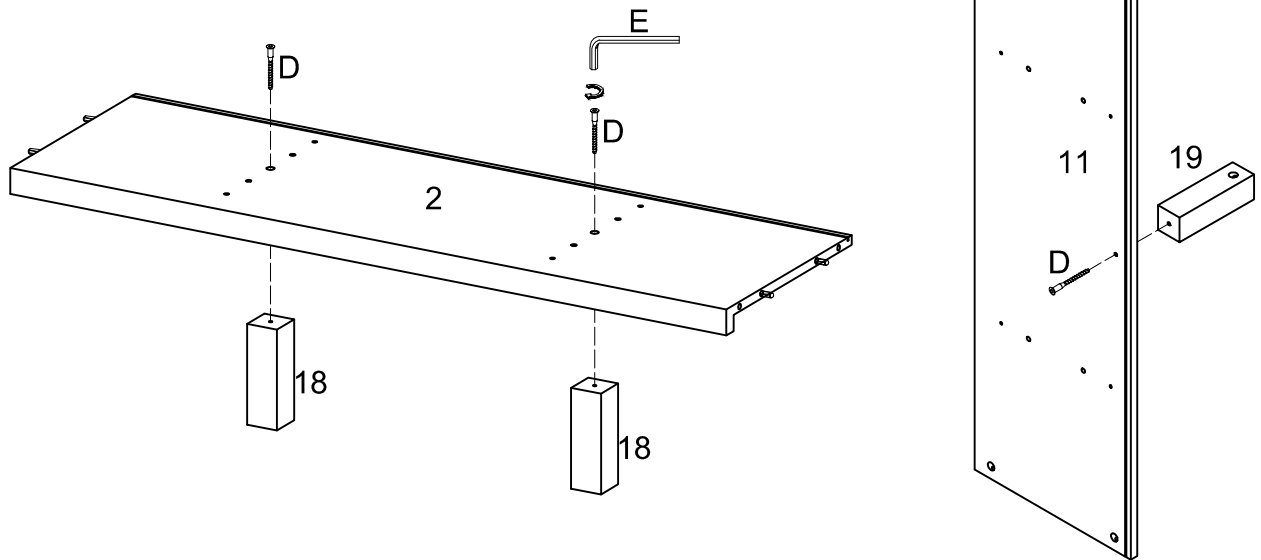
Insert wooden dowel (A) to part (3,4,5,6), and side panel (7,8).  
Secure cam bolt (B) to part (3,4,5,6).

# Step 4



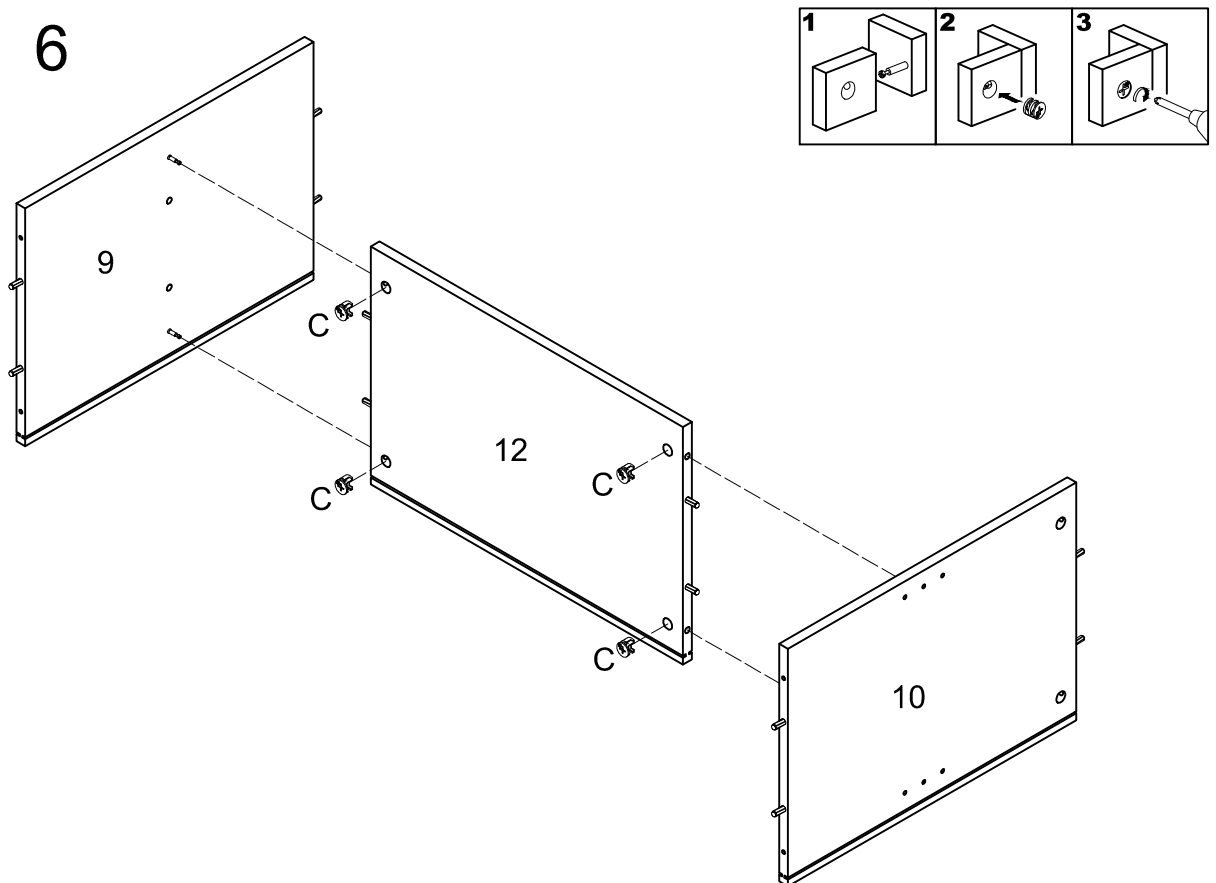
Insert side panel (7,8) into part (3,4,5,6), then insert and secure cam lock (C) to side panel (7,8) to lock it.

# Step 5



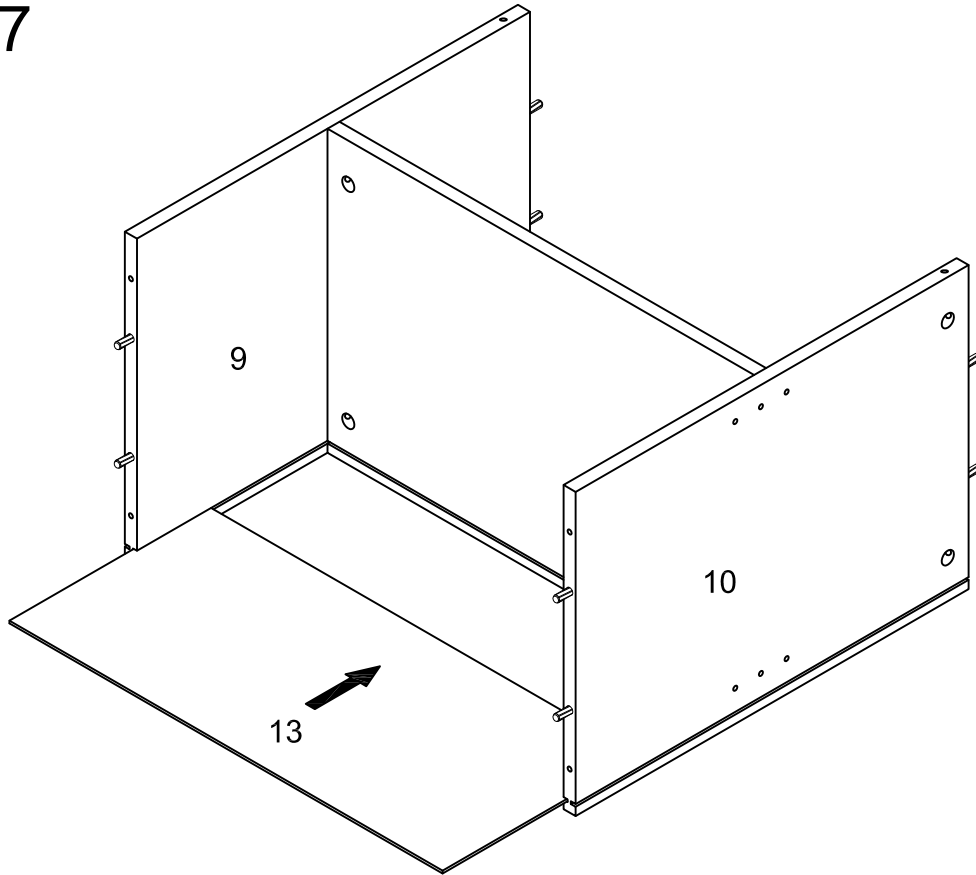
Use wrench (E) to secure leg (18) to bottom panel (2) with bolt (D), and secure part (19) to shelf (11).

# Step 6



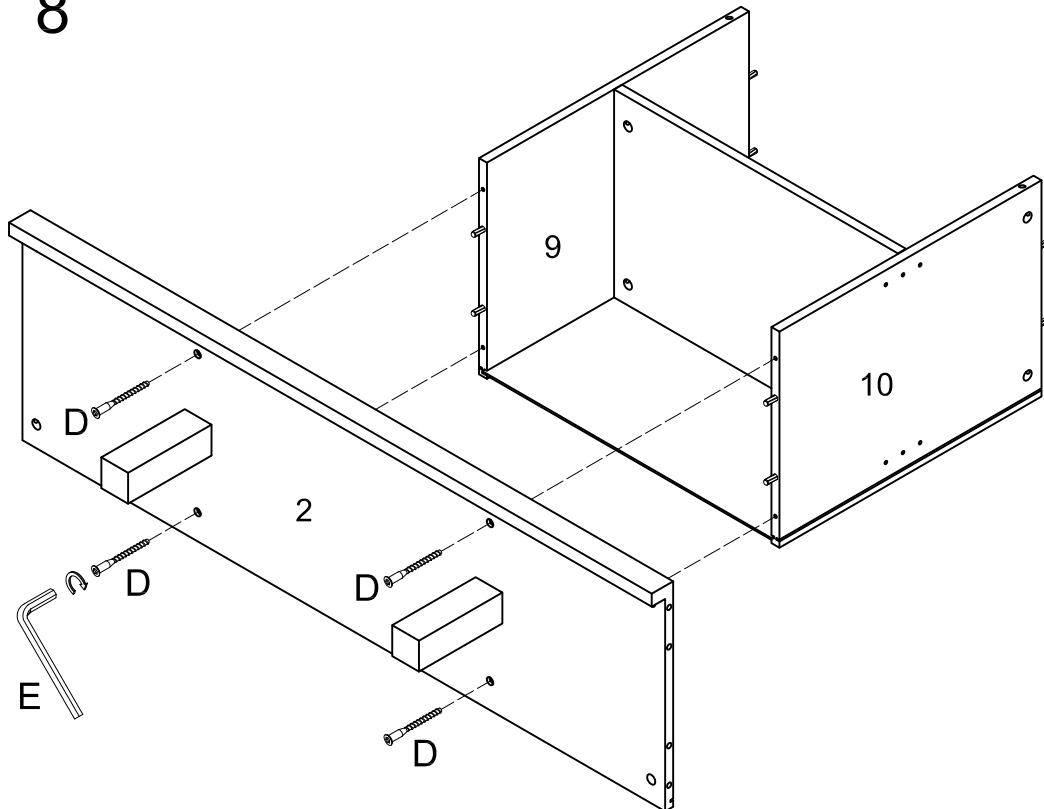
Insert shelf (12) into side panel (9,10), then insert and secure cam lock (C) to shelf (12) to lock it.

## Step 7



Slide back panel (13) into grooves as per diagram.

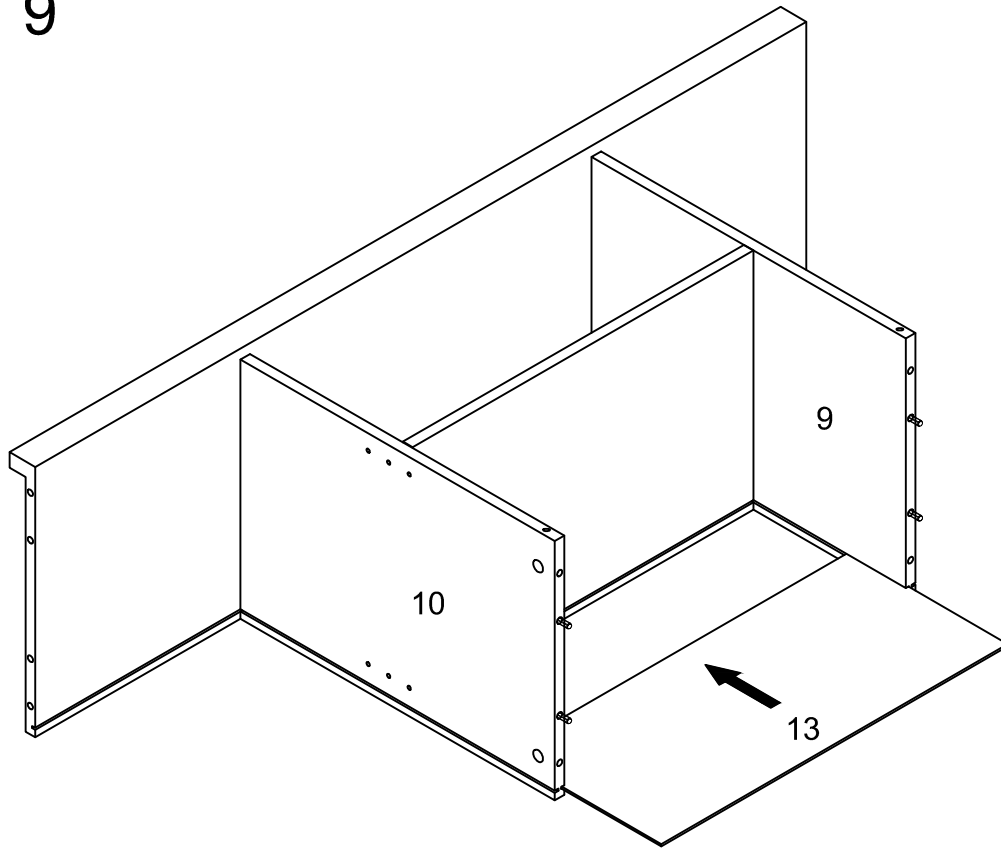
## Step 8



Use wrench (E) to secure bottom panel (2) to side panel (9,10) with bolt (D).

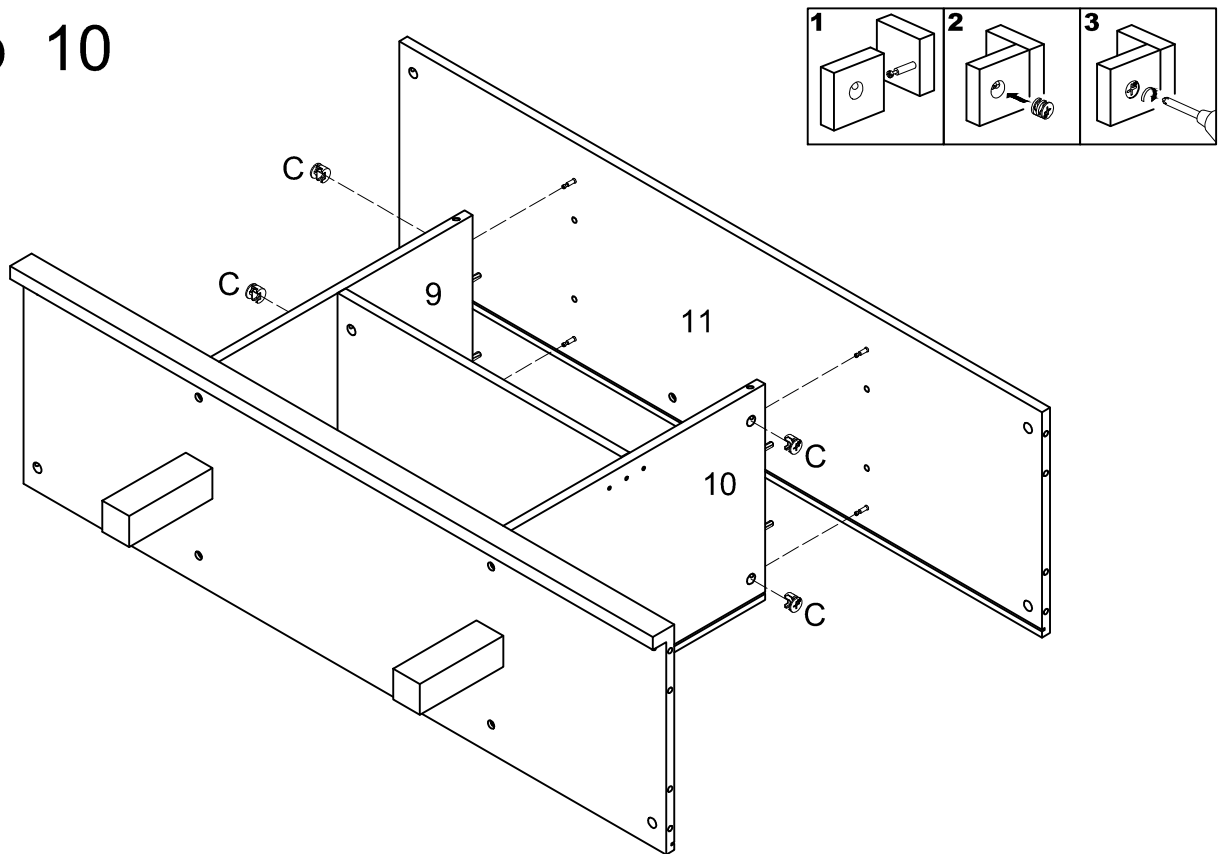


# Step 9



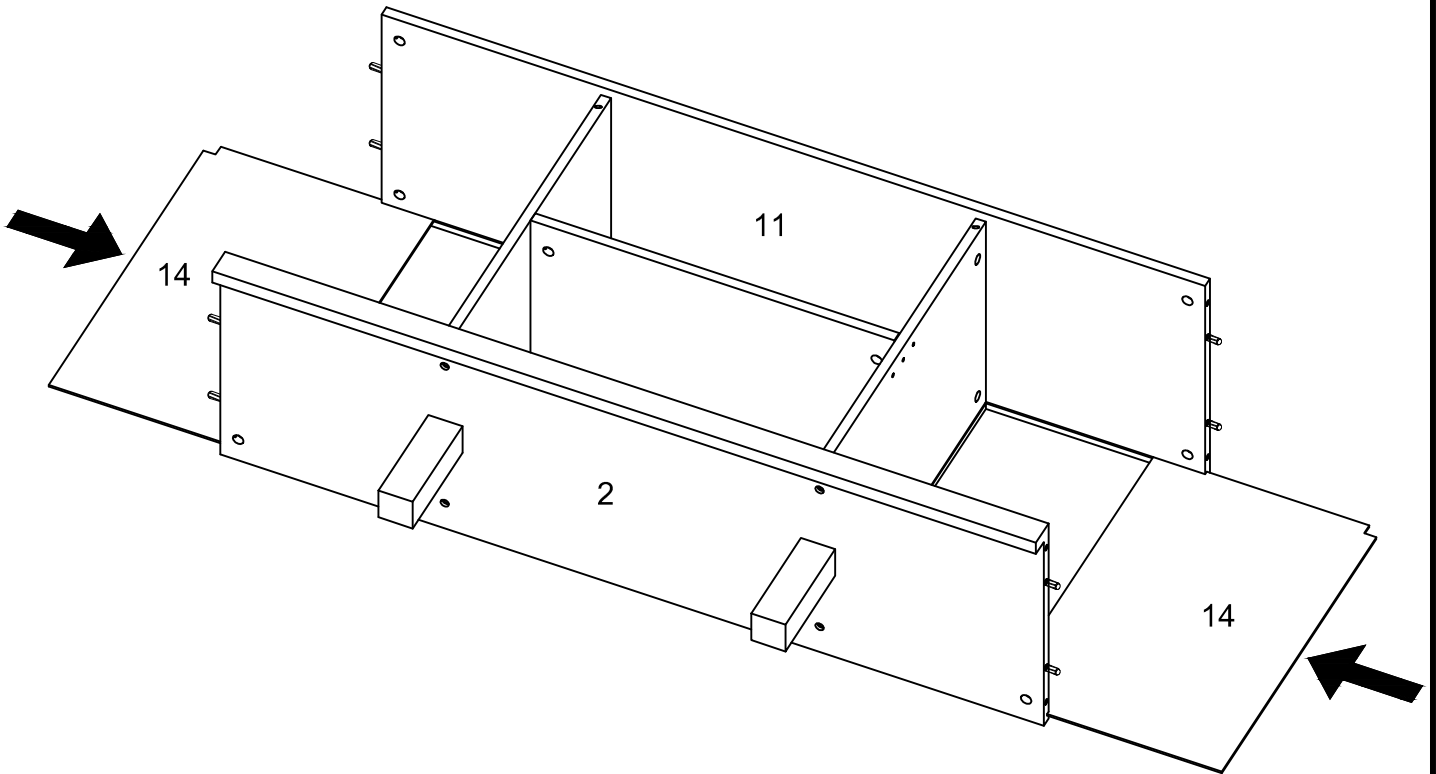
Slide back panel (13) into grooves as per diagram.

# Step 10



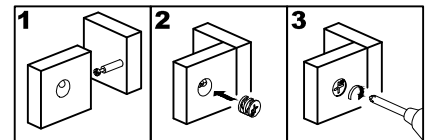
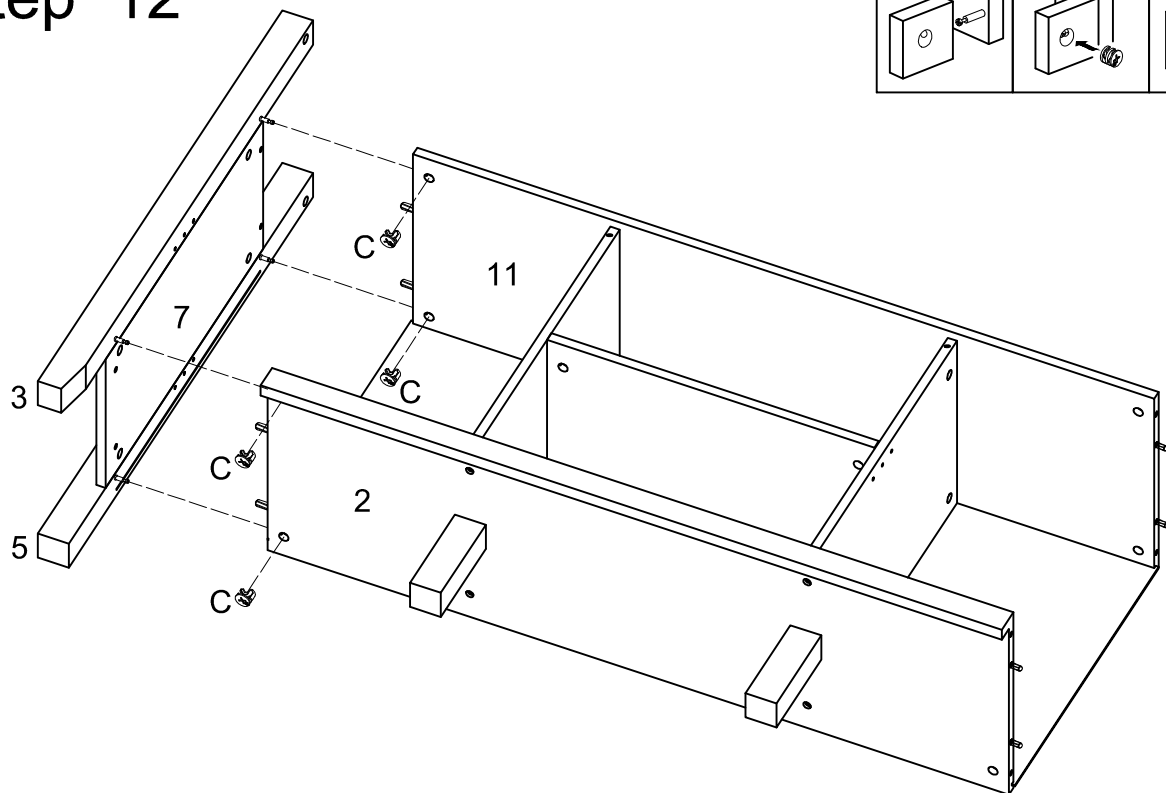
Insert side panel (9,10) into shelf (11), then insert and secure cam lock (C) to side panel (9,10) to lock it.

## Step 11



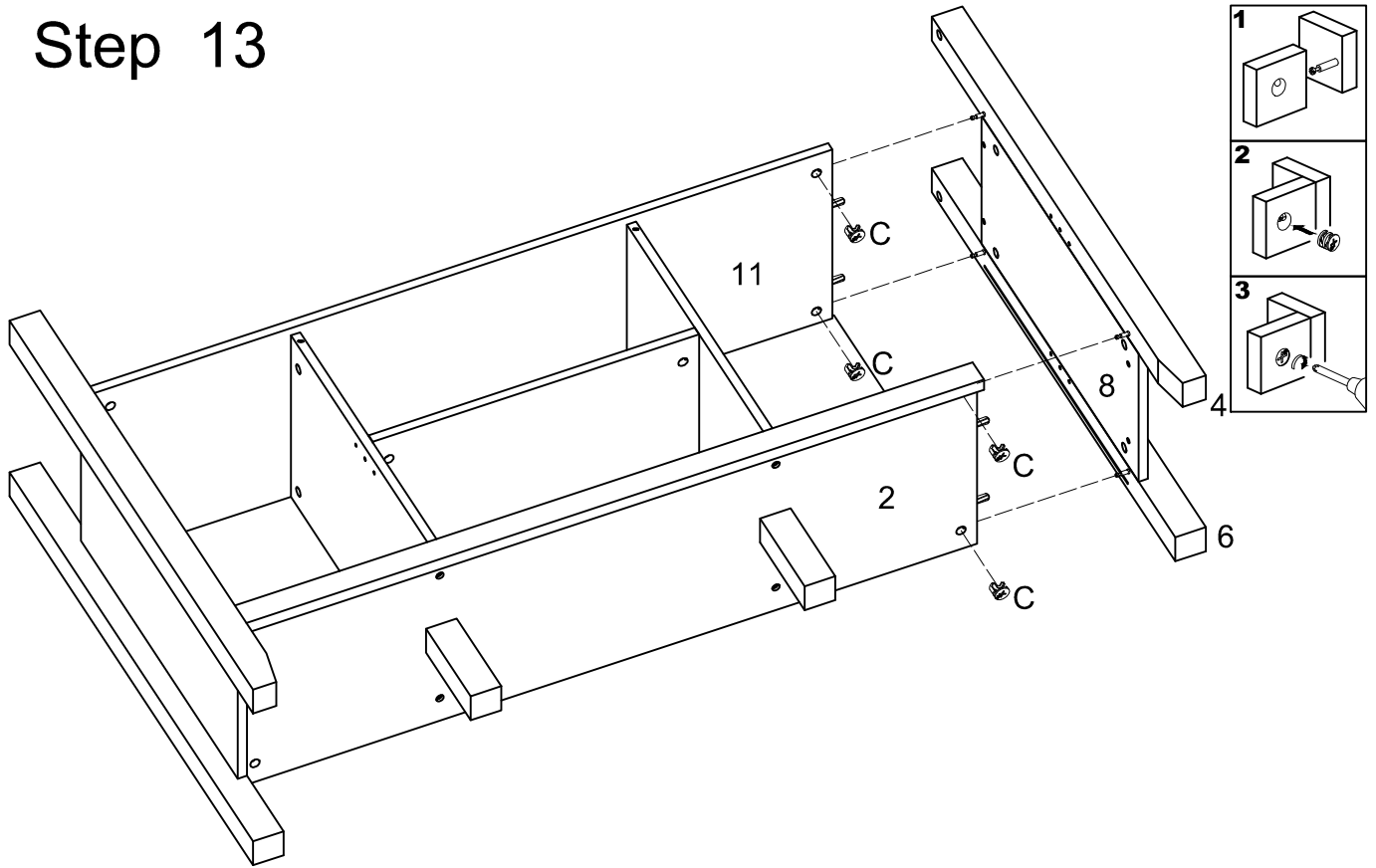
Slide back panel (14) into grooves as per diagram.

## Step 12



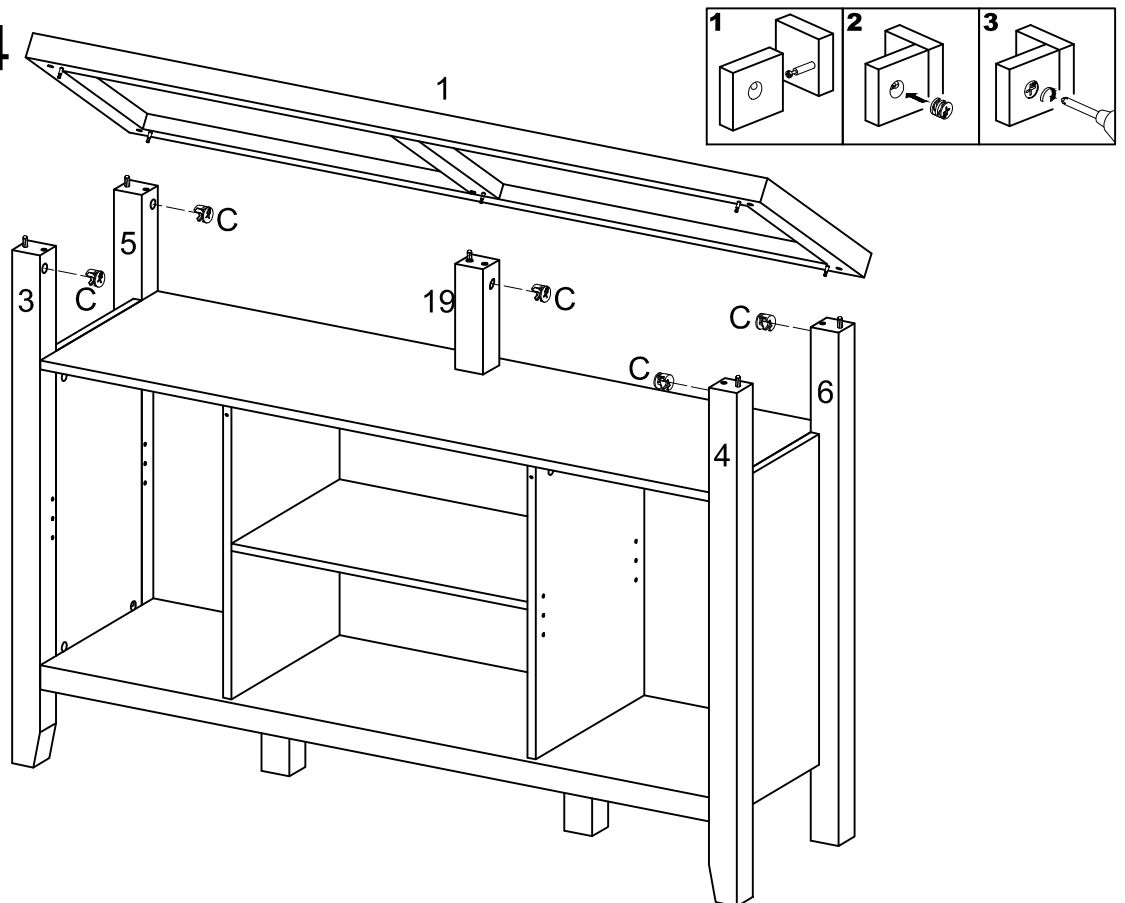
Insert bottom panel (2) and shelf (11) into side panel (7) and part (3,5), then insert and secure cam lock (C) to bottom panel (2) and shelf (11) to lock it.

# Step 13



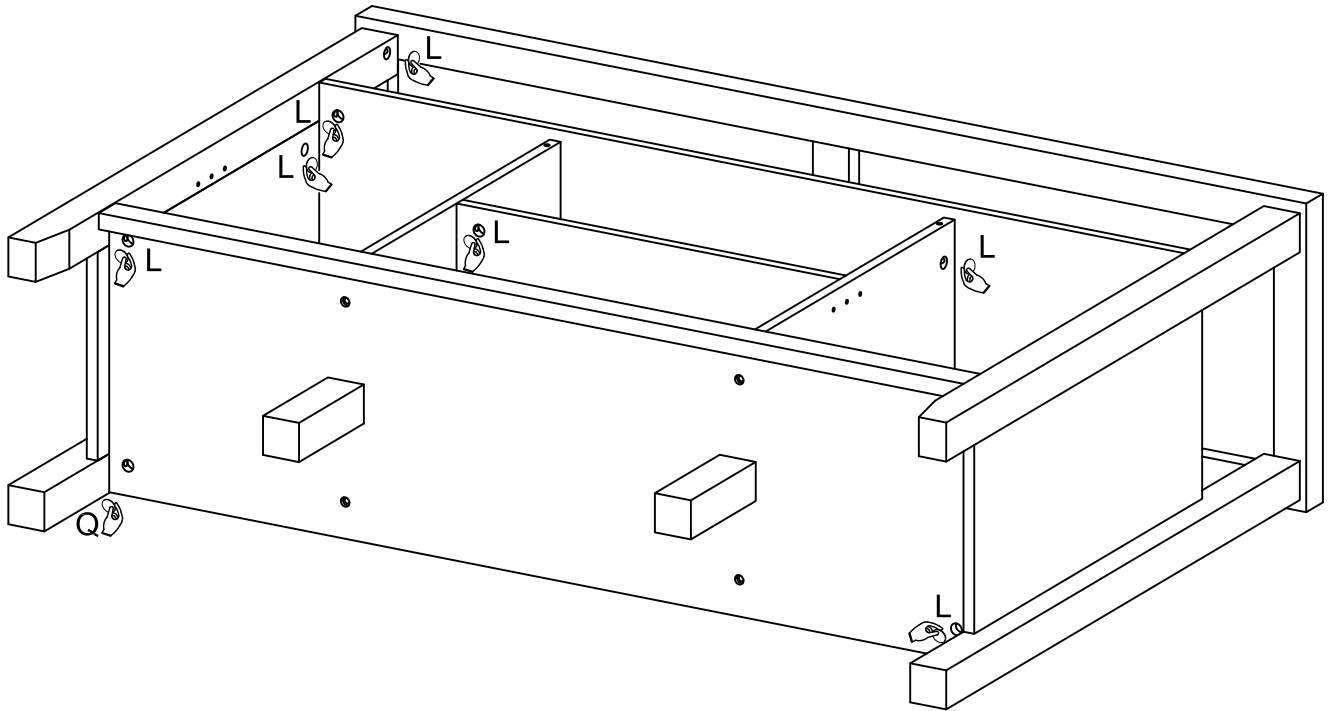
Insert bottom panel (2) and shelf (11) into side panel (8) and part (4,6), then insert and secure cam lock (C) to bottom panel (2) and shelf (11) to lock it.

# Step 14



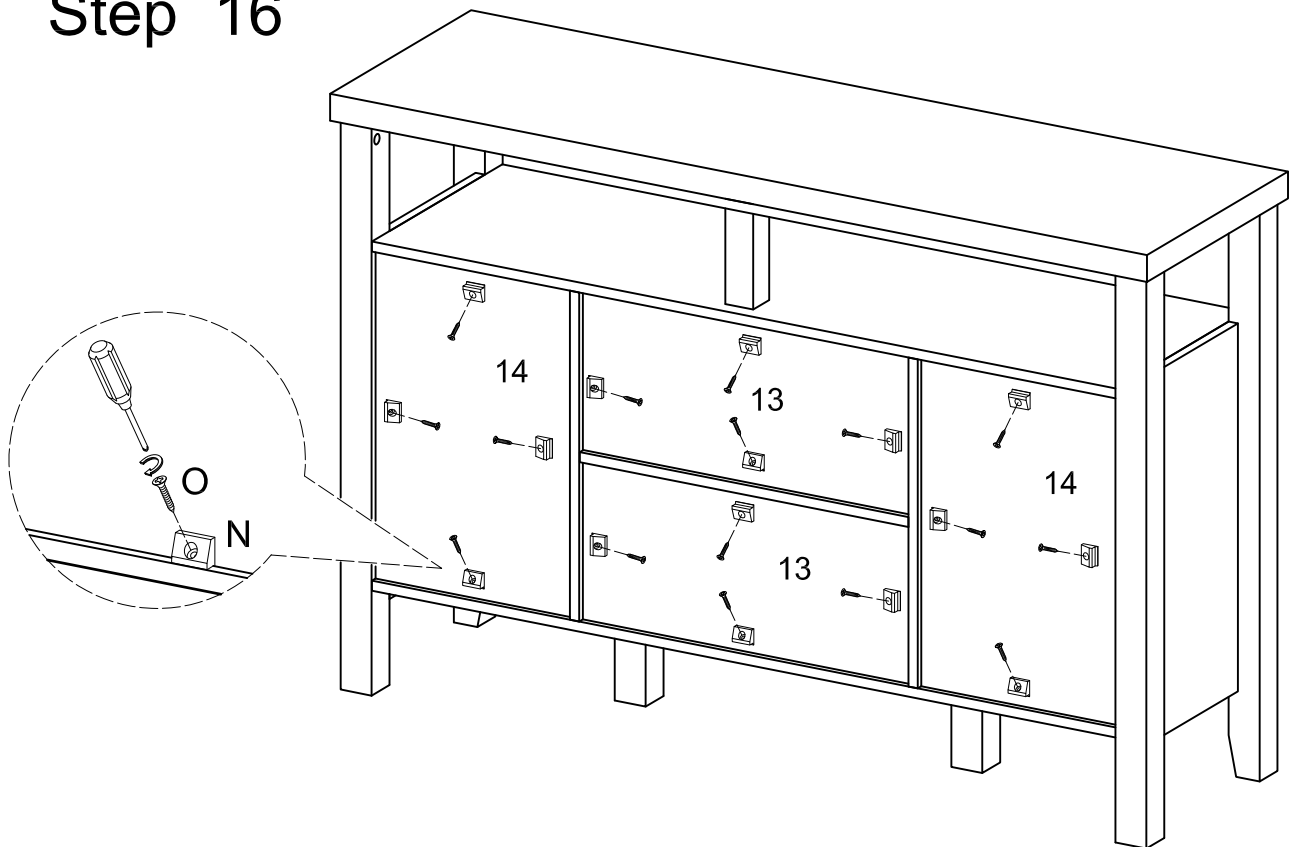
Insert top panel (1) into part (3,4,5,6,19), then insert and secure cam lock (C) to part (3,4,5,6,19) to lock it.

## Step 15



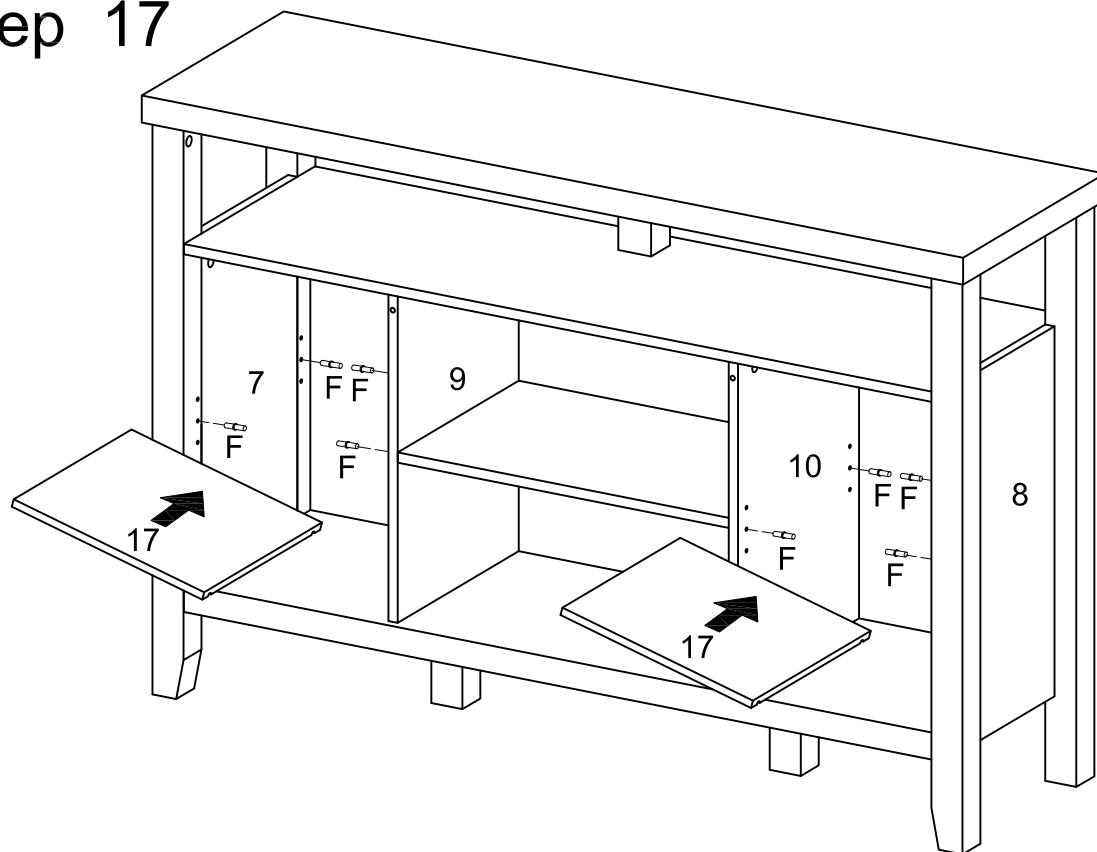
Place sticker (L) over holes as per diagram.

## Step 16



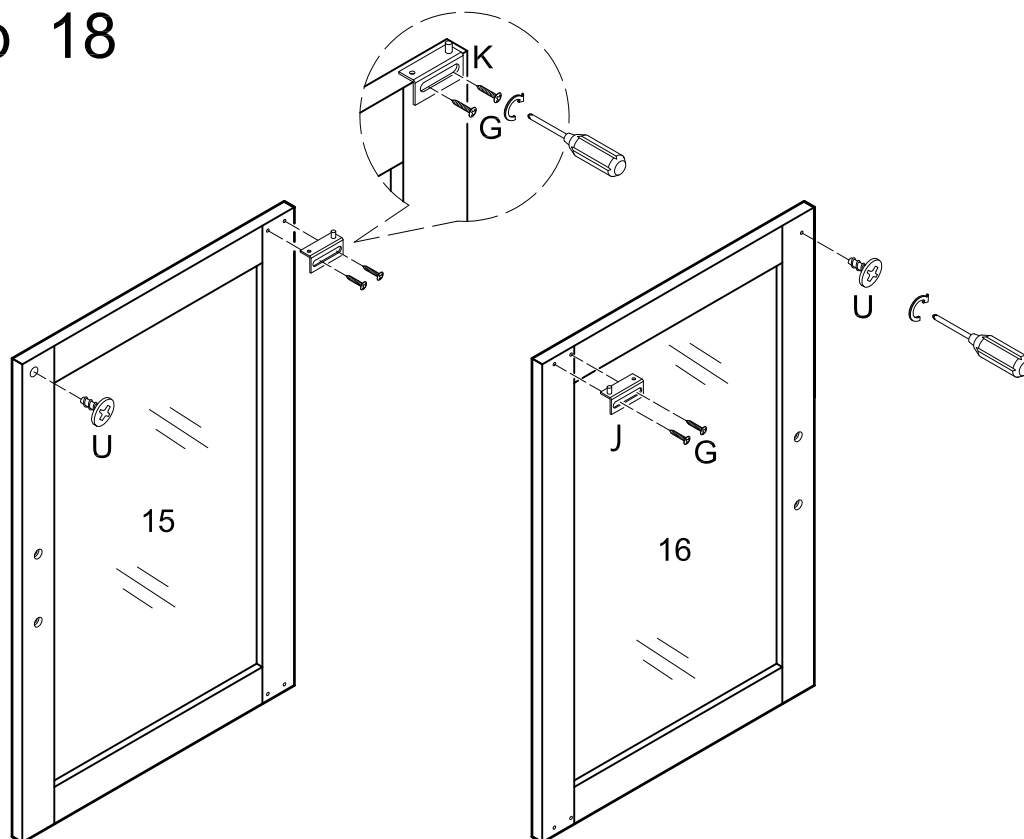
Secure plastic wedge (N) to back panel (13,14) with screw (O).

## Step 17



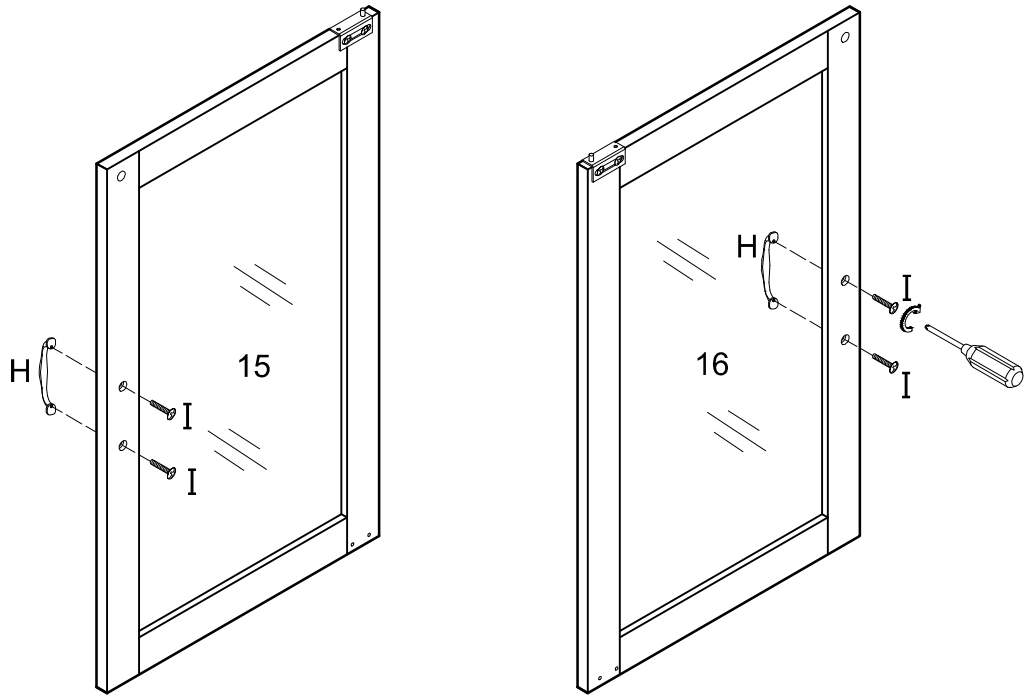
Insert shelf support pin (F) into side panel (7,8,9,10), then place shelf (17) on top of support pin (F).

## Step 18



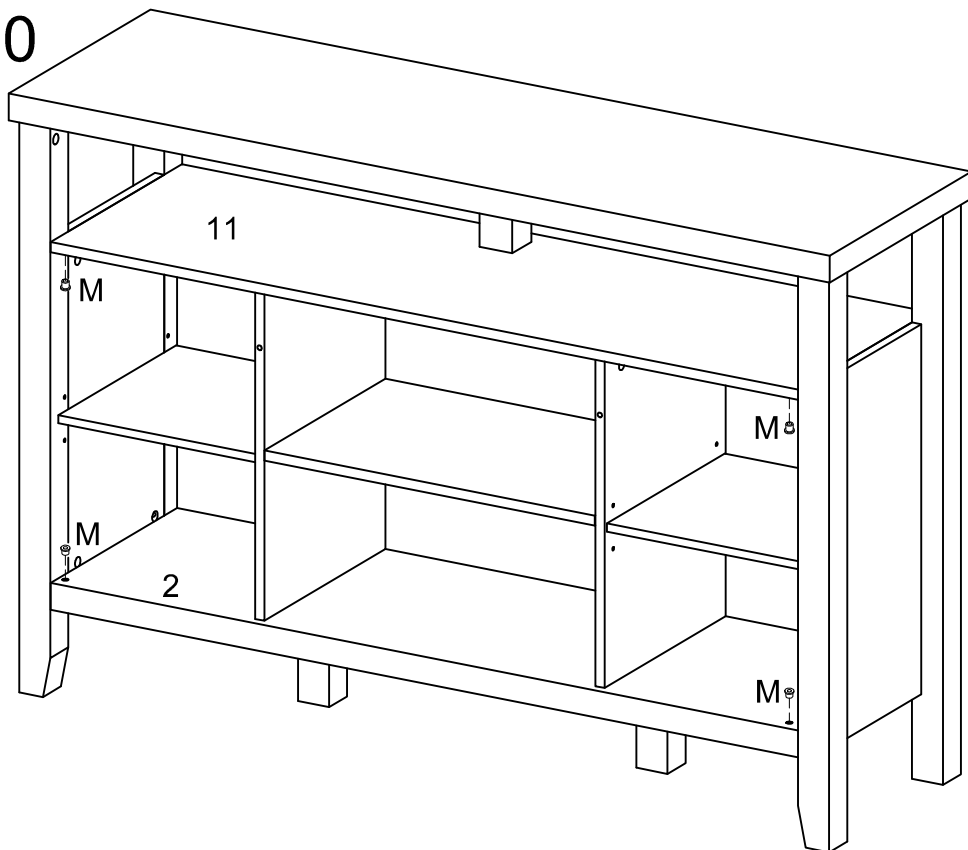
Secure bolt (U) to door (15,16), door hinge (J) to door (16) and door hinge (K) to door (15) with screw (G).

## Step 19



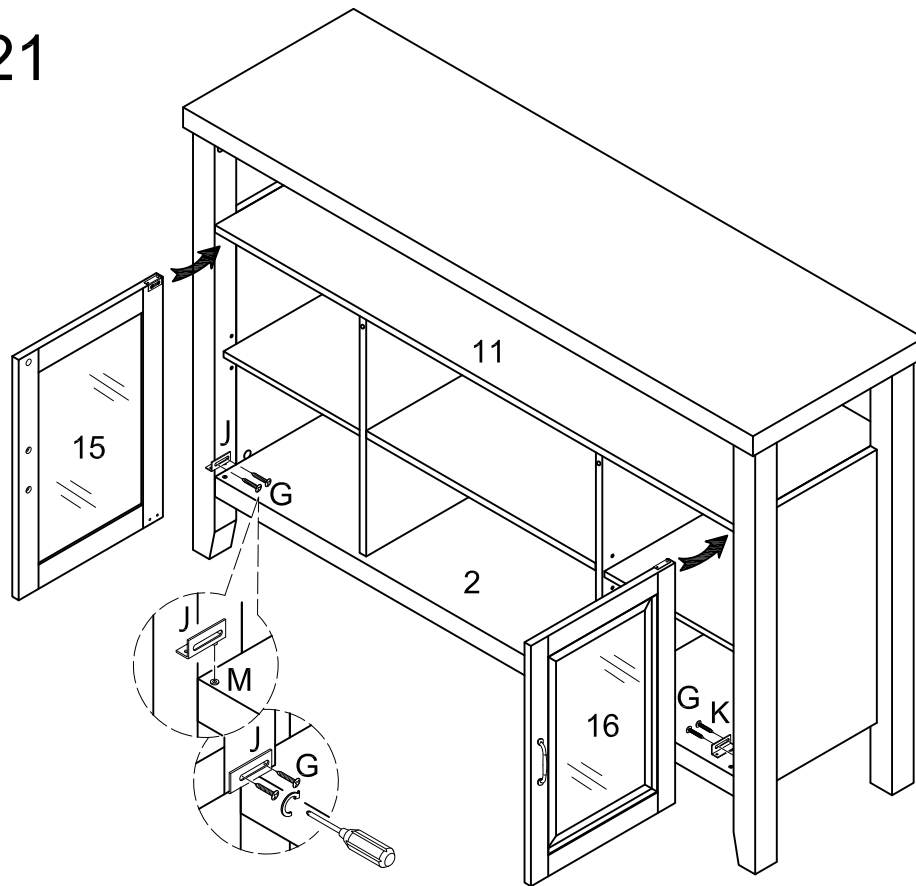
Secure handle (H) to door (15,16) with bolt (I).

## Step 20



Place plastic pivot (M) over holes as per diagram.

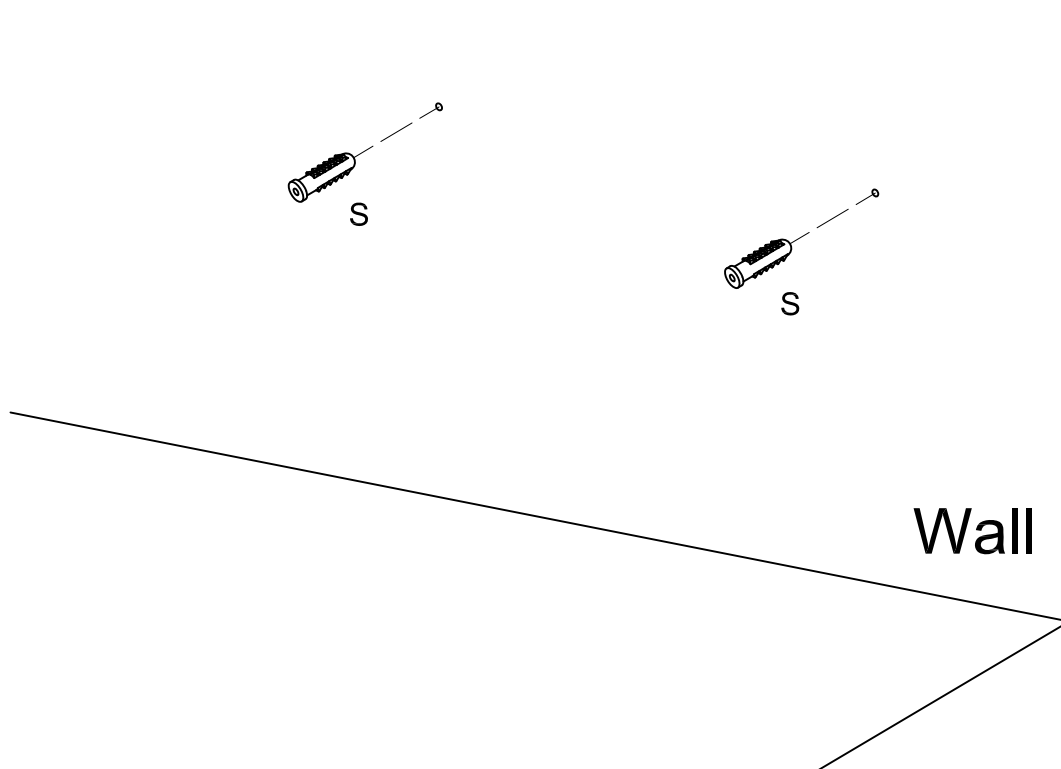
## Step 21



Insert door hinge (J,K) into panel hole as per diagram.

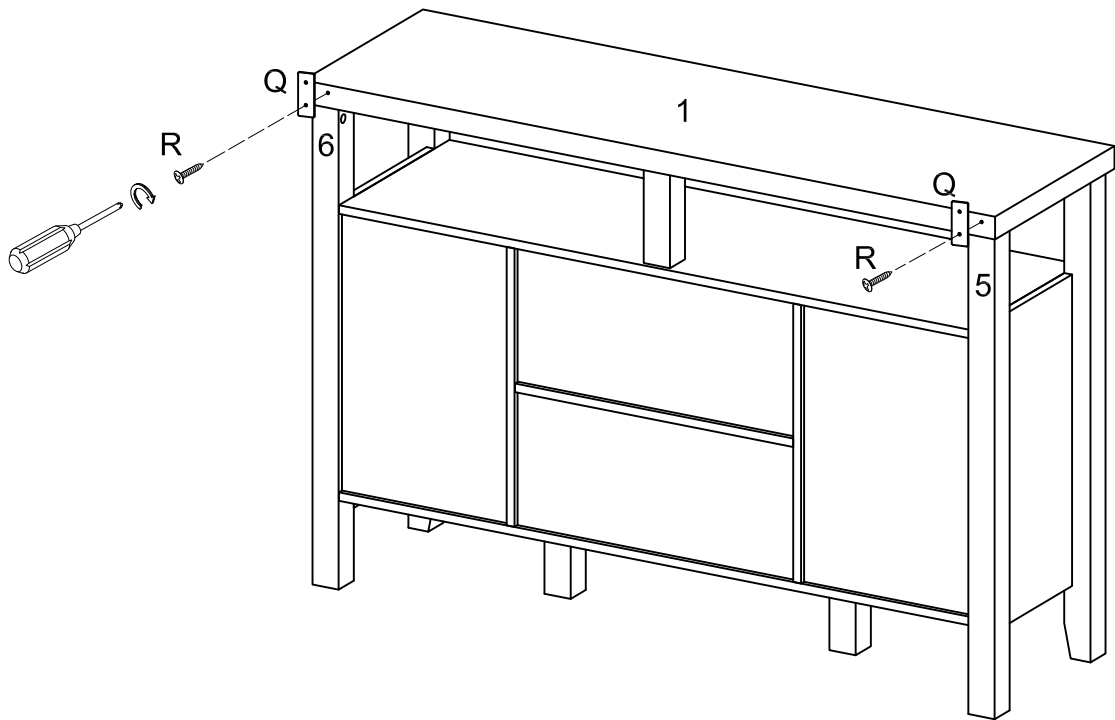
Slide door (15,16) onto door hinge (J,K) as shown in diagram and secure it with screw (G).

## Step 22



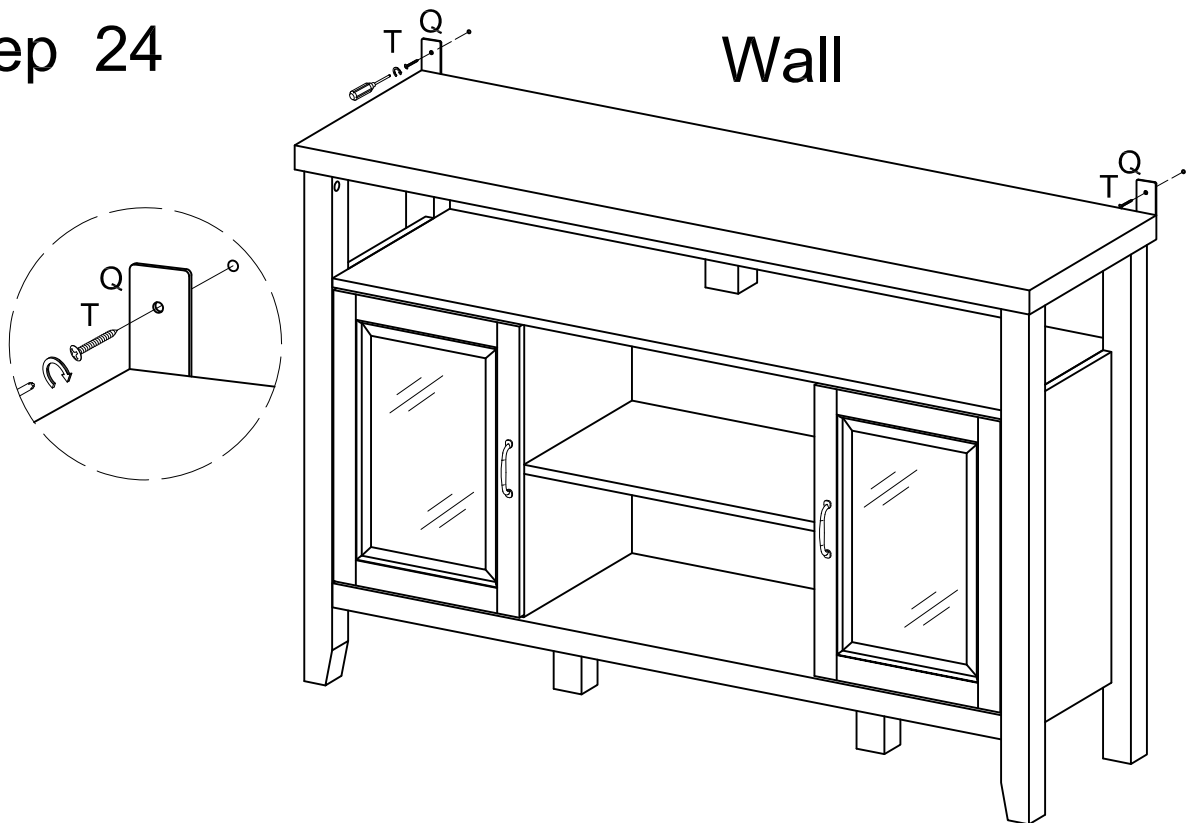
Place unit in desired location and mark the wall for anchor location. Insert plug (S) into wall as per diagram.

## Step 23



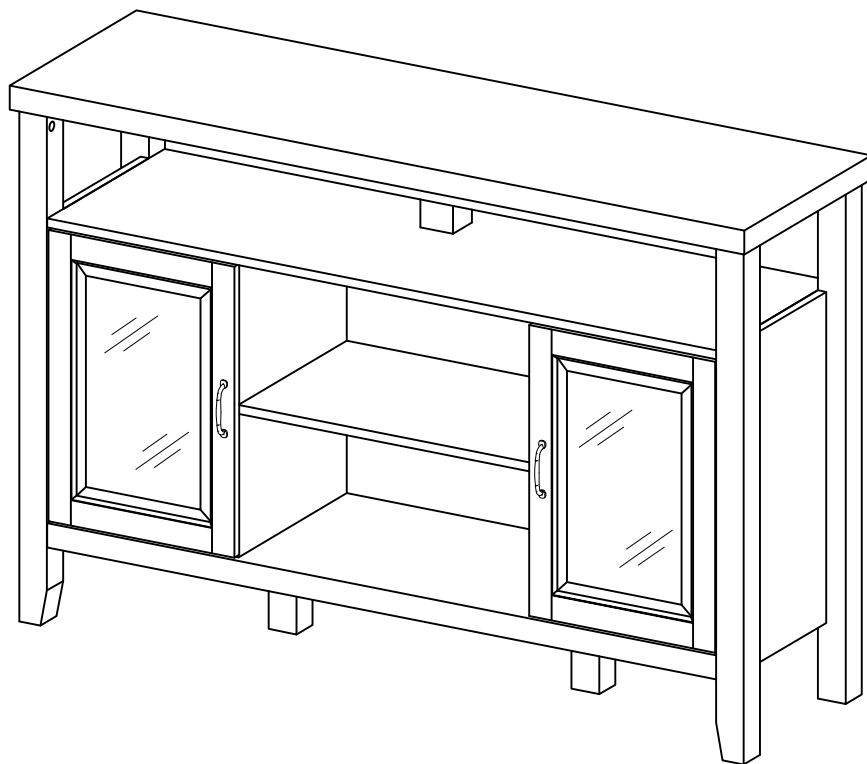
Secure flat plate (Q) to as shown in diagram with screw (R).

## Step 24



Secure product to wall with screw (T).





## Final Assembly