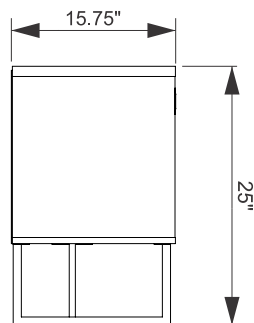
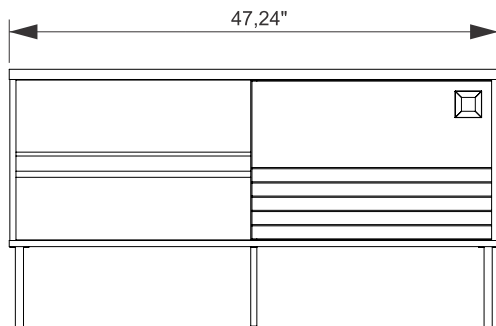
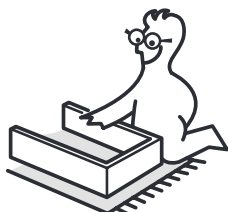
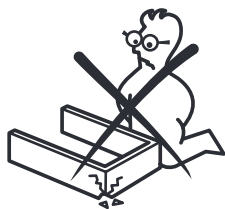


MANHATTAN
COMFORT

Loft TV Stand - Small

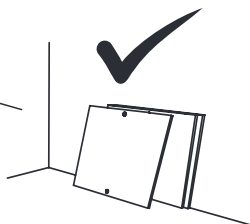
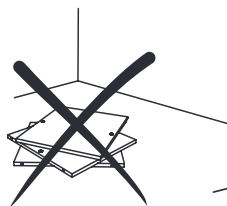
Model # 491921, 491922



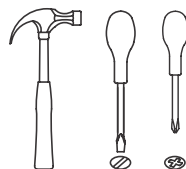


For Best Results

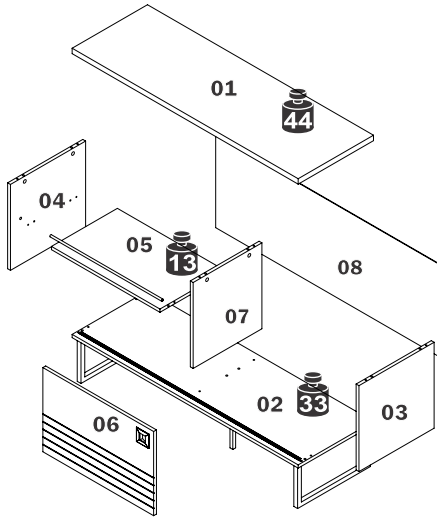
- Do not throw away packaging materials until assembly is complete.
- Assemble item on a soft surface, such as cardboard or carpet, to protect finish.
- Proper assembly requires two people.



Tools Required



Included in this Package



01	UPPER TOP	X1
02	LOWER TOP	X1
03	RIGHT SIDE	X1
04	LEFT SIDE	X1
05	SHELF	X1
06	DOOR	X1
07	DIVISION	X1
08	BACK	X1
09	FITTINGS	X1



9 Fittings

 A - HANDLE x1	 B - PULLEY x2	 C - 7X50MM SCREW x6	 D - 3,5X12MM SCREW x12	 E - FOOT x2	 F - 4X14MM SCREW x6	 G - CYLINDRICAL TUBE Ø9,5x593MM x1
 H - 6X30MM WOODEN DOWEL x16	 I - ALLEN WRENCH x1	 J - CENTER FOOT x1	 K - MINIFIX SCREW x10	 L - 15MM CONNECTOR x10	 M - WHITE GLUE x1	
 N - 10X10 NAIL x33	 O - TOP GUIDE x2	 P - 21MM SCREW COVER x6				

Where to find the items

Box 01	
01	06
02	07
03	08
04	09
05	

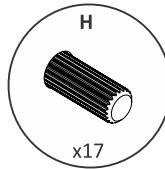
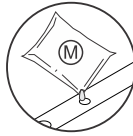
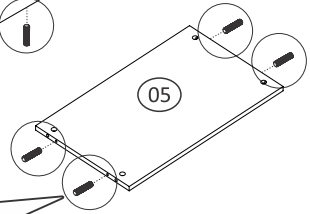
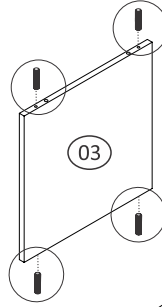
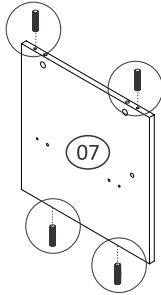
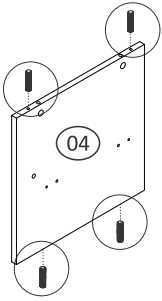
Assembly time: 120min

Tip of the number of people required for product assembly

Prepare the pieces

Step 1

Insert the wooden dowels (H) into parts 03, 04, 05 and 07. Remember to use the glue (M).

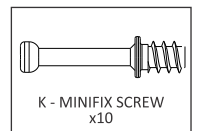
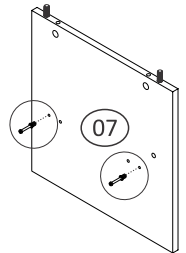
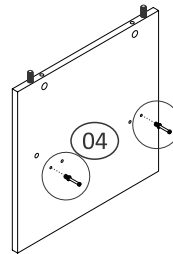
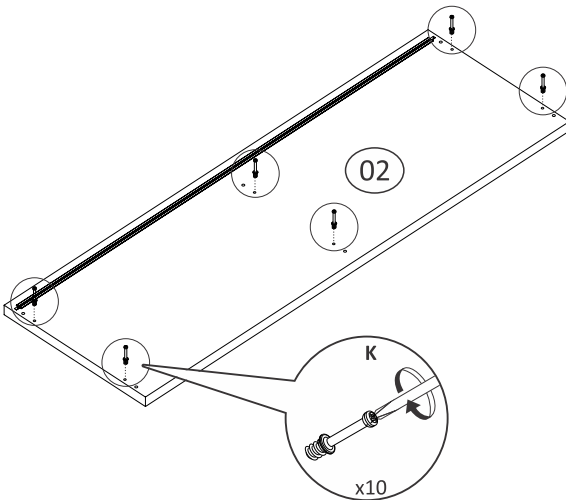


It's important to glue the wooden dowel.



Step 2

Insert screw (K) into part 02, 04 and 07. Tighten to the limit.



Assembly

Step 3

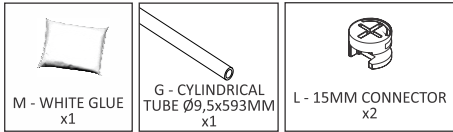
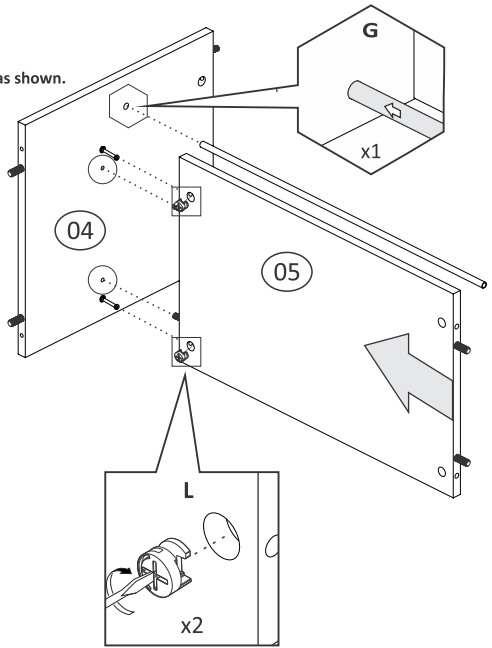
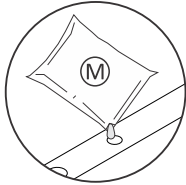
Put the glue (M) in hole of the wooden dowel (H), fitting the part 5 on the part 4.

Insert two minifix connectors (L) on the part 5 and rotate clockwise as shown.

Fit the tube (G) into the hole on the part 4.

As in the drawing below.

 **It's important to glue the wooden dowel.**



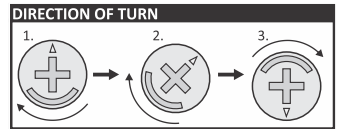
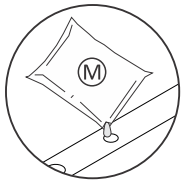
Step 4

Put the glue (M) in hole of the wooden dowel (H), fitting the part 7 on the part 5 and on thr tube (G).

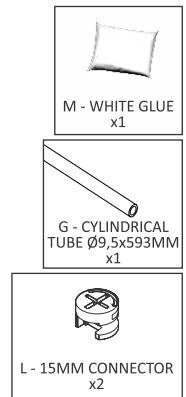
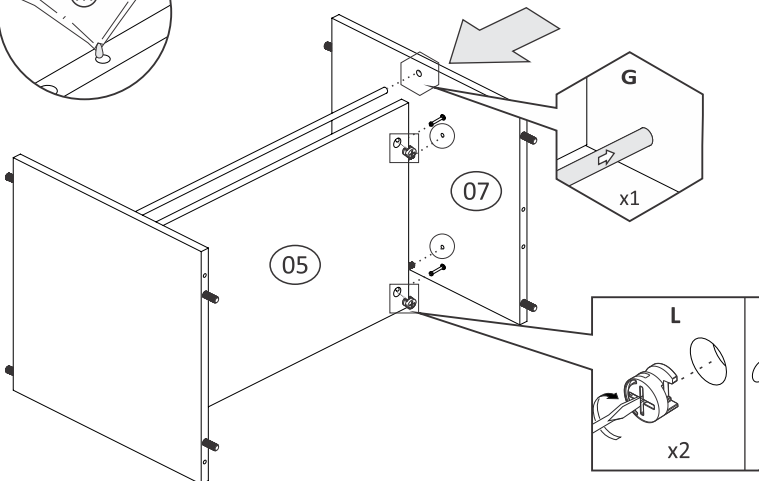
Insert two minifix connectors (L) on the part 5 and rotate clockwise as shown.

As in the drawing below.

 **It's important to glue the wooden dowel.**



Tighten the minifix up to the limit to assembly don't be slack.



Assembly

Step 5

For better assembly,

start with the front of the parts facing down!

Put the glue (M) in hole of the wooden dowel (H), fitting the part 4 and 7 on the part 2.

Then install the foot (E) on parts 2 and 4 with the screws (C).

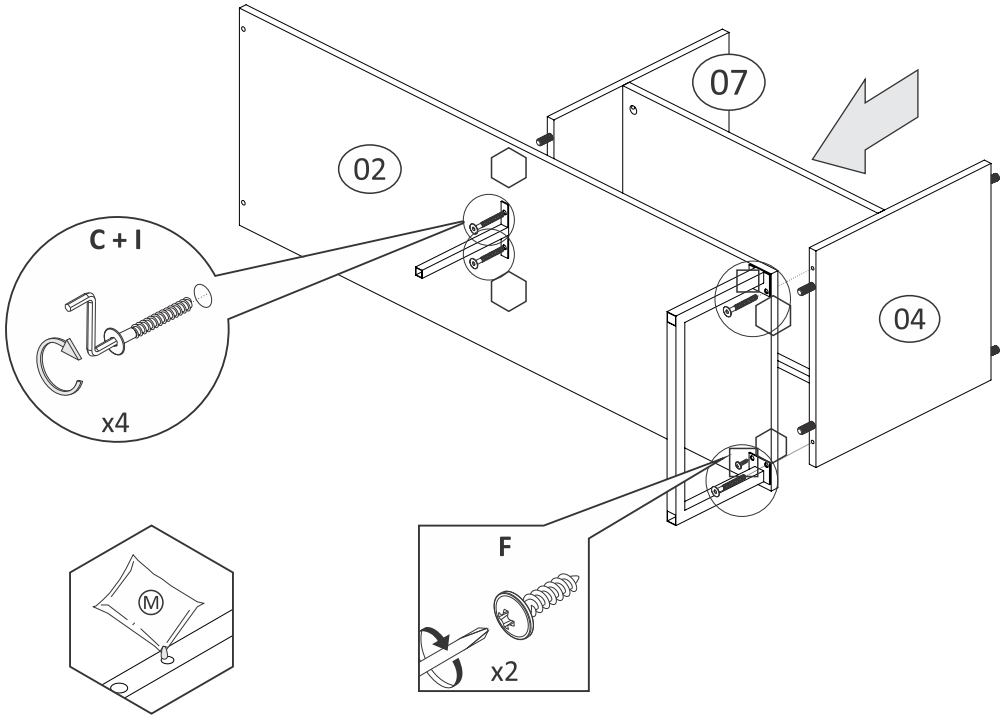
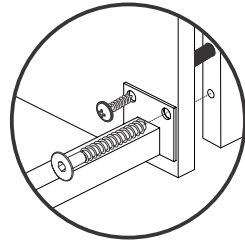
Use the screws (F) to fix the foot (E) on the part 2.

Tighten to the limit.

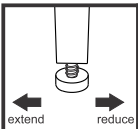
Install the center foot (J) on parts 2 and 7 with the screws (C).

Tighten to the limit.

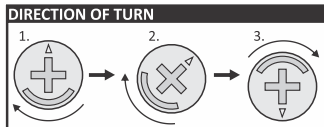
As in the drawing below.



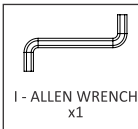
It's important to glue the wooden dowel.



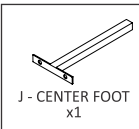
Adjust the center foot (J) bracket according to the floor level.



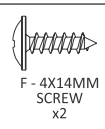
Tighten the minifix up to the limit to assembly don't be slack.



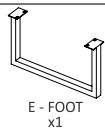
I - ALLEN WRENCH
x1



J - CENTER FOOT
x1



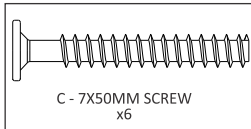
F - 4X14MM
SCREW
x2



E - FOOT
x1



M - WHITE GLUE
x1

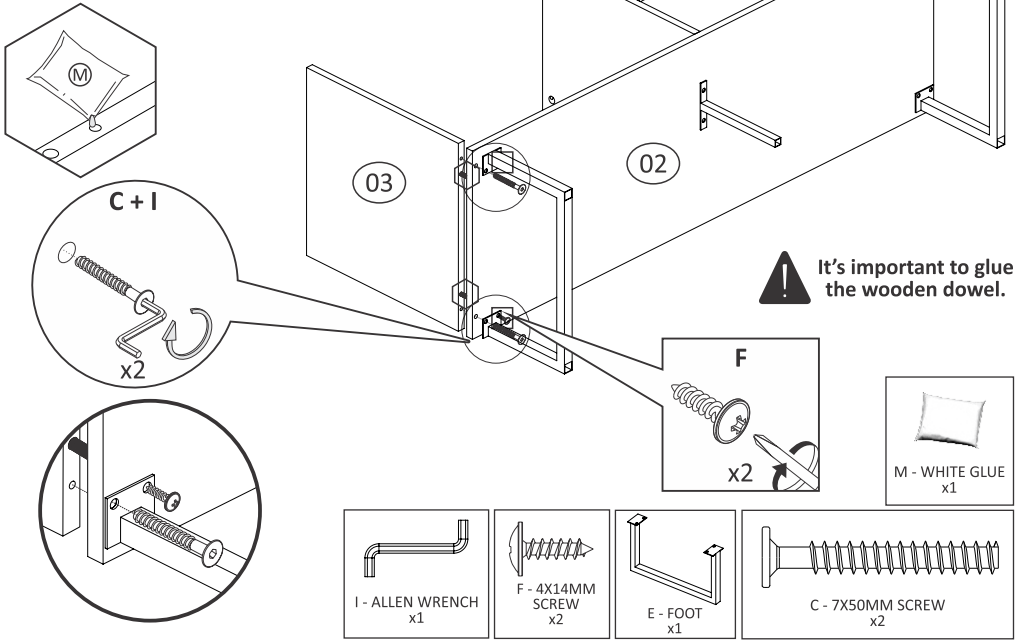


C - 7X50MM SCREW
x6

Assembly

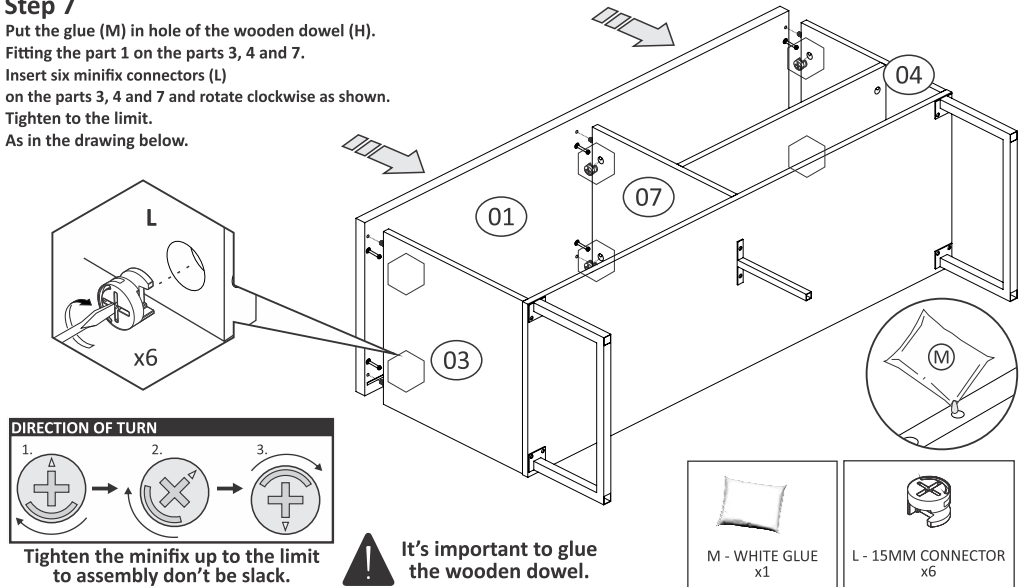
Step 6

Put the glue (M) in hole of the wooden dowel (H).
 Fitting the part 3 on the part 2.
 Then install the foot (E) on the parts 2 and 3 with the screws (C).
 Use the screws (F) to fix the foot (E) on the part 2.
 Tighten to the limit.
 As in the drawing below.



Step 7

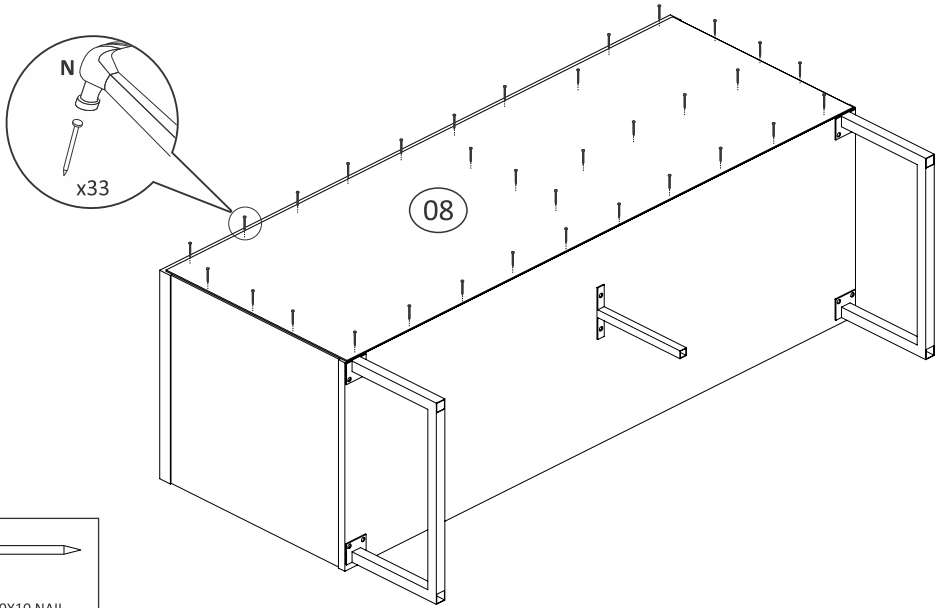
Put the glue (M) in hole of the wooden dowel (H).
 Fitting the part 1 on the parts 3, 4 and 7.
 Insert six minifix connectors (L)
 on the parts 3, 4 and 7 and rotate clockwise as shown.
 Tighten to the limit.
 As in the drawing below.



Assembly

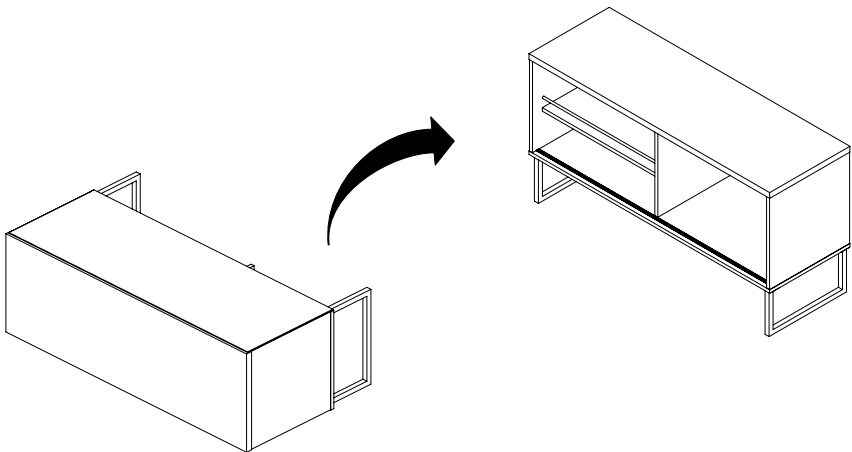
Step 8

Fix the parts 8 using the nails (N).
As in the drawing below.



Step 9

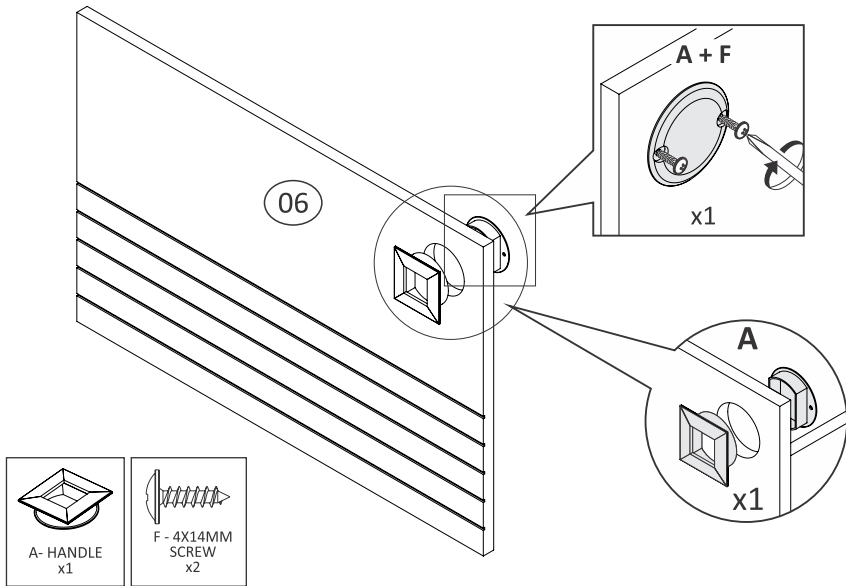
Very carefully and in two people, lift the product off the floor.
As the drawing below.



Assembly

Step 10

Install the hinges (A) on the part 6 using two screws (F), as in the drawing below.

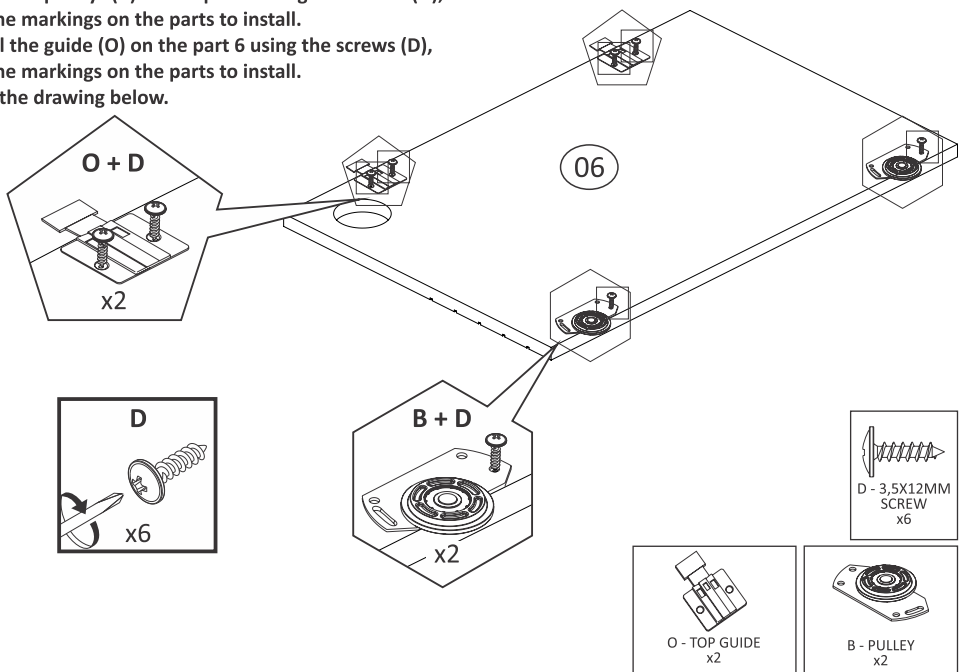


Step 11

Install the pulleys (B) on the part 6 using the screws (D), use the markings on the parts to install.

Install the guide (O) on the part 6 using the screws (D), use the markings on the parts to install.

As in the drawing below.



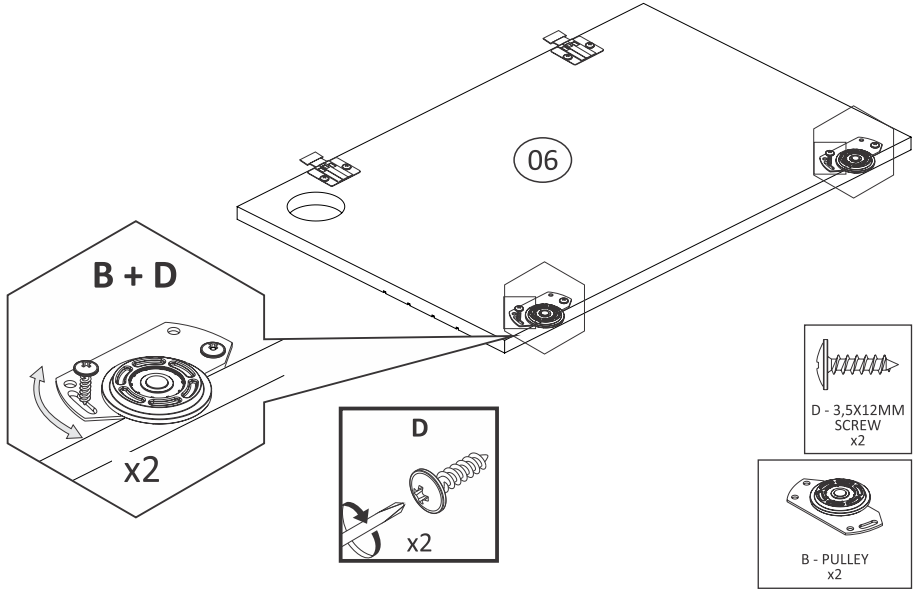
Assembly

Step 12

Install the pulleys (B) on the part 6 using the screws (D).

Align the pulley (B) as necessary.

As in the drawing below.

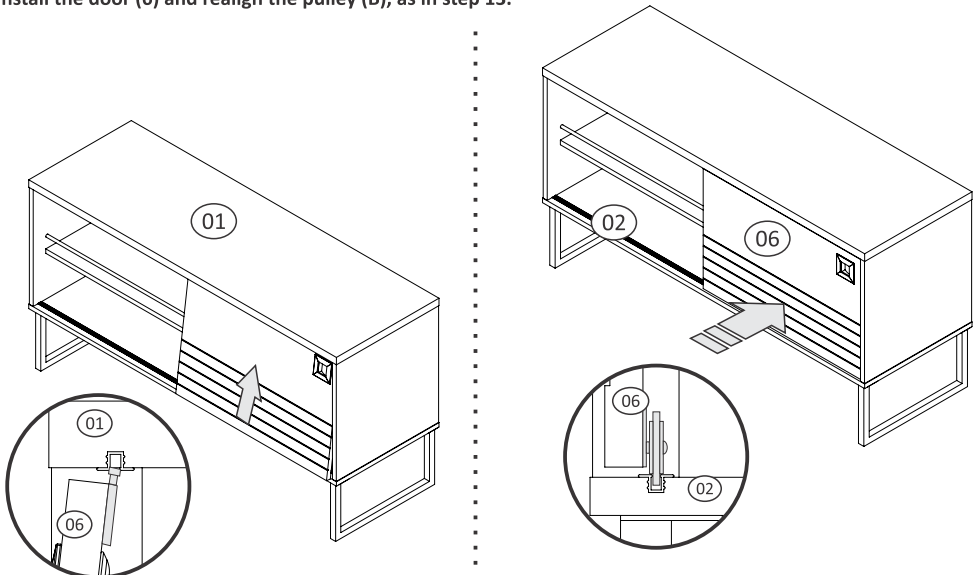


Step 13

Install the door (6), as in the drawing below.

Then check the alignment of door 6 relative to the parts 1 and 2.

If it is observed that the door 6 is not parallel to the parts 1 and 2, uninstall the door (6) and realign the pulley (B), as in step 12.



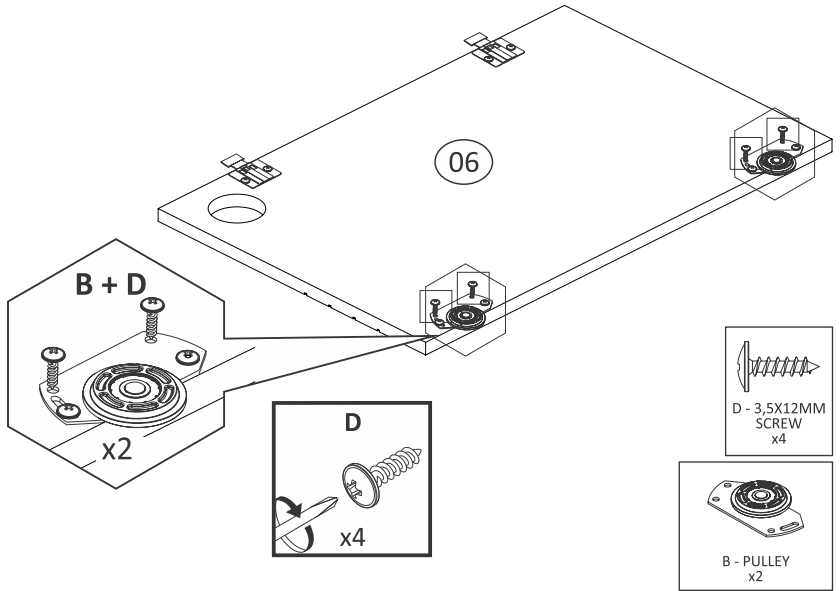
Assembly

Step 14

Install the pulleys (B) on the part 6 using the screws (D).

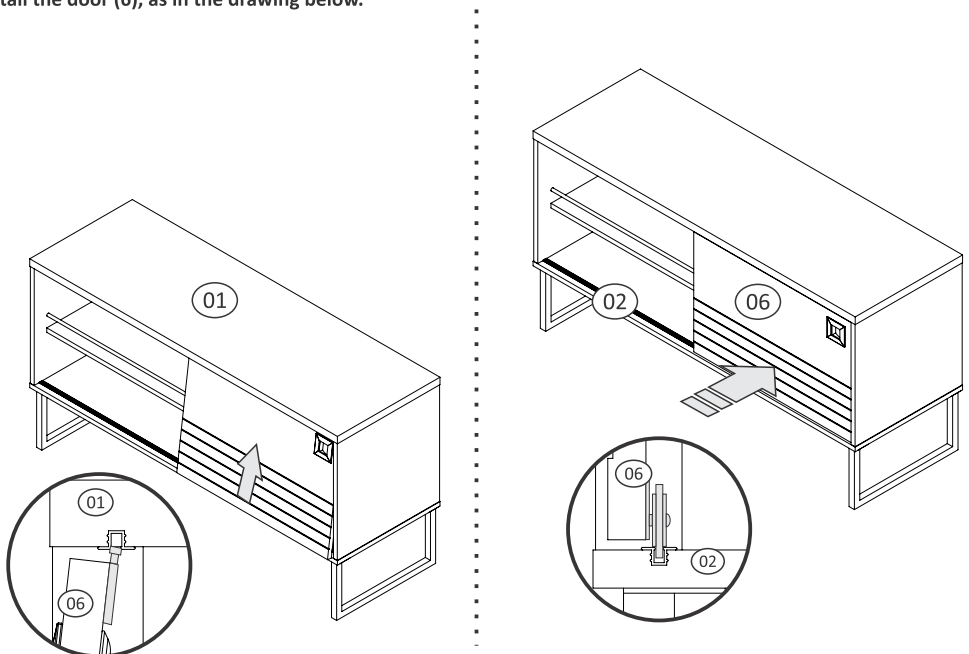
Align the pulley (B) as necessary.

As in the drawing below.



Step 15

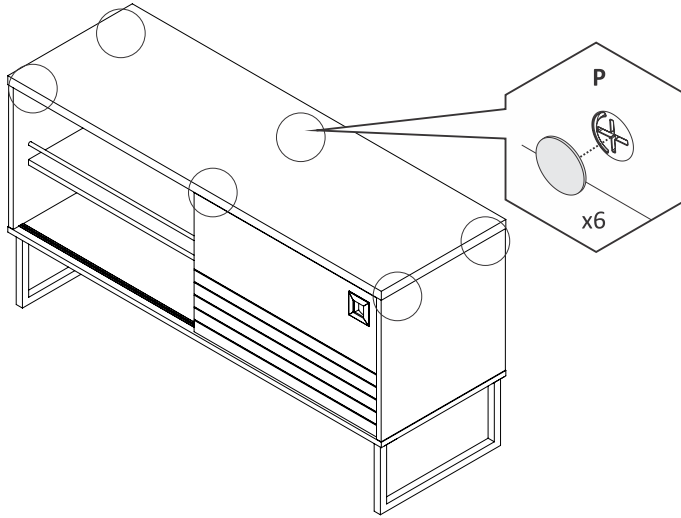
Install the door (6), as in the drawing below.



Assembly

Step 16

Use the screw cover (P) on the parts 3, 4 and 7 to cover the minifix (L).



P - 21MM SCREW
COVER
x6

TAKING GOOD CARE OF YOUR FURNITURE

Cleaning and caring instructions:

- Wipe the wood furniture down with a moist cloth to properly clean the furniture.
- Do not forget to dry your furniture out. Humidity can damage the finish or create mould.
- Chemical products are not recommended;
- Never clean the furniture with scouring powders, steel scrubber pads or any other product which can scratch its
- Furniture surfaces should not be covered with colored plastic or paper sheets.
- Avoid dragging objects on top of the furniture. They might scratch the finishing.
- Wood furniture are made of mould and termites resistant materials, however, it is recommended to use termiticides in infested places before installing the furniture.
- Avoid furniture exposure to direct Sun light. Drapers suggested.