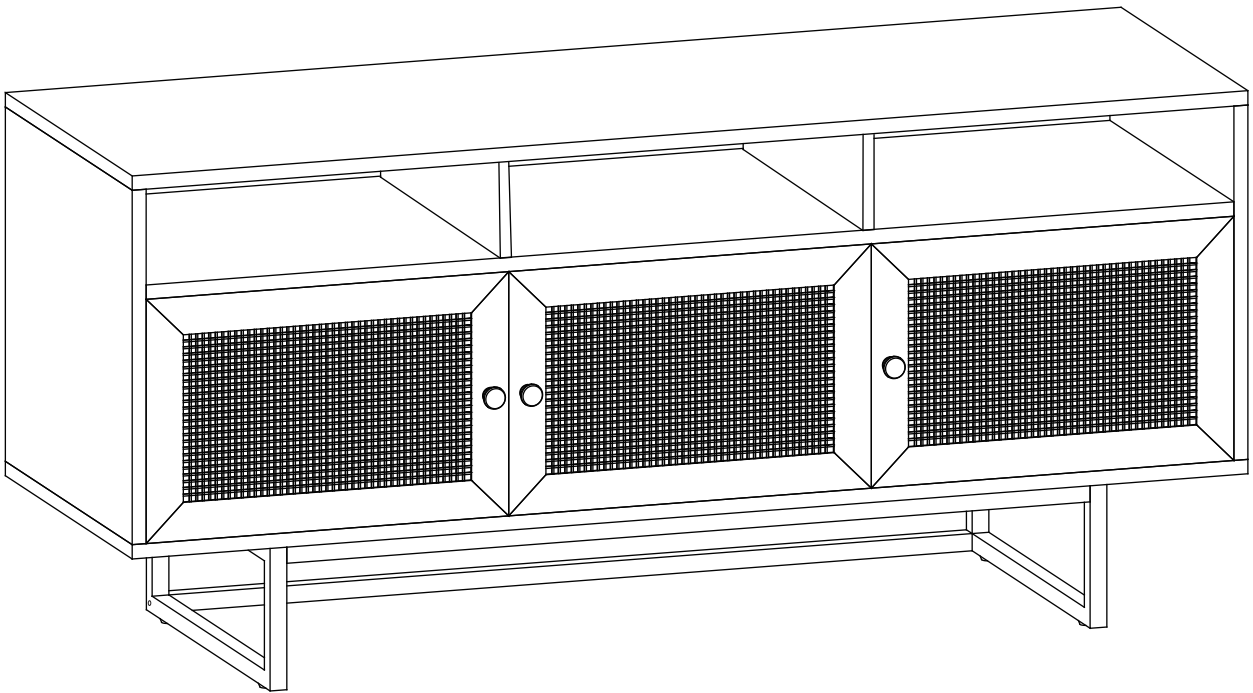
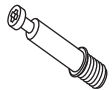


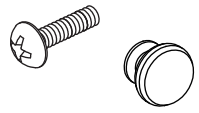



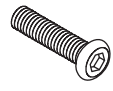
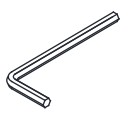
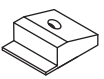

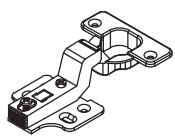
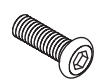



# TV Stand

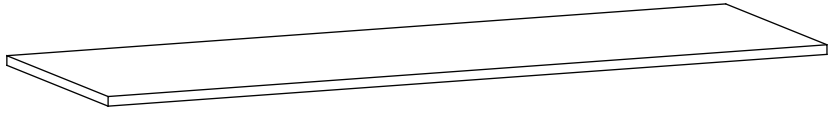


## ASSEMBLY INSTRUCTION

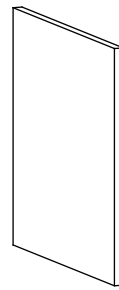
# HARDWARE LIST

<p>A</p> <p>14 PCS</p>	 <p>Ø6x35mm</p>	<p>B</p> <p>14 PCS</p>	 <p>Ø15x10mm</p>	<p>C</p> <p>24 PCS</p>	 <p>Ø6x30mm</p>	<p>D</p> <p>3 PCS</p>	
<p>E</p> <p>10 PCS</p>	 <p>Ø4x35mm</p>	<p>F</p> <p>36 PCS</p>	 <p>Ø3.5x14mm</p>	<p>G</p> <p>4 PCS</p>		<p>H</p> <p>6 PCS</p>	 <p>Ø6x30mm</p>
<p>I</p> <p>1 PC</p>	 <p>M4mm</p>	<p>J</p> <p>8 PCS</p>		<p>K</p> <p>8 PCS</p>	 <p>Ø3x16mm</p>	<p>L</p> <p>6 PCS</p>	
<p>M</p> <p>8 PCS</p>	 <p>Ø6x25mm</p>	<p>N</p> <p>1 PC</p>					

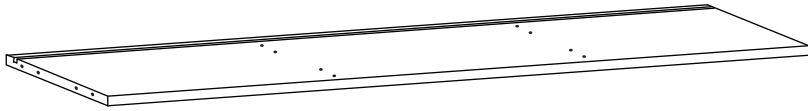
**PARTS LIST**



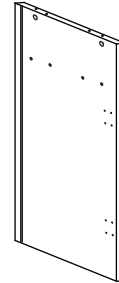
1 - 1 PC



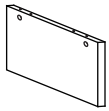
2 - 1 PC



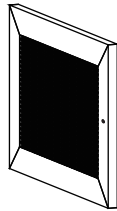
3 - 1 PC



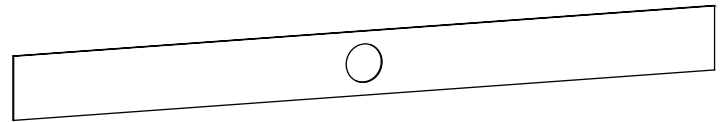
4 - 1 PC



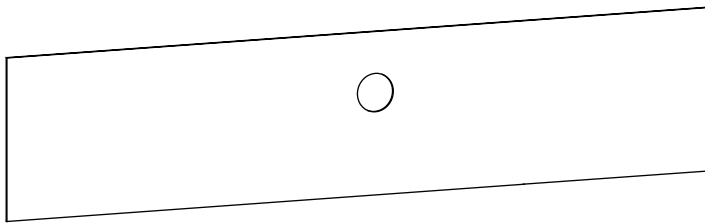
5 - 2 PC



6 - 3 PCS



7 - 1 PC



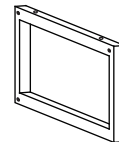
8 - 1 PC



9 - 1 PC



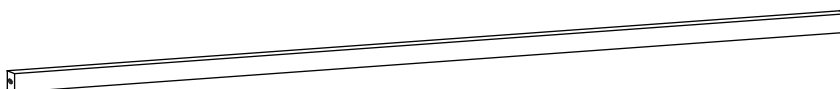
10 - 1 PC



11 - 2 PCS



12 - 2 PCS



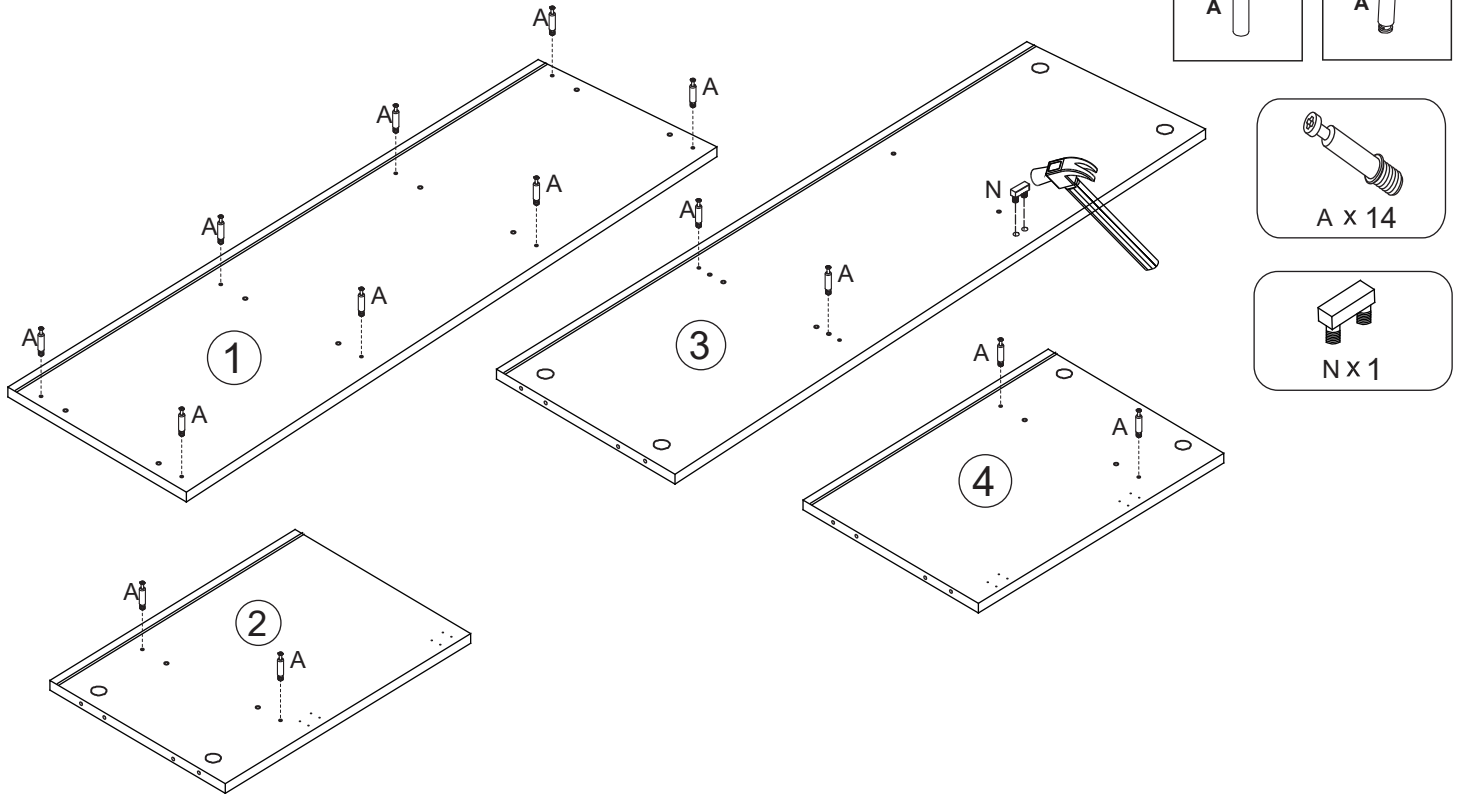
13 - 1 PC

# ASSEMBLY STEPS

## STEP 1.

Insert quickfit screws (A) into parts 1, 2, 3 and 4, as shown.

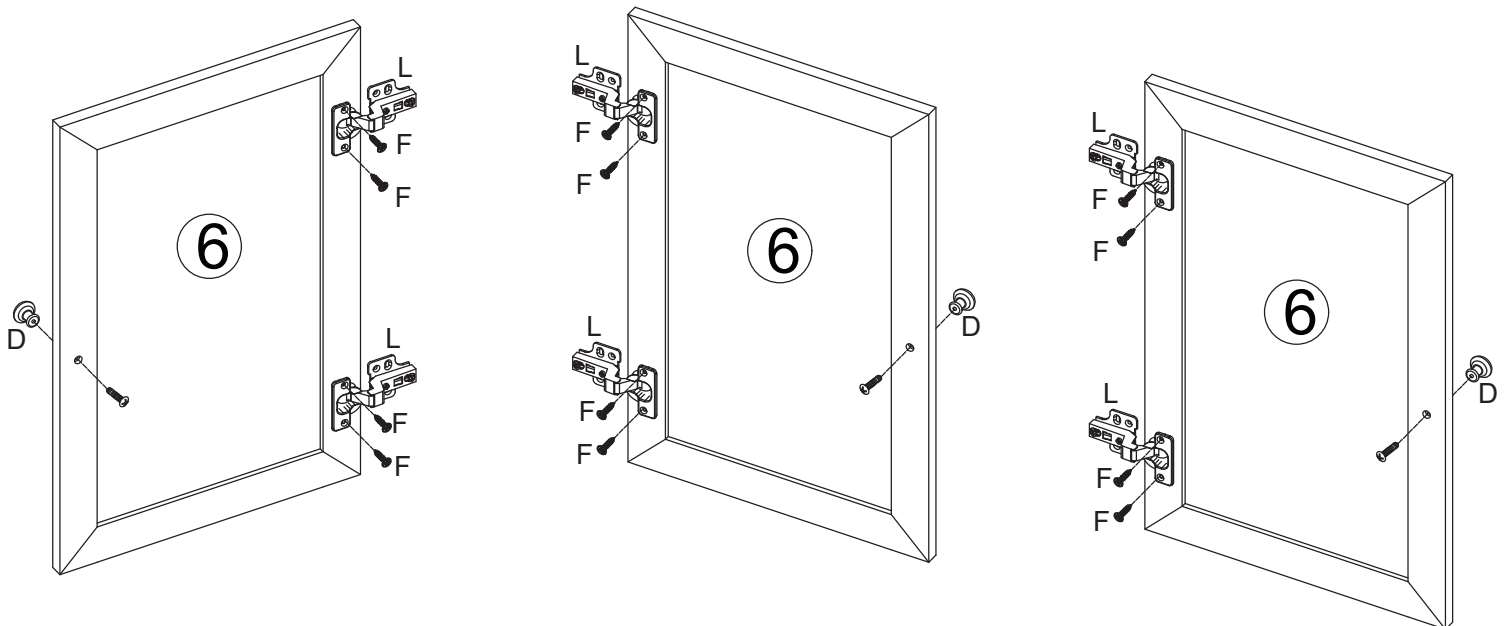
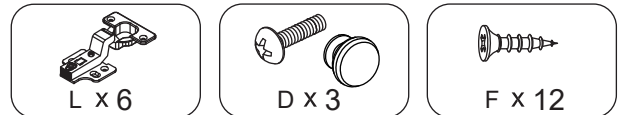
Hammer hardware (N) to part 3, as shown.



## STEP 2.

Fix handles (D) to doors 6 using screws (D), as shown.

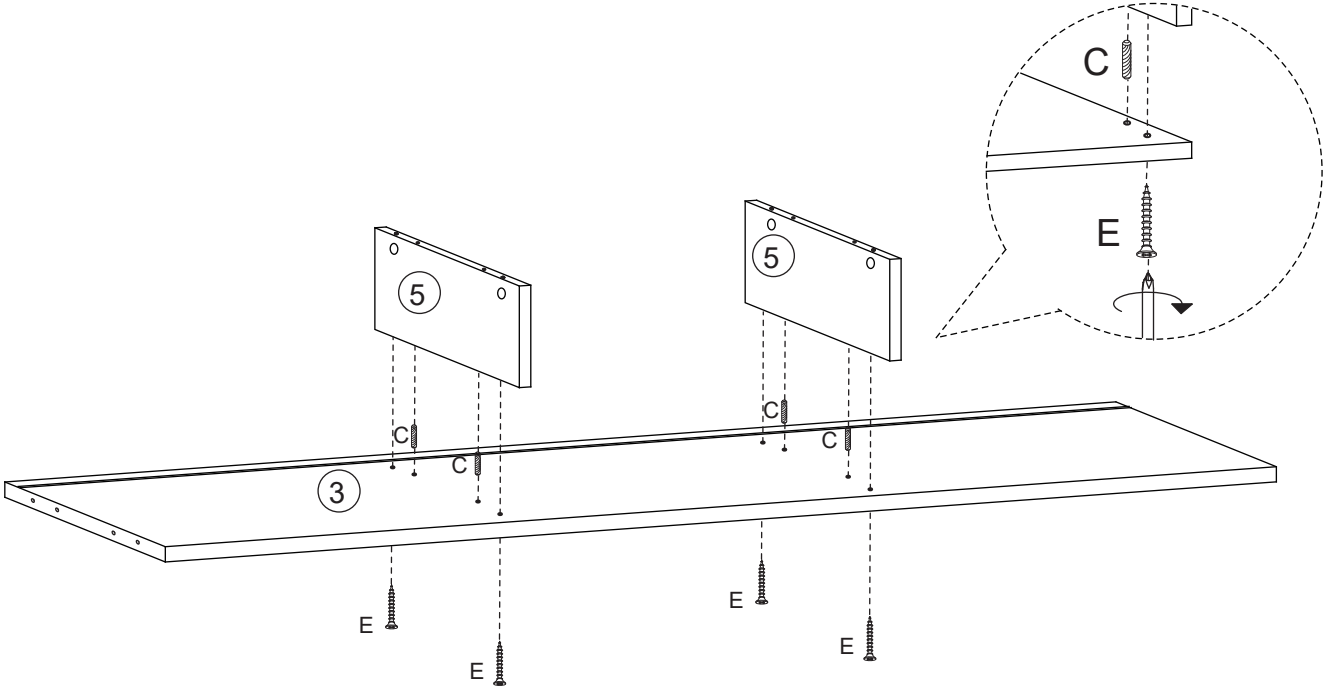
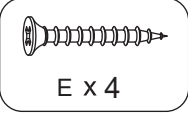
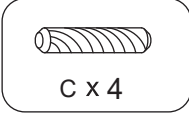
Fix Hinges (L) to doors 6 using screws (F), as shown.



# ASSEMBLY STEPS

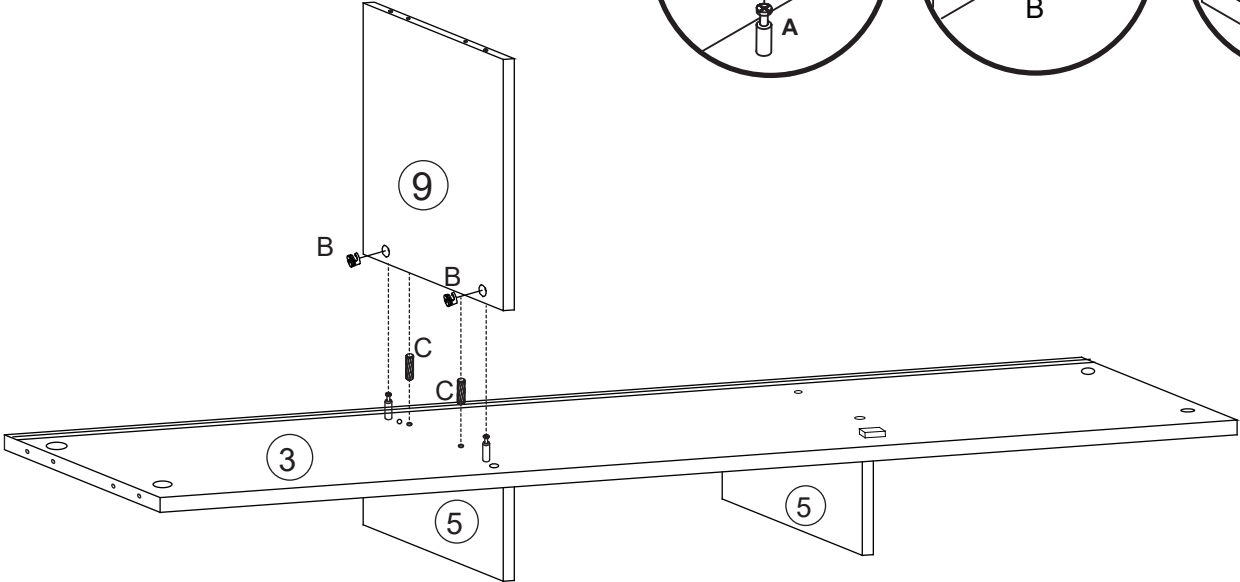
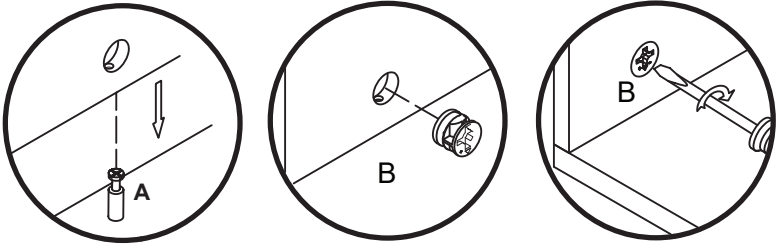
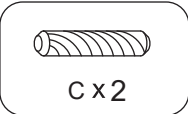
## STEP 3.

Insert wooden dowels (C) to parts 5.  
Fix part 3 to parts 5 using screws (E), as shown.



## STEP 4.

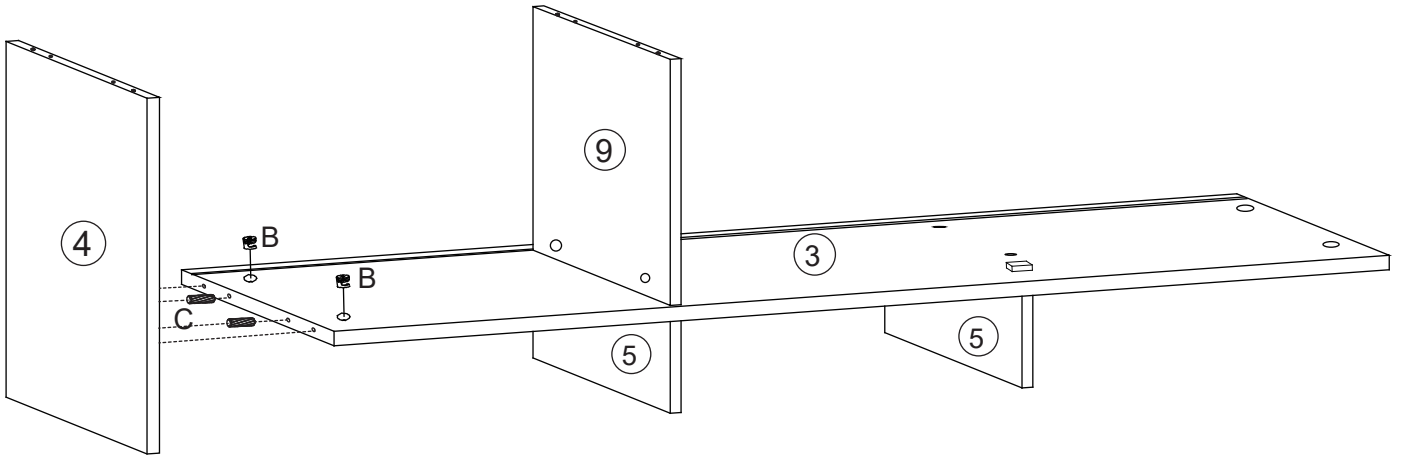
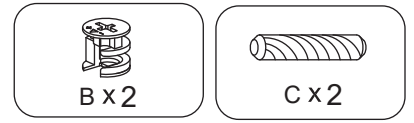
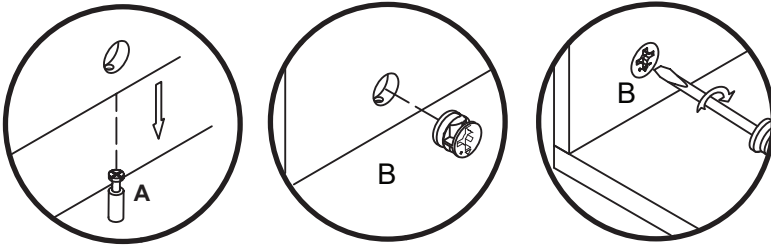
Insert wooden dowels (C) to part 3.  
Insert cam locks (B) into part 9.  
Fit part 9 to part 3, as shown.  
Turn cam locks clockwise to tighten.



# ASSEMBLY STEPS

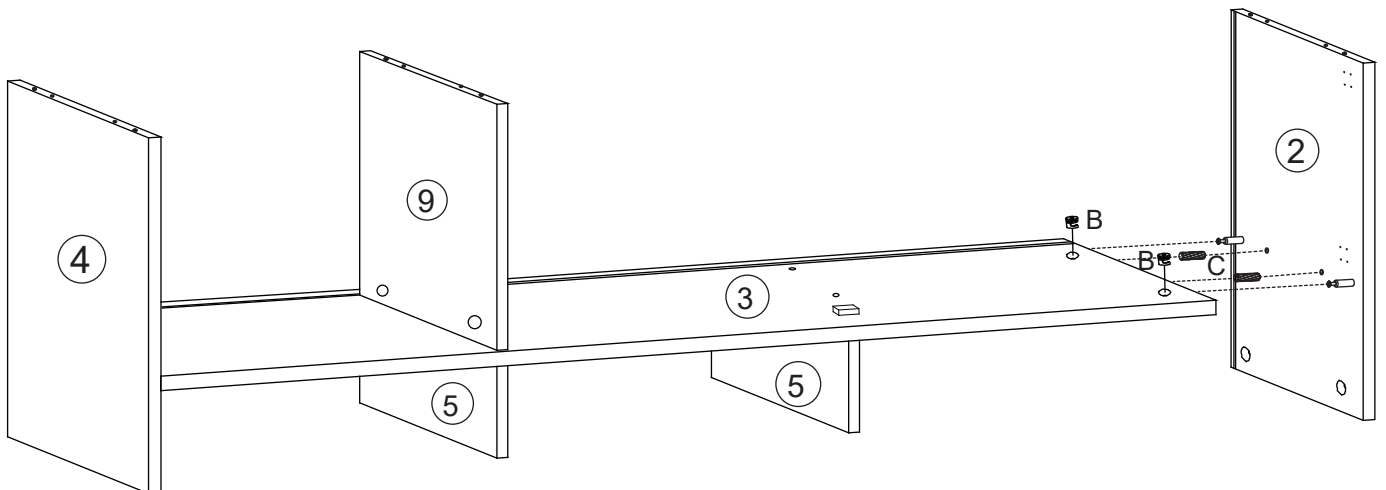
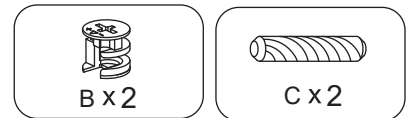
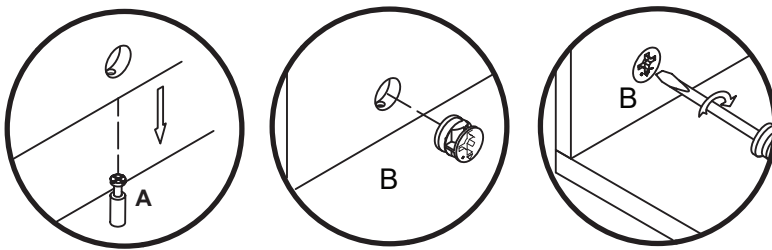
## STEP 5.

Insert cam locks (B) and wooden dowels (C) into part 3, as shown.  
Fit part 4 to part 3. Turn cam locks clockwise to tighten.



## STEP 6.

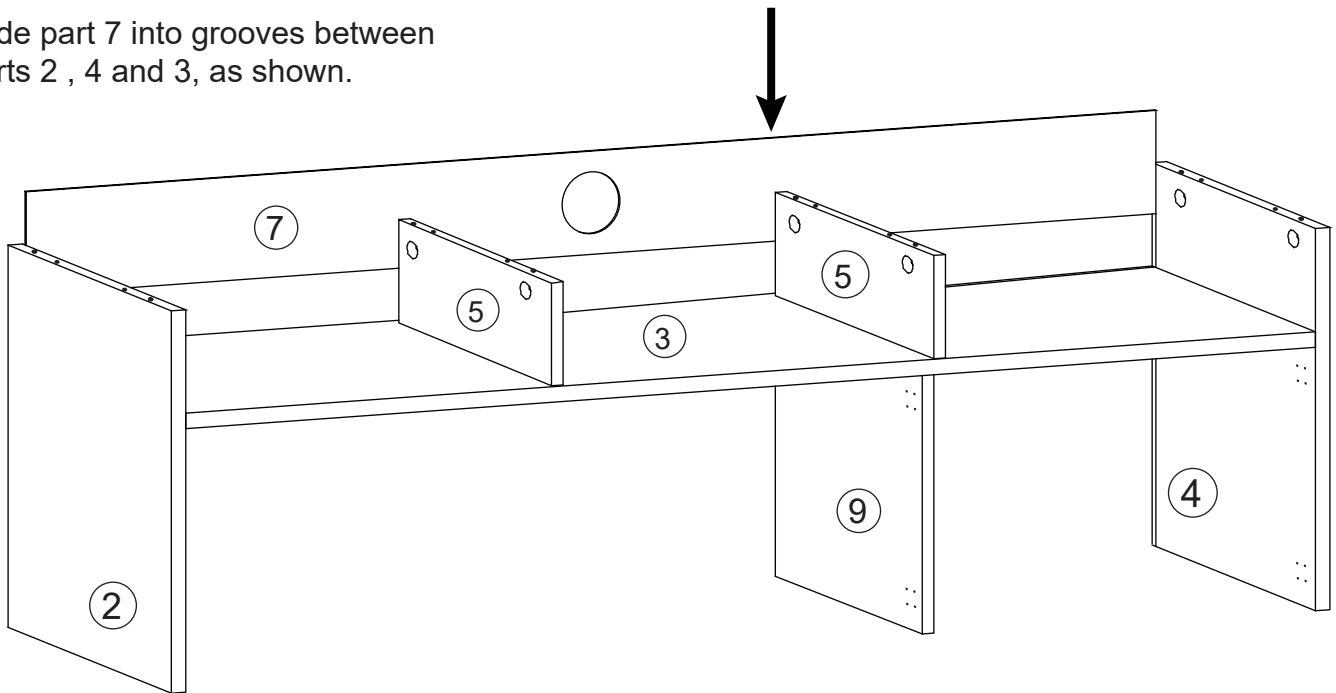
Insert cam locks (B) and wooden dowels (C) into part 3, as shown.  
Fit part 2 to part 3. Turn cam locks clockwise to tighten.



## ASSEMBLY STEPS

### STEP 7.

Slide part 7 into grooves between parts 2, 4 and 3, as shown.

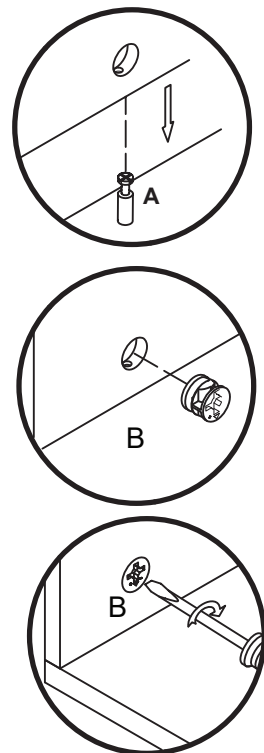
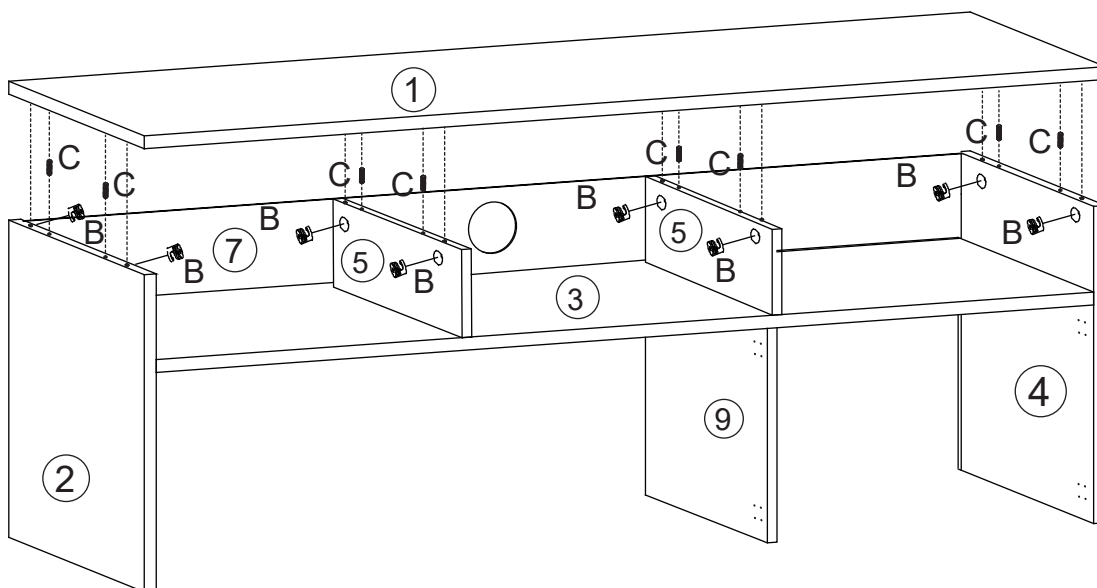
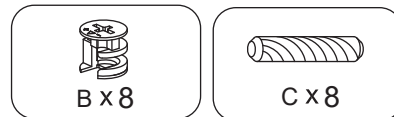


### STEP 8.

Insert cam locks (B) and wooden dowels (C) to parts 2, 4 and 5, as shown.

Fit part 1 to parts 2, 4 and 5, as shown.

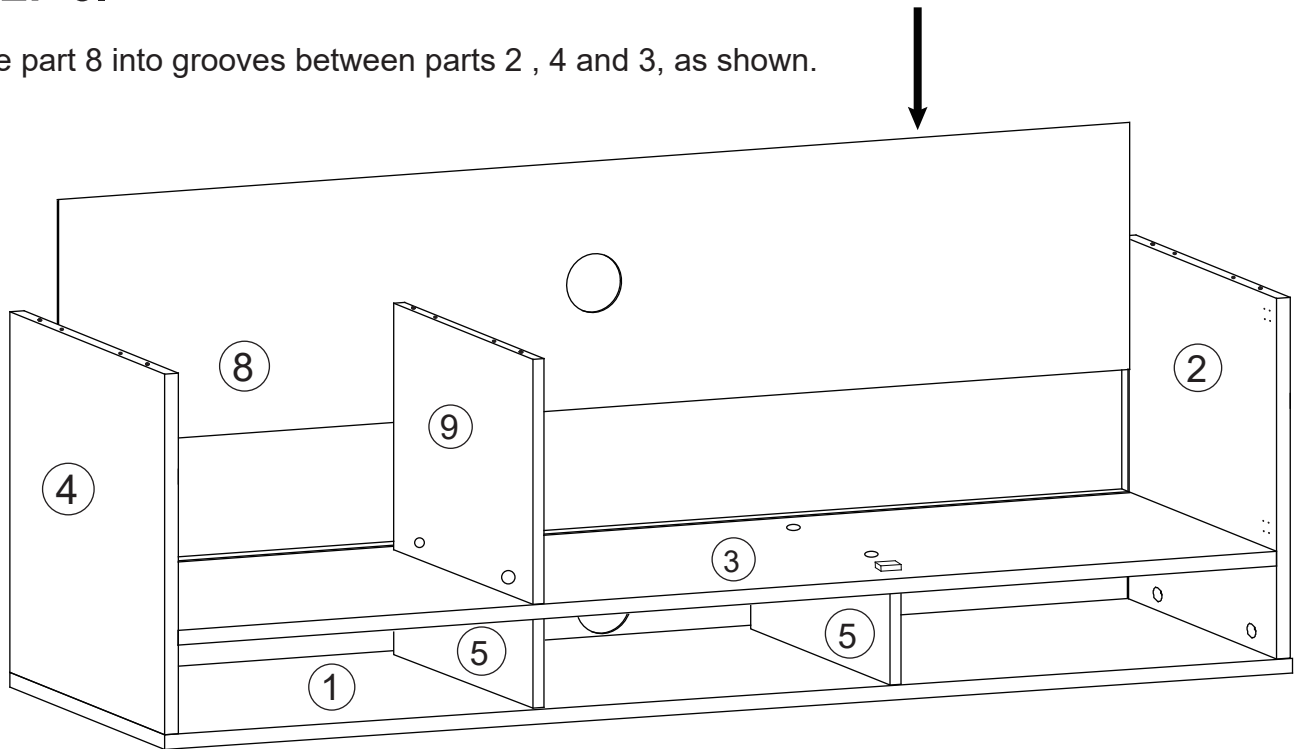
Turn cam locks clockwise to tighten.



## ASSEMBLY STEPS

### STEP 9.

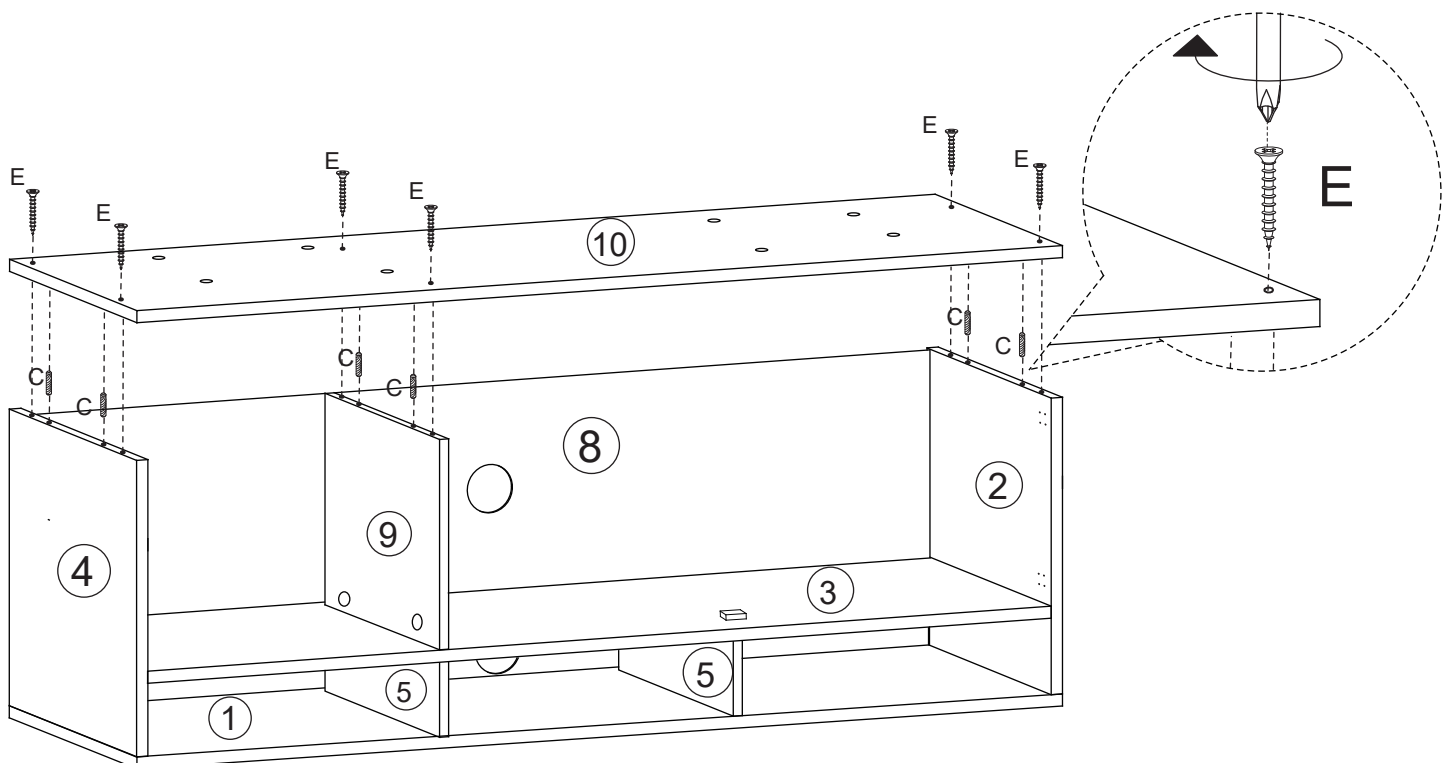
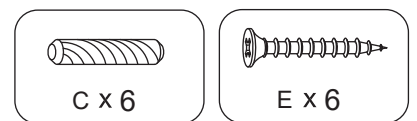
Slide part 8 into grooves between parts 2 , 4 and 3, as shown.



### STEP 10.

Insert wooden dowels (C) to parts 4,9 and 2, as shown.

Fix part 10 to parts 4 ,9 and 2 using screws (E), as shown



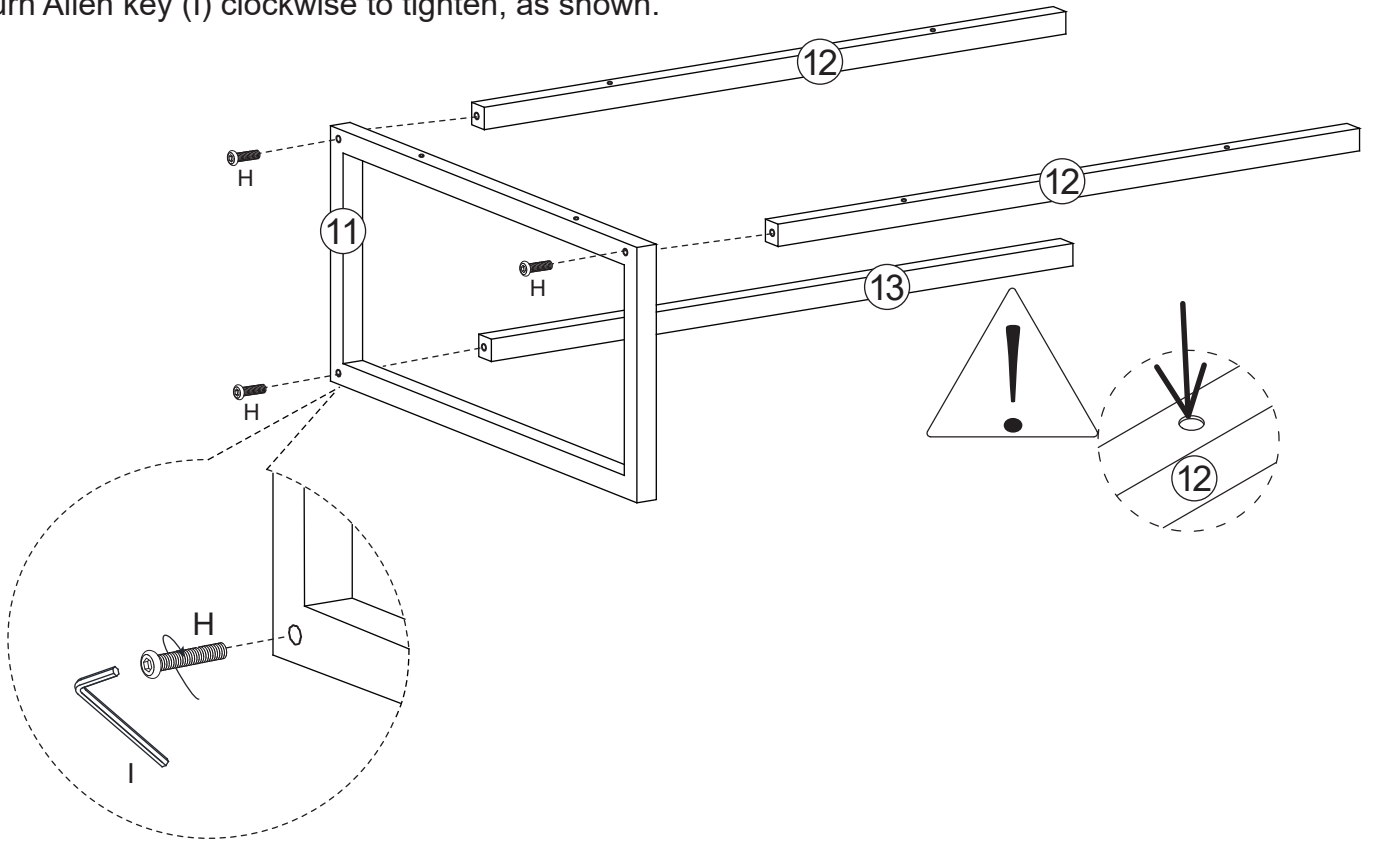
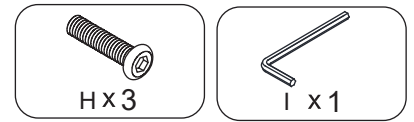


# ASSEMBLY STEPS

## STEP 11.

Fix part 12 and part 13 to part 11 using screws (H).

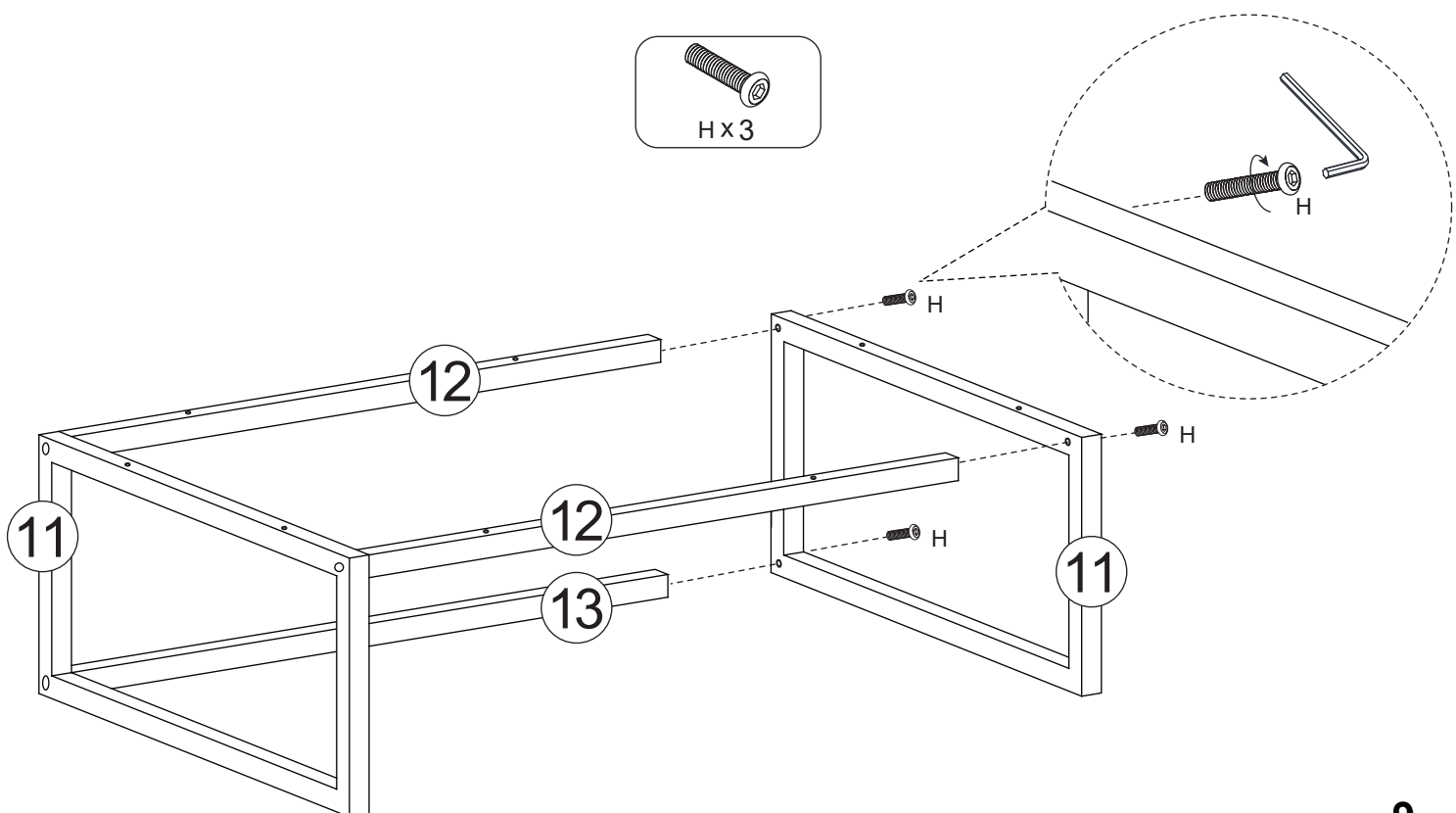
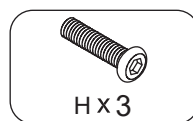
Turn Allen key (I) clockwise to tighten, as shown.



## STEP 12.

Fix part 12 and part 13 to part 11 using screws (H).

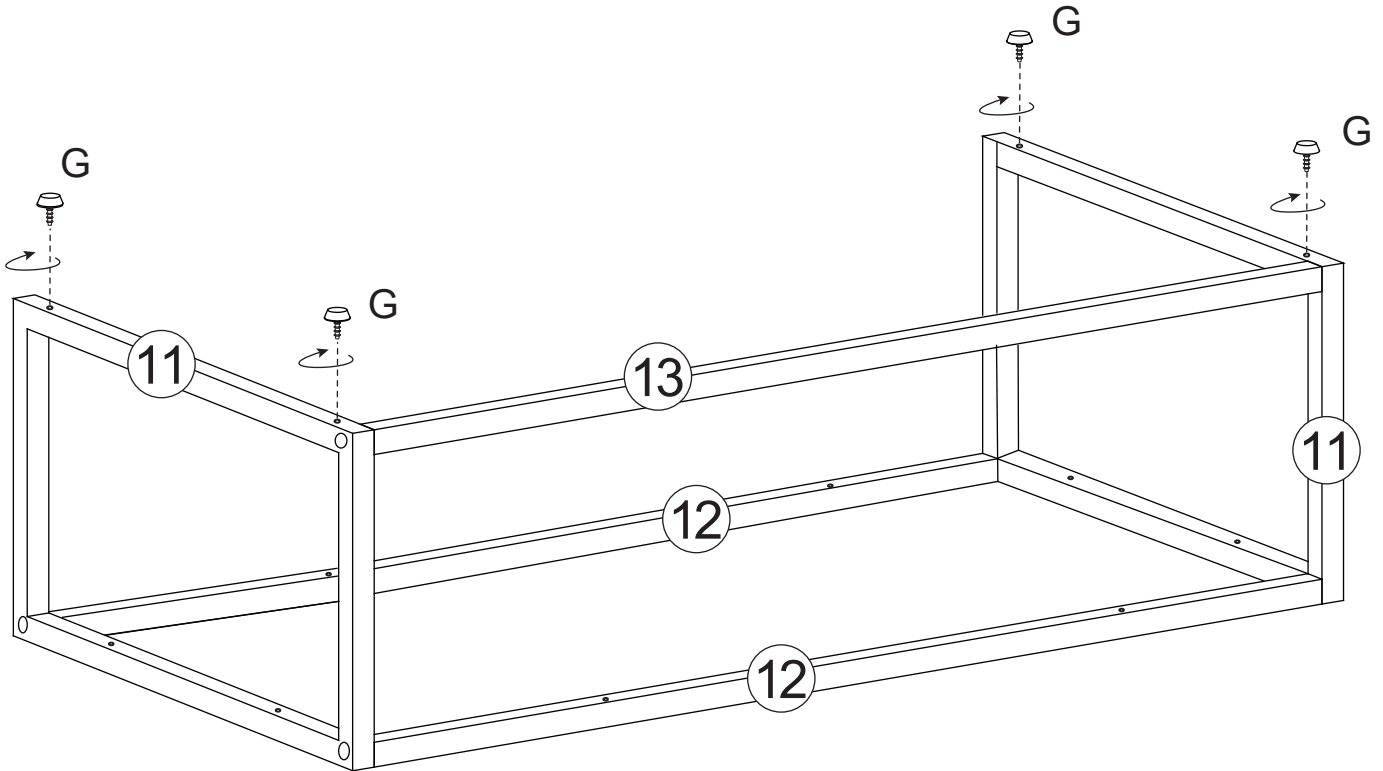
Turn Allen key (I) clockwise to tighten, as shown.



## ASSEMBLY STEPS

### STEP 13.

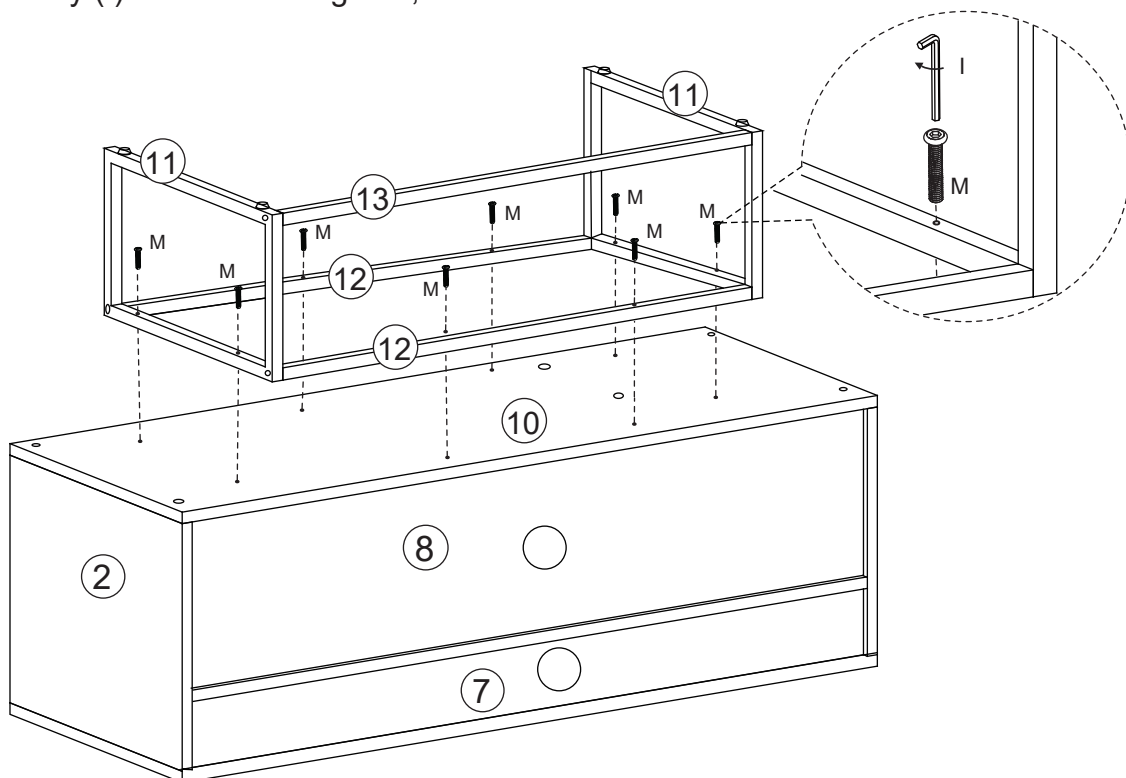
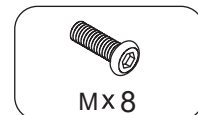
Insert Foot nails (G) to parts 11, as shown .



### STEP 14.

Fix Iron frame to part 10 using screws (M).

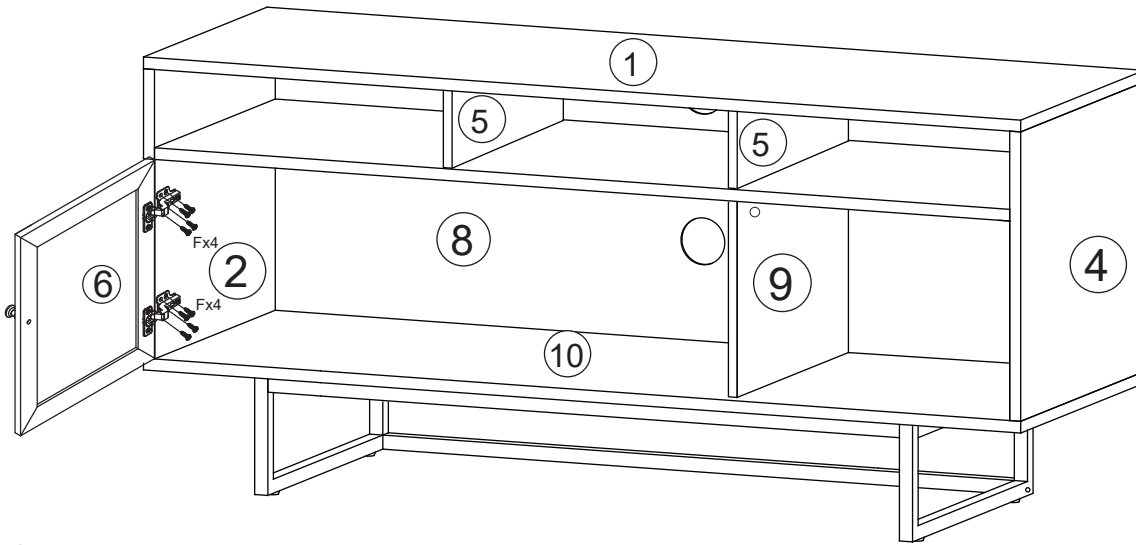
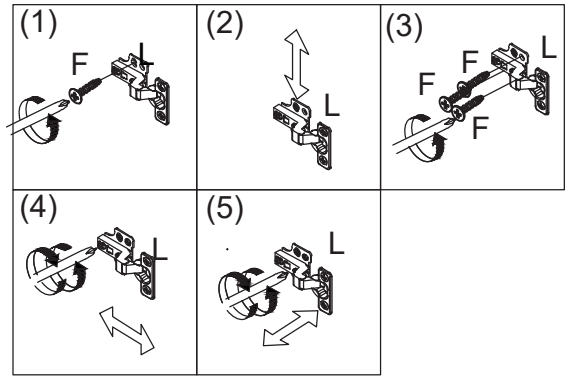
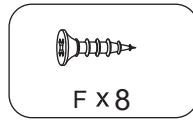
Turn Allen key (I) clockwise to tighten, as shown.



# ASSEMBLY STEPS

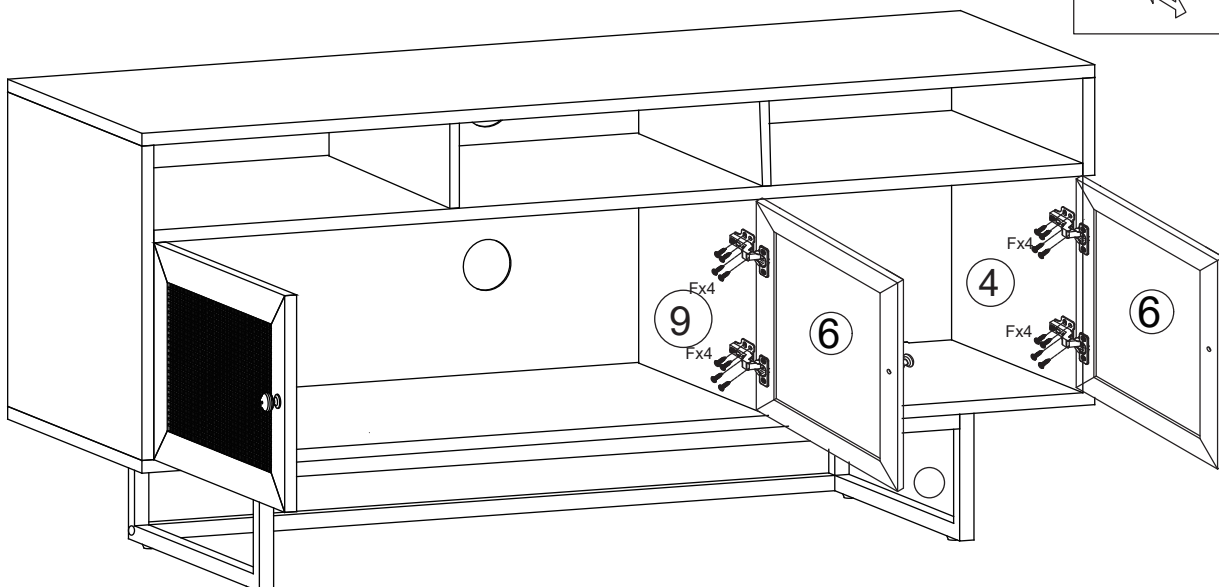
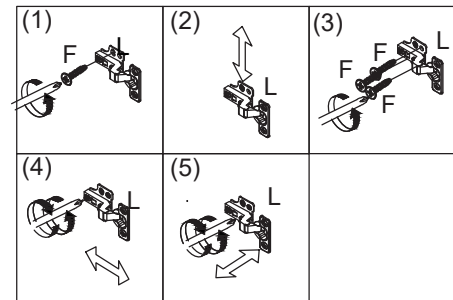
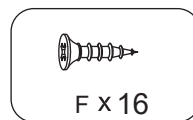
## STEP 15.

Fix door 6 to assembled unit using hinges and screws (F), as shown.



## STEP 16.

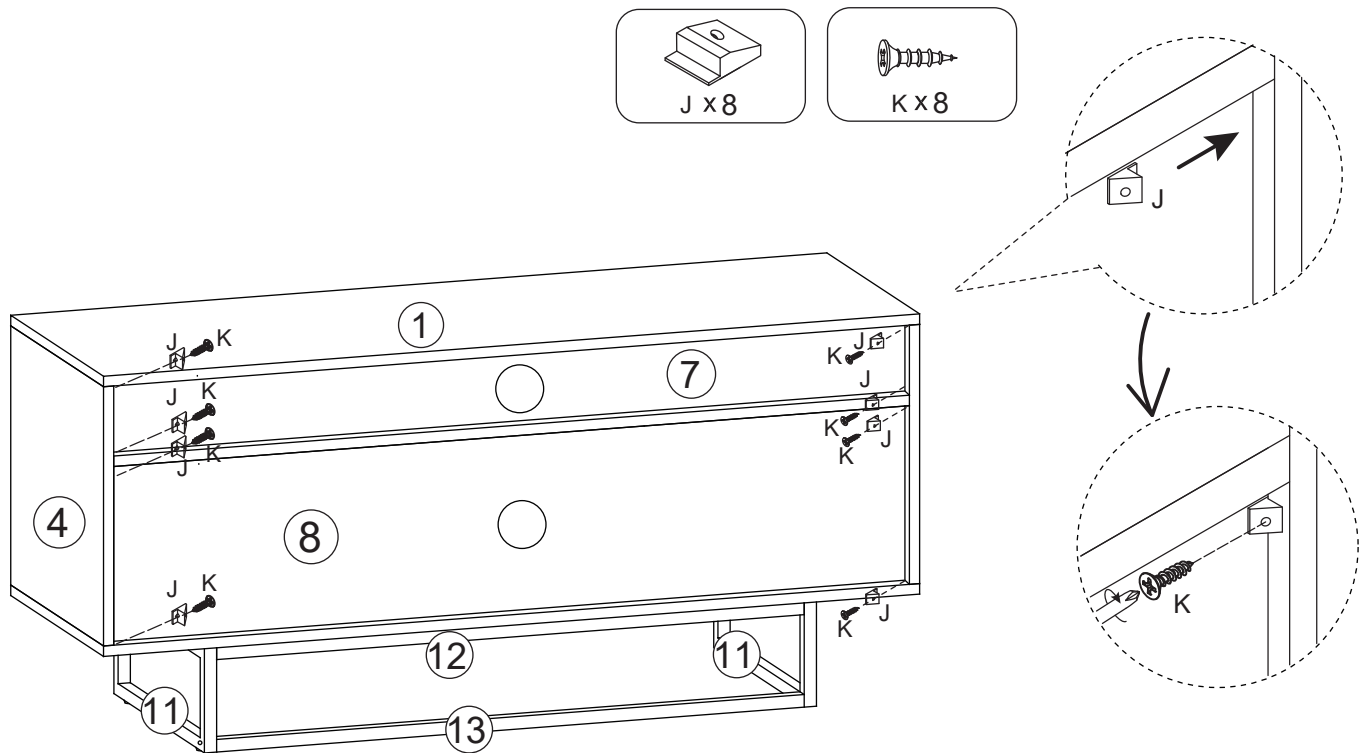
Fix doors 6 to the assembled unit using hinges and screws (F), as shown.



## ASSEMBLY STEPS

### STEP 17.

Fix corner brackets (J) to part 7 and 8 using screws (K), as shown.



### STEP 18.

Now the TV Stand is ready for use.

