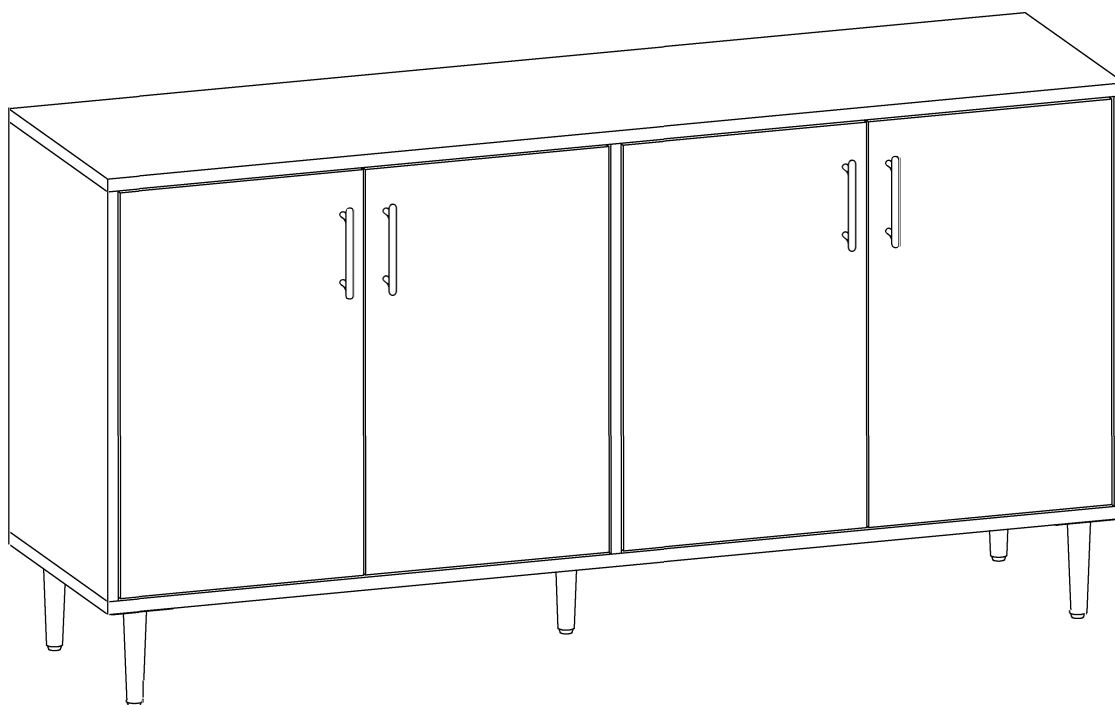


Item#: BU58HPBM
Assembly Instructions

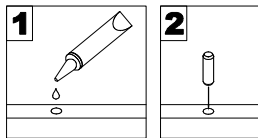


Please visit our website for the most current instructions, assembly tips, report damage, or request parts. www.walkeredison.com

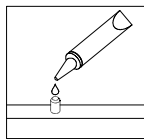
Revised 01/2018

General Assembly Guidelines

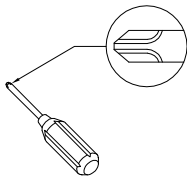
- I. Ensure that all parts and hardware are available before beginning assembly.
- II. Follow each step carefully to ensure the proper assembly of this product.
- III. Two people are recommended for ease in the assembly of this product.
- IV. The three main types of hardware used to assemble this product are : wood dowels , screws and bolts.
- V. The provided glue is to secure wood dowels in place . When first inserting dowels , locate the appropriate hole for the dowel , place a small amount of glue in the hole and insert the dowel . Wipe away excess glue immediately.



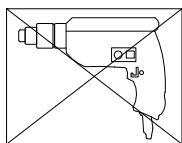
In future assembly steps when dowels are necessary to attach assembly parts together , place a small amount of glue on the end of the dowel before attaching parts together . Wipe away excess glue immediately.



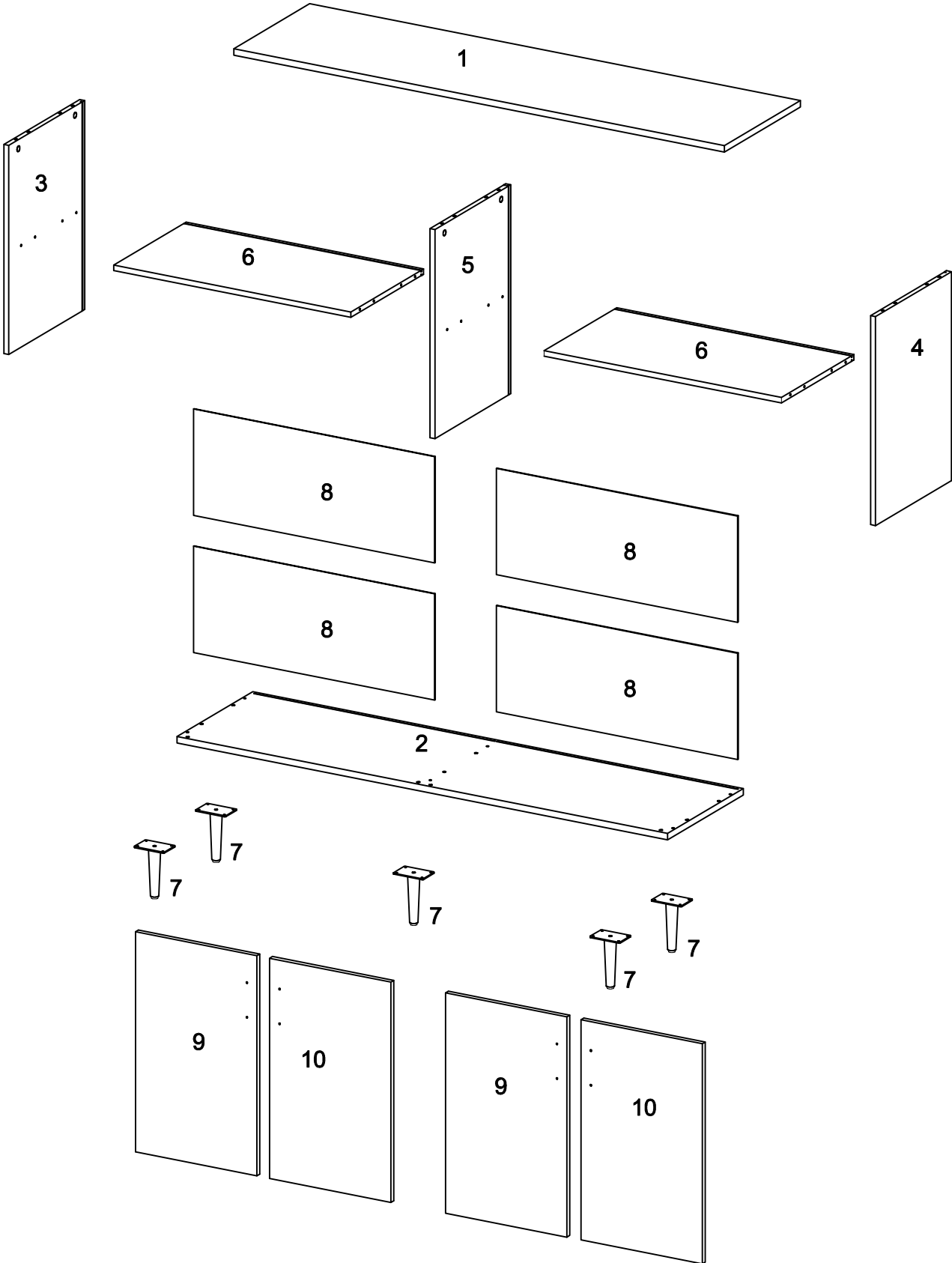
- VI. A Phillips head screwdriver is required for the assembly of this product .





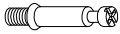
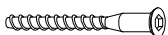
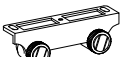

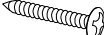





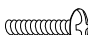

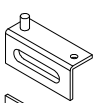
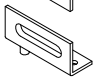



- VI. Power tools should not be used to assemble this product .

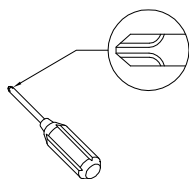


Parts List



Hardware List

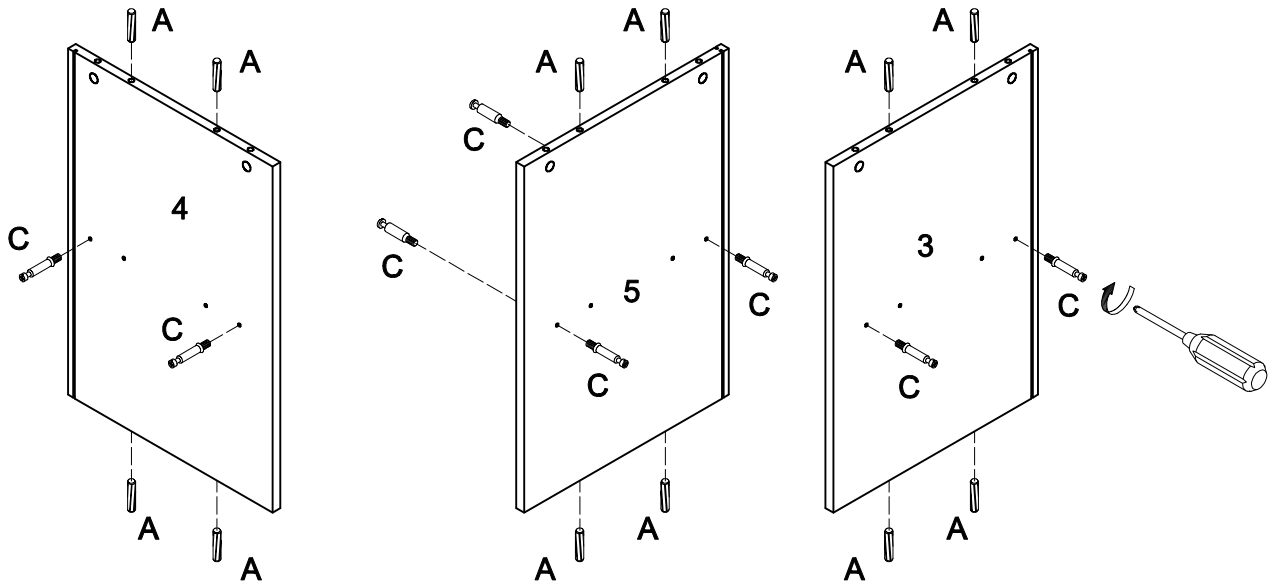
A		Ø8x30mm	Wooden dowel	20 pcs
B		Ø15x11mm	Cam lock	14 pcs
C		Ø6x35mm	Cam bolt	14 pcs
D		Ø6x50mm	Bolt	6 pcs
E			Door stopper	2 pcs
F		Ø30mm	Sticker	14 pcs
G		Ø3x17mm	Screw	4 pcs
H		M4	Wrench	1 pc
I			Glue tube	1 pc
J			Plastic wedge	16 pcs
K		Ø3x17mm	Screw	16 pcs
L			Handle	4 pcs
M		Ø4x22mm	Handle Bolt	8 pcs
N			Bolt	4 pcs
P			Door Hinge	4 pcs
Q			Door Hinge	4 pcs
R			Plastic pivot	8 pcs
S		Ø6x12mm	Bolt	20 pcs
T		Ø3x12mm	Screw	16 pcs



**Philips head screwdriver required for assembly
(not included)**

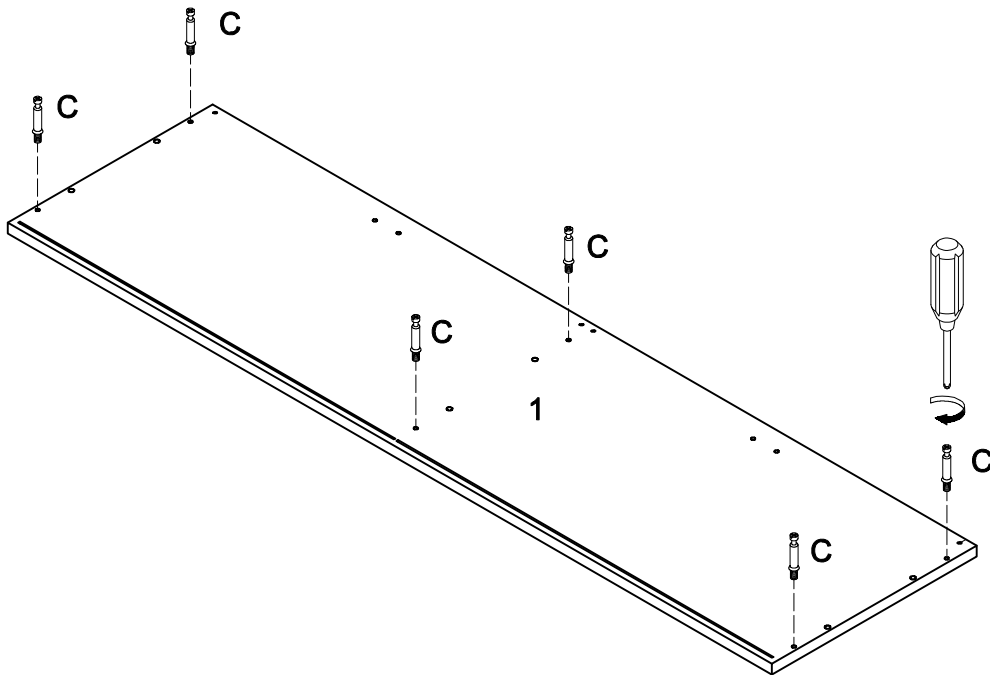
*The hardware quantities listed above are required for proper assembly.
Some extra hardware may also have been included.*

Step 1



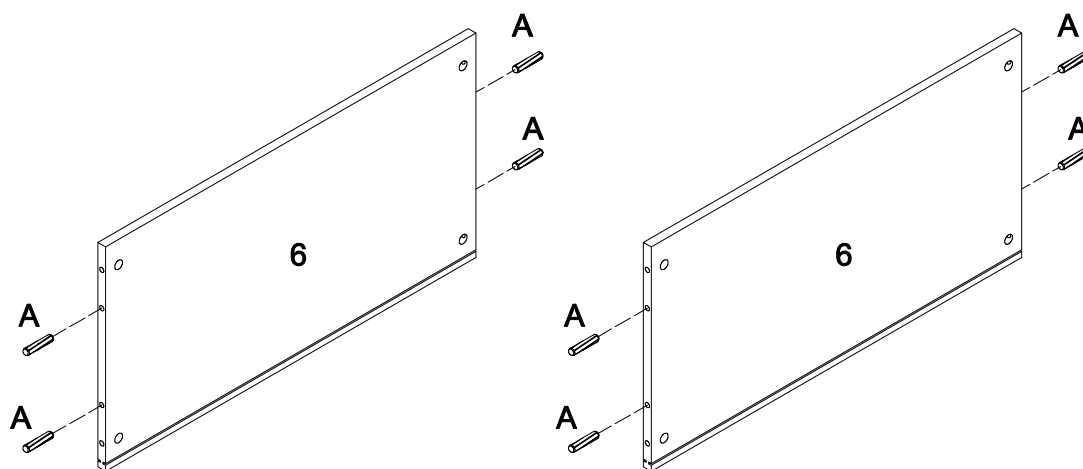
Insert wooden dowel (A) and secure cam bolt (C) to side panel (3,4,5).

Step 2



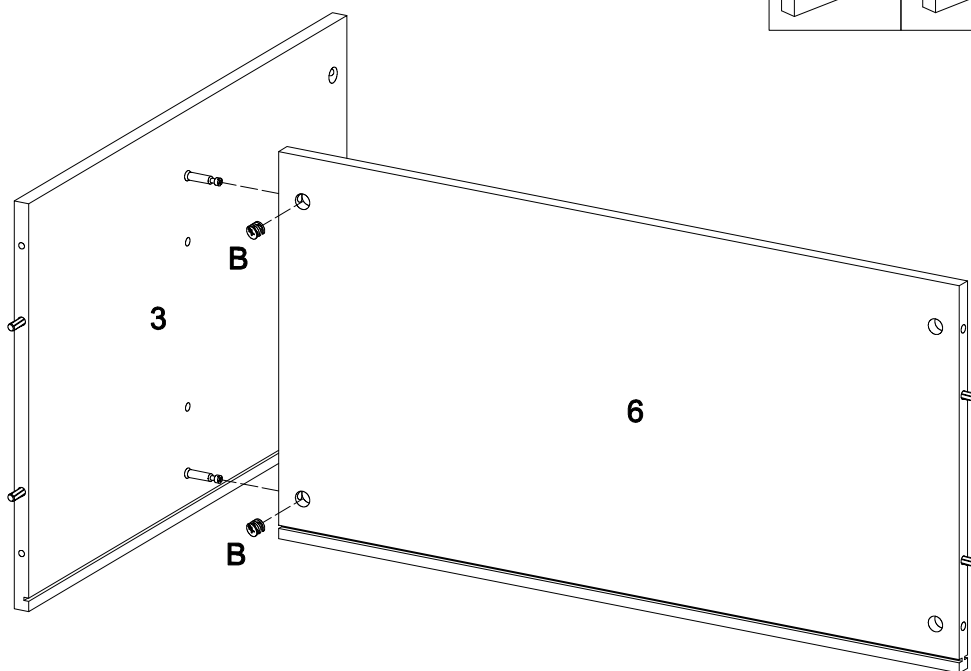
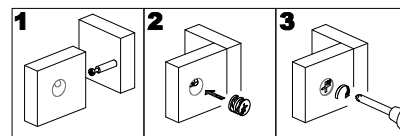
Secure cam bolt (C) to top panel (1).

Step 3



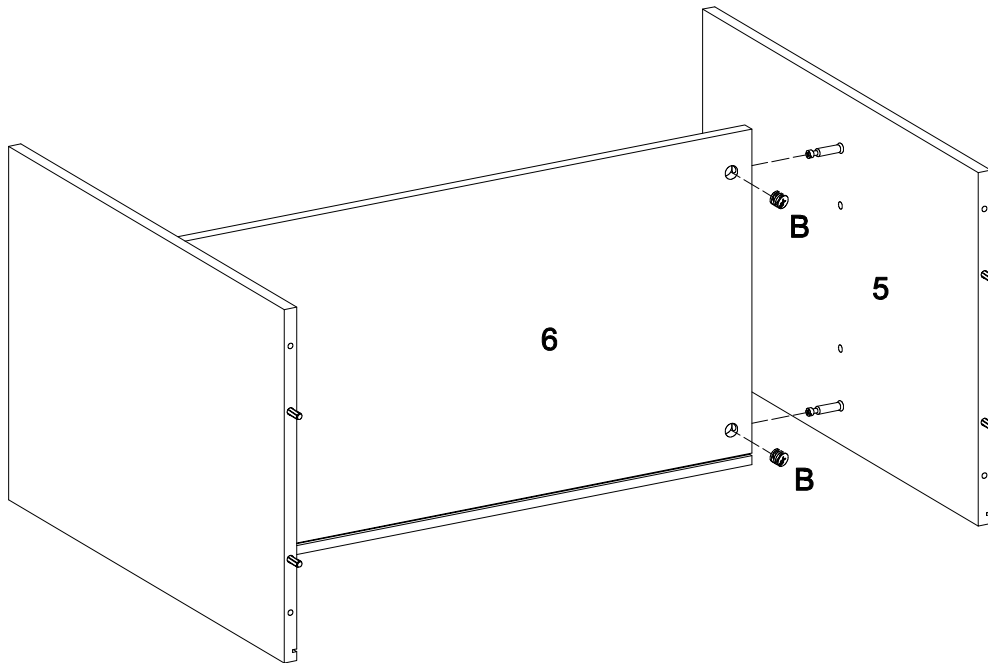
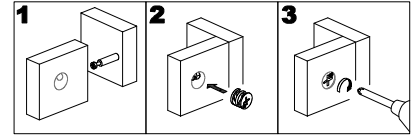
Insert wooden dowel (A) into shelf (6).

Step 4



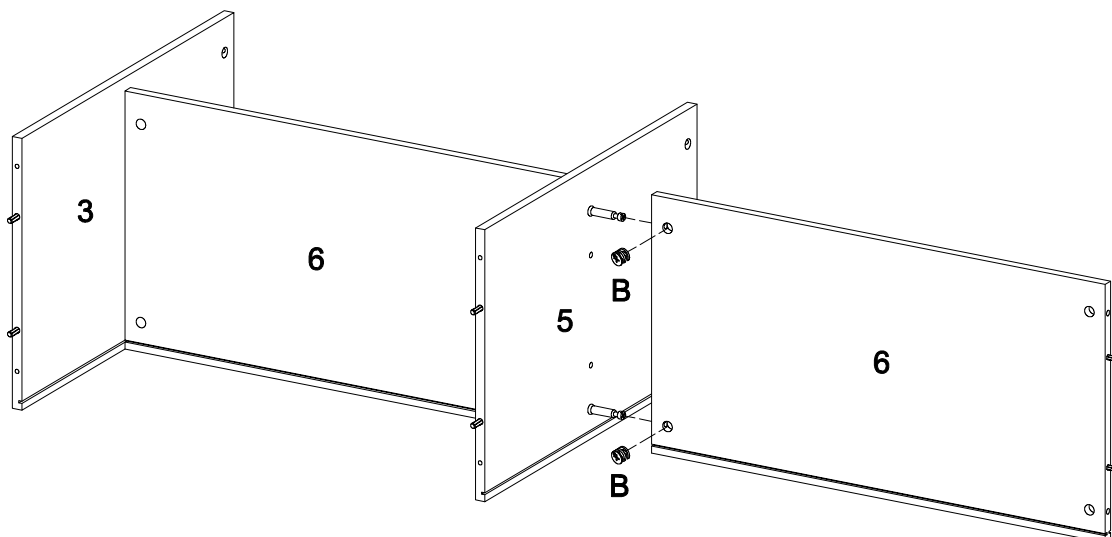
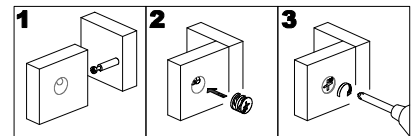
Insert side panel (3) into shelf (6), then insert and secure cam lock (B) to shelf (6) to lock it.

Step 5



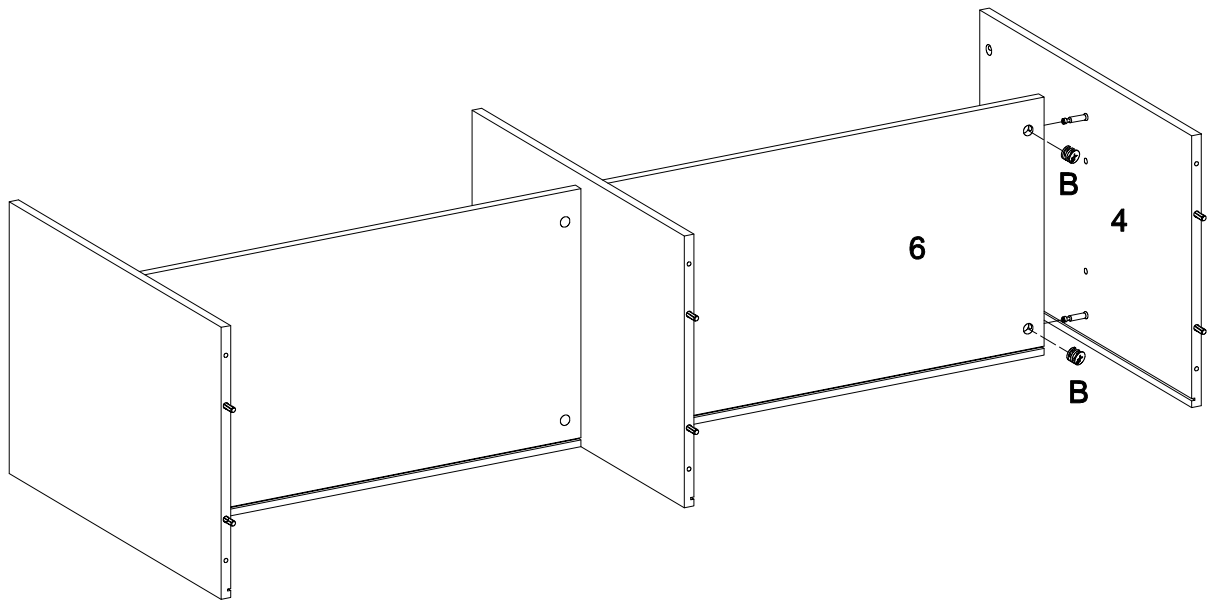
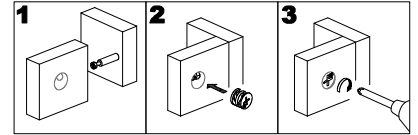
Insert side panel (5) into shelf (6), then insert and secure cam lock (B) to shelf (6) to lock it.

Step 6



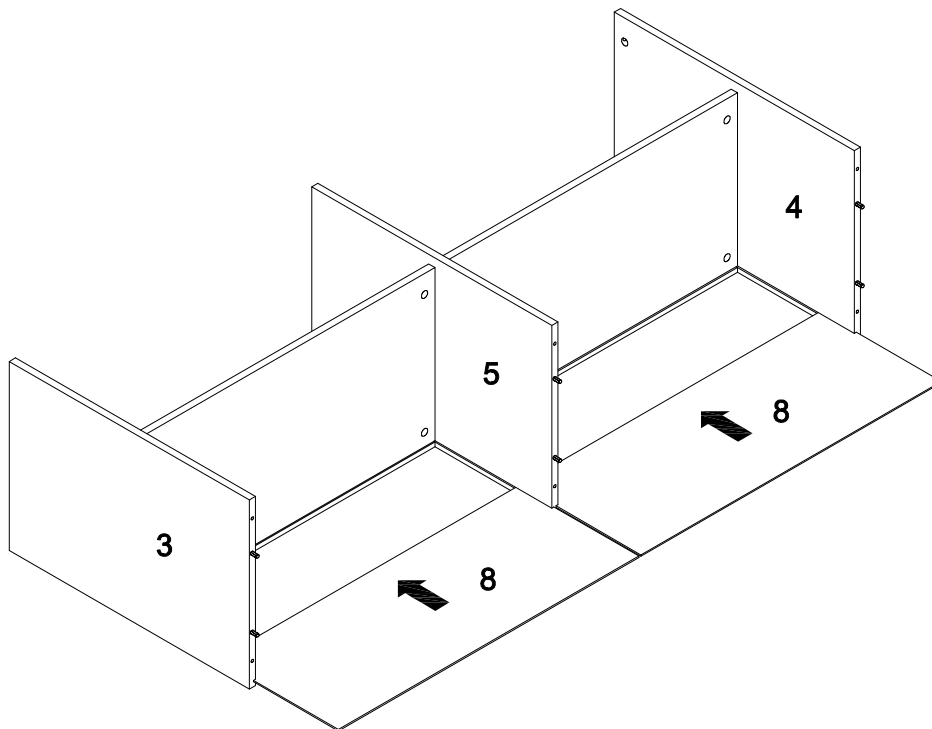
Insert side panel (5) into shelf (6), then insert and secure cam lock (B) to shelf (6) to lock it.

Step 7



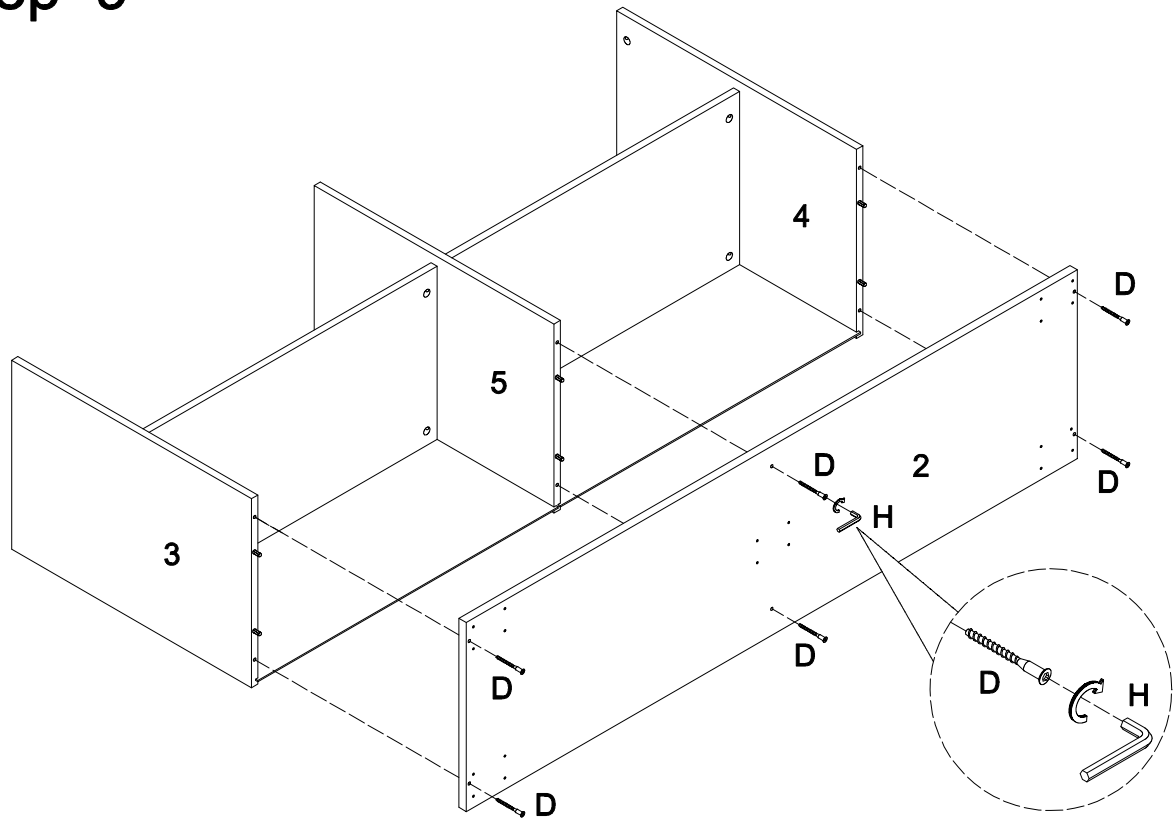
Insert side panel (4) into shelf (6), then insert and secure cam lock (B) to shelf (6) to lock it.

Step 8



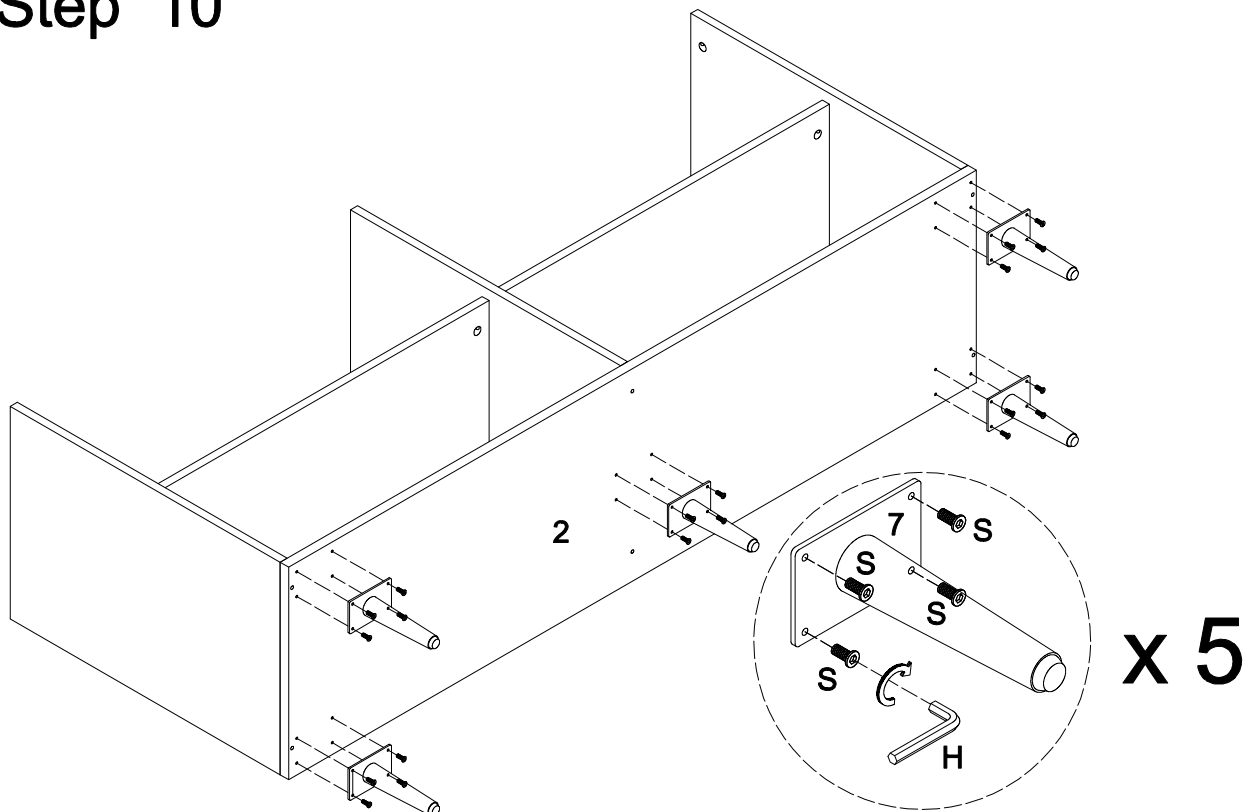
Slide back panels (8) into grooves as per diagram.

Step 9



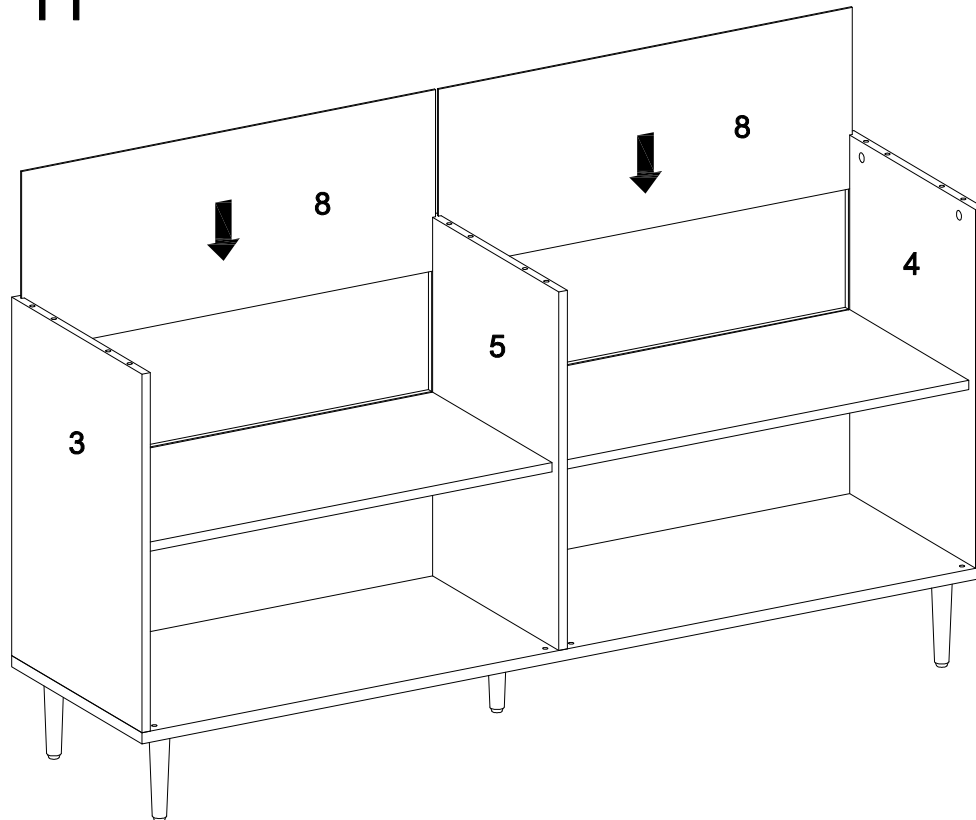
Use wrench (H) to secure bottom panel (2) to side panel (3,4,5) with bolt (D).

Step 10



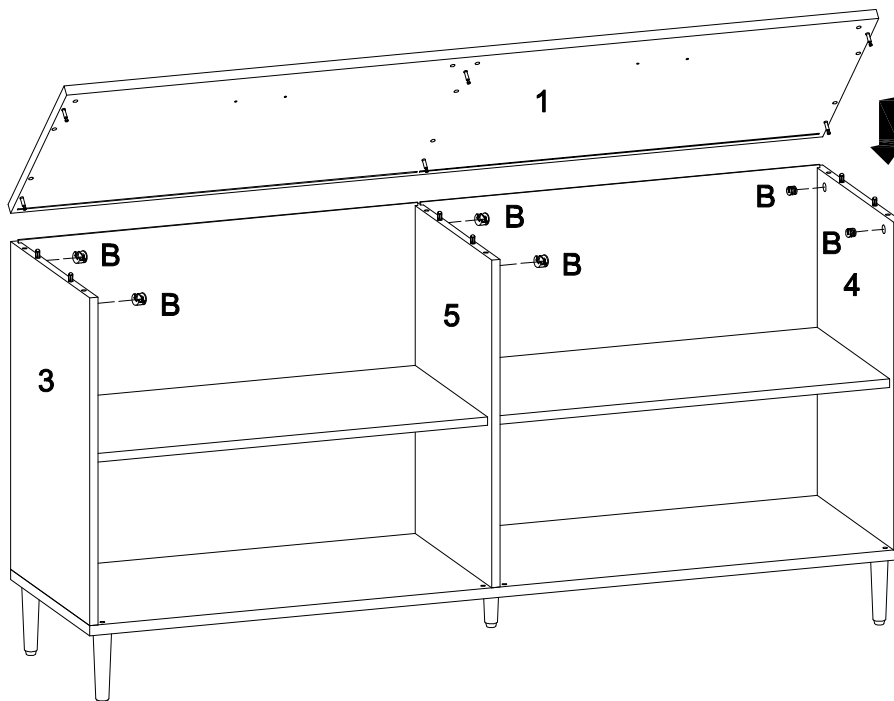
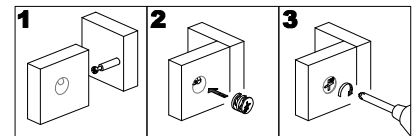
Use wrench (H) to secure leg (7) to bottom panel (2) with bolt (S). Repeat this step five times.

Step 11



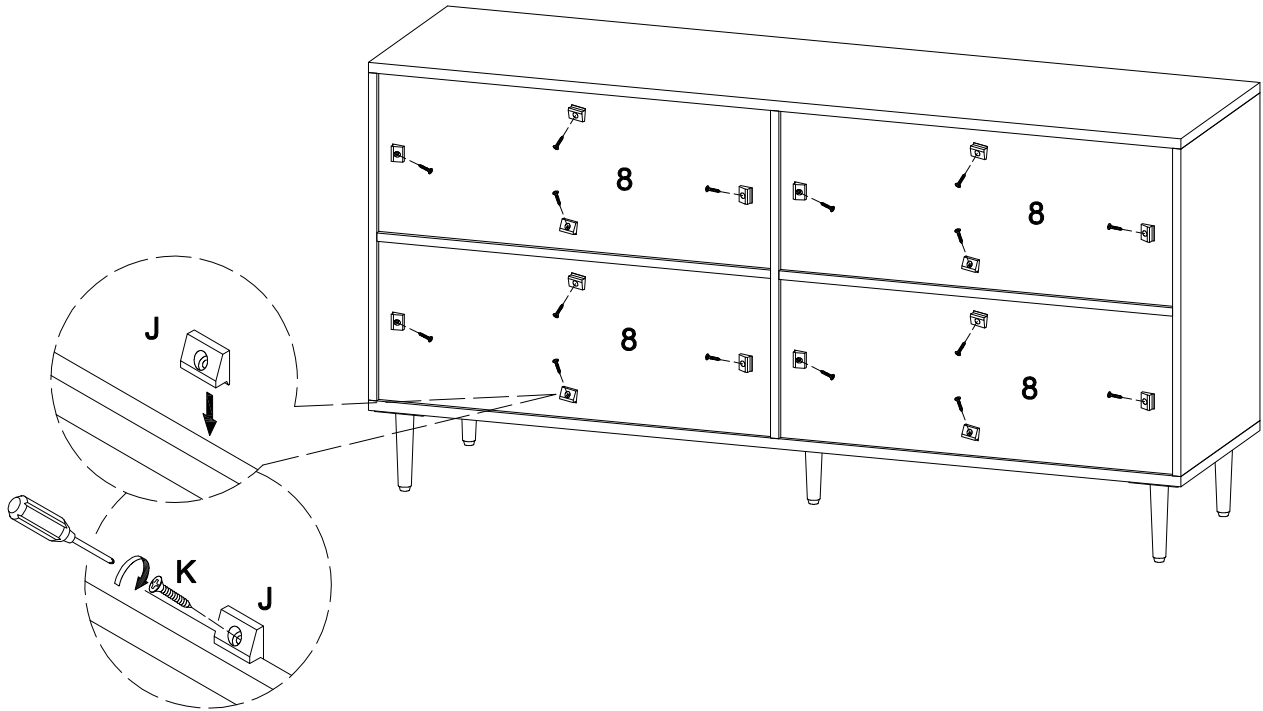
Slide back panels (8) into grooves as per diagram.

Step 12



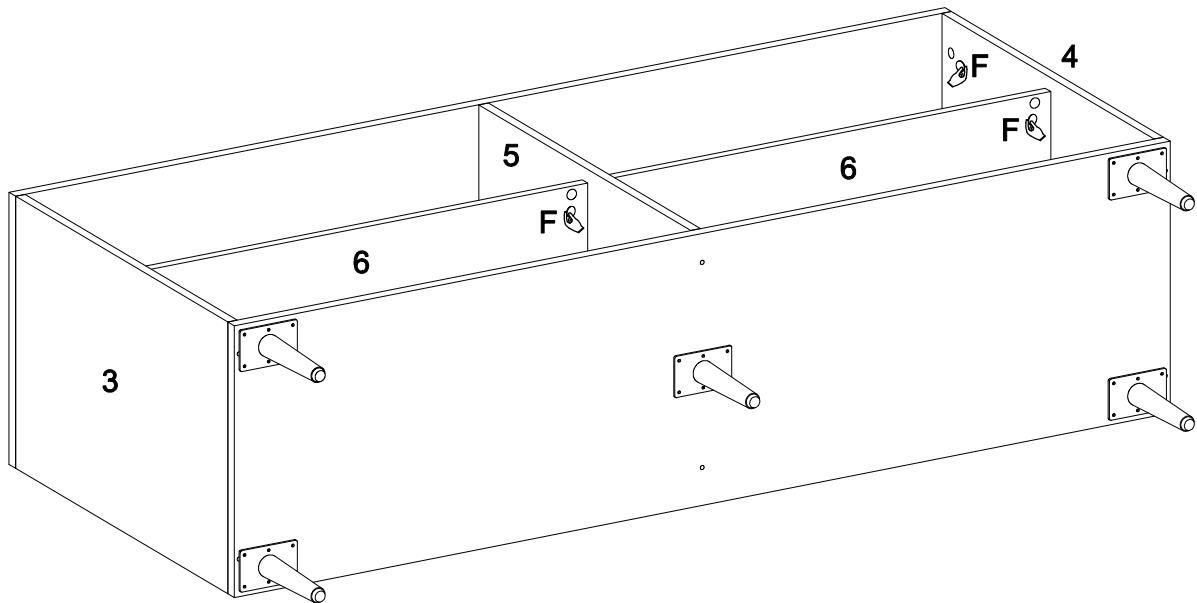
Insert top panel (1) into side panel (3,4,5), then insert and secure cam lock (B) to side panel (3,4,5) to lock it.

Step 13



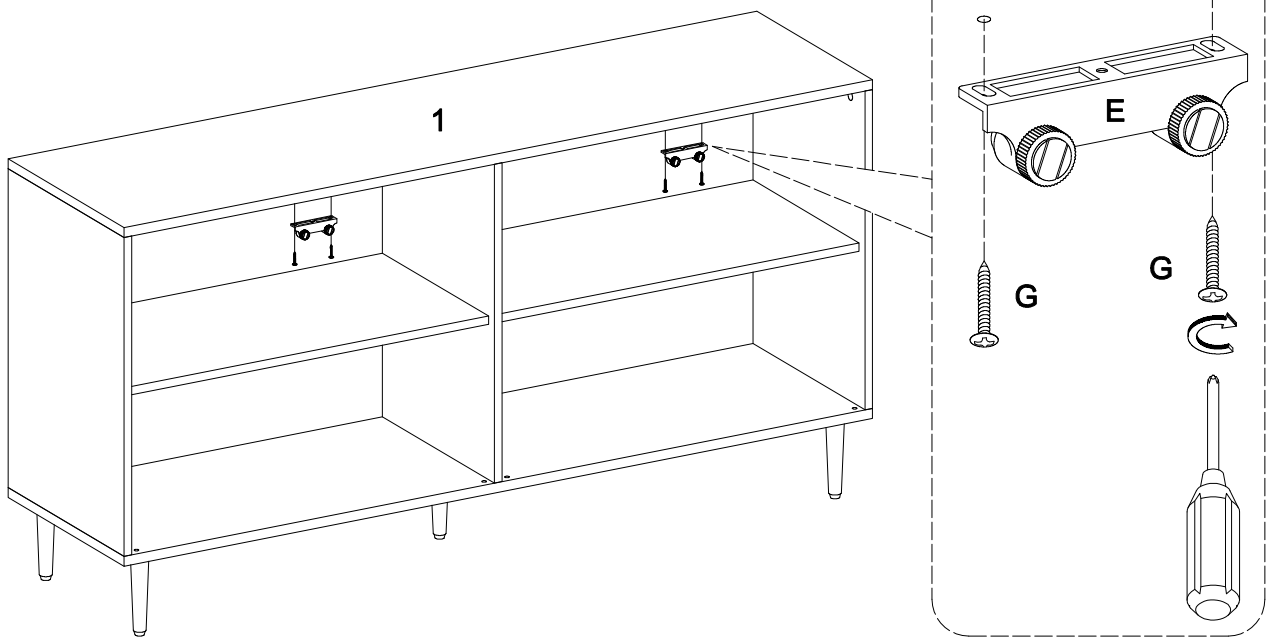
Secure plastic wedge (J) to back panel (8) with screw (K).

Step 14



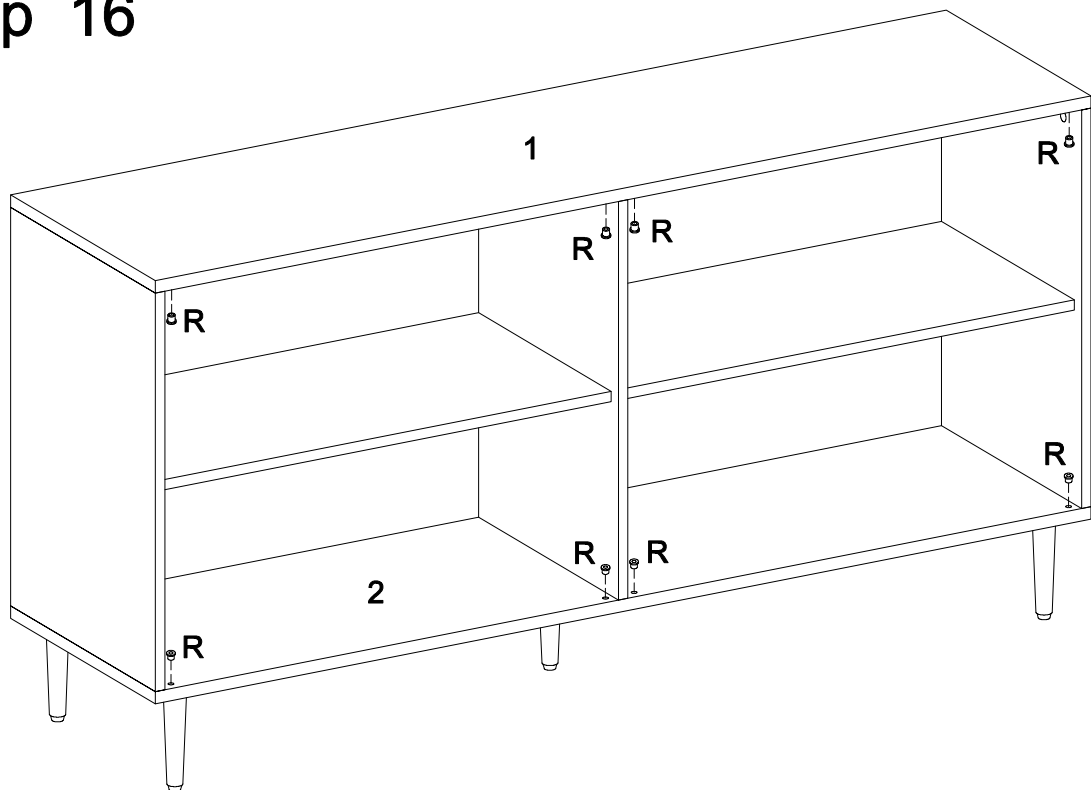
Place sticker (F) over holes as per diagram.

Step 15



Secure door stopper (E) to top panel (1) with screw (G).

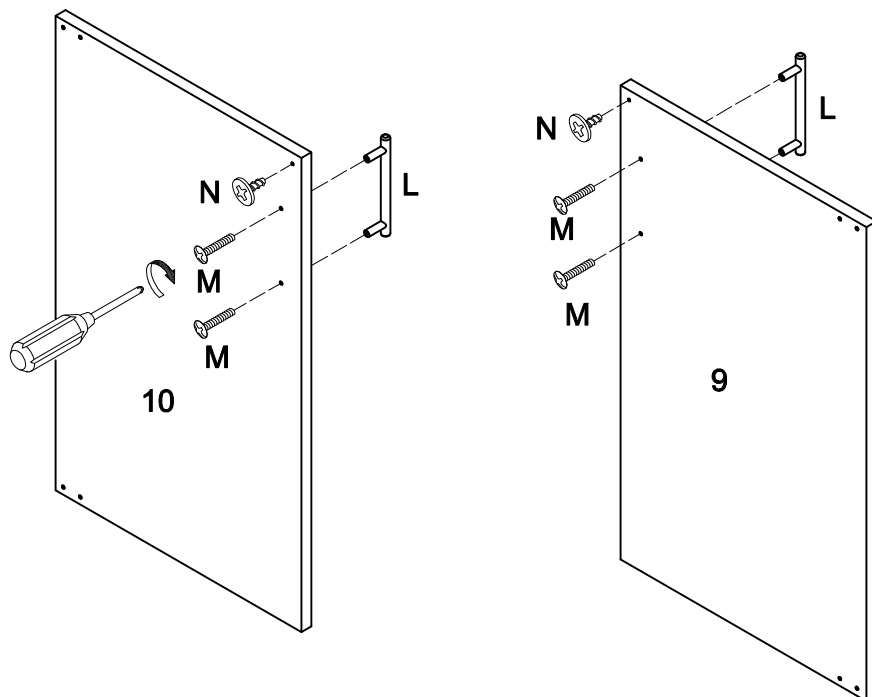
Step 16



Place plastic pivot (R) over holes as per diagram.

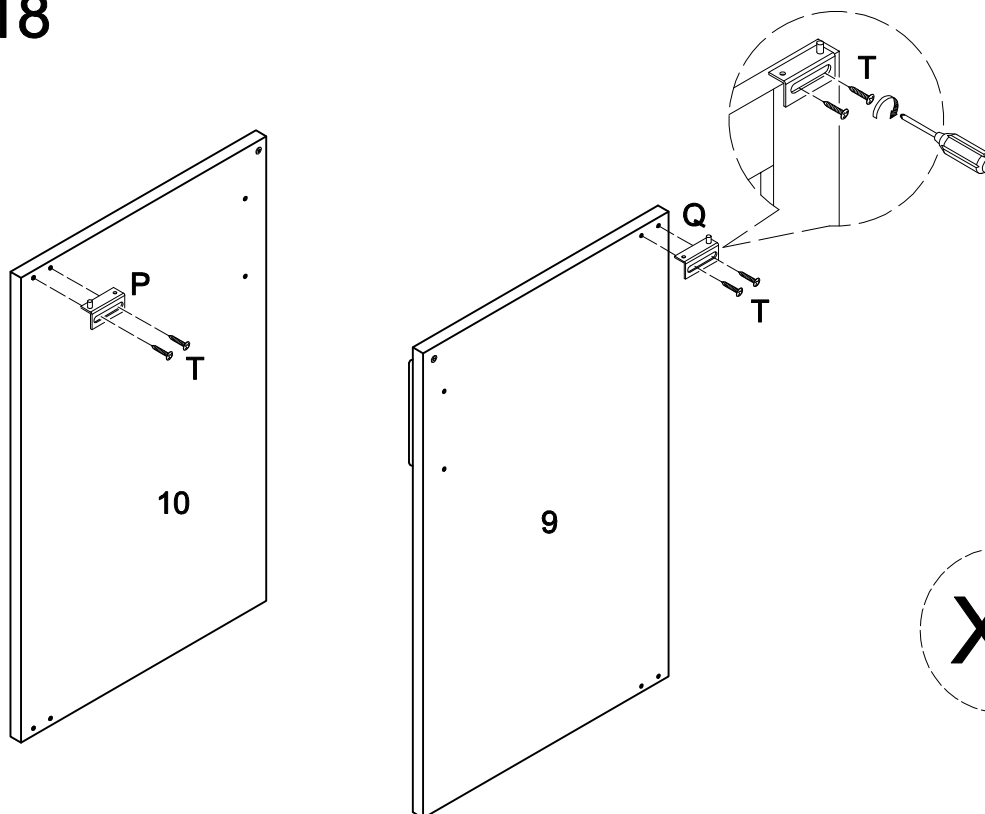
Step 17

X2



Secure handle (L) to door (9,10) with handle bolt (M), and secure bolt (N) to door (9,10). Repeat this step.

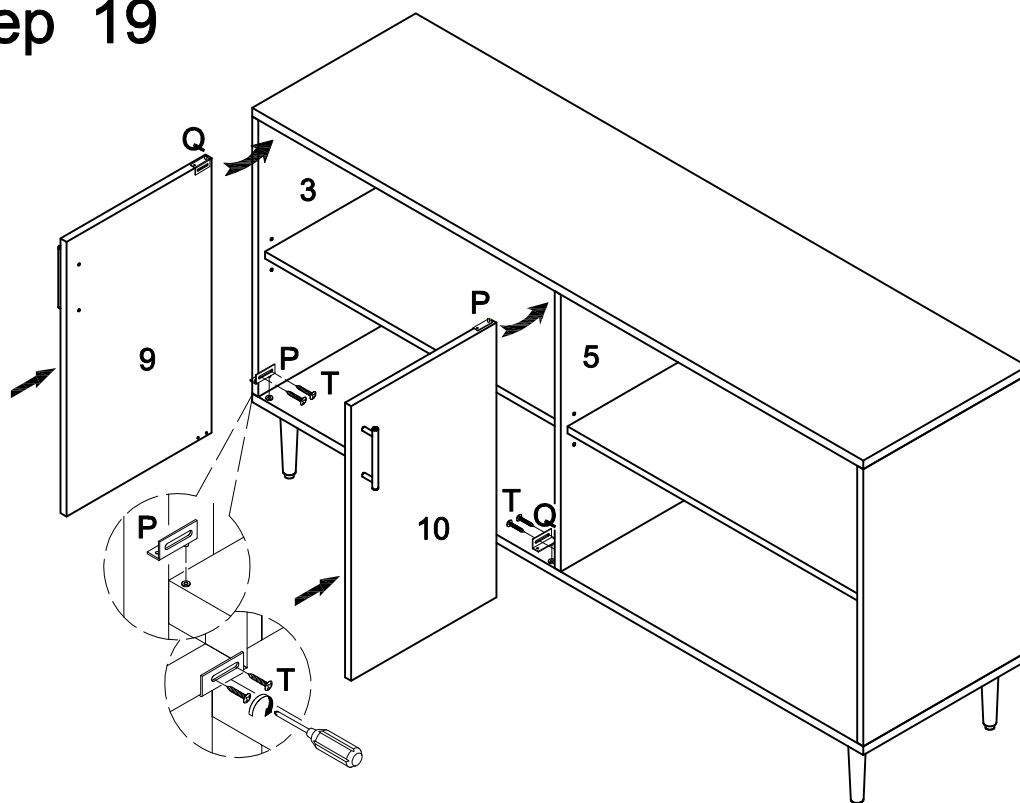
Step 18



X2

Secure door hinge (P) to door (10) and door hinge (Q) to door (9) with screw (T). Repeat this step.

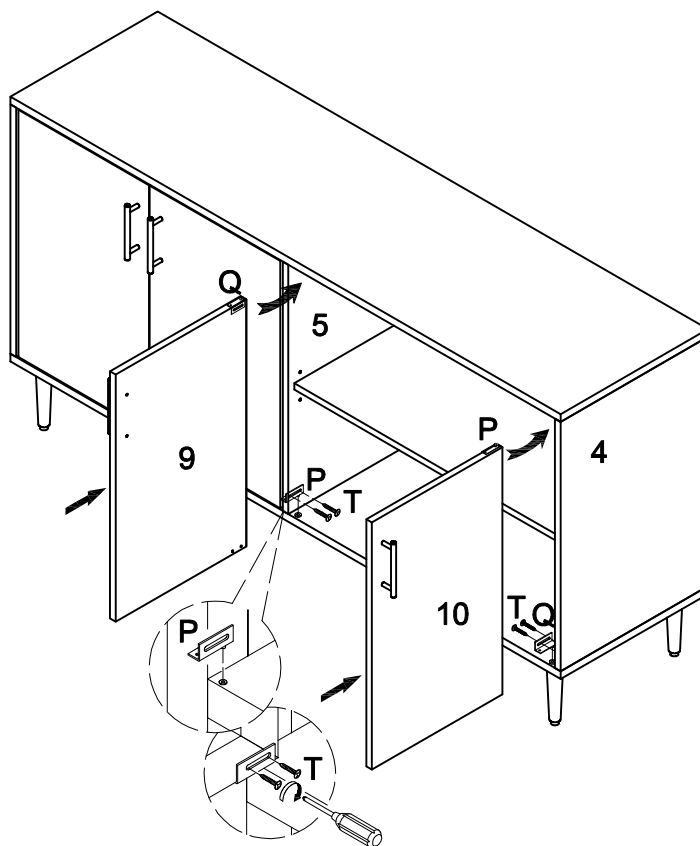
Step 19



Insert door hinge (P,Q) into panel hole as per diagram.

Slide door (9,10) onto door hinge as shown in diagram and secure it with screw (T).

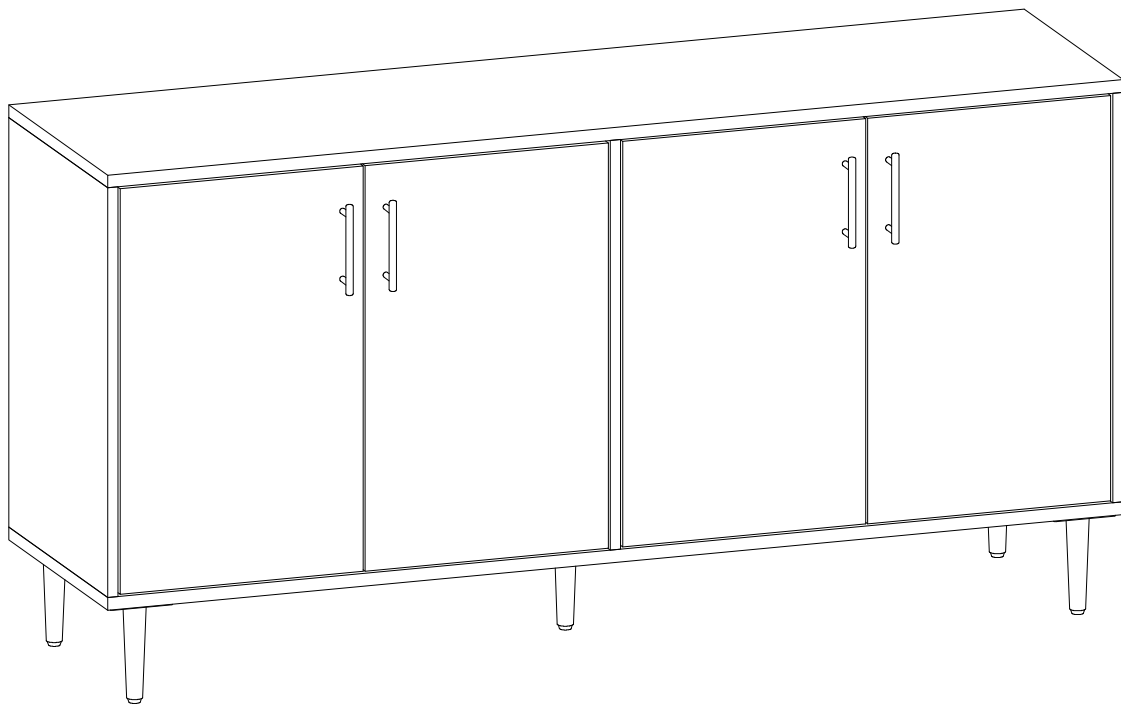
Step 20



Insert door hinge (P,Q) into panel hole as per diagram.

Slide door (9,10) onto door hinge as shown in diagram and secure it with screw (T).

Step 21



Final Assembly