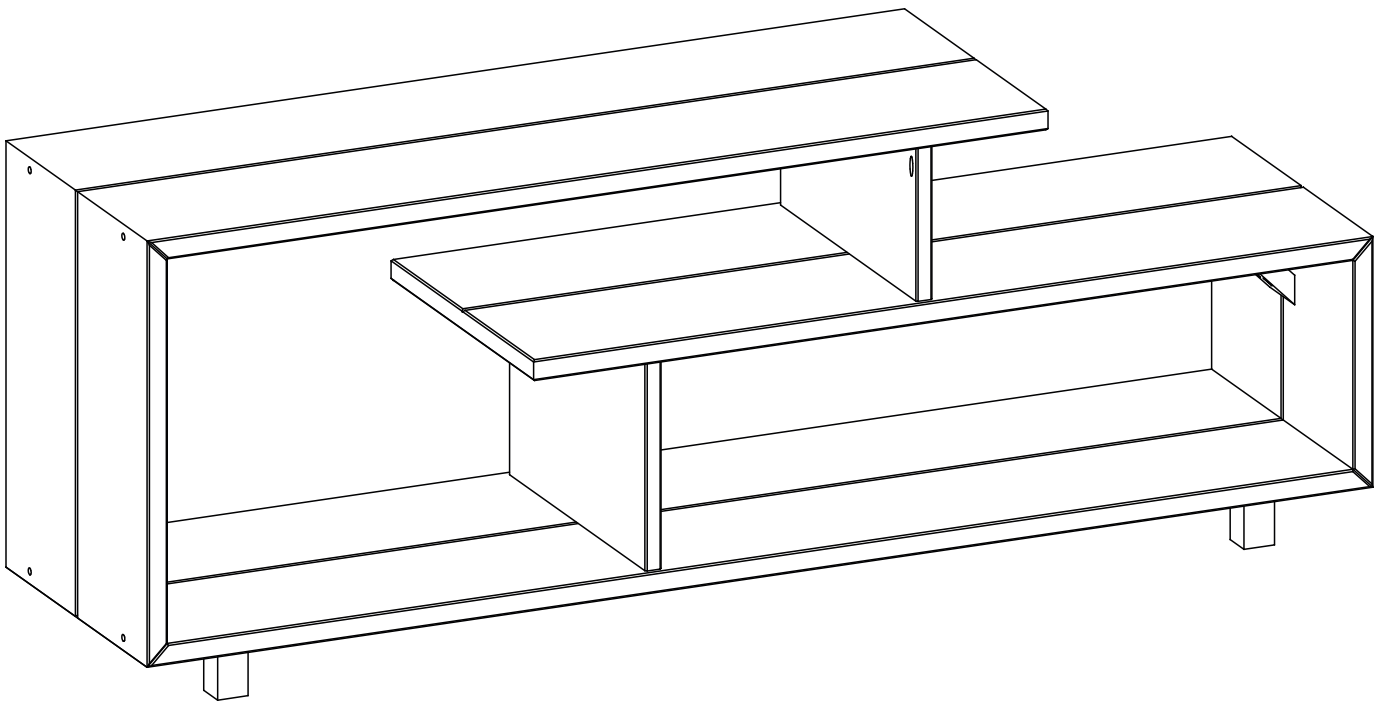


Item # : **W60RSW**
Assembly Instructions

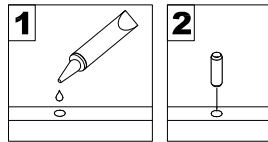


For the most current instructions, additional assembly tips, to report damage or request parts,
Please visit our website at www.walkeredison.com

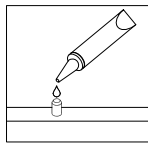
Revised 04/2018

General Assembly Guidelines

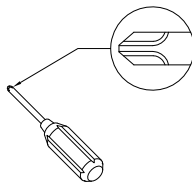
- I. Ensure that all parts and hardware are available before beginning assembly.
- II. Follow each step carefully to ensure the proper assembly of this product.
- III. Two people are recommended for ease in the assembly of this product.
- IV. The three main types of hardware used to assemble this product are : wood dowels , screws and bolts.
- V. The provided glue is to secure wood dowels in place . When first inserting dowels , locate the appropriate hole for the dowel , place a small amount of glue in the hole and insert the dowel . Wipe away excess glue immediately.



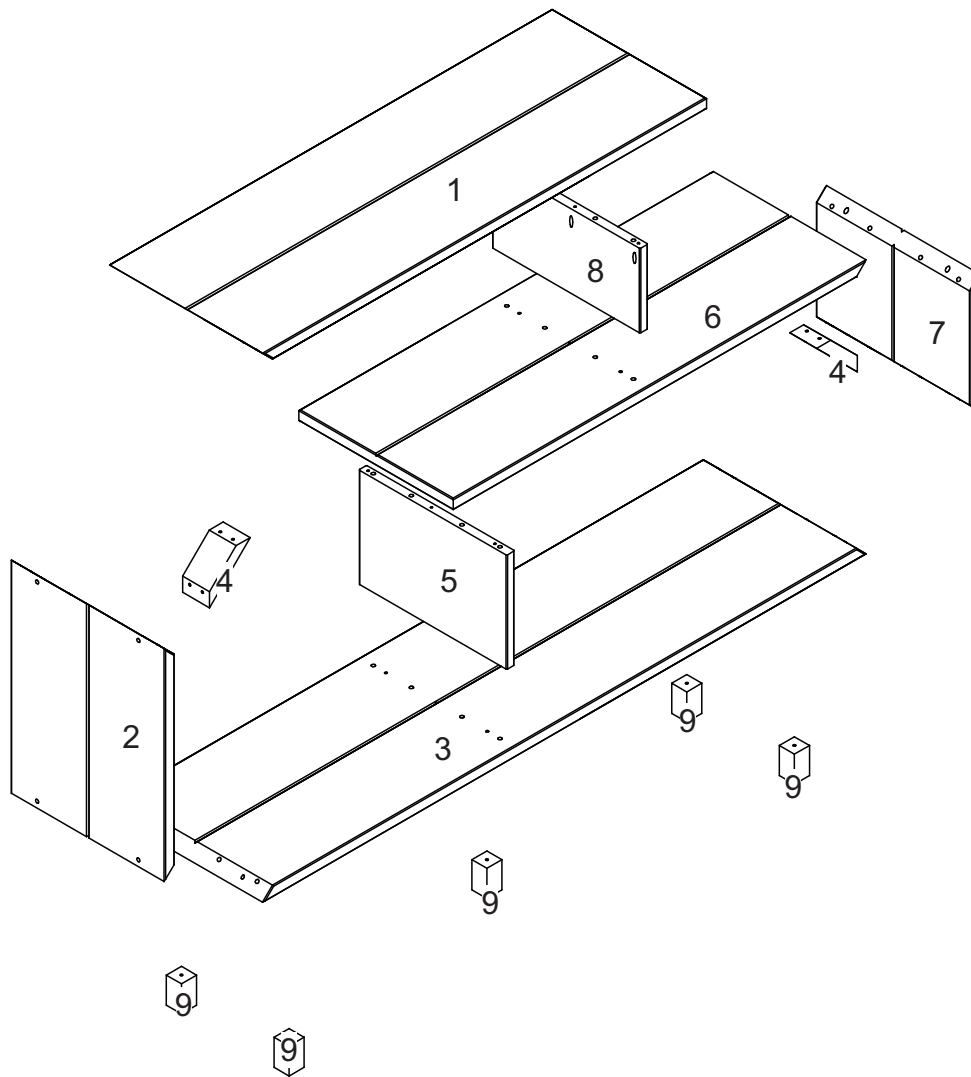
In future assembly steps when dowels are necessary to attach assembly parts together , place a small amount of glue on the end of the dowel before attaching parts together . Wipe away excess glue immediately.




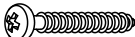





- VI. A Phillips head screwdriver or power tools is required to assembly this product.



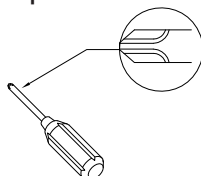
Parts List



Hardware List

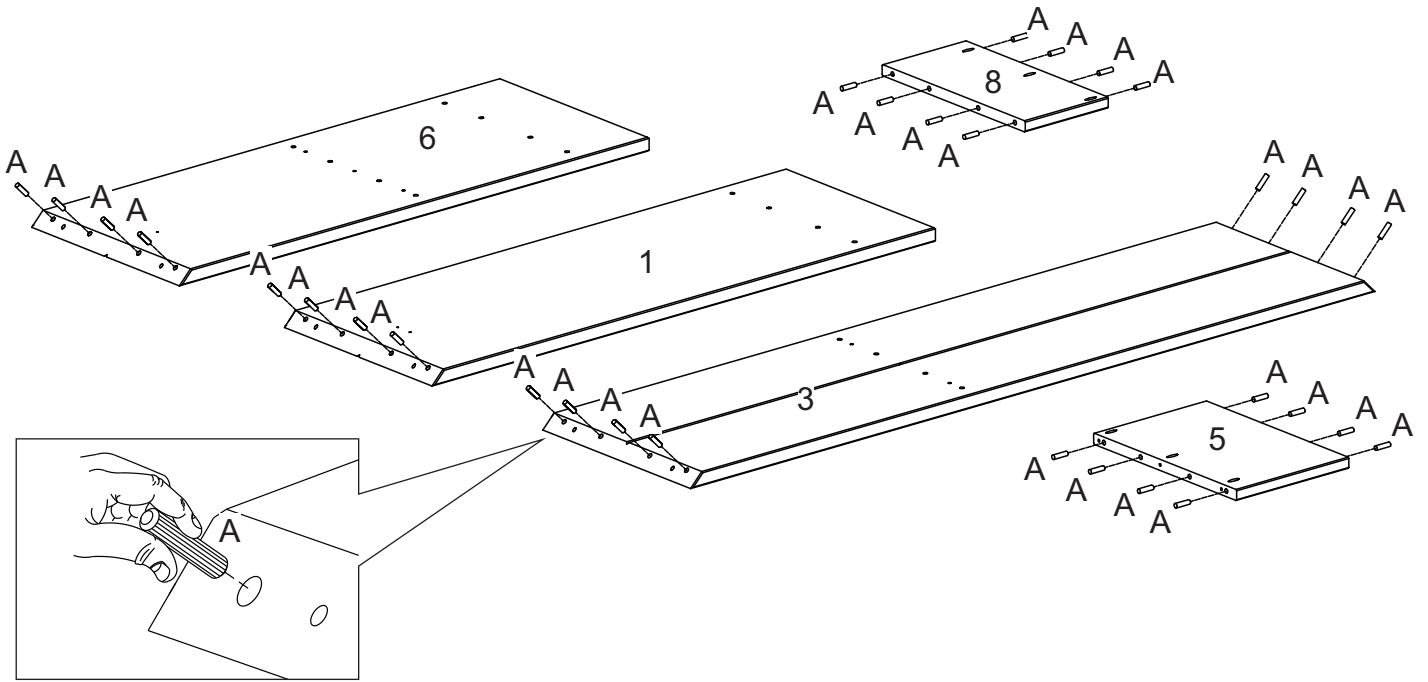
A		Ø8.0x30mm	Wooden dowel	32 pcs
B		Ø4.0x35mm	Screw	14 pcs
C		Ø7x70mm	Screw	08 pcs
D		M4mm	Hex Key	01 pcs
E			Glue tube	01 pcs
F		Ø4.0x45mm	Screw	11 pcs
G			Adjustable Foot	05 pcs

A Phillips head screwdriver or power tools is required to assembly this product (Not included).



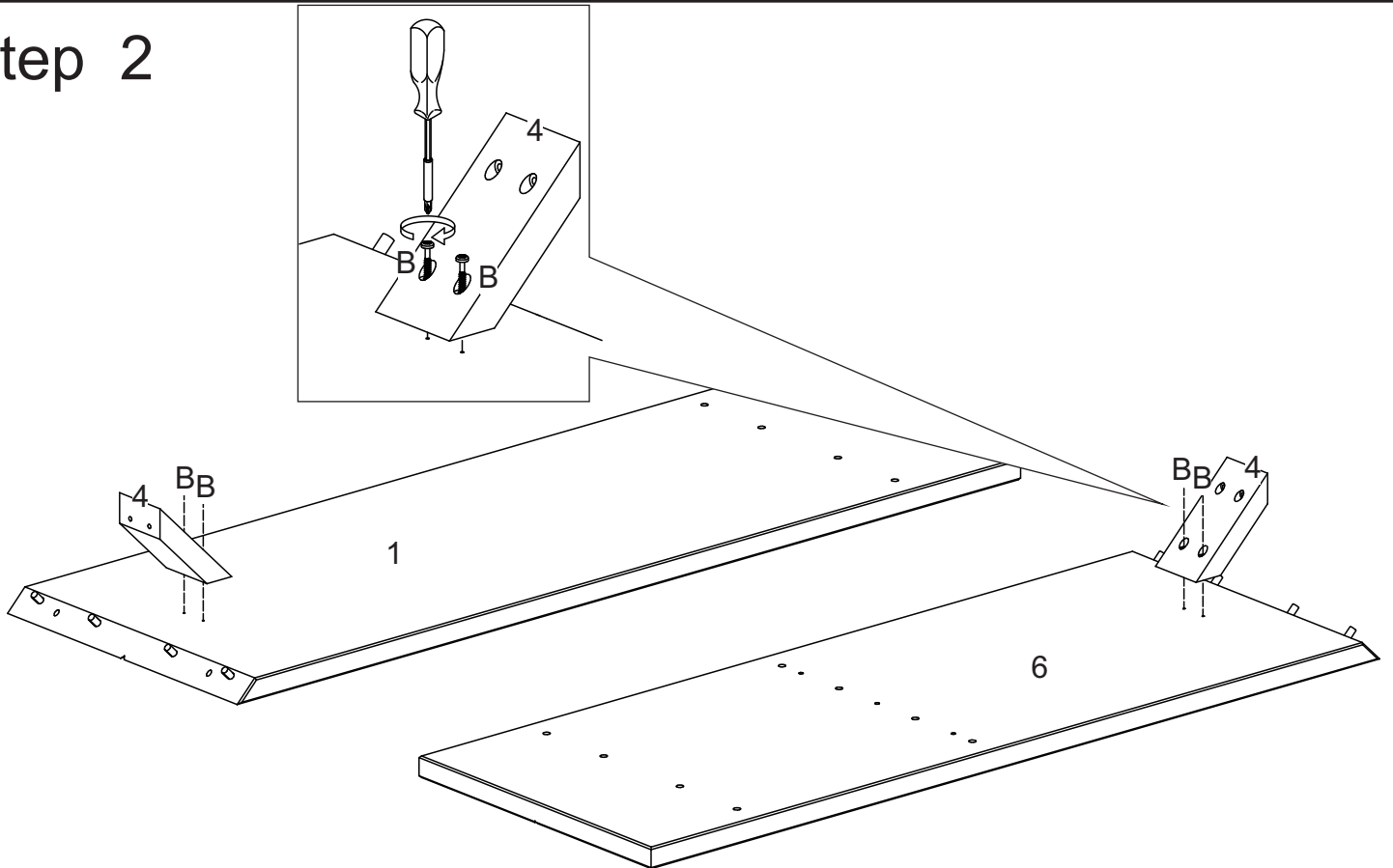
The hardware quantities listed above are required for proper assembly.
Some extra hardware may also have been included.

Step 1



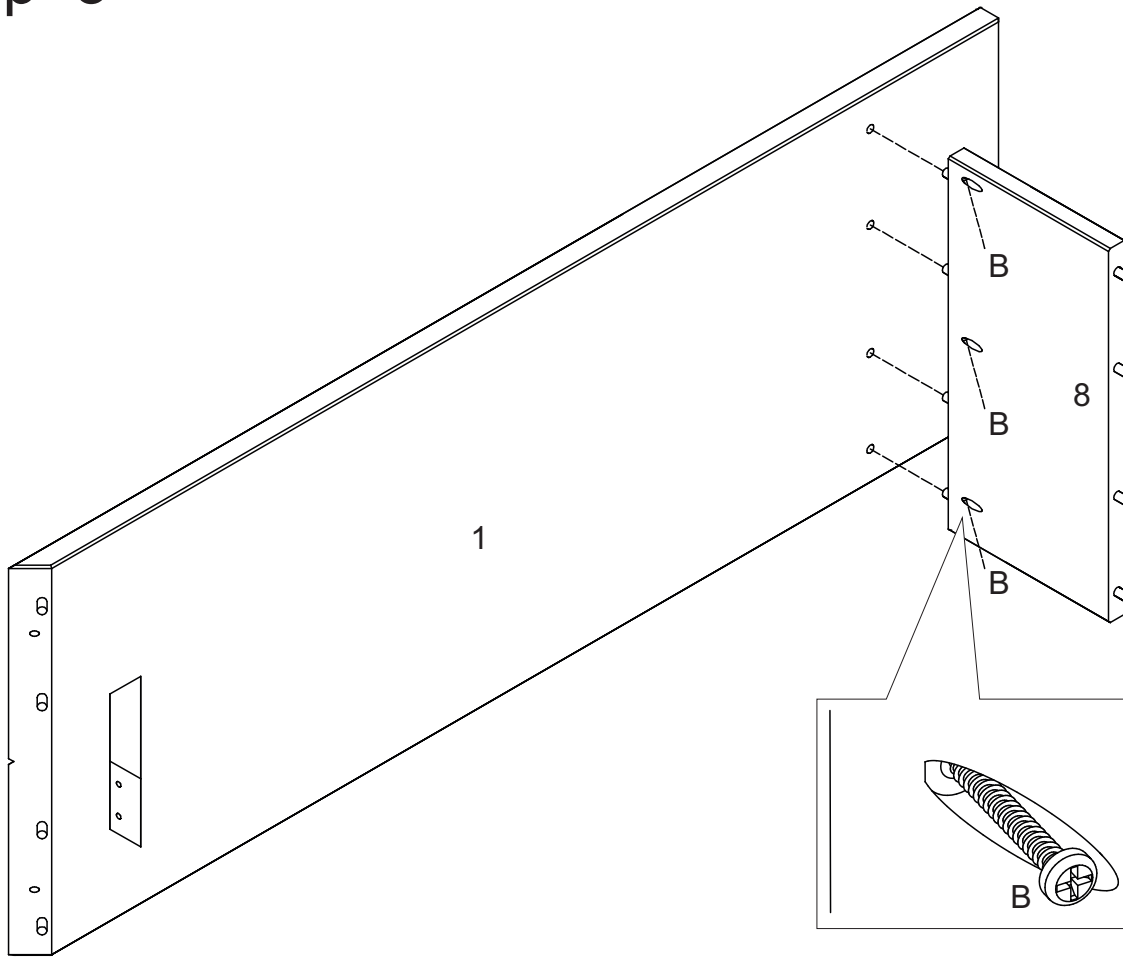
Insert Wooden dowel (A) into part (1), (3), (5), (6) and (8).

Step 2



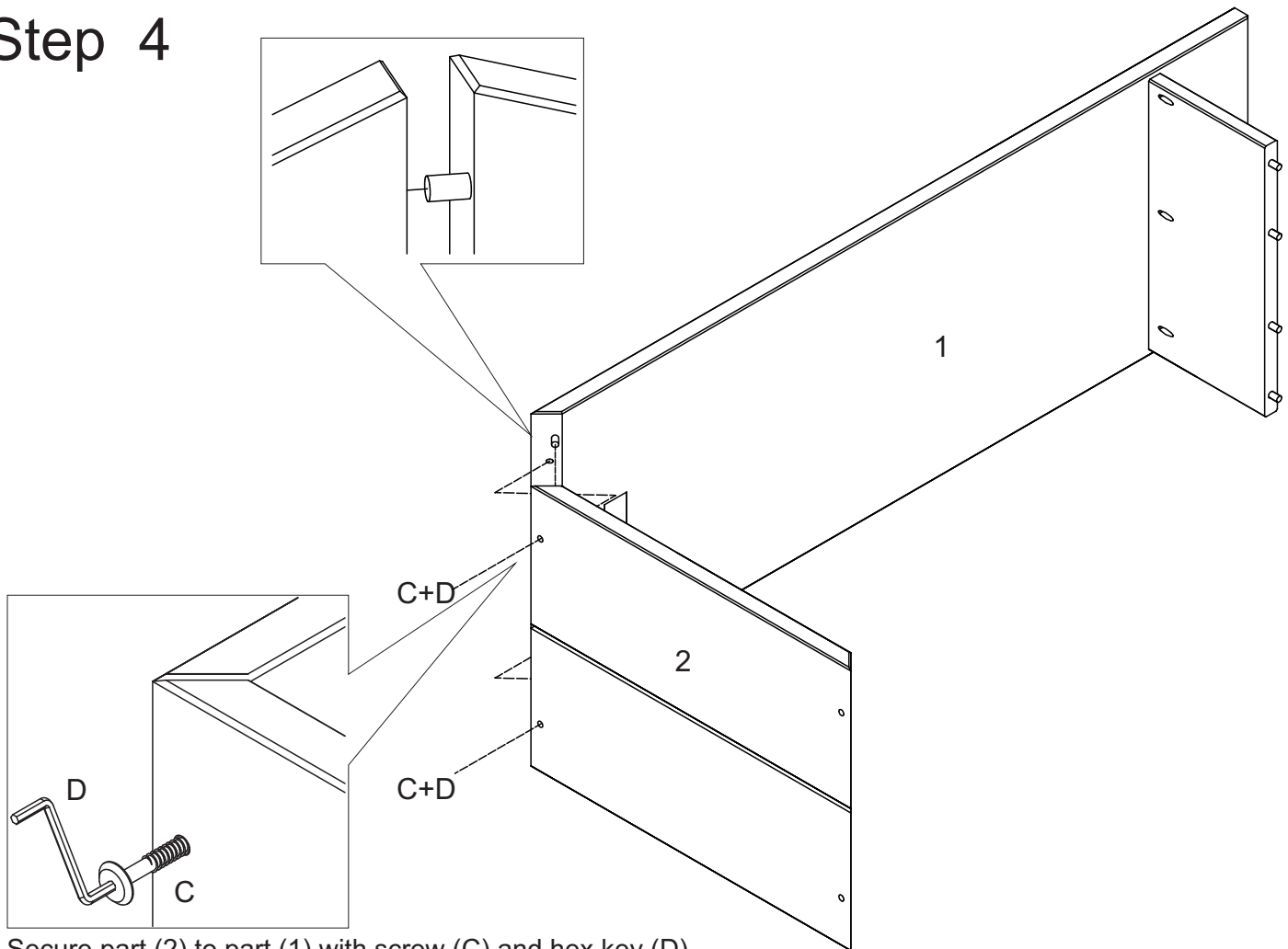
Secure part (4) to part (1), (6) with screw (B).

Step 3



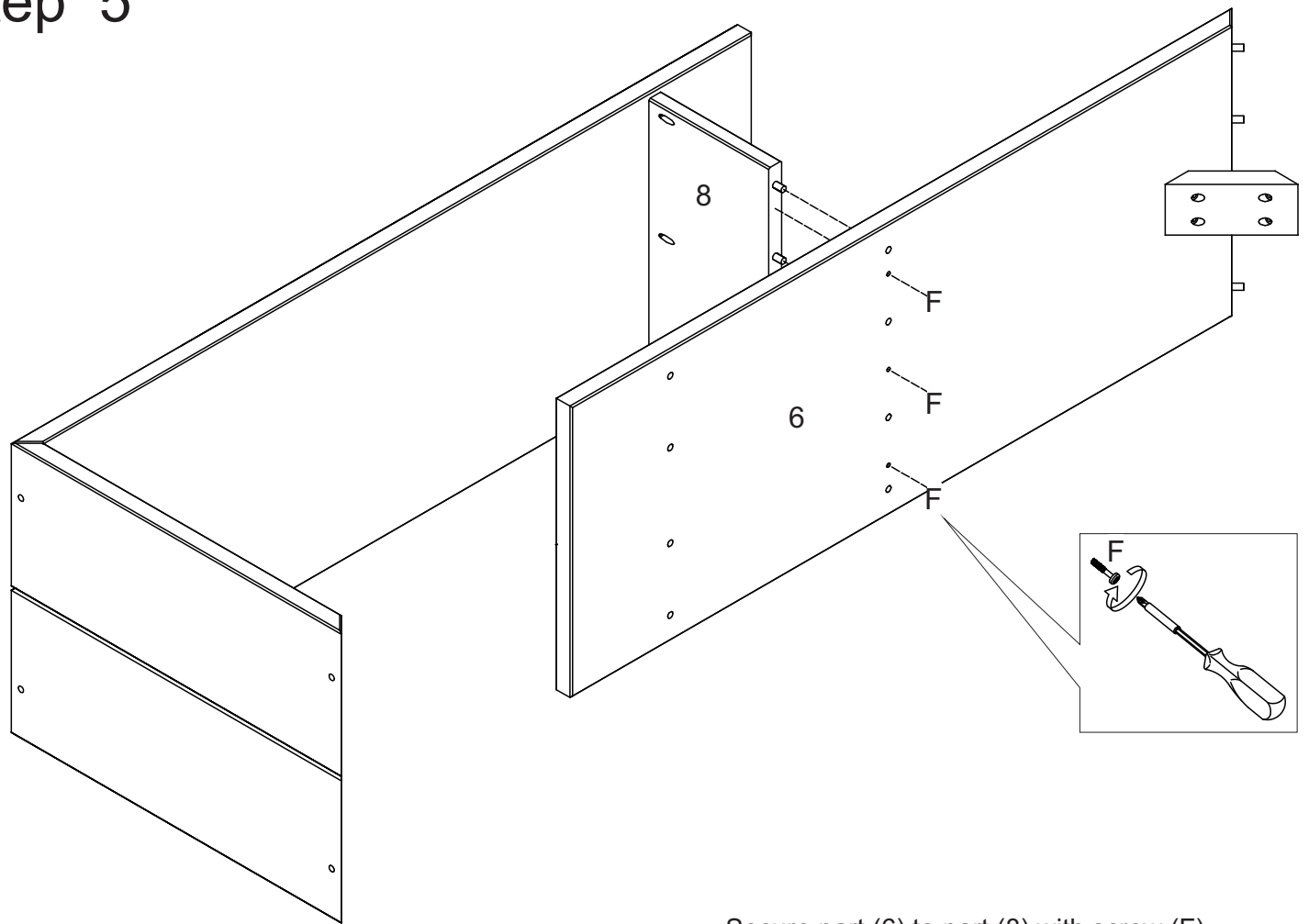
Secure part (8) to part (1) with screw (B).

Step 4



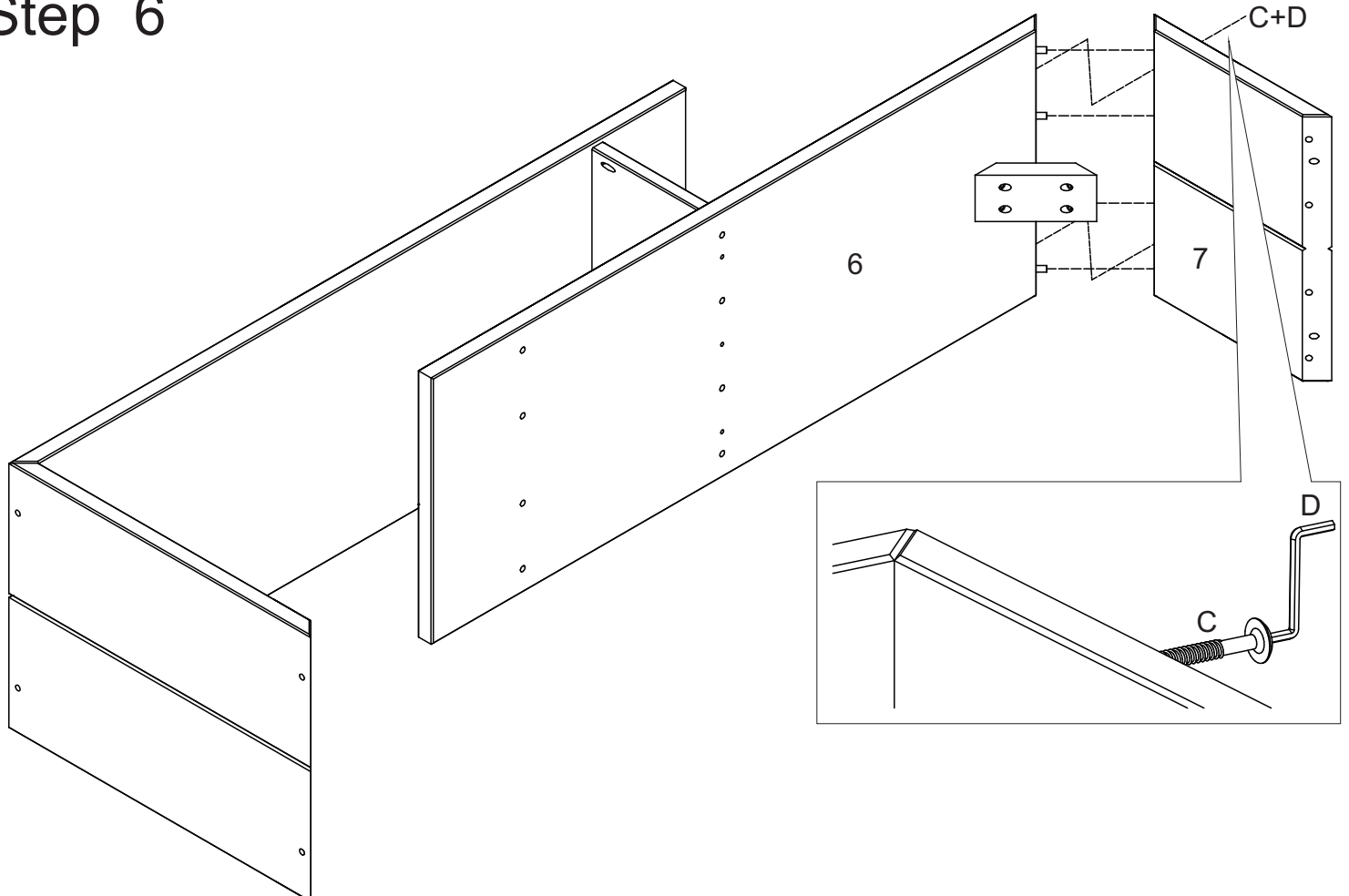
Secure part (2) to part (1) with screw (C) and hex key (D).

Step 5



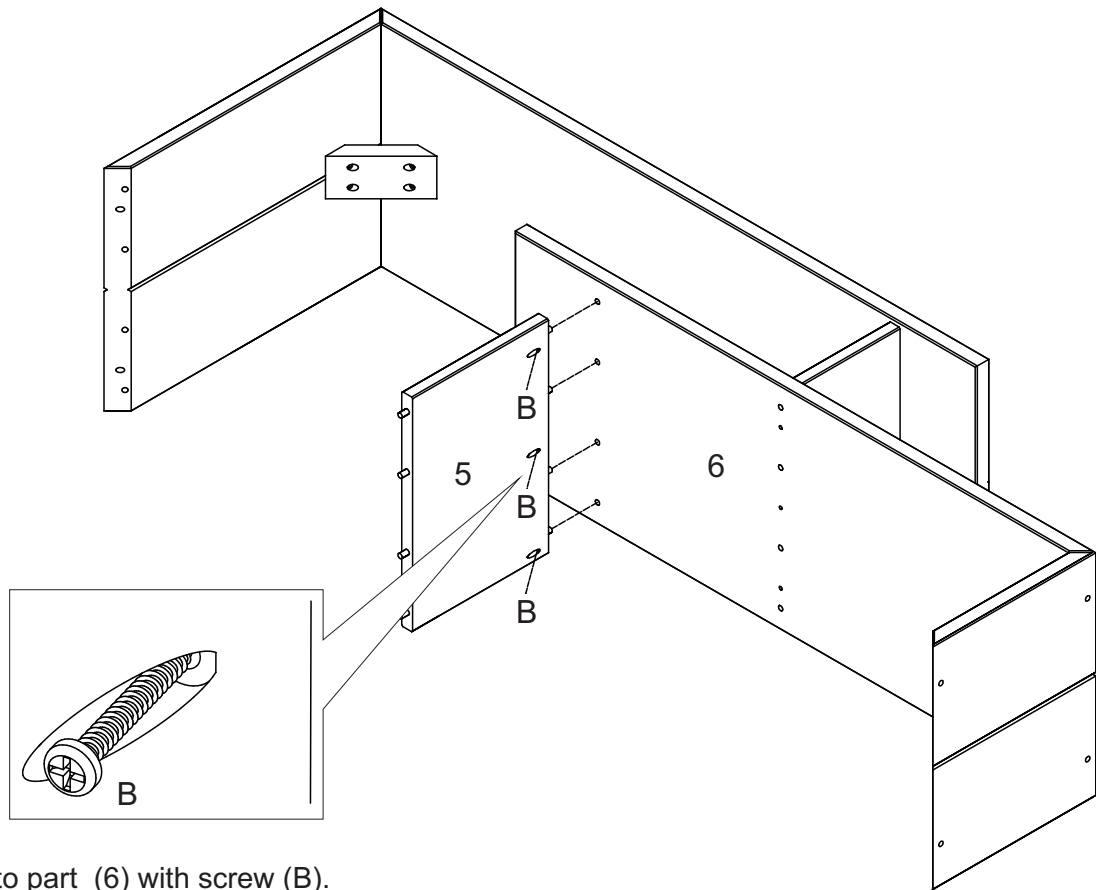
Secure part (6) to part (8) with screw (F).

Step 6



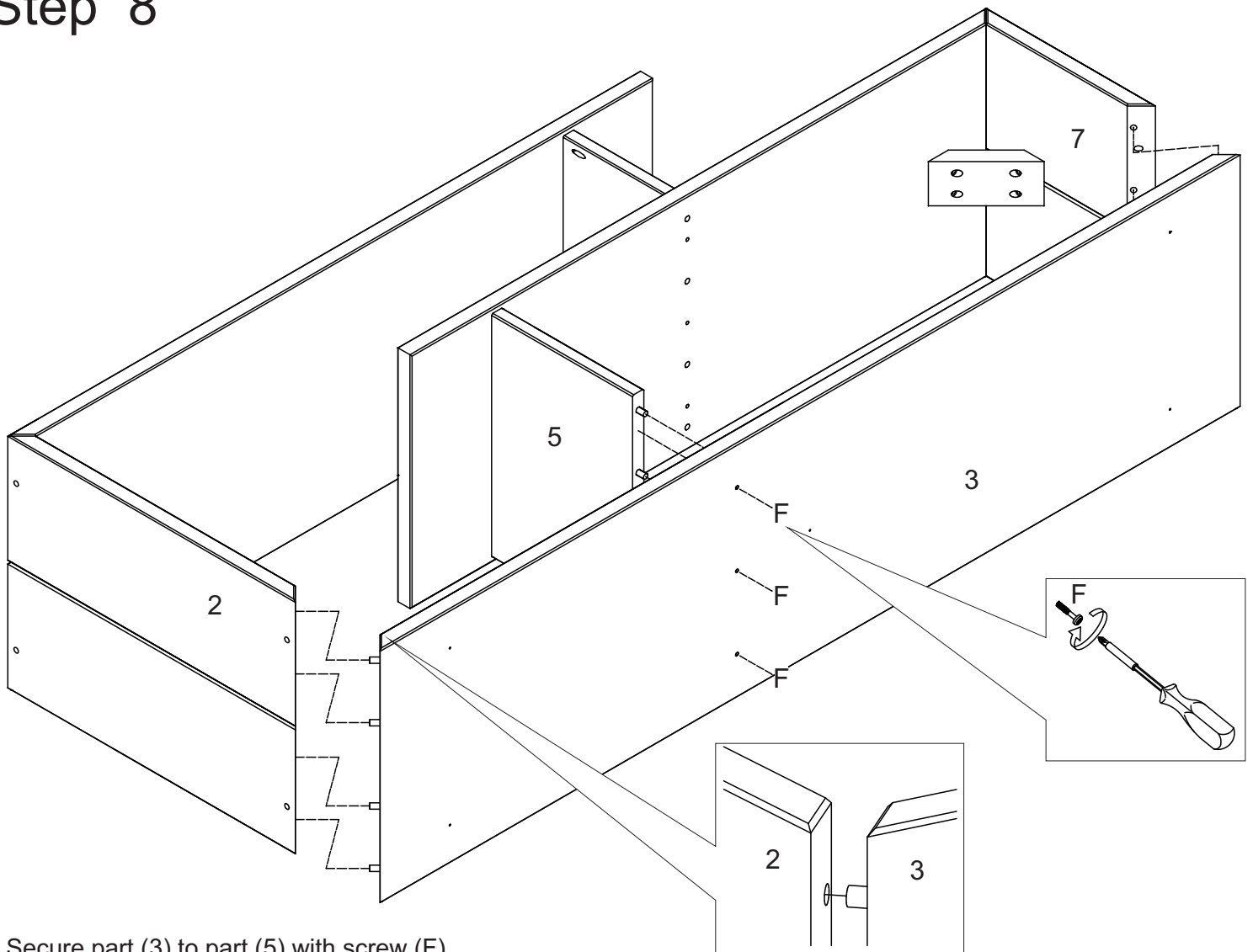
Secure part (7) to part (6) with screw (C) and hex key (D).

Step 7



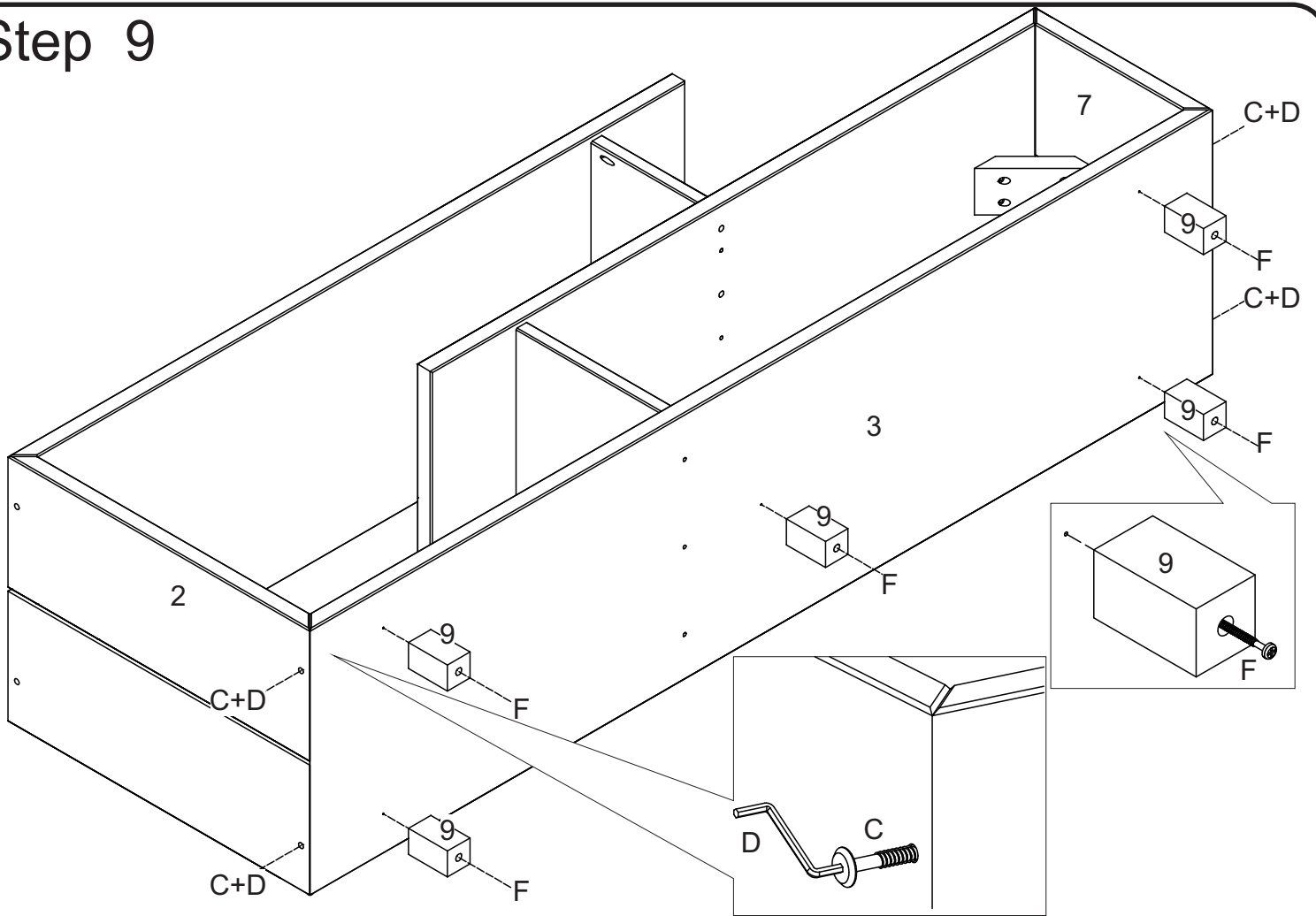
Secure part (5) to part (6) with screw (B).

Step 8



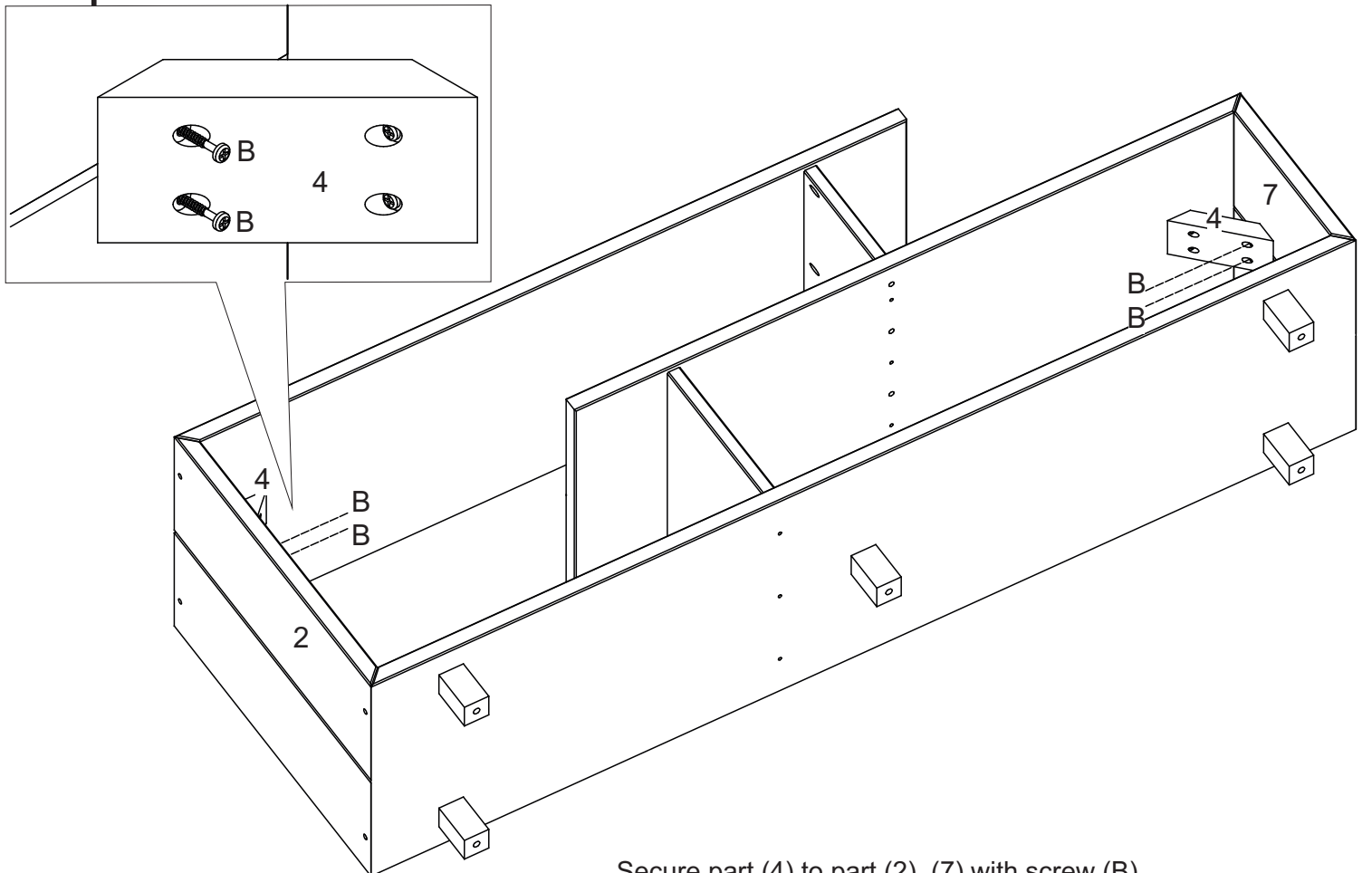
Secure part (3) to part (5) with screw (F).

Step 9



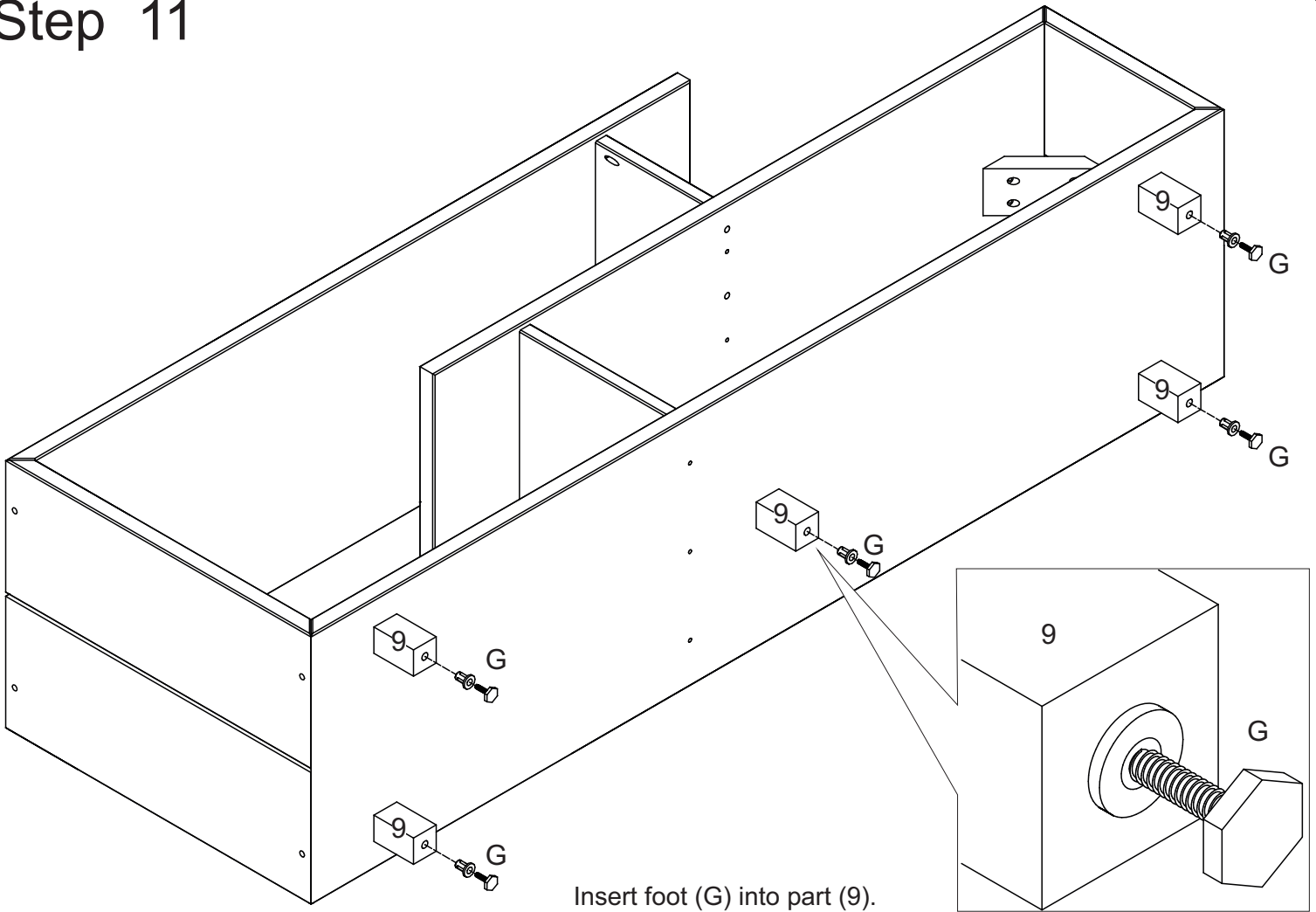
Secure part (3) to part (2), (7) with screw (C) and hex key (D). Secure part (9) to part (3) with screw (F).

Step 10

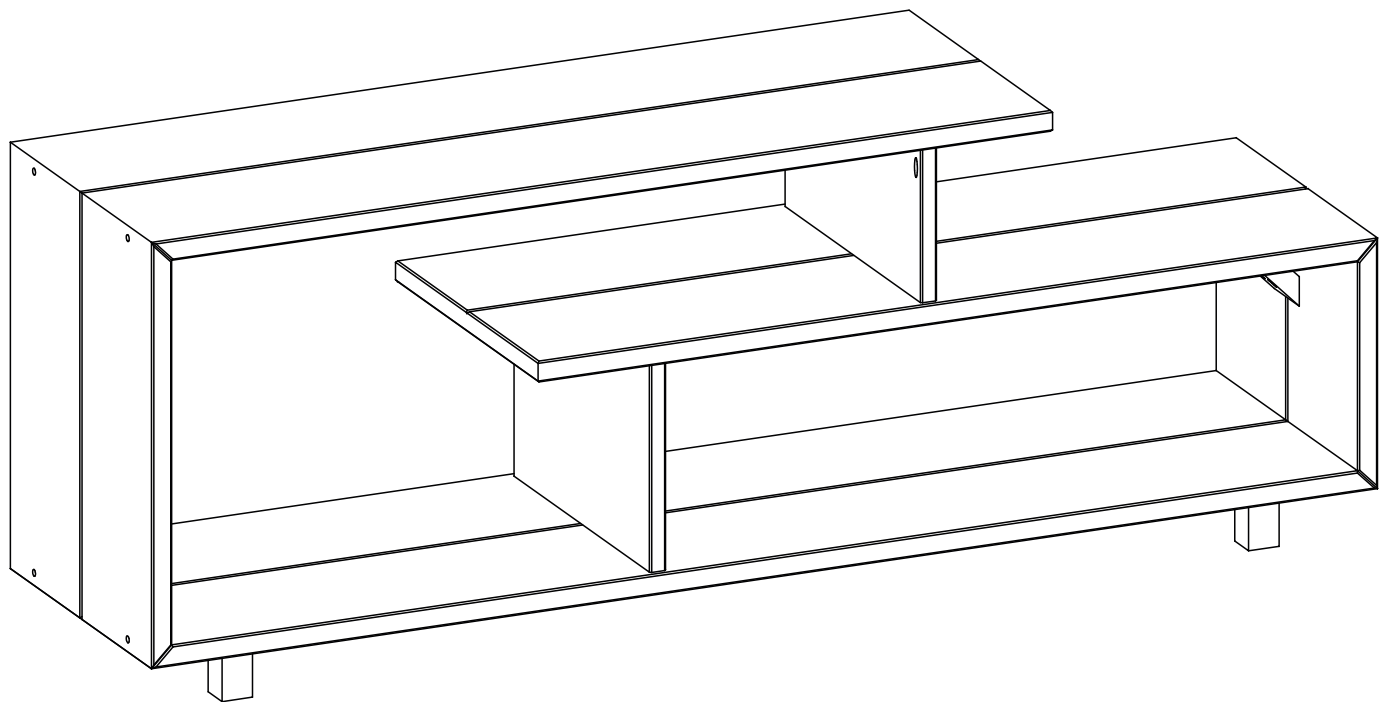


Secure part (4) to part (2), (7) with screw (B).

Step 11



Step 12



Final Assembly