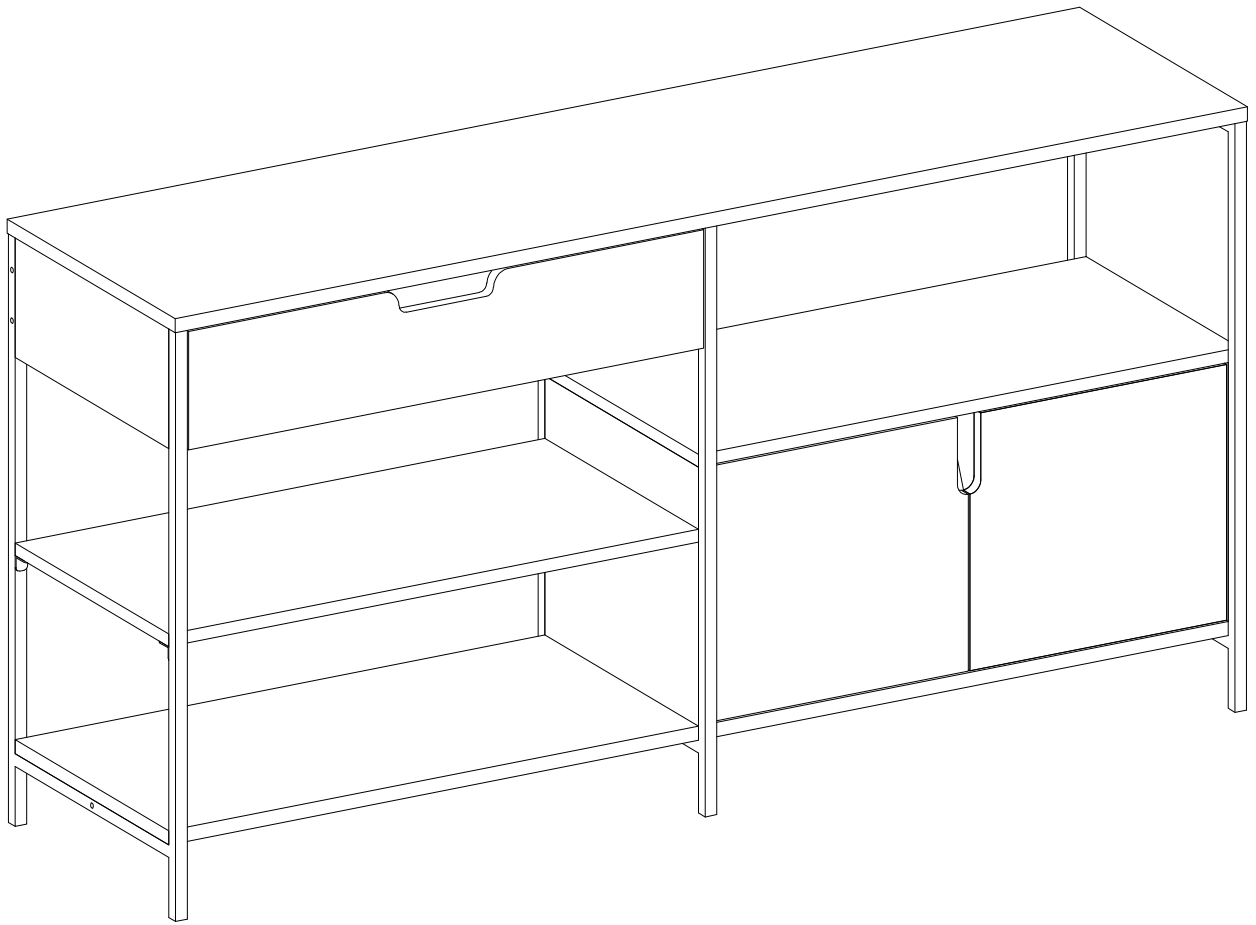


# Item # : BS58KEAST Assembly Instructions



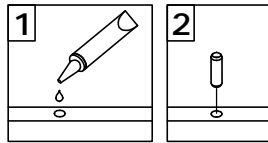
Walker Edison®

Please visit our website for the most current instructions, assembly tips, report damage, or request parts. [www.walkeredison.com](http://www.walkeredison.com)

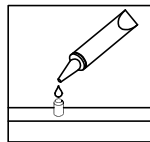
Revised 02/03/2020 (L)

# General Assembly Guidelines

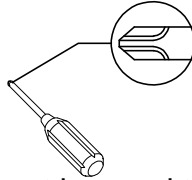
- I. Ensure that all parts and hardware are available before beginning assembly.
- II. Follow each step carefully to ensure the proper assembly of this product.
- III. Two people are recommended for ease in the assembly of this product.
- IV. The three main types of hardware used to assemble this product are: wood dowels, screws and bolts.
- V. The provided glue is to secure wood dowels in place. When first inserting dowels, locate the appropriate hole for the dowel, place a small amount of glue in the hole and insert the dowel. Wipe away excess glue immediately.



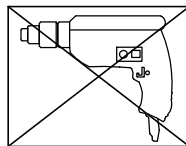
In future assembly steps when dowels are necessary to attach assembly parts together, place a small amount of glue on the end of the dowel before attaching parts together. Wipe away excess glue immediately.



- VI. A Phillips head screwdriver is required for the assembly of this product.

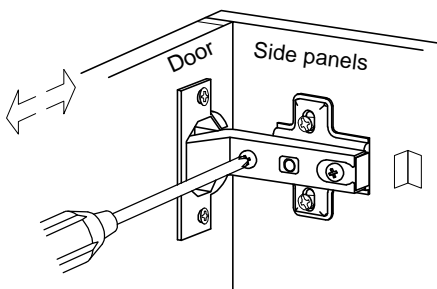


- VII. Power tools should not be used to assemble this product.

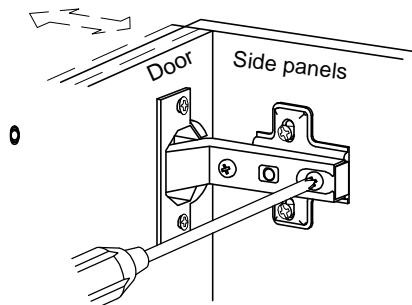


- VIII. Drill may be needed for securing product to wall.

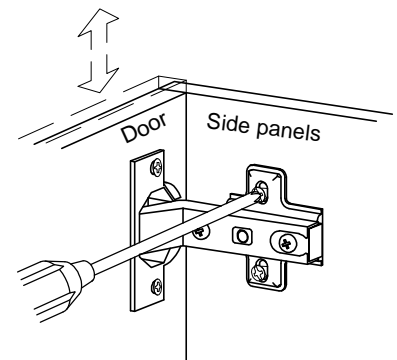
- IX. Concealed hinges are three-way adjustable.



Horizontal  
by screw adjustment

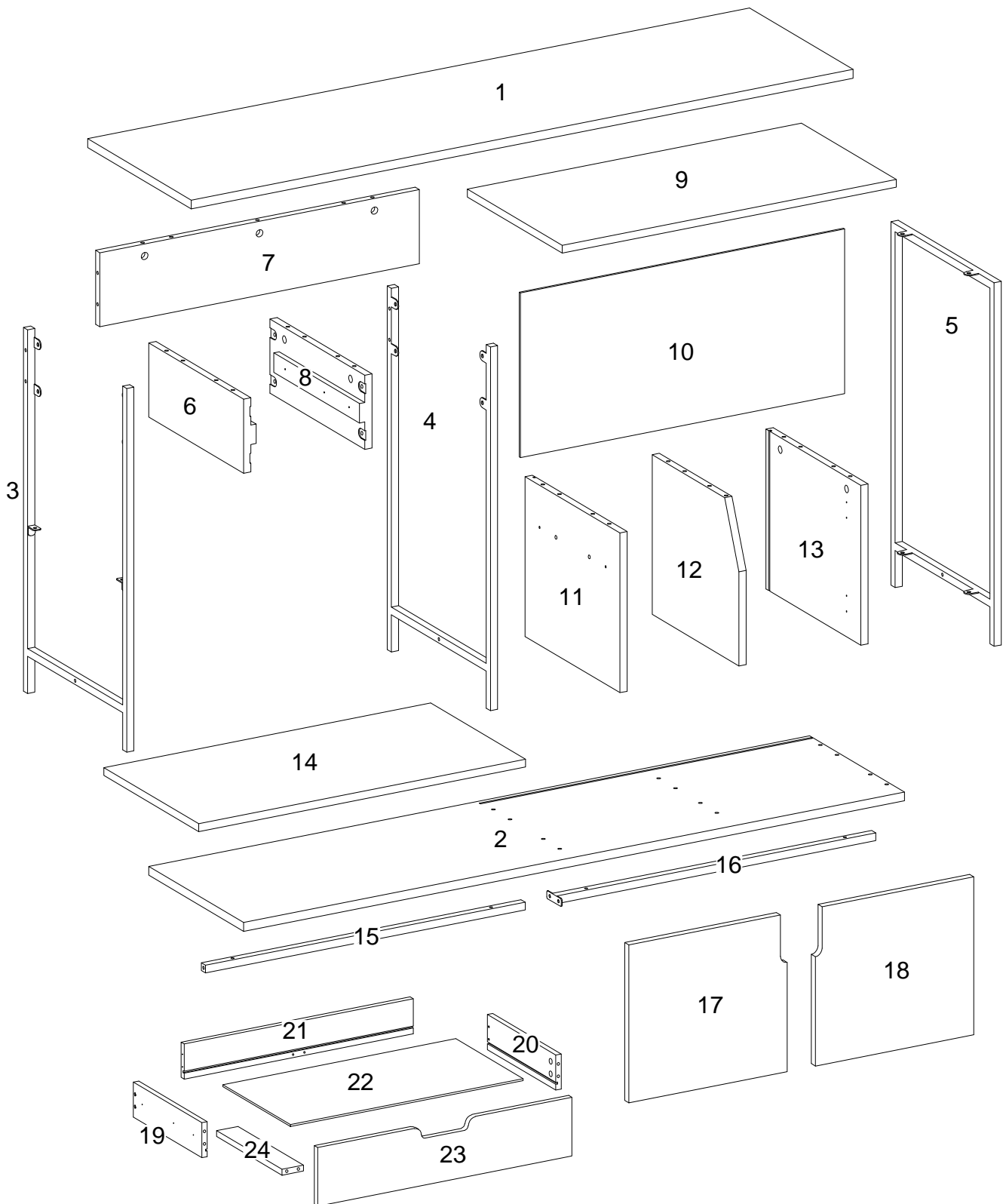


In-and-Out  
by loosening the hinge-arm  
mounting screw or via cam  
adjustment







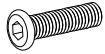
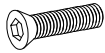


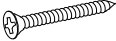

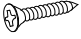



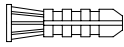


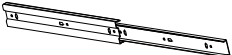


Vertical  
Via slots in the mounting  
plate or via cam adjustment

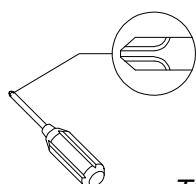
# Parts List



# Hardware List

A		Ø8x30mm	Wooden dowel	21 pcs
B		Ø6x35mm	Cam bolt	20 pcs
C		Ø15x11mm	Cam lock	20 pcs
D		Ø30mm	Sticker	16 pcs
E		Ø6x50mm	Screw	10 pcs
F		Ø1/4x12mm	Bolt	16 pcs
G		Ø1/4x25mm	Bolt	6 pcs
H		Ø1/4x25mm	Bolt	1 pc
J			Glue tube	1 pc
K		Ø4x12mm	Screw	17 pcs
L		Ø3.5x32mm	Screw	6 pcs
M			Plastic wedge	4 pcs
N		Ø3x17mm	Screw	4 pcs
P		4mm	Hex Key	1 pc
Q			Velcro strap	1 pc
R		Ø4x30mm	Screw	1 pc
S			Nut	1 pc
T		Ø3.5x12mm	Screw	12 pcs
U			Europe Hinge	4 pcs
V			Drawer slider	1

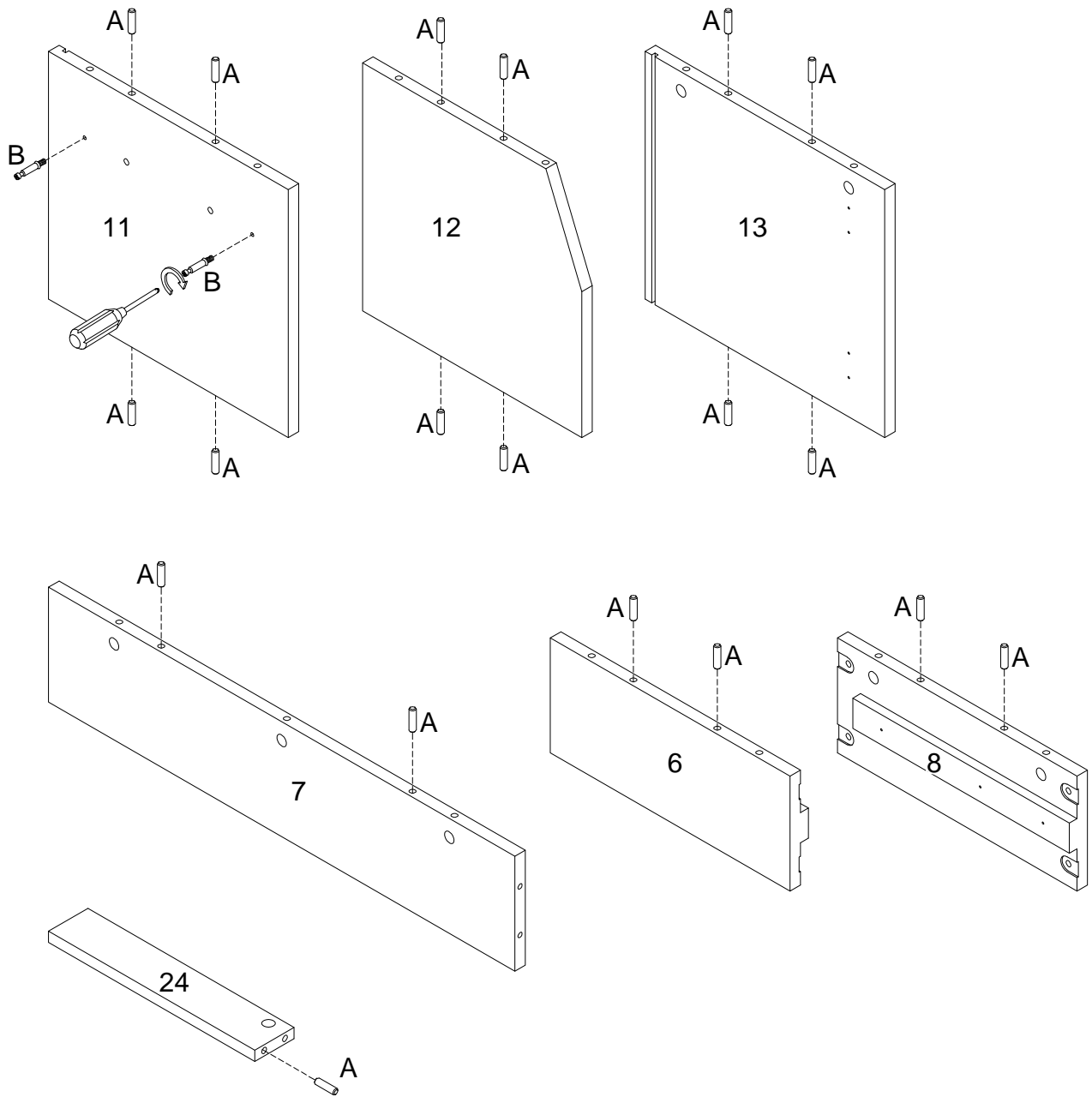
\* Note: This piece comes preassembled for shipping purposes and must be disassembled to complete the desk assembly.



Philips head screwdriver required for assembly  
(not included)

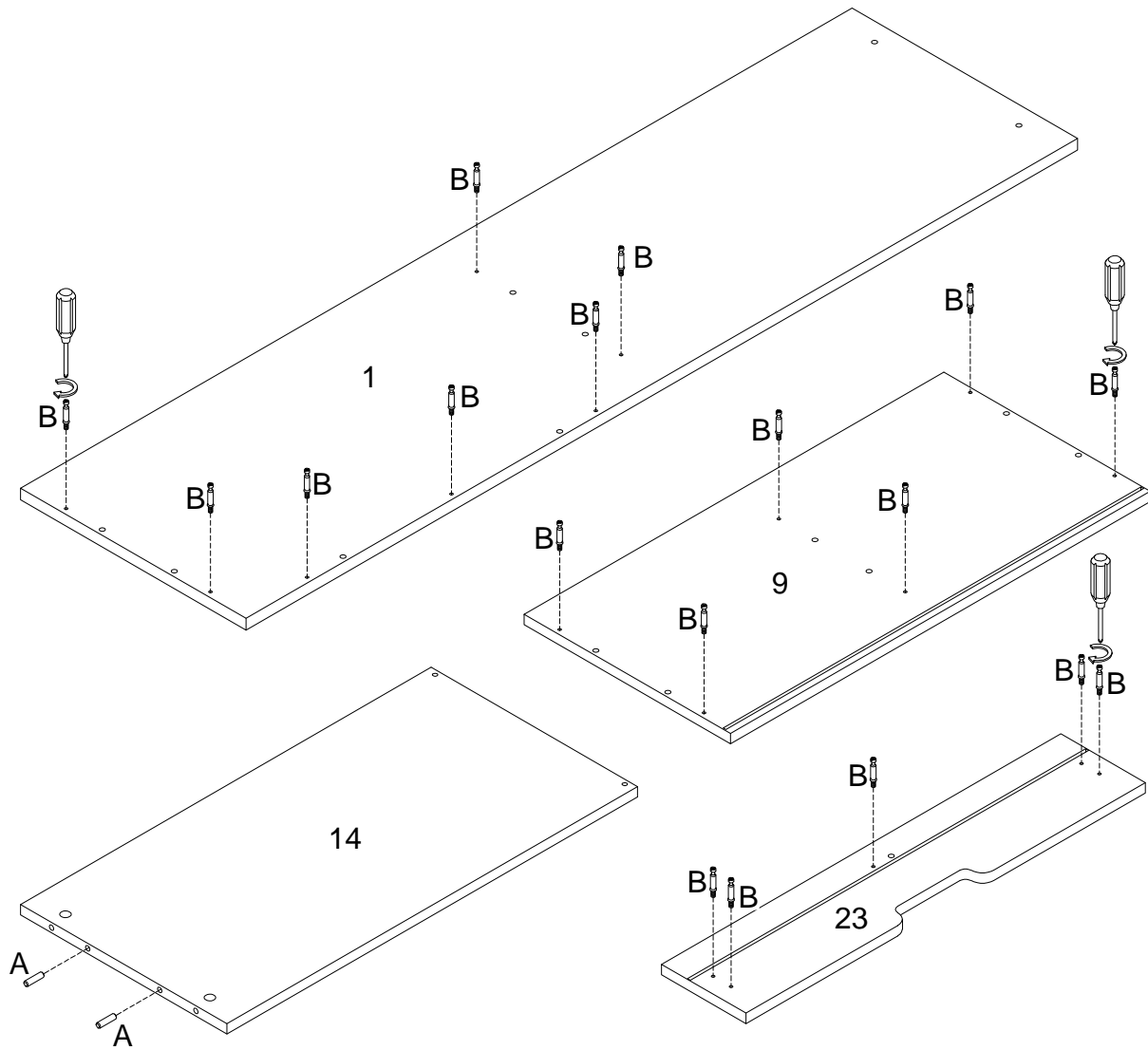
*The hardware quantities listed above are required for proper assembly.  
Some extra hardware may also have been included.*

# Step 1



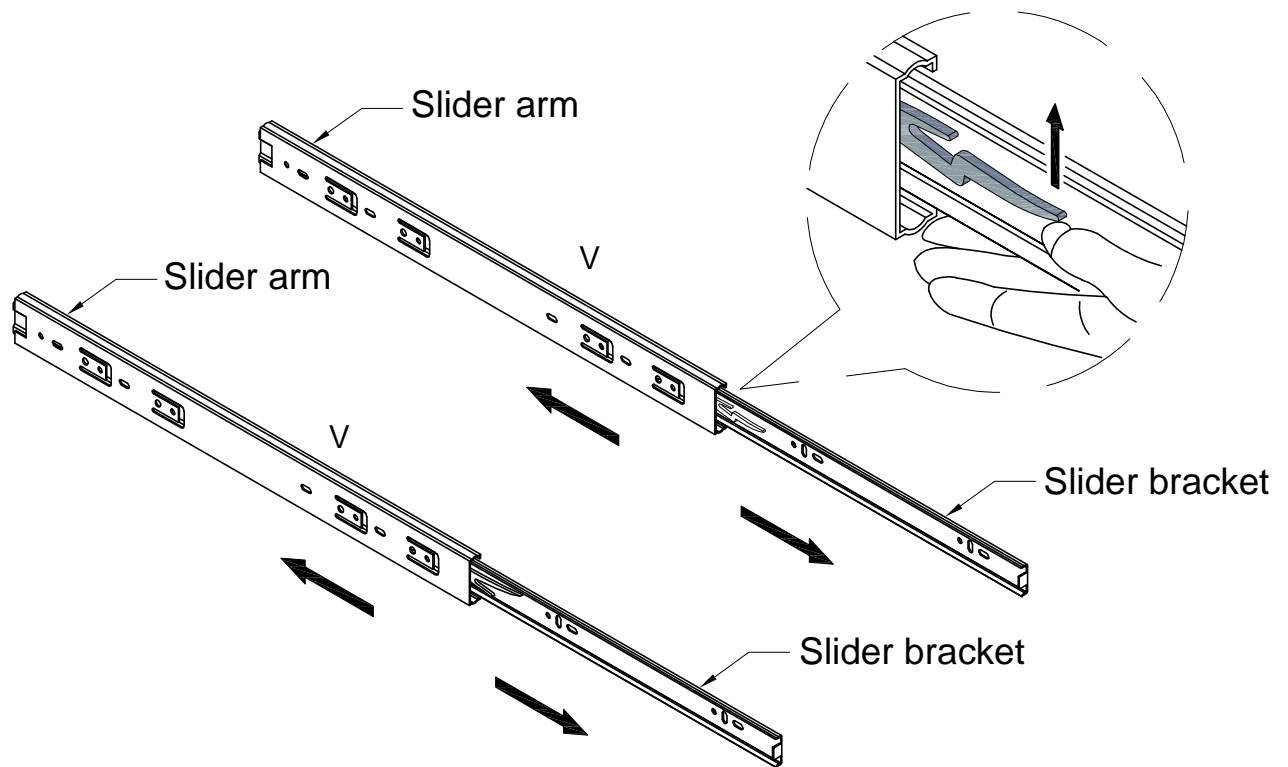
Insert wooden dowel (A) into parts (6,7,8,11,12,13,24) ,then using cam bolt (B) secure part (11) with Philips head screwdriver as per diagram.

# Step 2



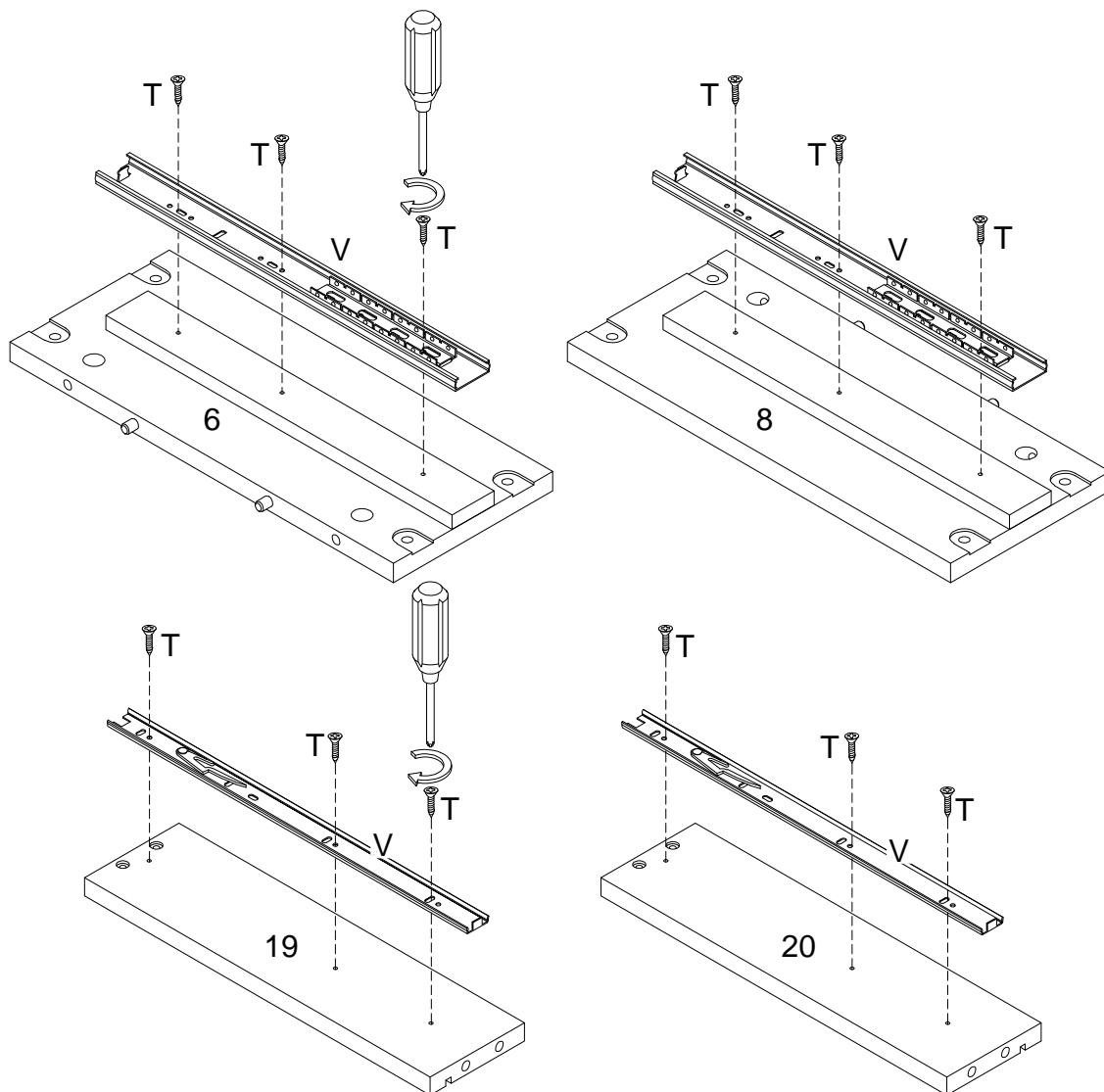
Insert wooden dowel (A) into part (14) ,then using cam bolt (B) secure parts (1,9,23) with Philips head screwdriver as per diagram.

# Step 3



Pick up the slider arm (V) and separate the slide Runner for the following Steps. Extend the Slide Runner all the way forward, press the plastic release lever of the slider arm up and pull the Slide Runner Complete out .

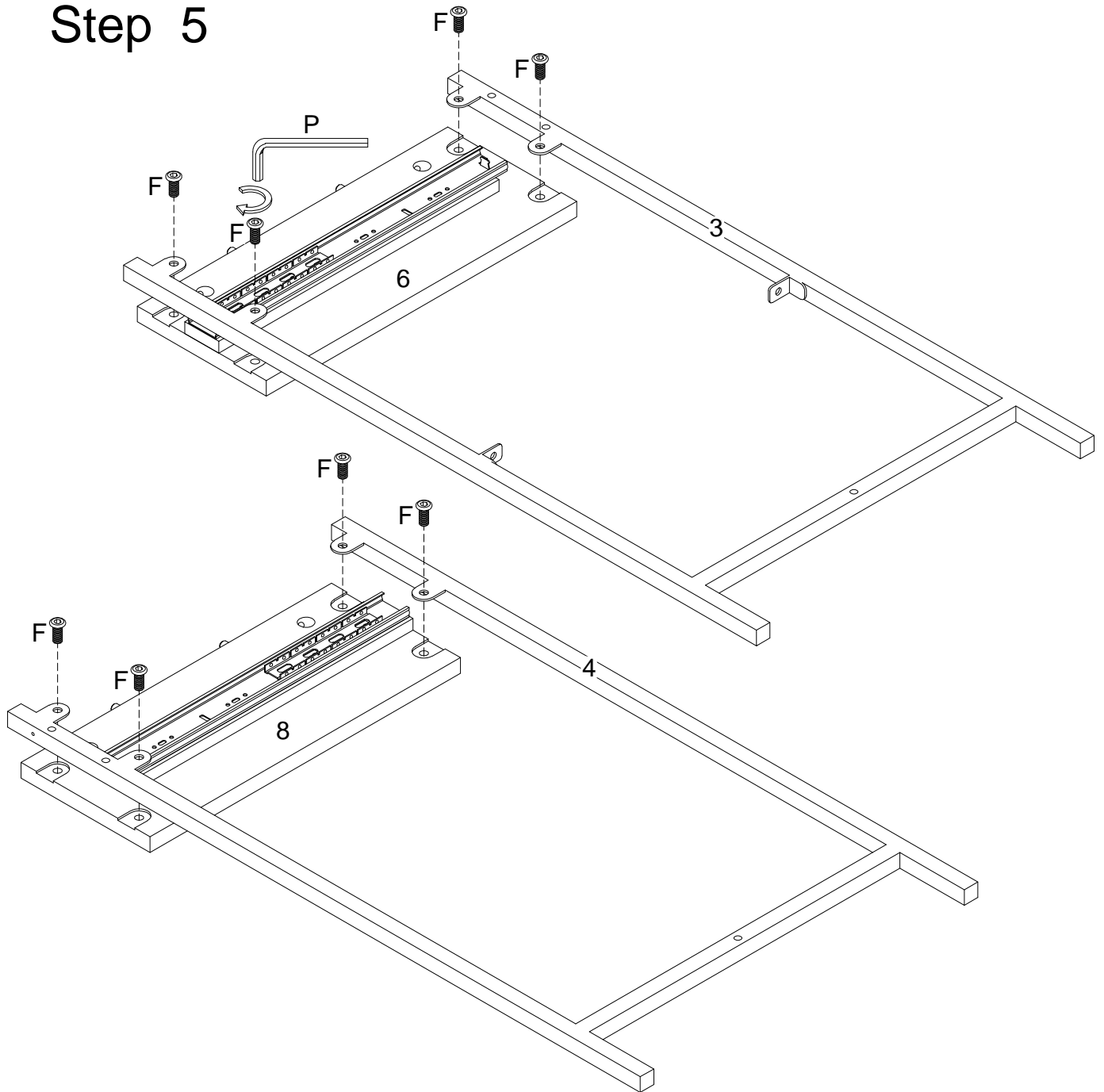
# Step 4



Using screw (T) attach slider (V) to parts (6,,8,19,20) with Philips head screwdriver as per diagram.

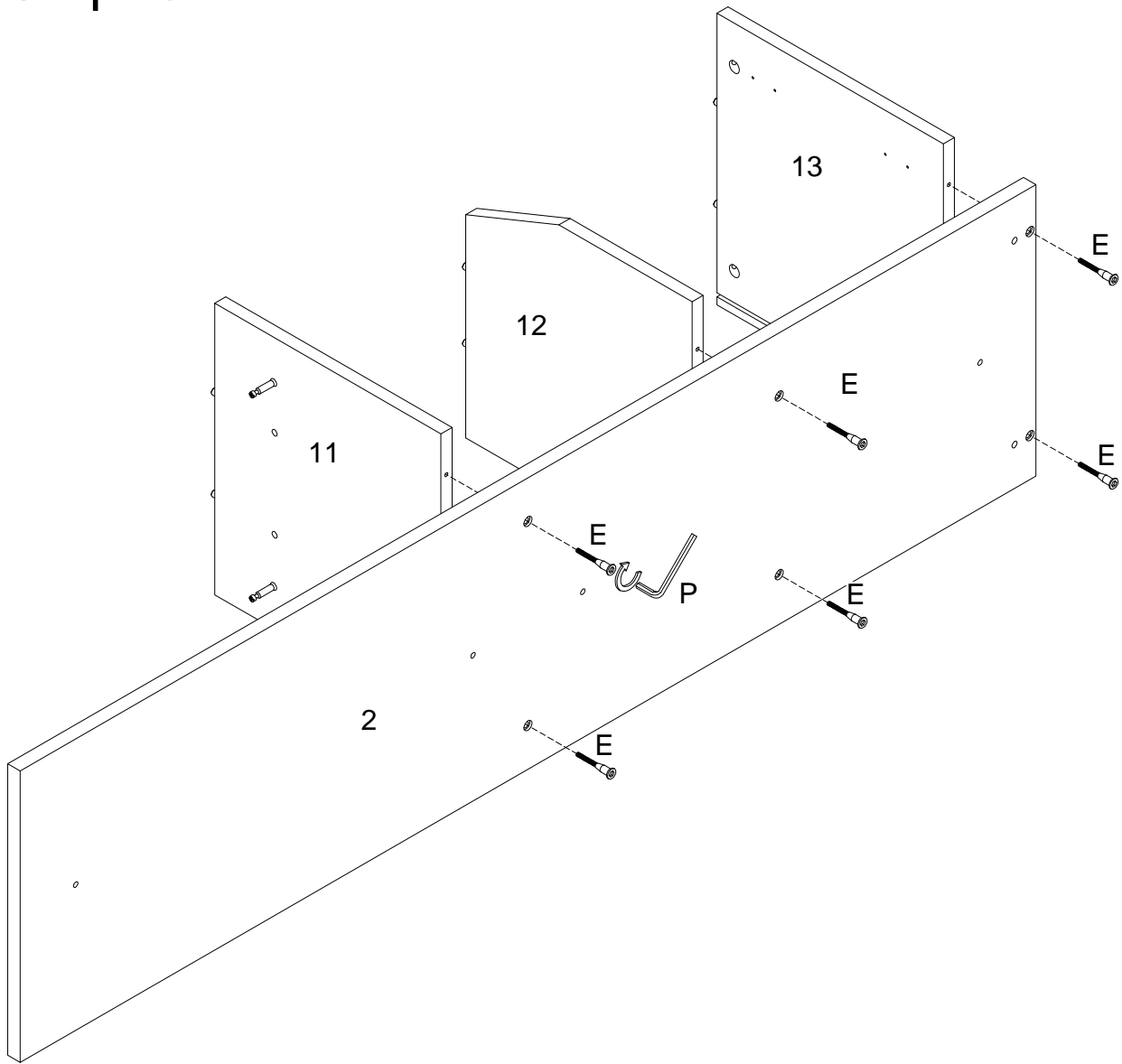


# Step 5



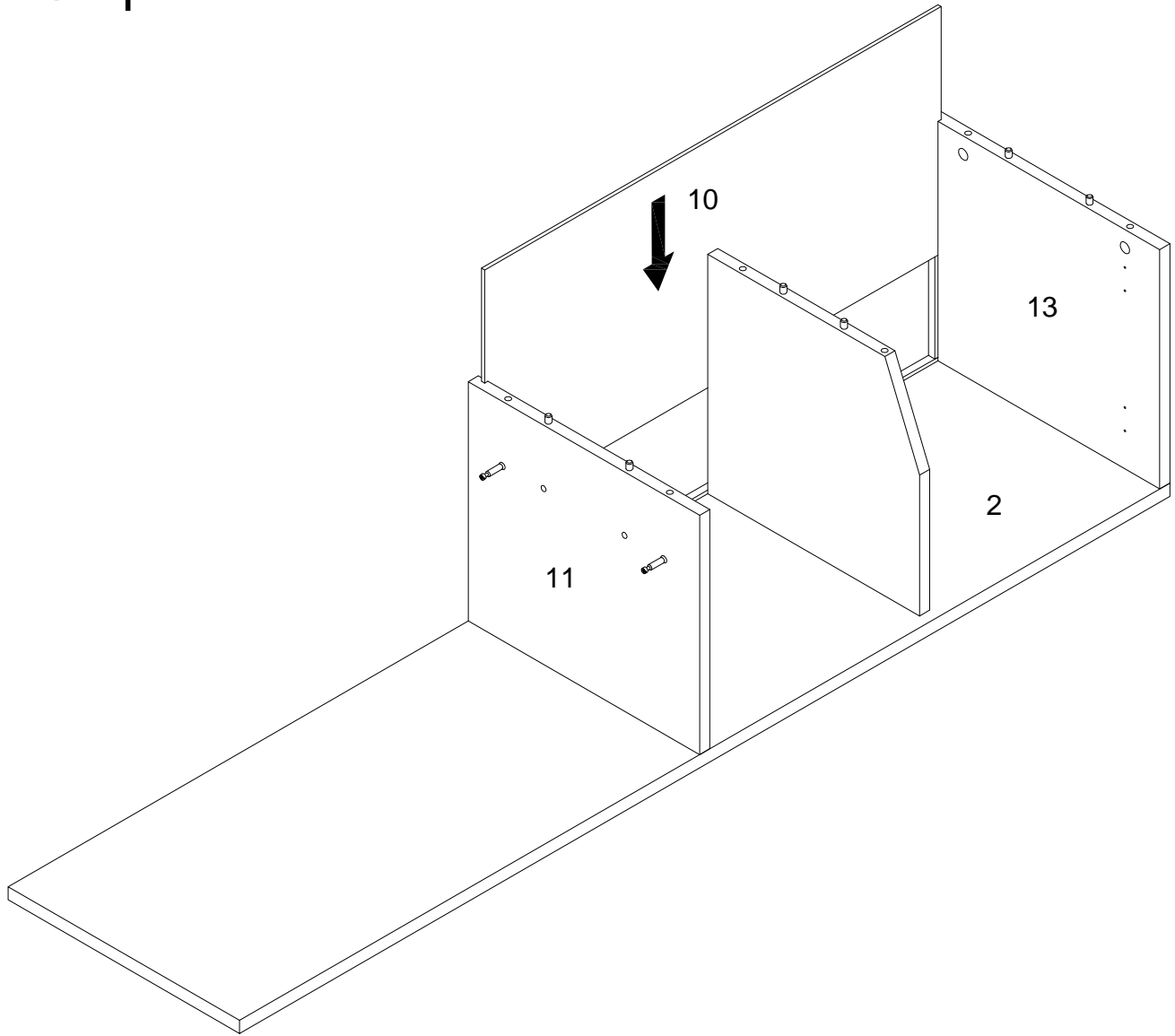
Using bolt (F) attach part (3) to part (6) ,part (4) to part (8) with hex key (P) as per diagram.

# Step 6



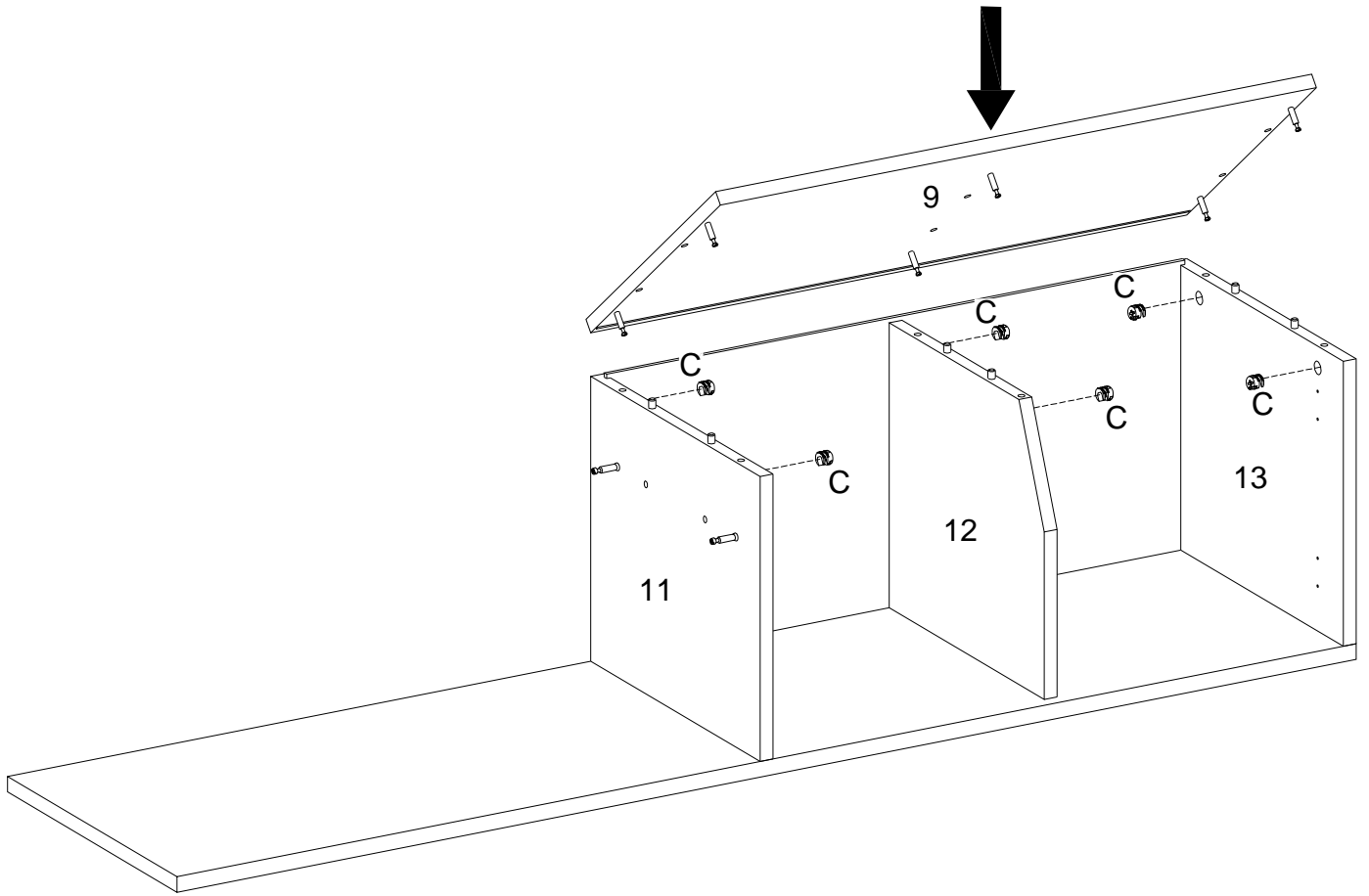
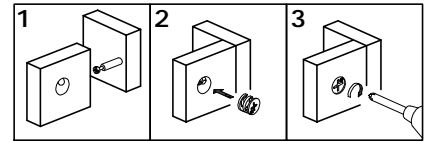
Using screw (E) attach part (2) to parts (11,12,13) with hex key (P) as per diagram.

# Step 7



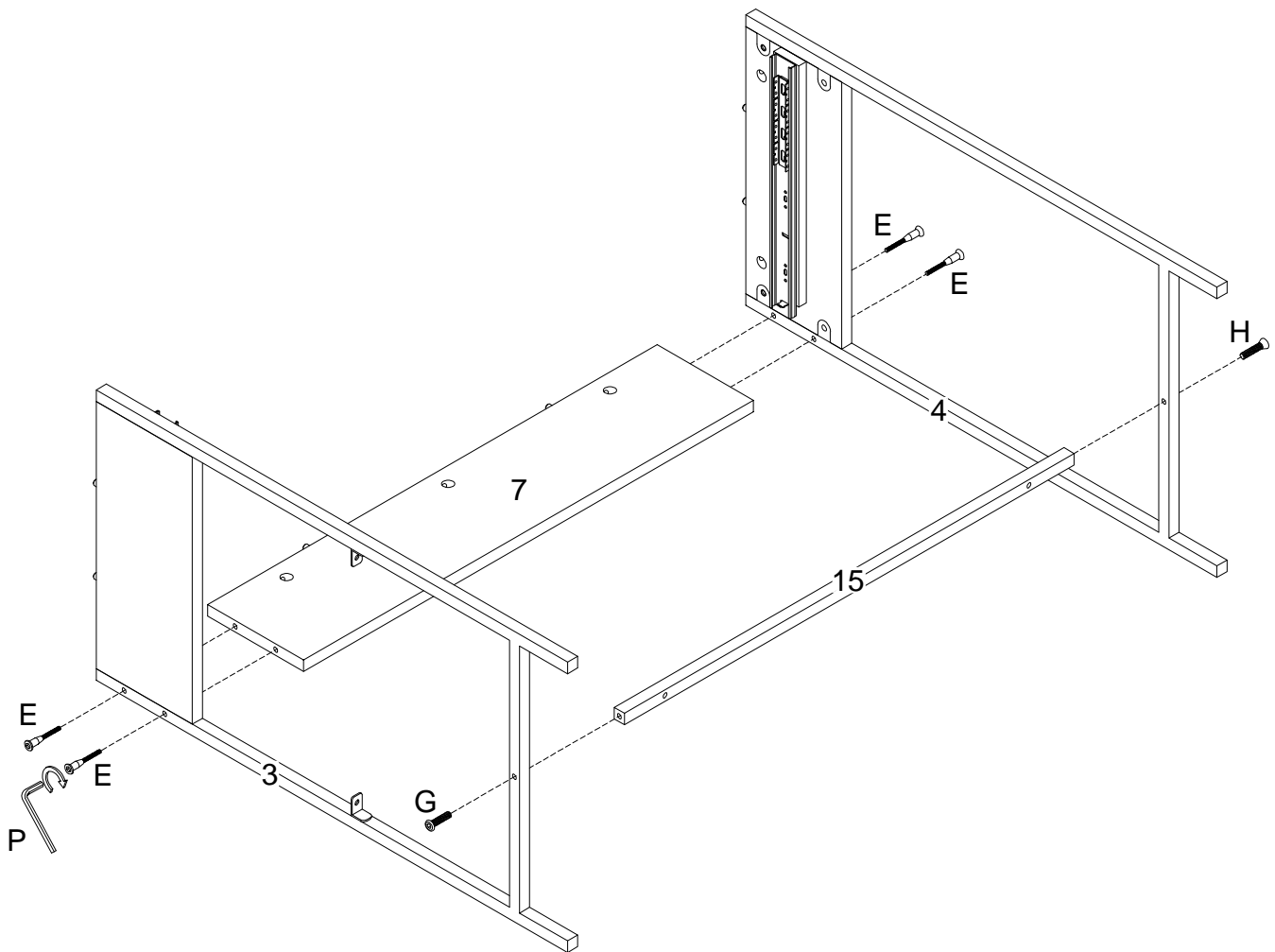
Put part (10) as per diagram.

# Step 8



Using cam lock (C) secure part (9) into parts (11,12,13) with Philips head screwdriver as per diagram.

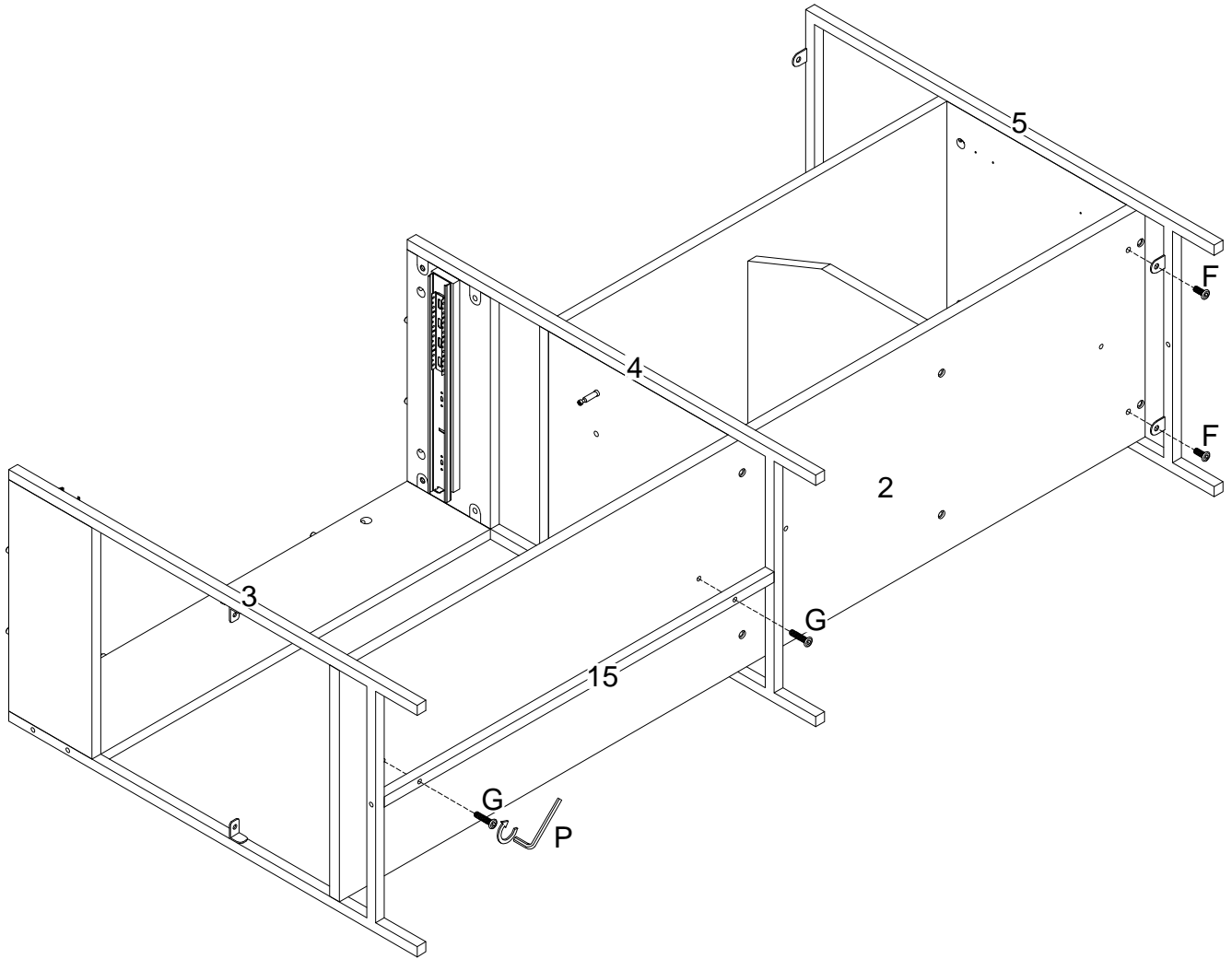
# Step 9



Using bolt (E) attach parts (3,4) to part (7) ,bolts (G,H) attach parts (3,4) to part (15) with hex key (P) as per diagram.

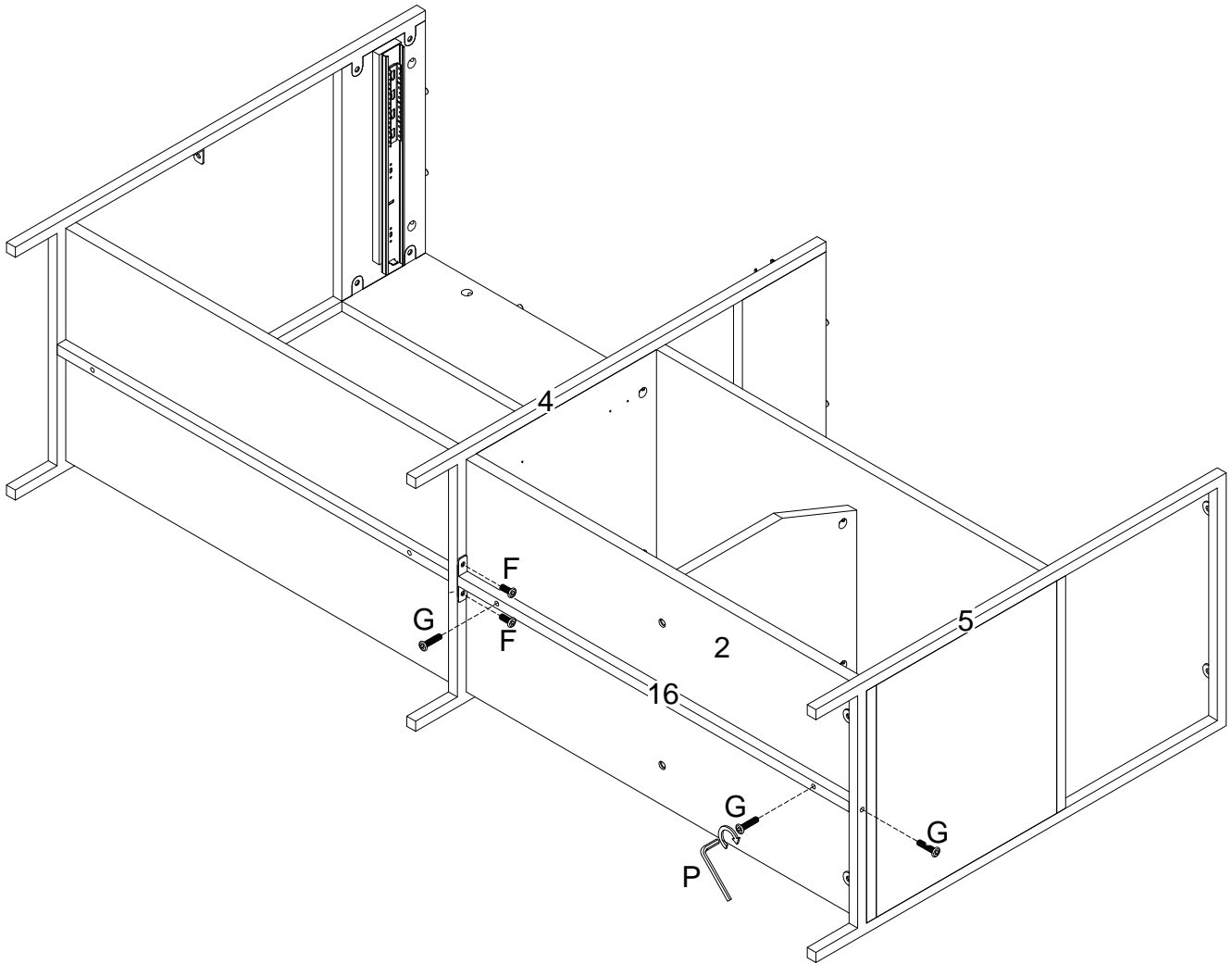
Note: Do not fully tighten all bolts until you finish assembling all parts, once assembled, go back and fully tighten all bolts.

# Step 10



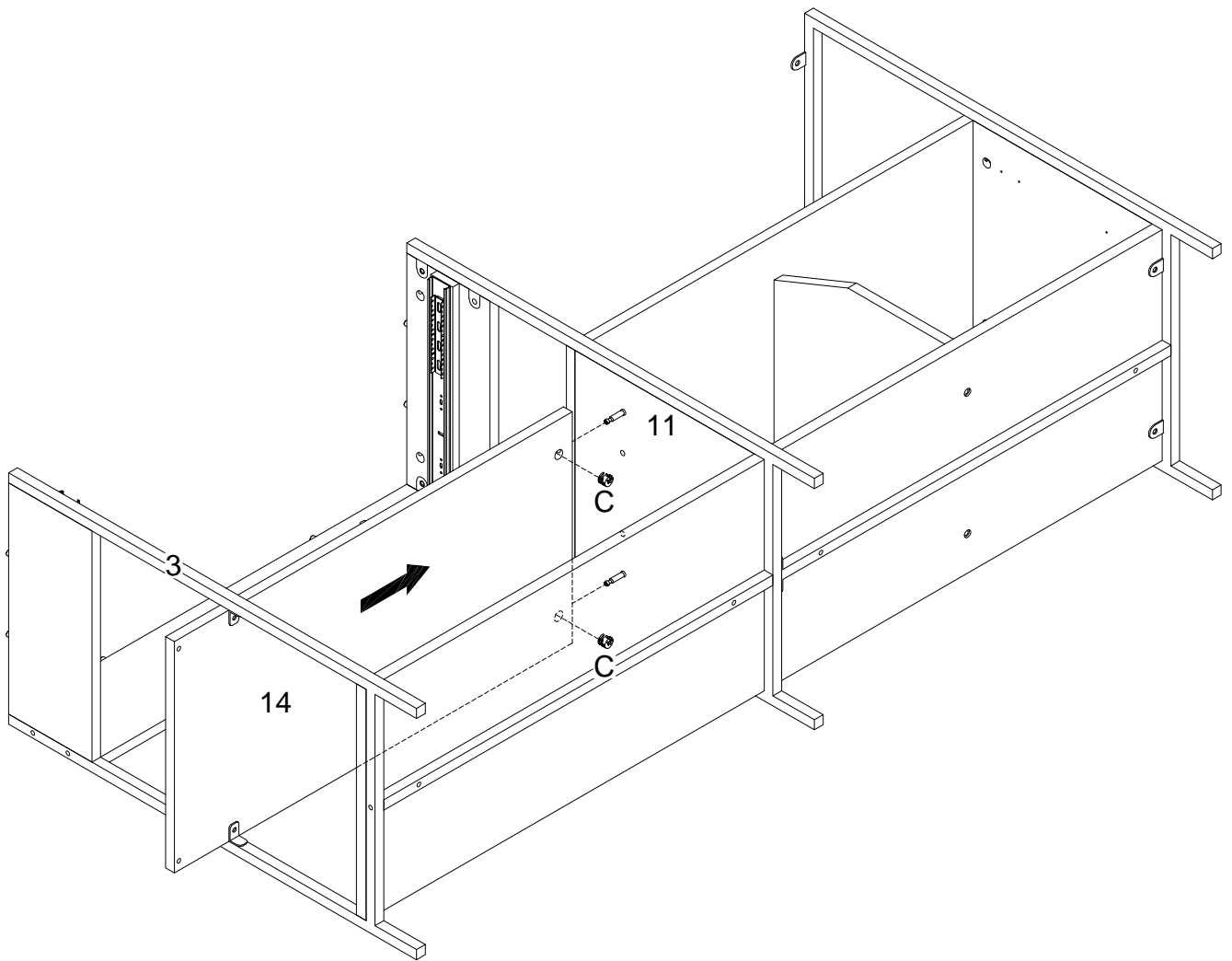
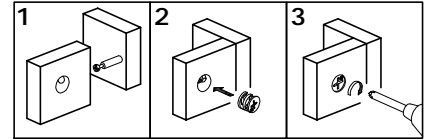
Using bolt (G) attach part (15) to part (2) ,bolts (F) attach part (5) to part (2) with hex key (P) as per diagram.

# Step 11



Using bolt (F) attach part (16) to part (4) ,bolts (G) attach part (16) to parts (2,5) with hex key (P) as per diagram.

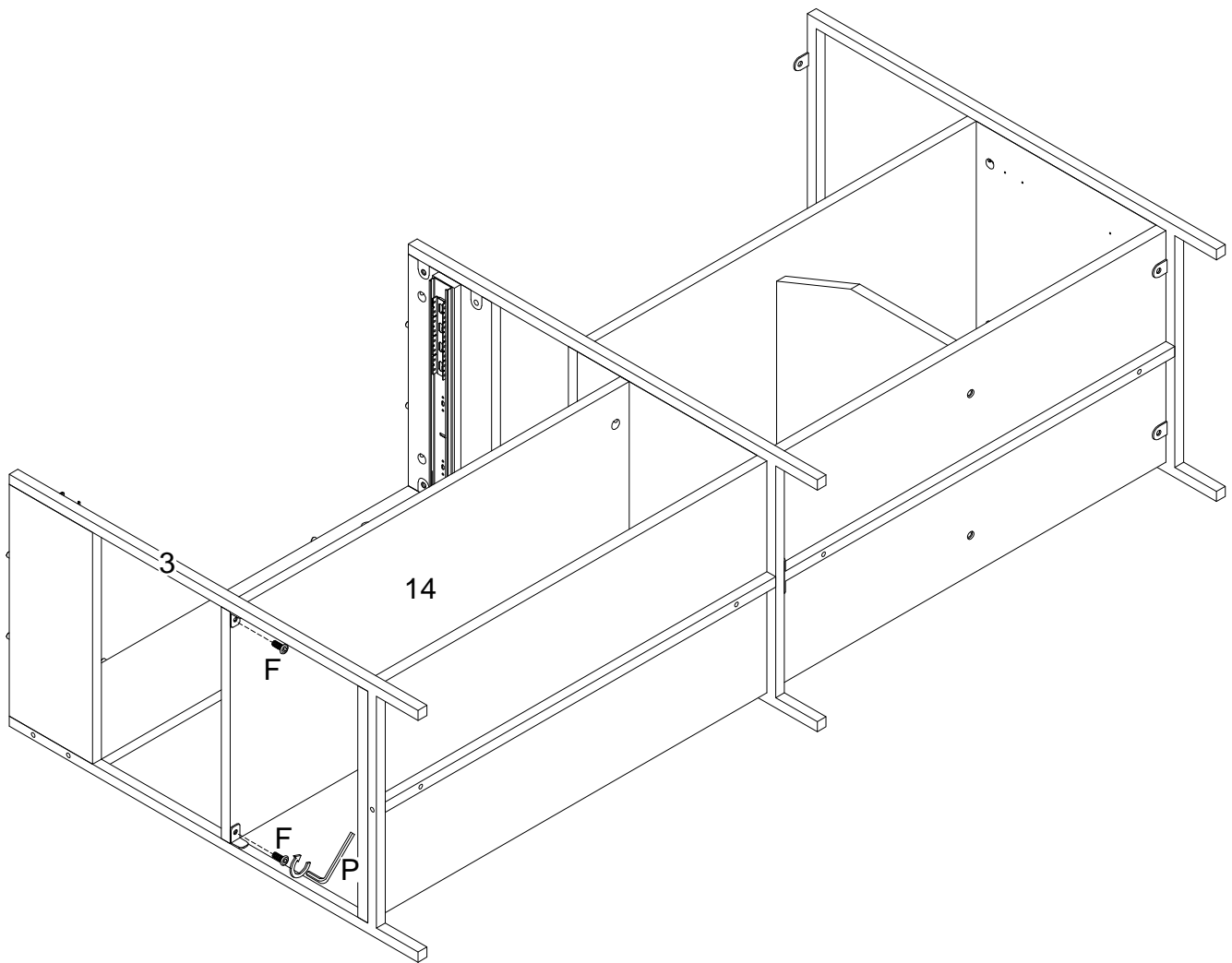
# Step 12



Using cam lock(C) secure part (14) to part (11) with Philips head screwdriver as per diagram.

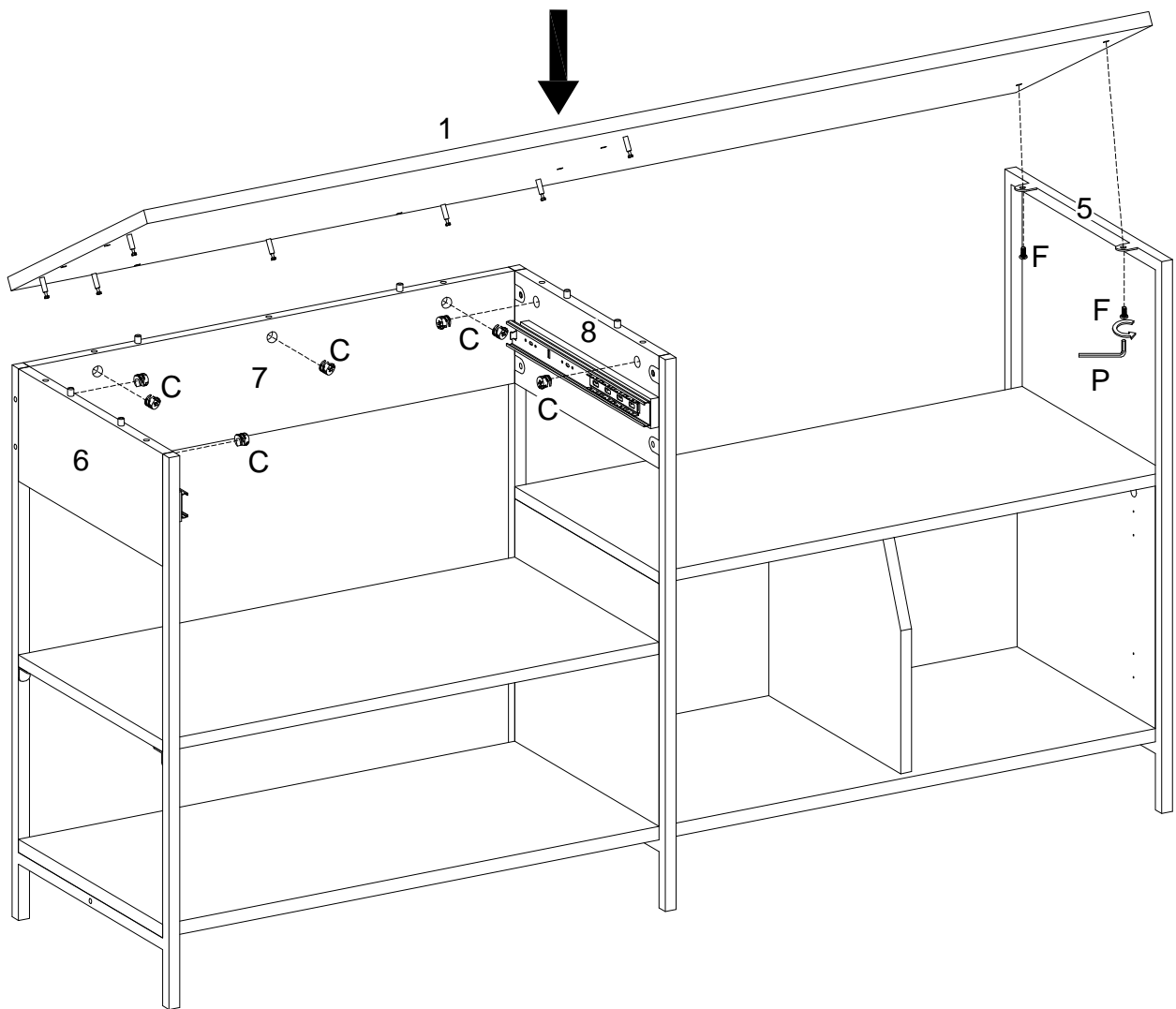
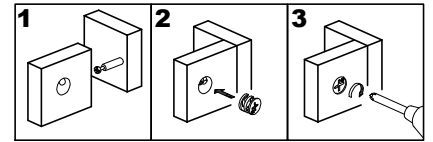


# Step 13



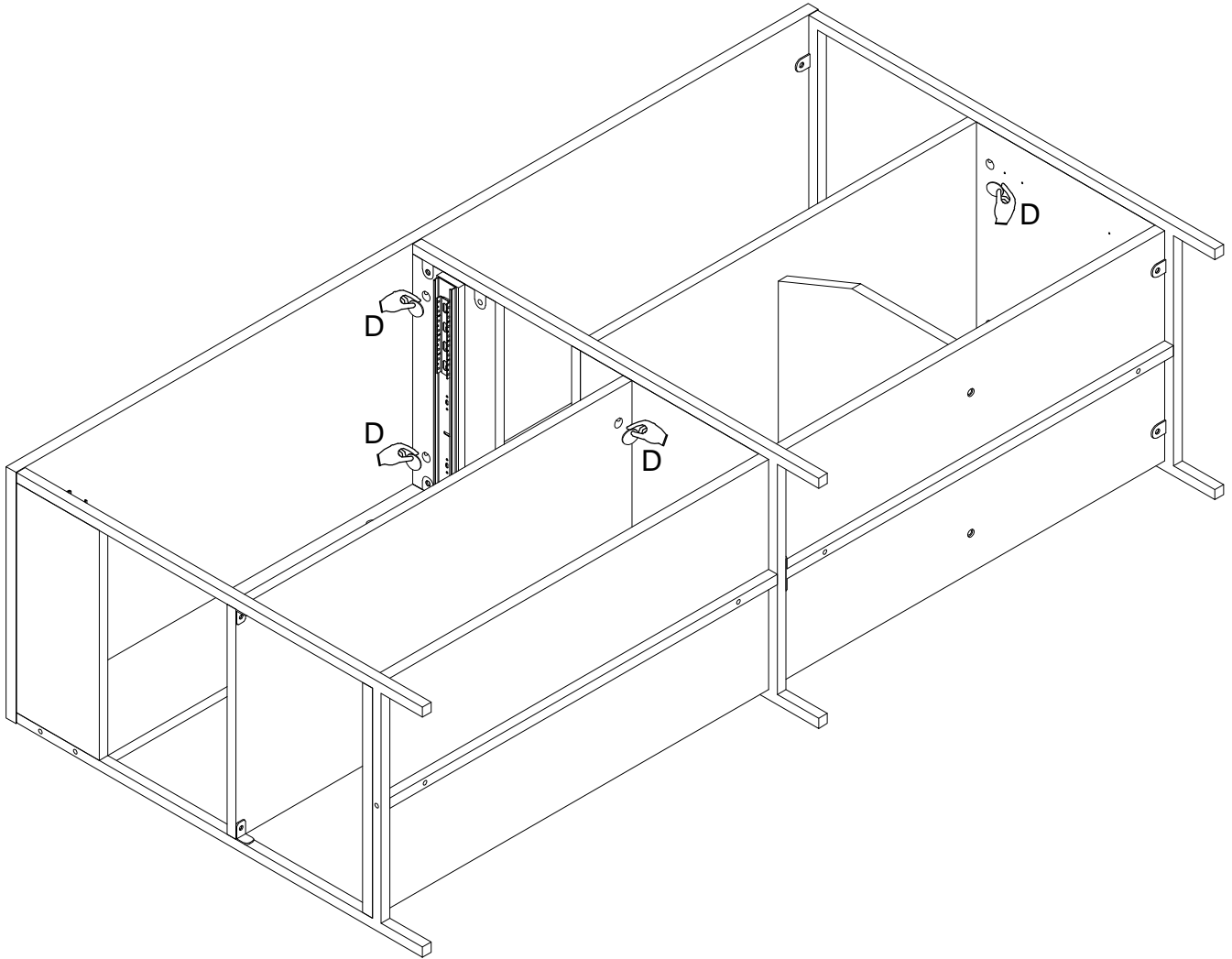
Using bolt (F) attach part (3) to part (14) with hex key (P) as per diagram.

# Step 14



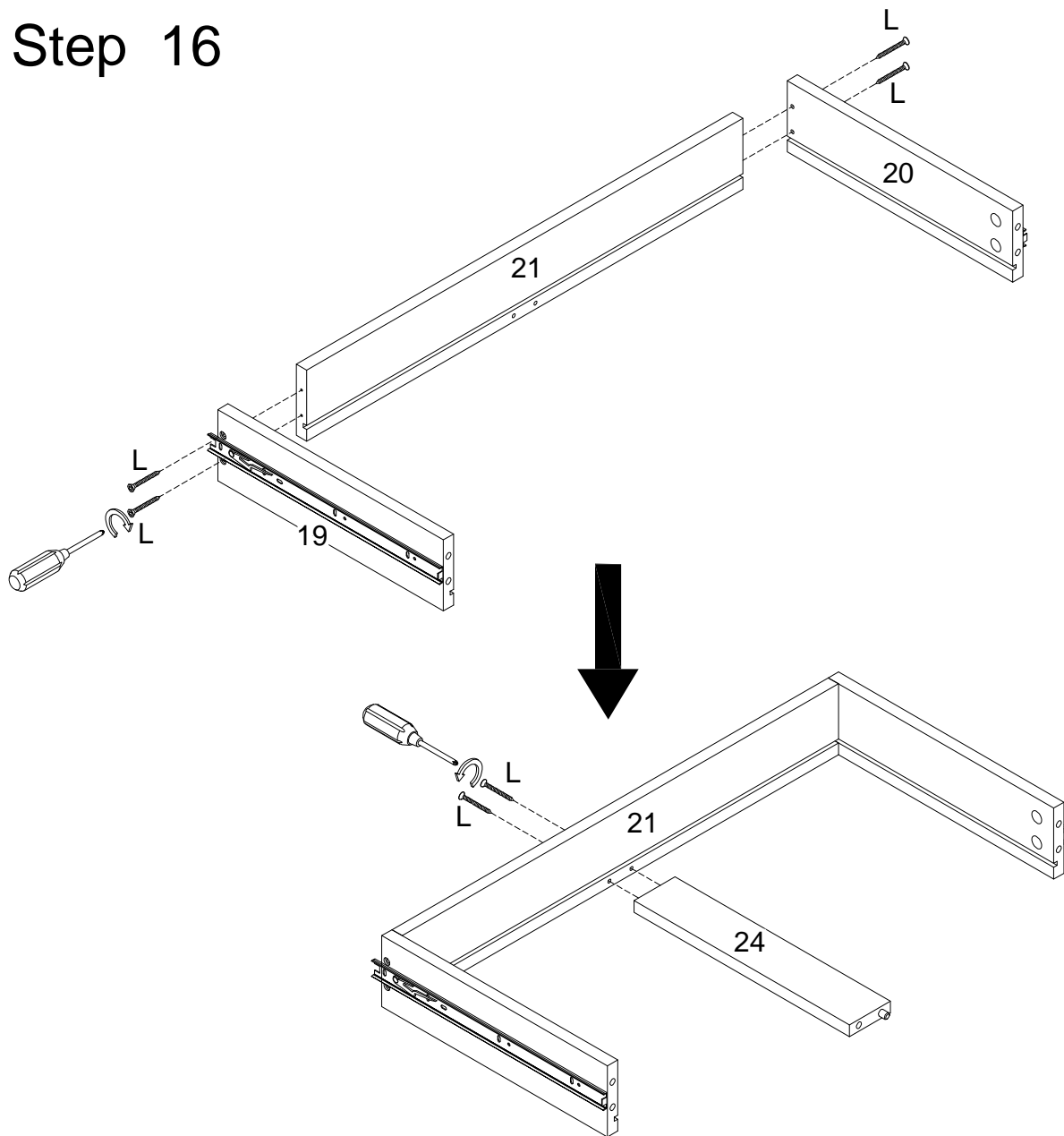
Using cam lock (C) secure part (1) into parts (6,7,8) with Philips head screwdriver ,then using bolt (F) attach part (5) to part (1) with Hex key (P) as per diagram.

# Step 15



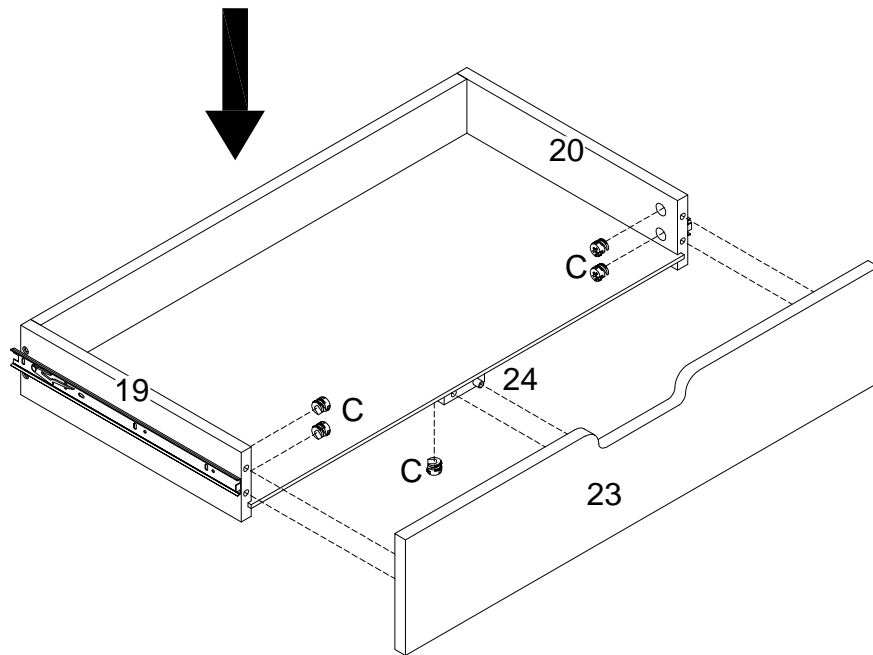
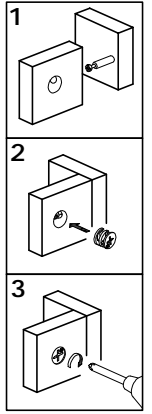
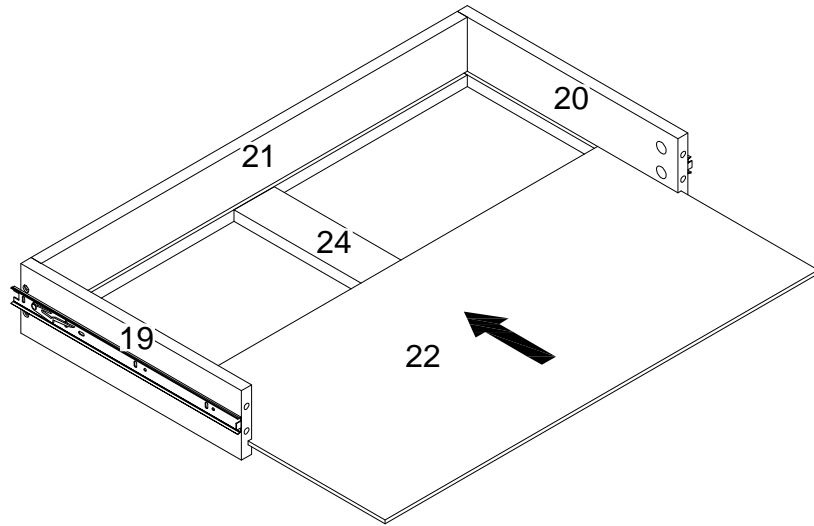
Place sticker (D) cover the holes as per diagram .

# Step 16



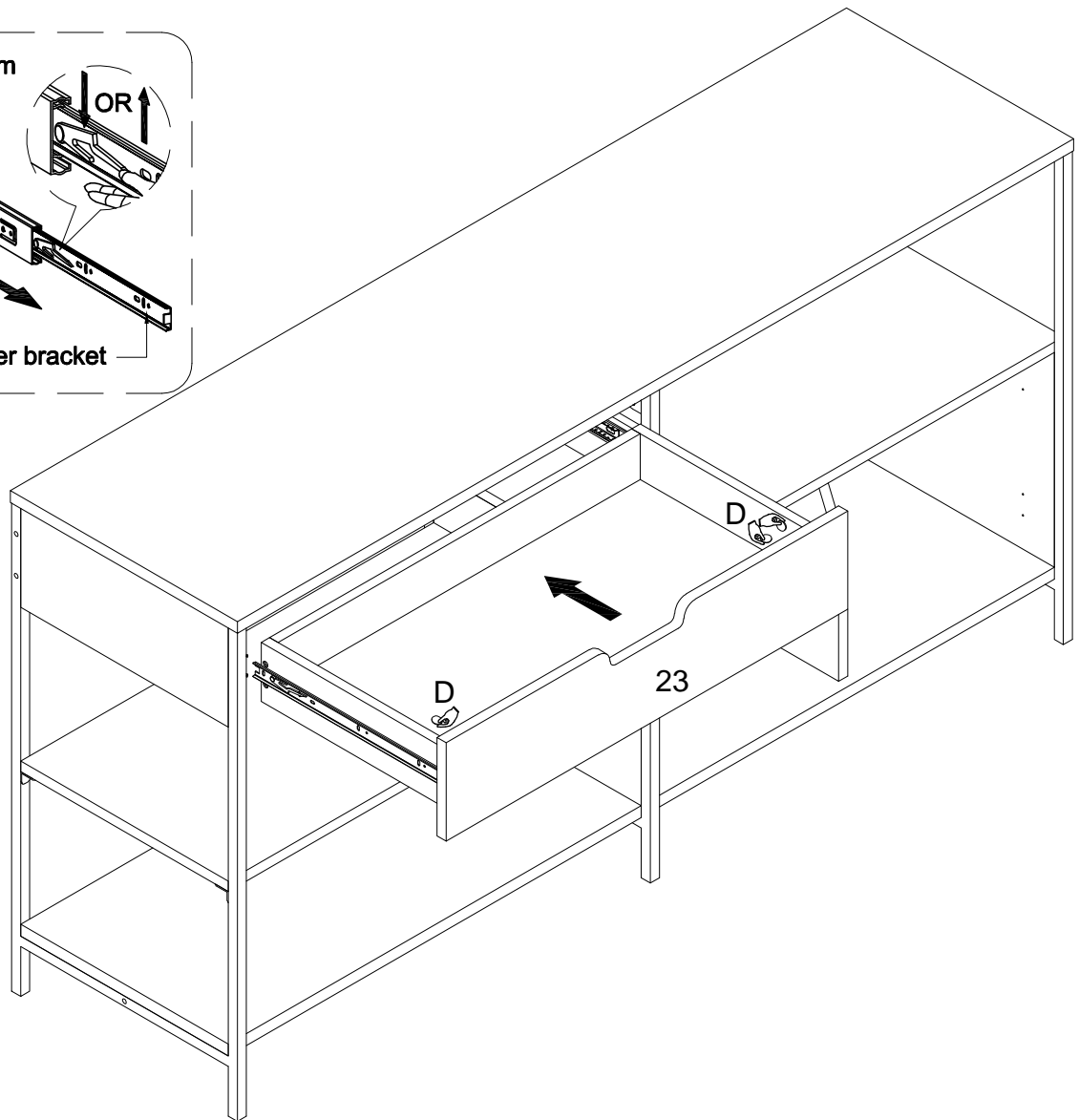
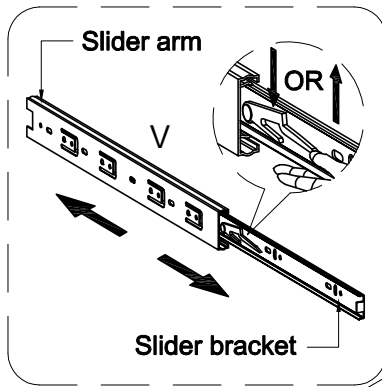
Using screw (L) attach parts (19,20) to part (21) ,part (21) to part (24) with Philips head screwdriver as per diagram.

# Step 17



Put part (22) as per diagram. Then using cam lock (C) secure part (23) to parts (19,20,24) with Philips head screwdriver as per diagram.

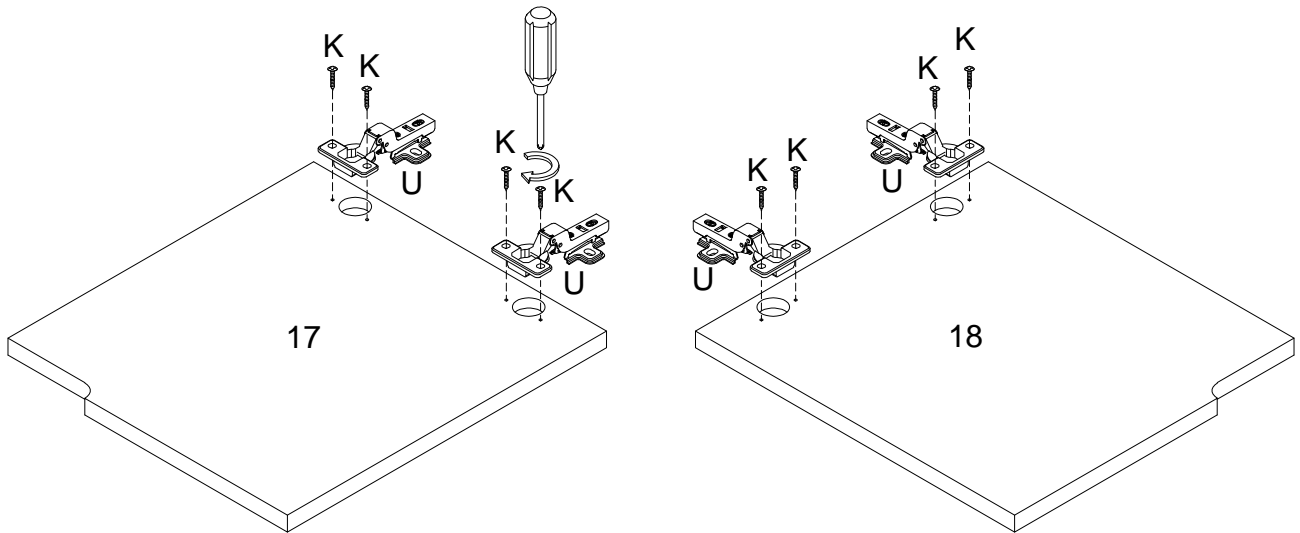
# Step 18



Place sticker (D) as per diagram.

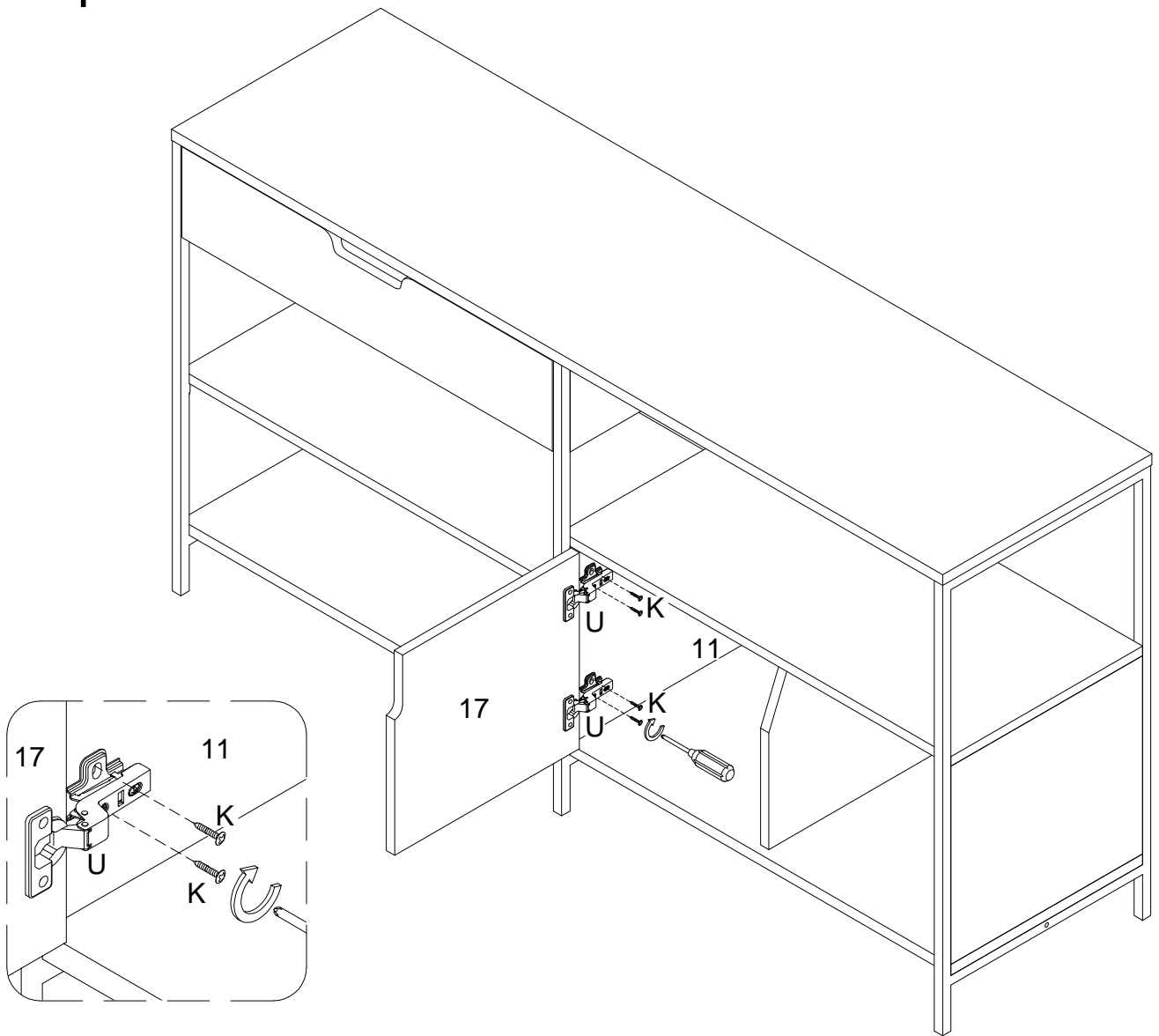
Insert the assembled drawer into the unit frame, extend the Ball Bearing Slide Tracks (V) on the pedestal Side Panel all the way forward. Then align the Slide Runners on the assembled drawers with the Slide Tracks and push the drawer carefully inside until it stops. Note : if the drawer does not go in smoothly, please take it out and repeat the step. If you need to remove the drawer, please pull the drawer all the way out, press or lift the plastic release lever and pull out the drawer and then re-assembled the drawer until it was going in smoothly .

# Step 19



Using screw (K) attach Europe hinge (U) into parts (17,18) with Philips head screwdriver as per diagram.

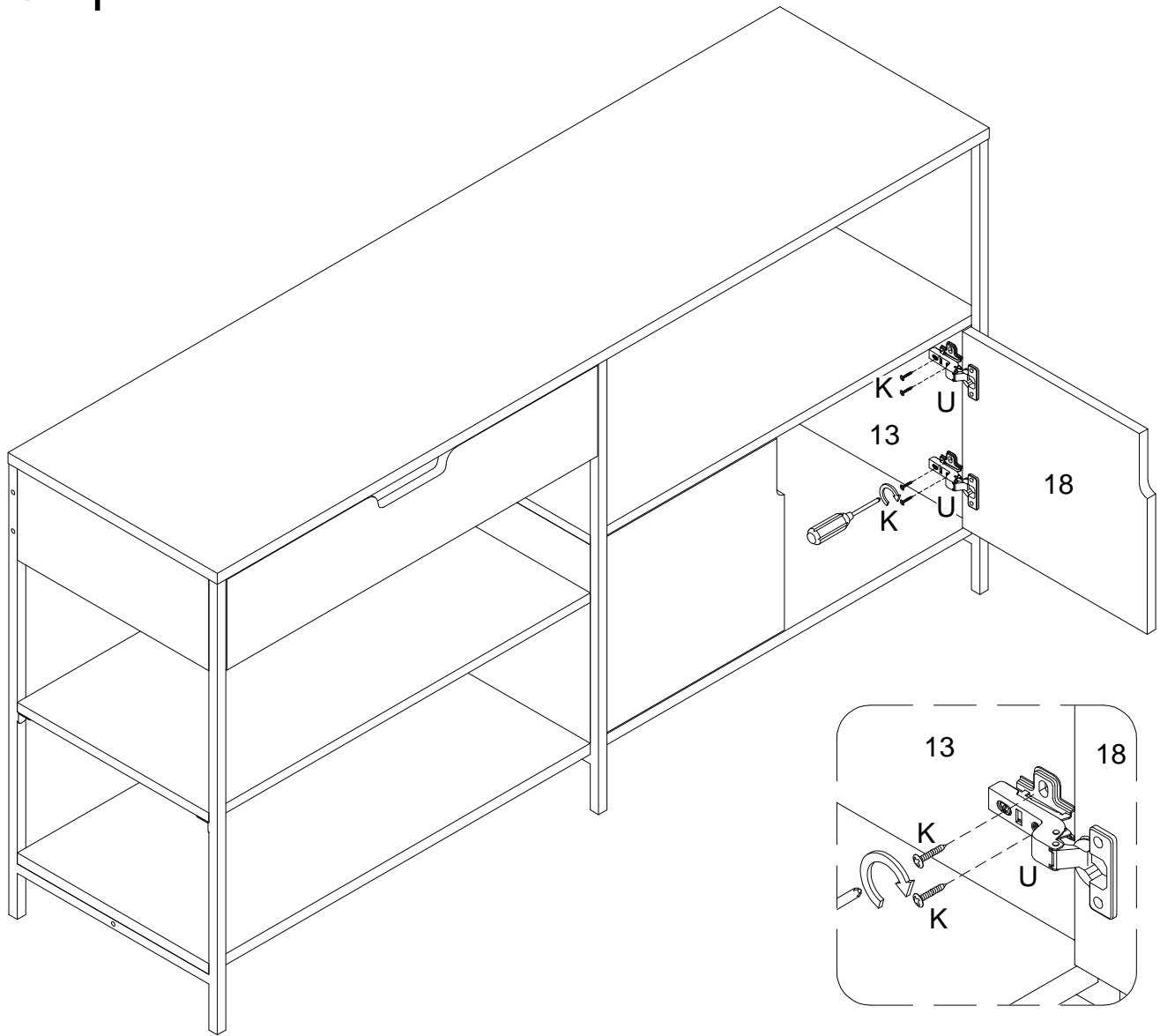
# Step 20



Using screw (K) attach Europe hinge (U) into part (11) with Philips head screwdriver as per diagram.

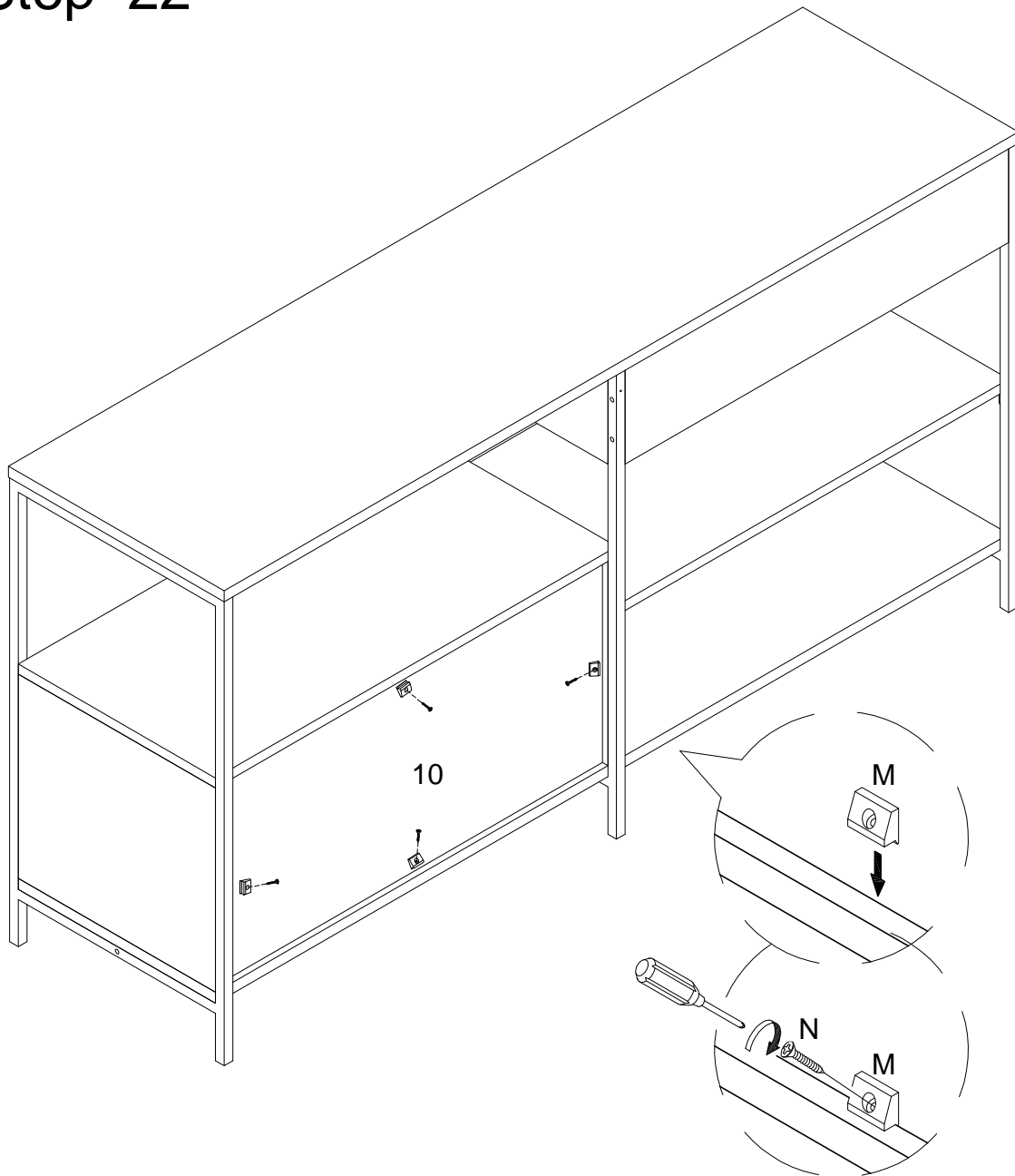


# Step 21



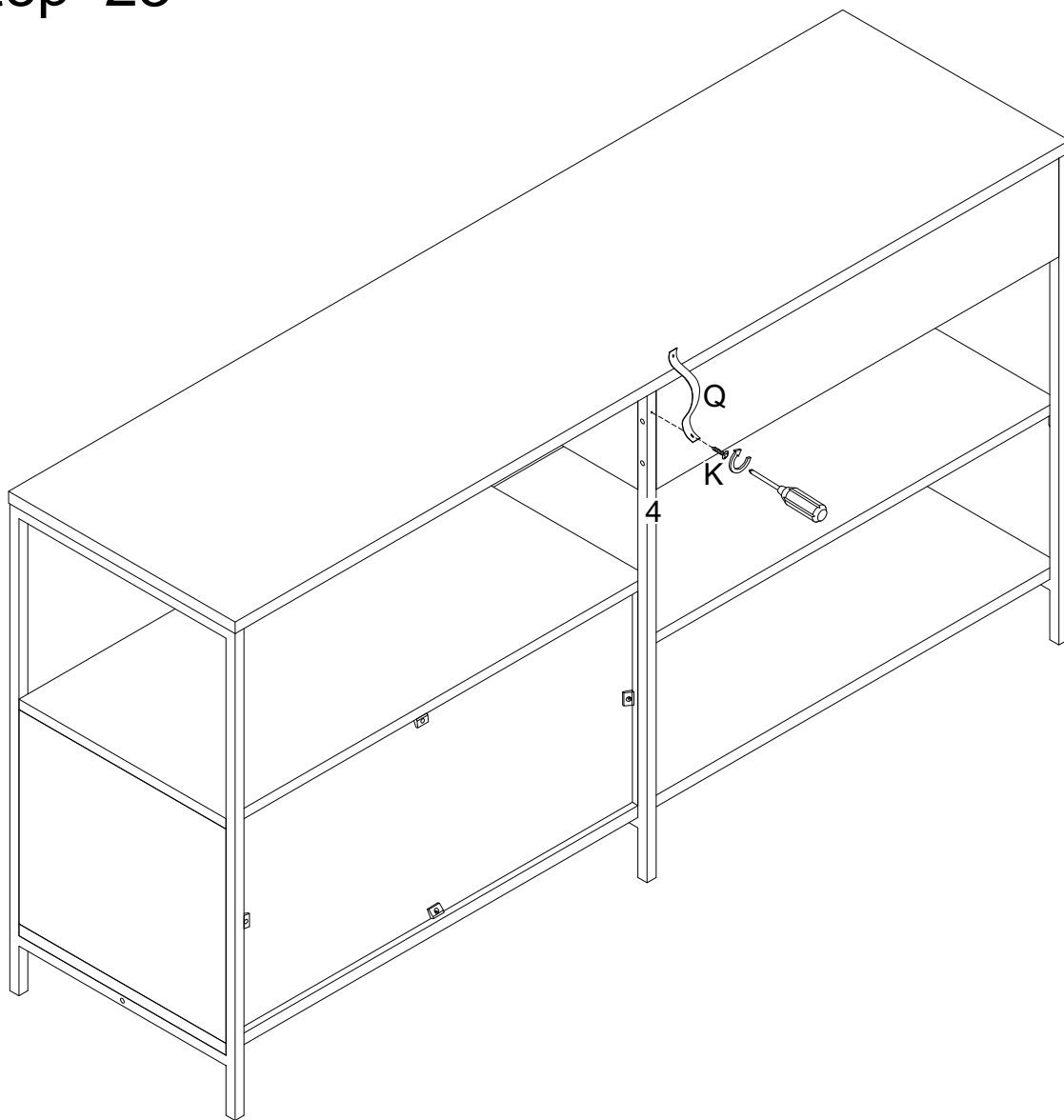
Using screw (K) attach Europe hinge (U) into part (13) with Philips head screwdriver as per diagram.

# Step 22



Using screw (N) secure plastic wedge (M) with Philips head screwdriver as per diagram.

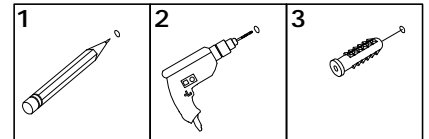
# Step 23



Using screw (K) attach Velcro strap (Q) into part (4) with Philips head screwdriver as per diagram.

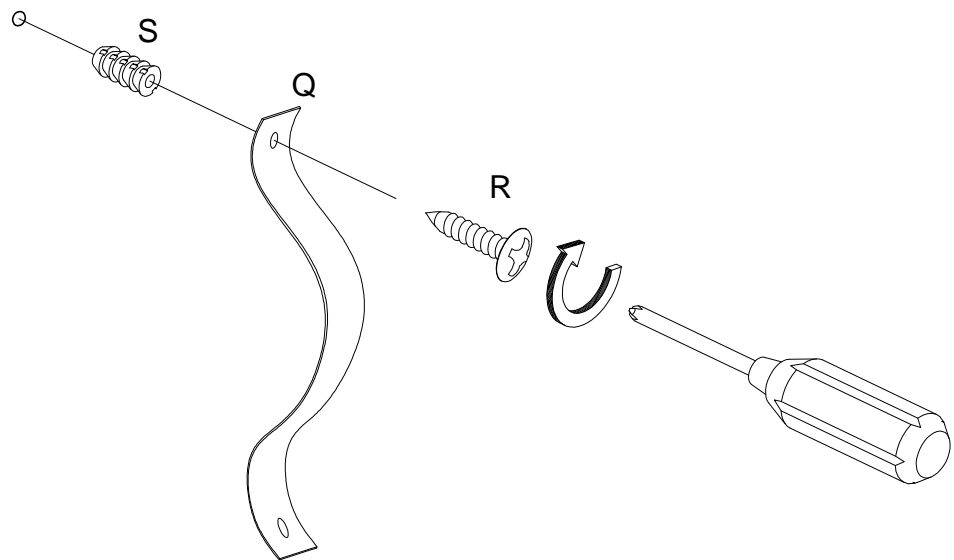
# Step 24

## WARNING



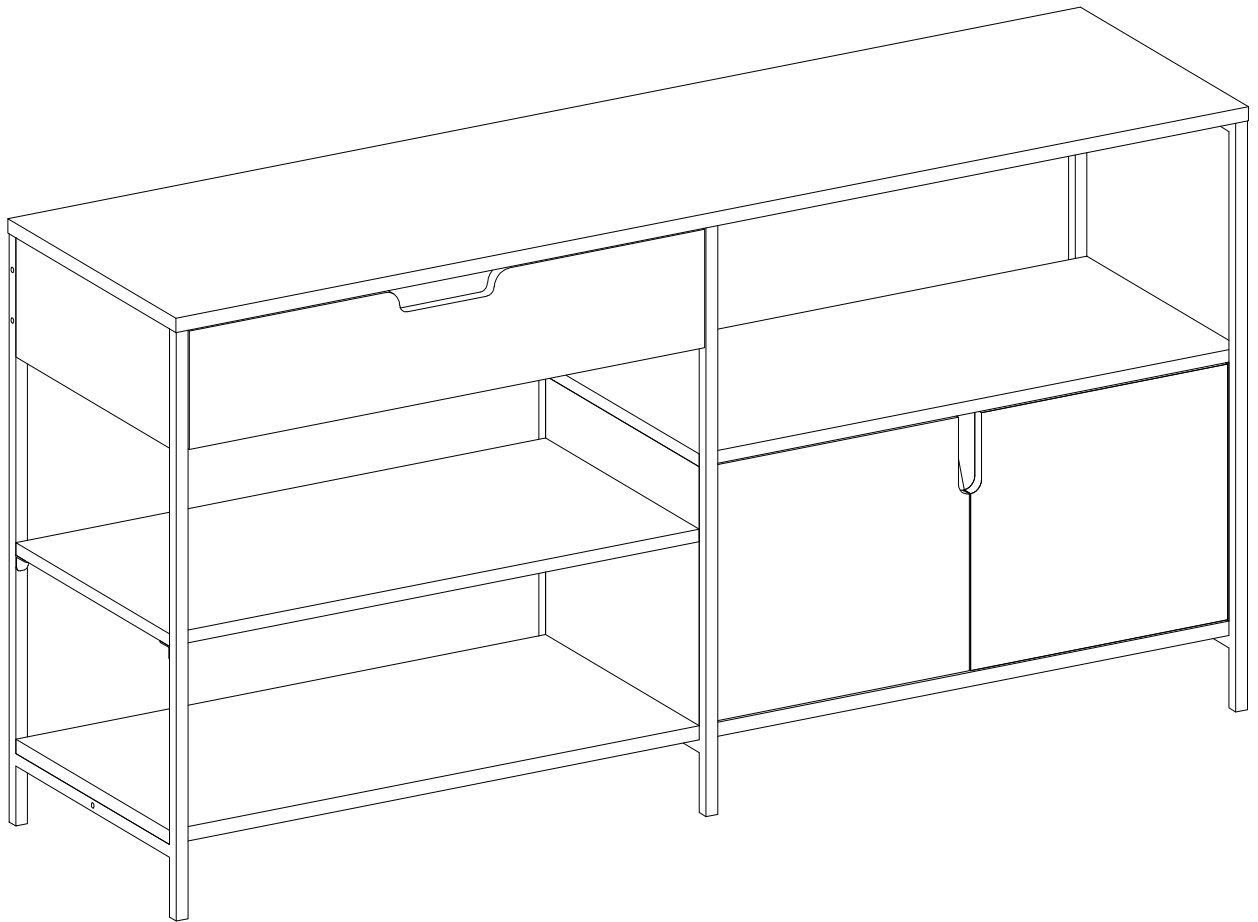
Serious or fatal injuries can occur from furniture tipping over. To prevent the furniture from tipping over we recommend that it is permanently fixed to the wall. Wall anchor and hardware are included with this product. Please make sure hardware is suitable for your walls before installing, as different wall materials may require different types of anchors.

Wall



Using screw (R) attach Velcro strap (Q) into Nut (S) to wall with Philips head screwdriver as per diagram.

# Step 25



## Final Assembly