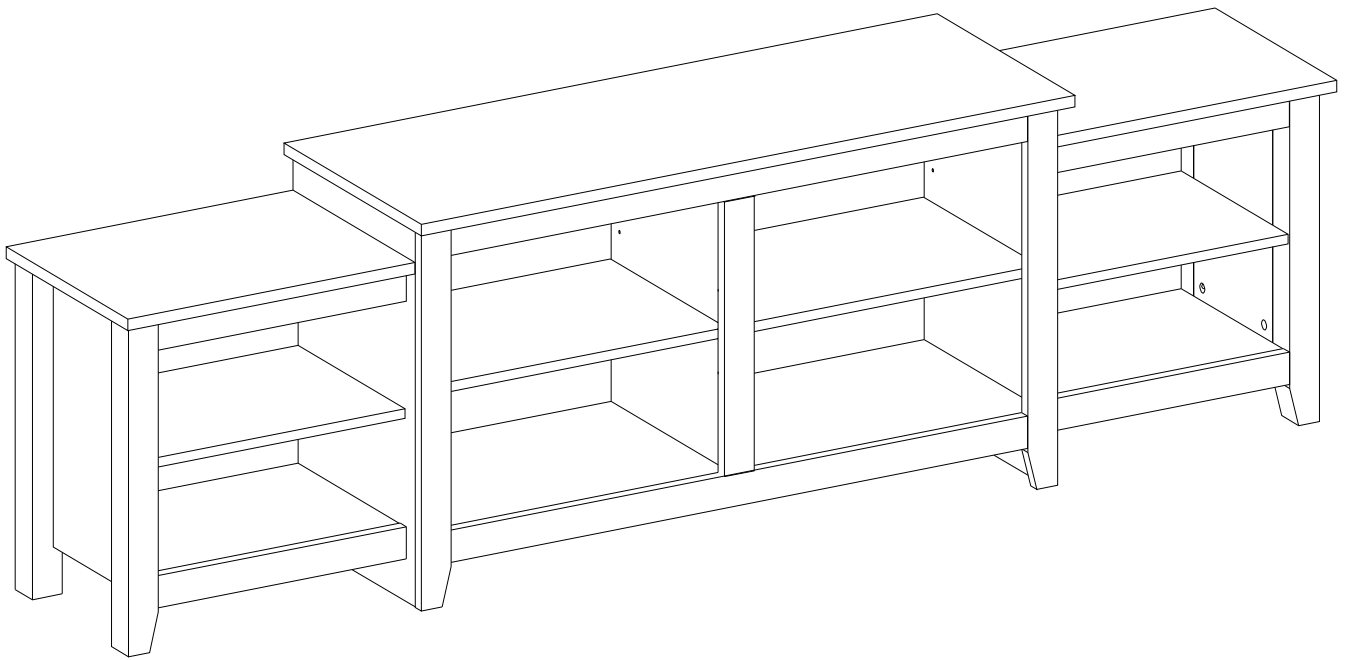


Item # : W80CSPTT

Assembly Instructions



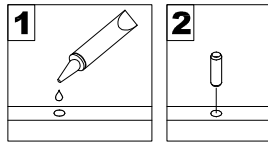
Walker Edison®

Please visit our website for the most current instructions, assembly tips, report damage, or request parts. www.walkeredison.com

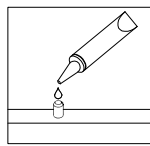
Revised 05/08/2020 (L)

General Assembly Guidelines

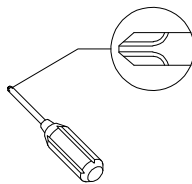
- I. Ensure that all parts and hardware are available before beginning assembly.
- II. Follow each step carefully to ensure the proper assembly of this product.
- III. Two people are recommended for ease in the assembly of this product.
- IV. The three main types of hardware used to assemble this product are: wood dowels, screws and bolts.
- V. The provided glue is to secure wood dowels in place. When first inserting dowels, locate the appropriate hole for the dowel, place a small amount of glue in the hole and insert the dowel. Wipe away excess glue immediately.



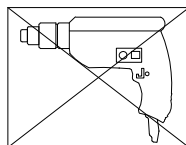
In future assembly steps when dowels are necessary to attach assembly parts together, place a small amount of glue on the end of the dowel before attaching parts together. Wipe away excess glue immediately.



- VI. A Phillips head screwdriver is required for the assembly of this product .

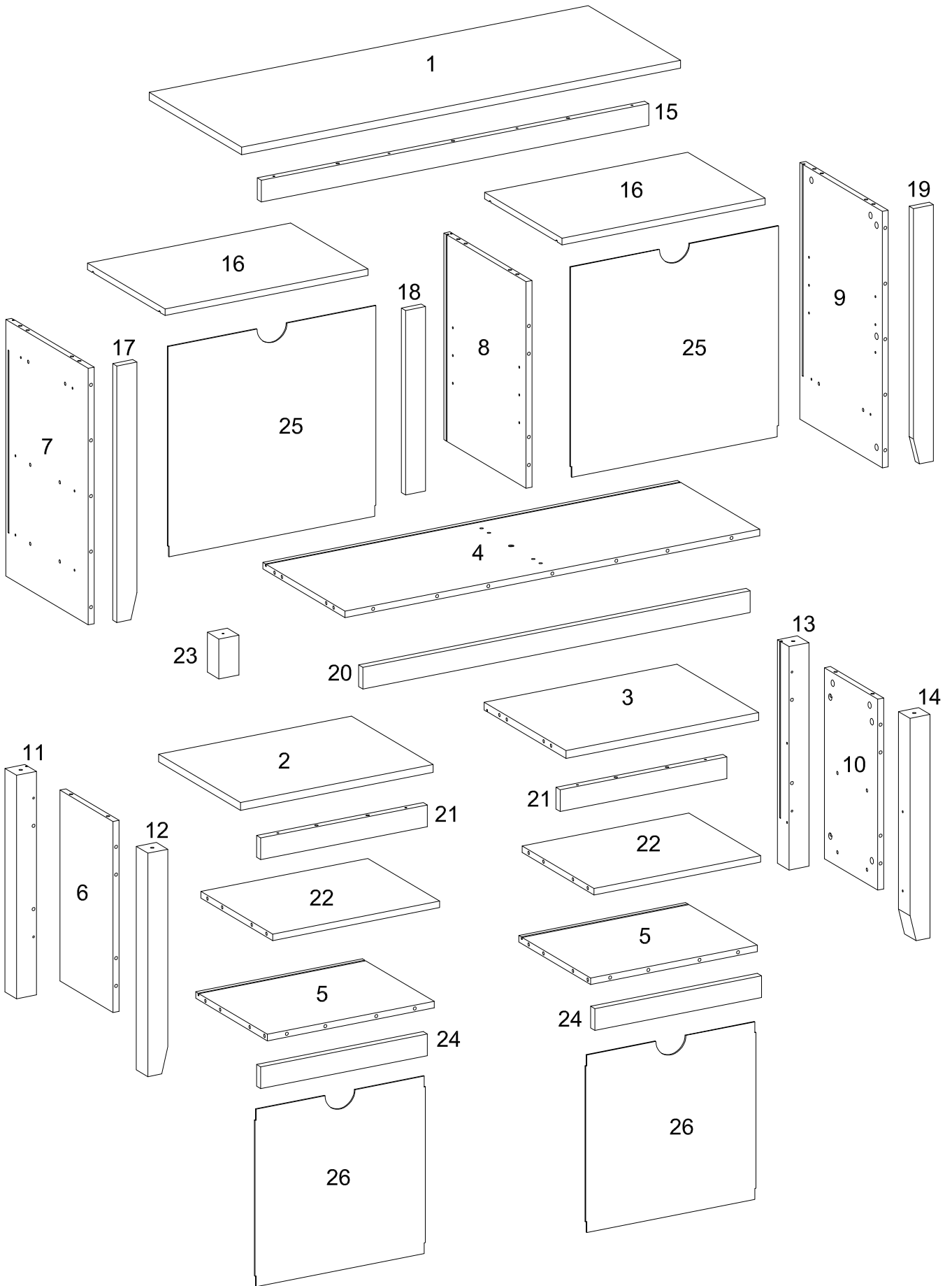


- VII. Power tools should not be used to assemble this product.



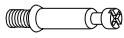


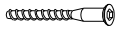


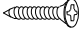
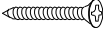
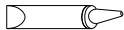


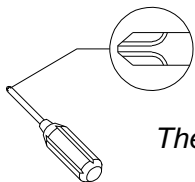
- VIII. Drill may be needed for securing product to wall.

Parts List



Hardware List

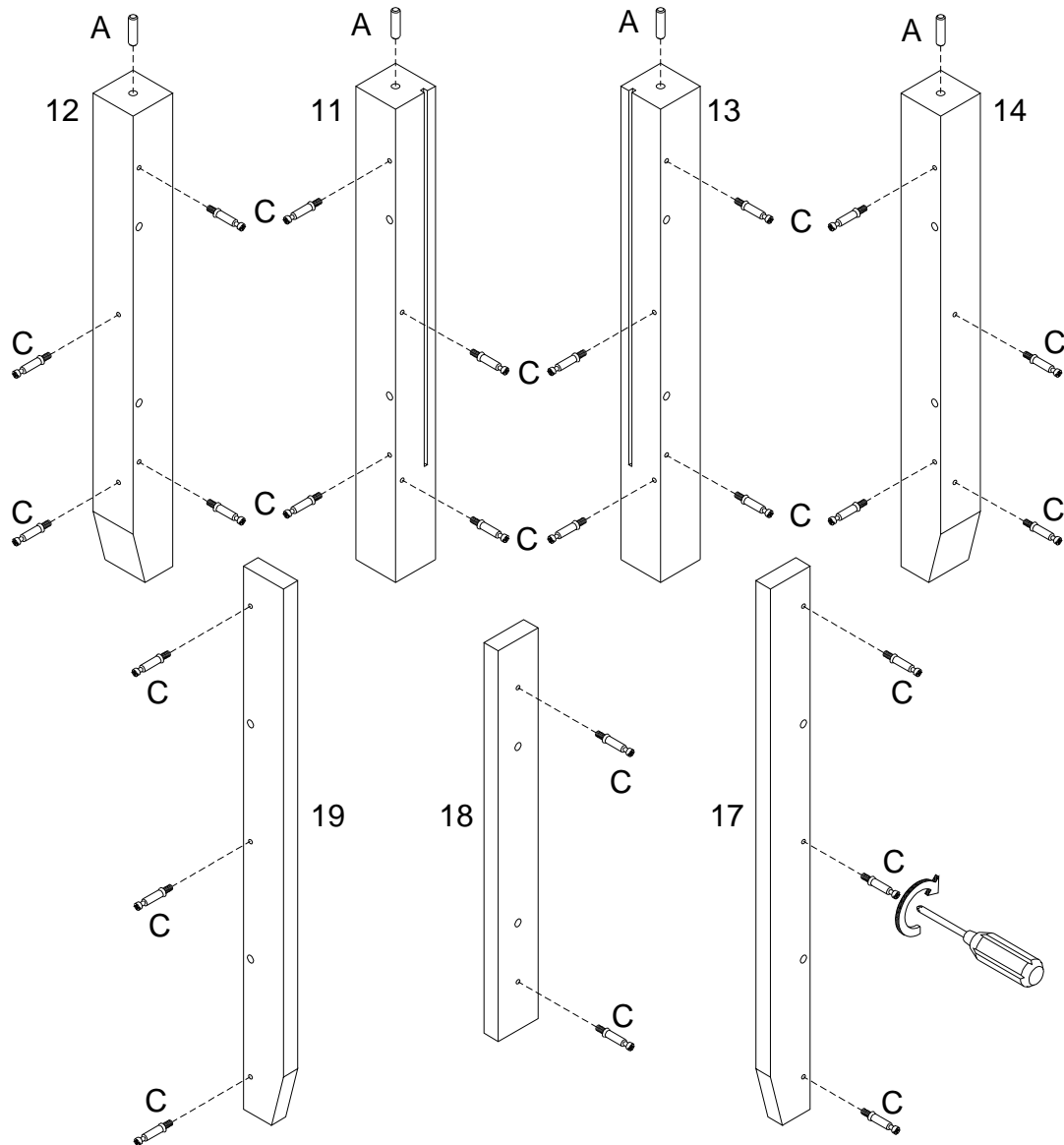
A		Ø8x30mm	Wooden dowel	64 pcs
B		Ø15x11mm	Cam lock	58 pcs
C		Ø6x35mm	Cam bolt	58 pcs
D		Ø30mm	Sticker	58 pcs
E			Shelf support pin	8 pcs
F		Ø6x50mm	Screw	3 pcs
G		M4	Hex Key	1 pc
H			Plastic wedge	16 pcs
J		Ø3x17mm	Screw	16 pcs
K		Ø4x45mm	Screw	8 pcs
L			Glue tube	1 pc



Philips head screwdriver required for assembly
(not included)

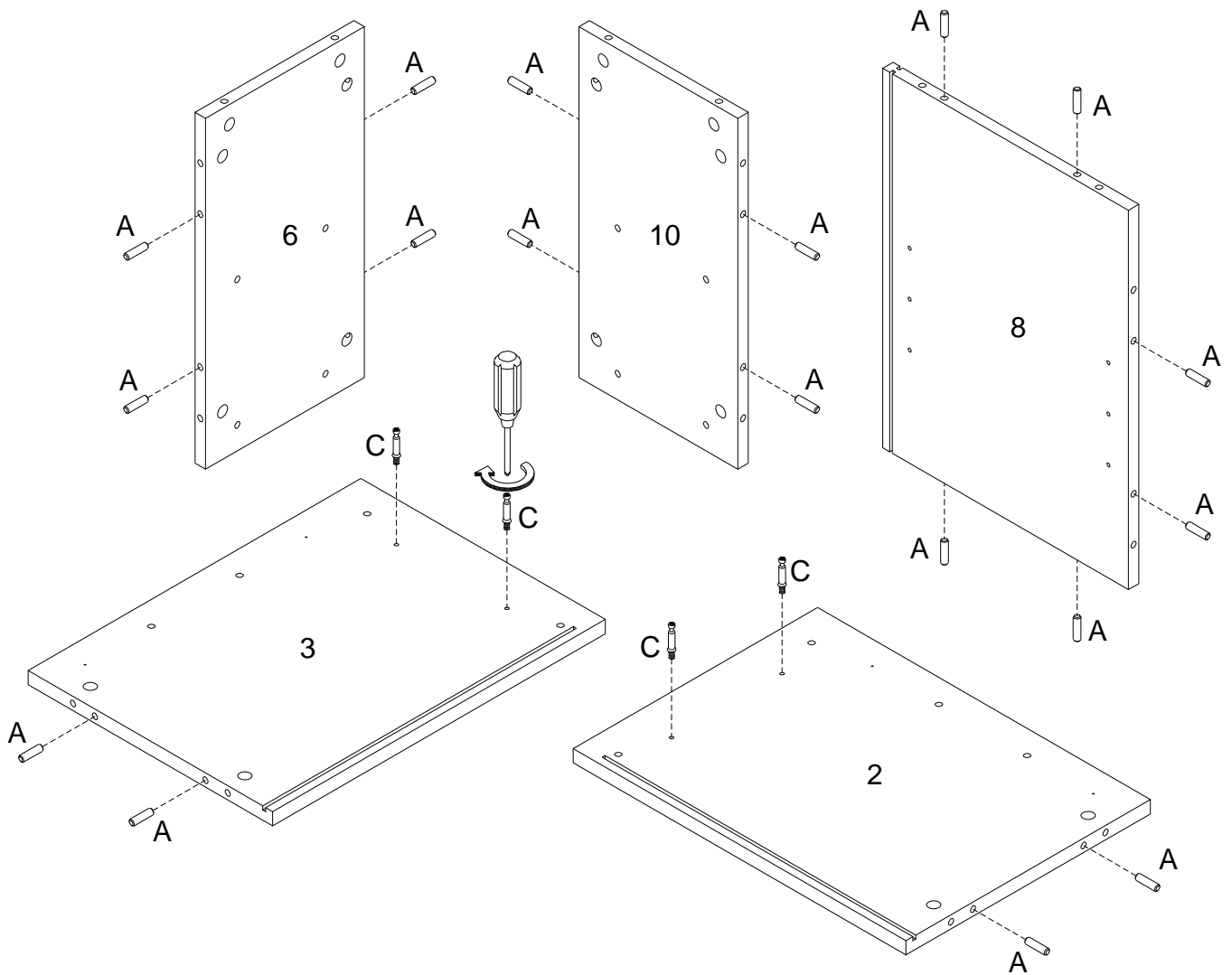
*The hardware quantities listed above are required for proper assembly.
Some extra hardware may also have been included.*

Step 1



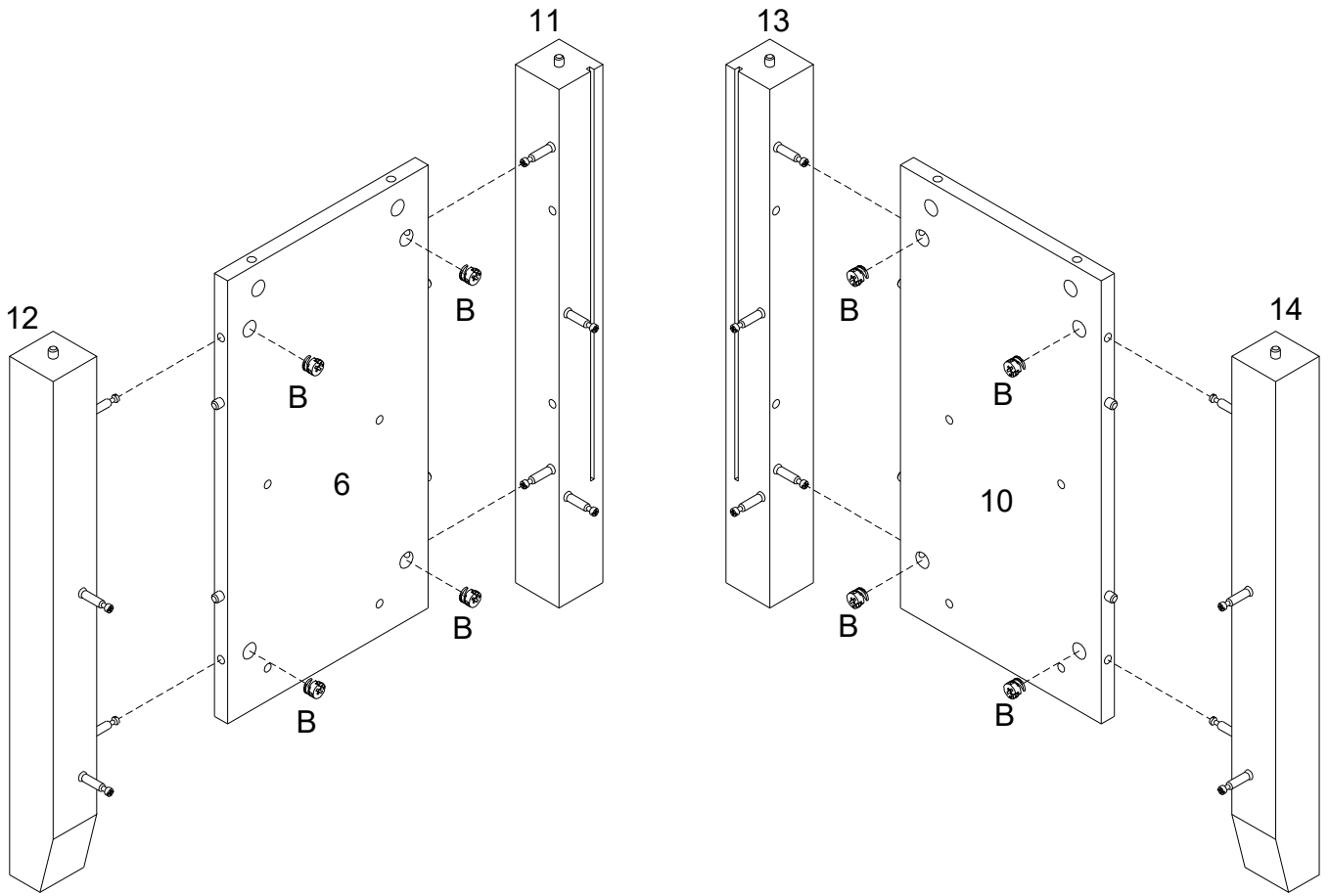
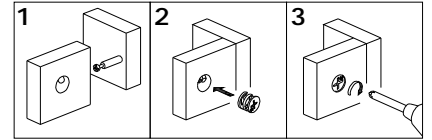
Insert wooden dowel (A) into parts (11,12,13,14) ,then secure Cam bolt (C) into parts (11,12,13,14,17,18,19)with Philips head screwdriver as per diagram.

Step 2



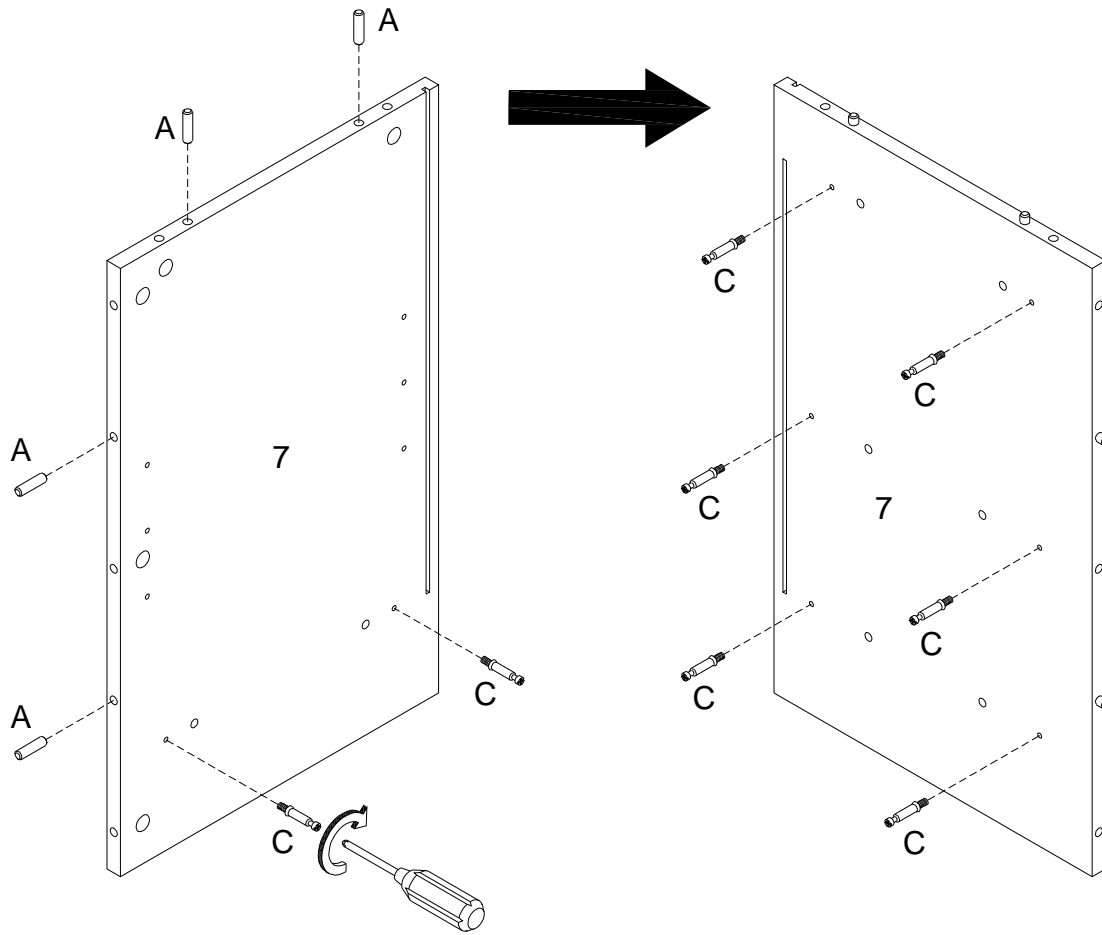
Insert wooden dowel (A) into parts (2,3,6,8,10) ,then secure cam bolt (C) into parts (2,3) with Philips head screwdriver as per diagram.

Step 3



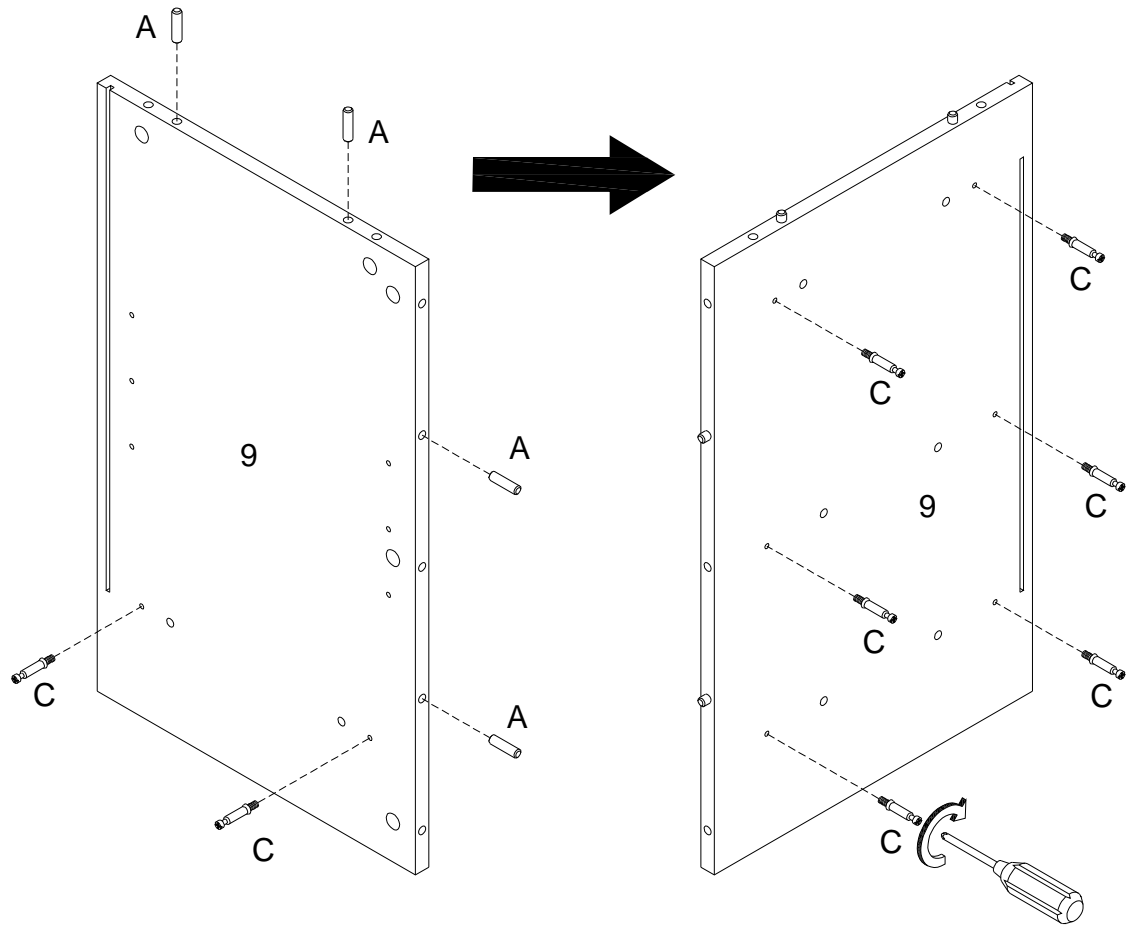
Using Cam lock(B) attach parts (11,12) to part (6) ,parts (13,14) to part (10) with Philips head screwdriver as per diagram.

Step 4



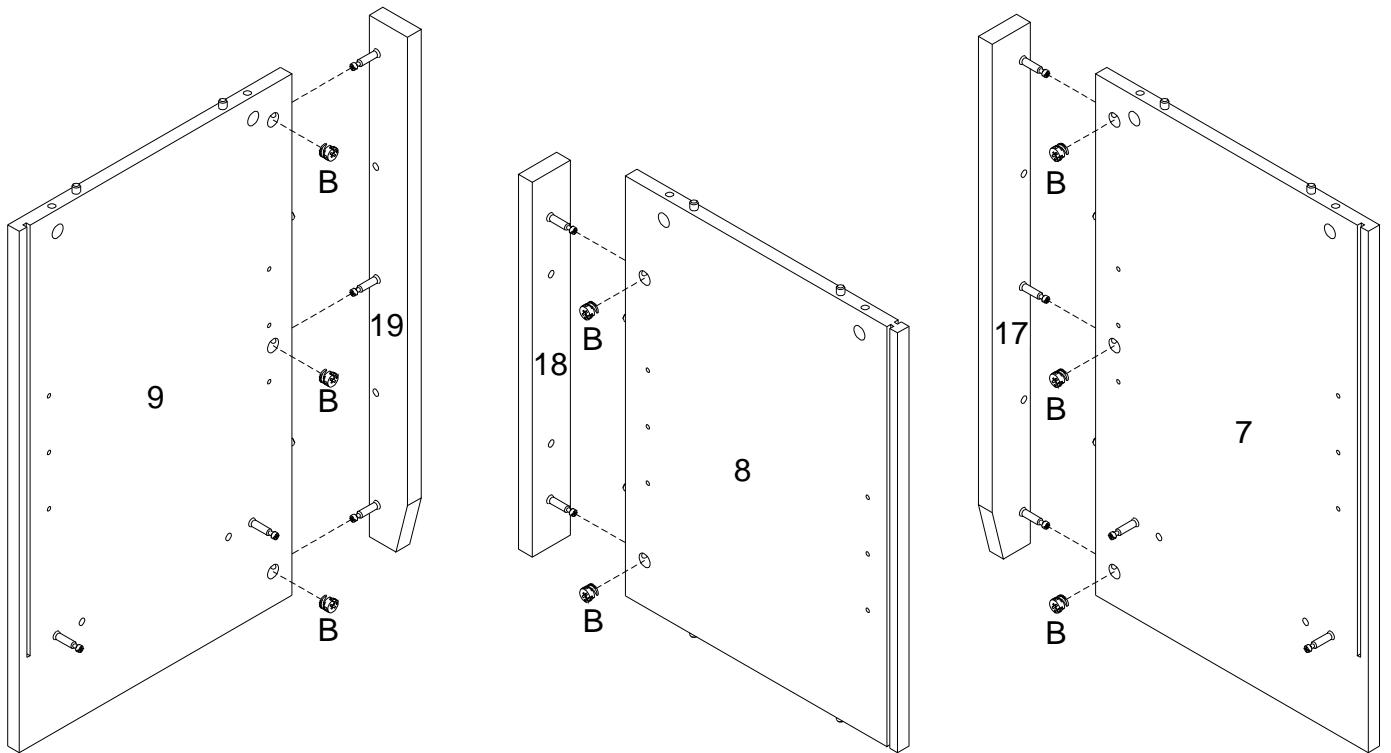
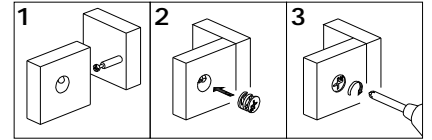
Insert wooden dowel (A) into part (7) , then secure cam bolt (C) into part (7) with Philips head screwdriver as per diagram.

Step 5



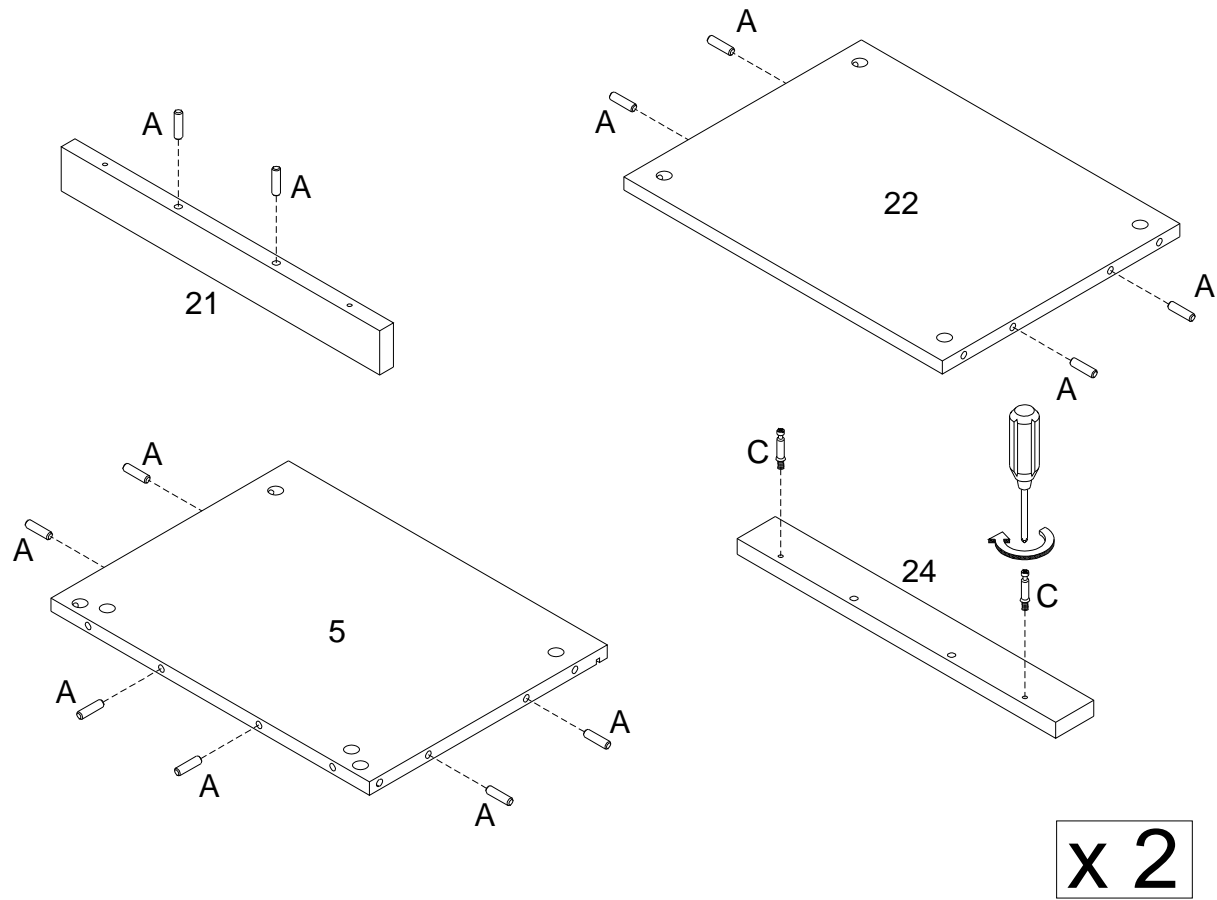
Insert wooden dowel (A) into part (9) , then secure cam bolt (C) into part (9) with Philips head screwdriver as per diagram.

Step 6



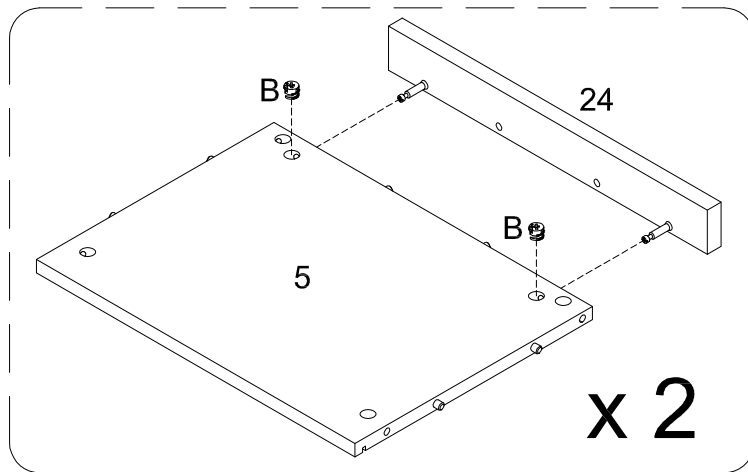
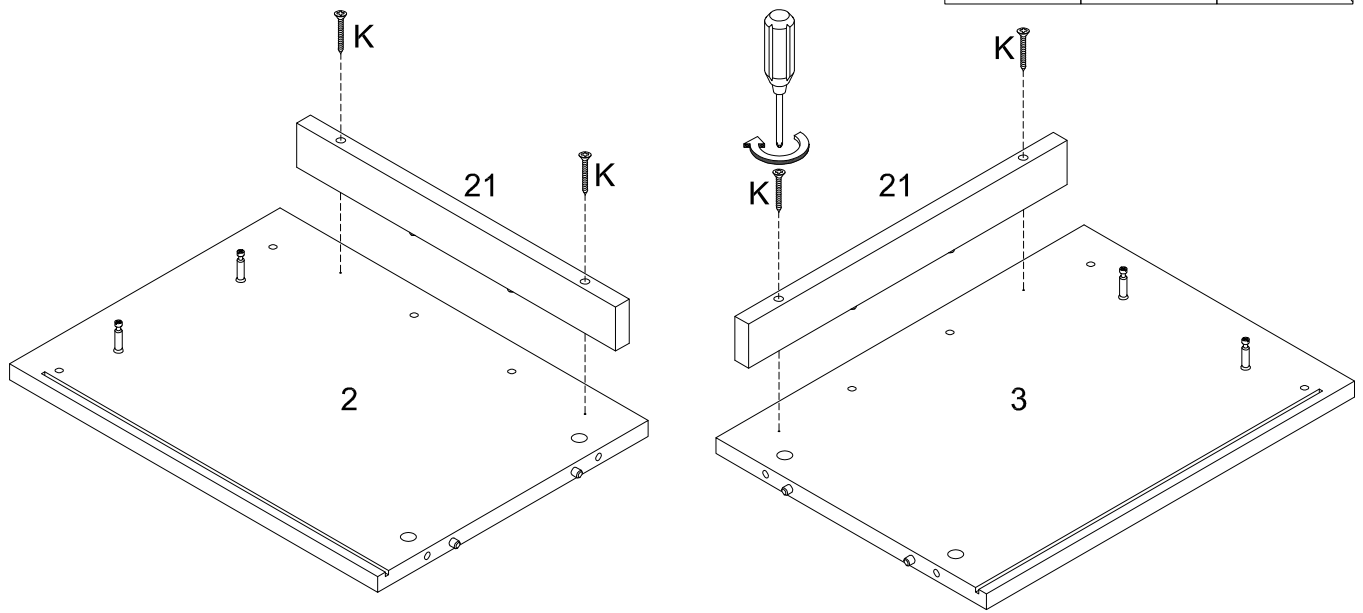
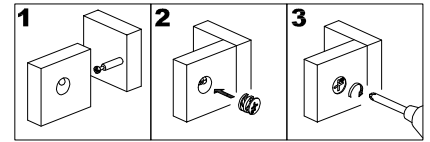
Using Cam lock(B) secure parts (17) to part (7) ,part (18) to part (8) ,part (19) to part (9) with Philips head screwdriver as per diagram.

Step 7



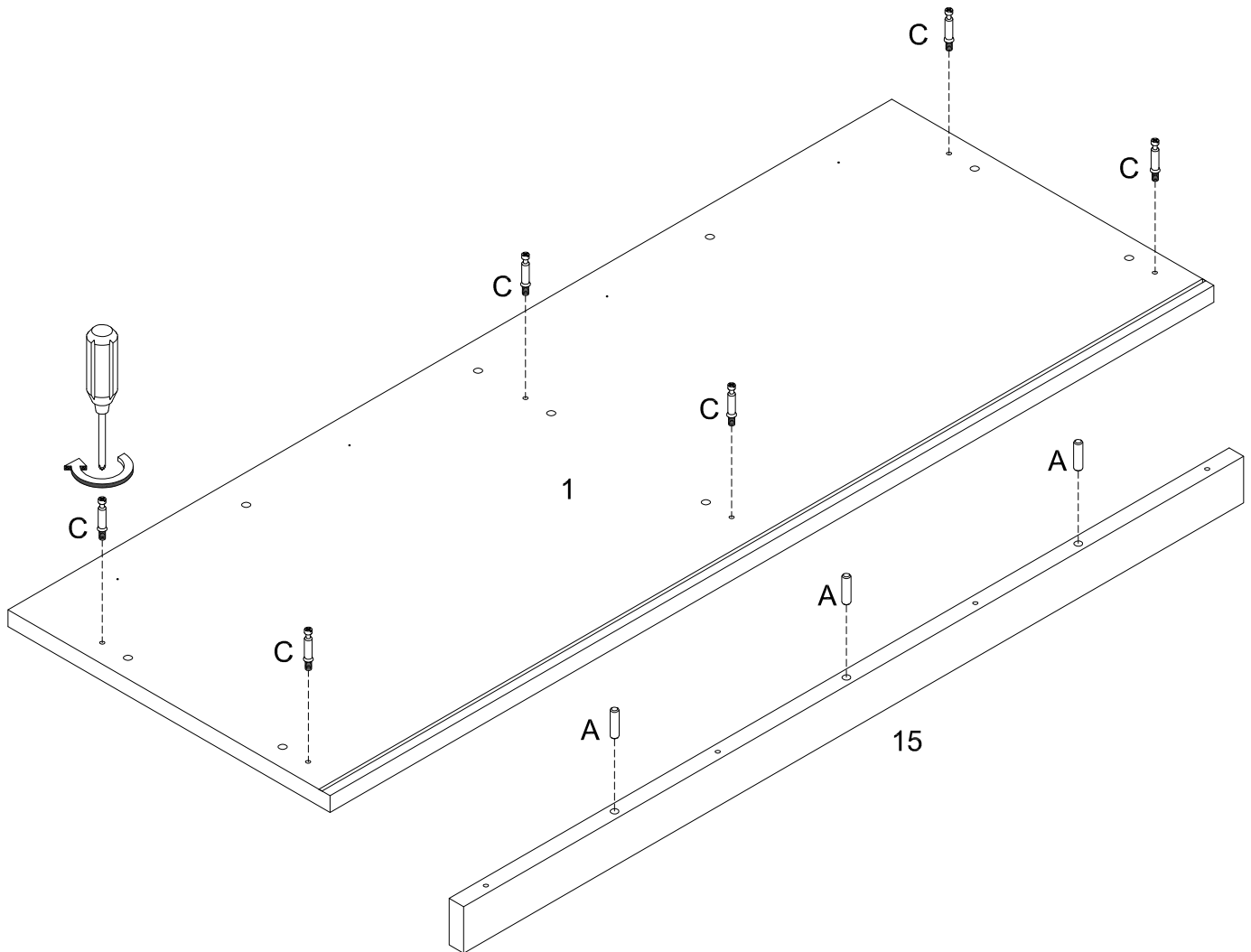
Insert wooden dowel (A) into parts (5,21,22) ,then secure cam bolt (C) into part (24) with Philips head screwdriver as per diagram.

Step 8



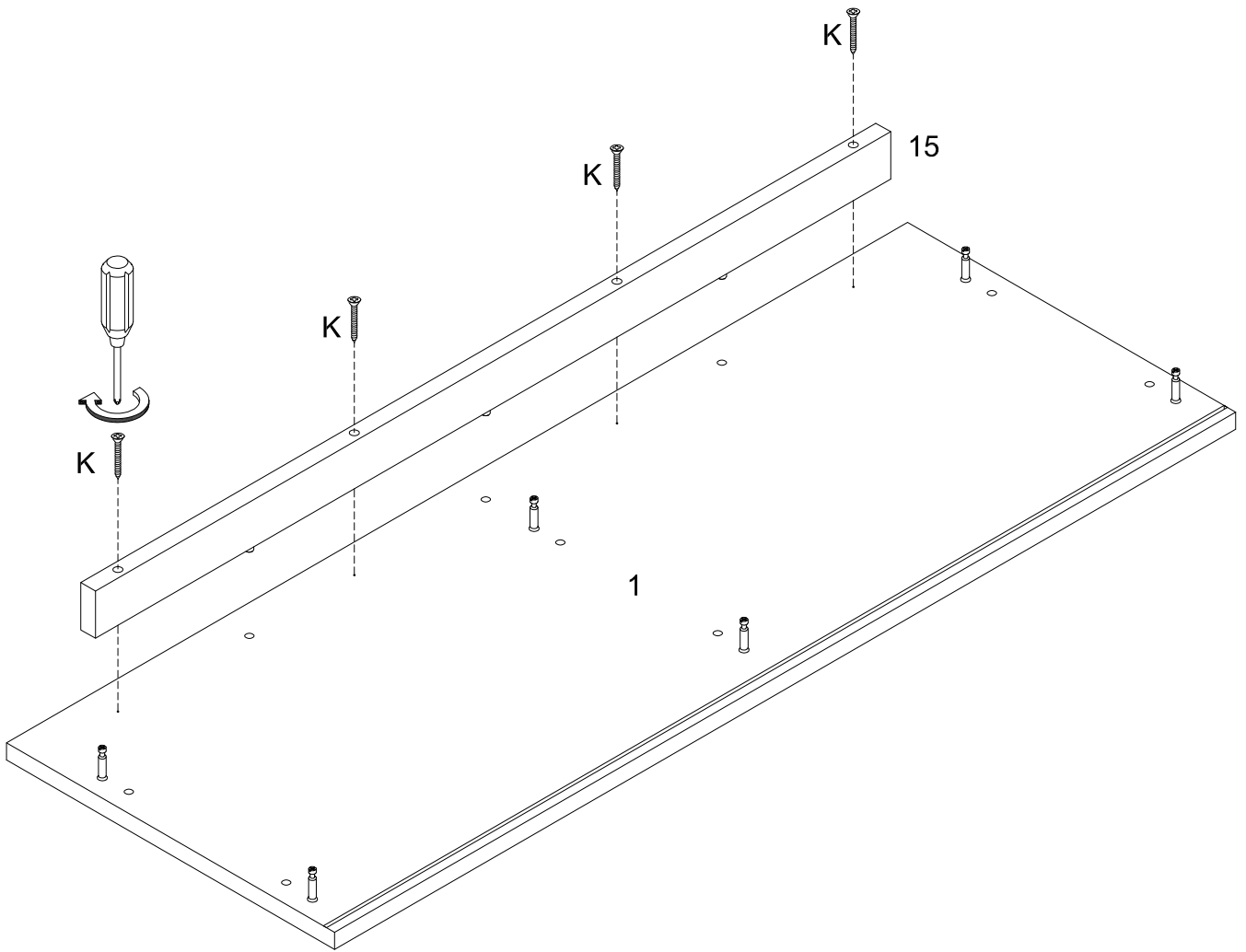
Using screw (K) attach part (21) to parts (2,3), then using Cam lock(B) secure part (24) to part (5) with Philips head screwdriver as per diagram.

Step 9



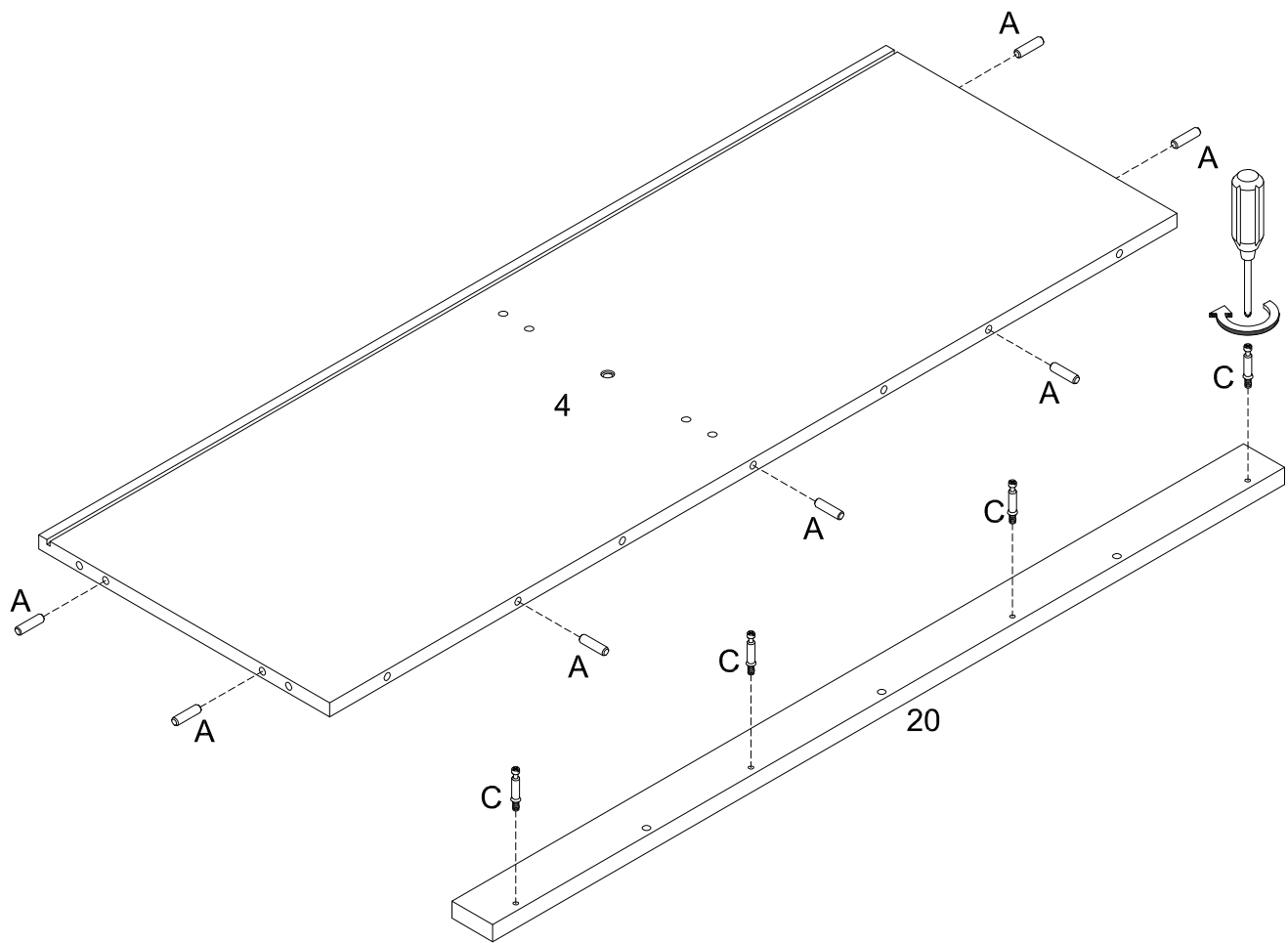
Insert wooden dowel (A) into part (15) ,then secure cam bolt (C) into part (1) with Philips head screwdriver as per diagram.

Step 10



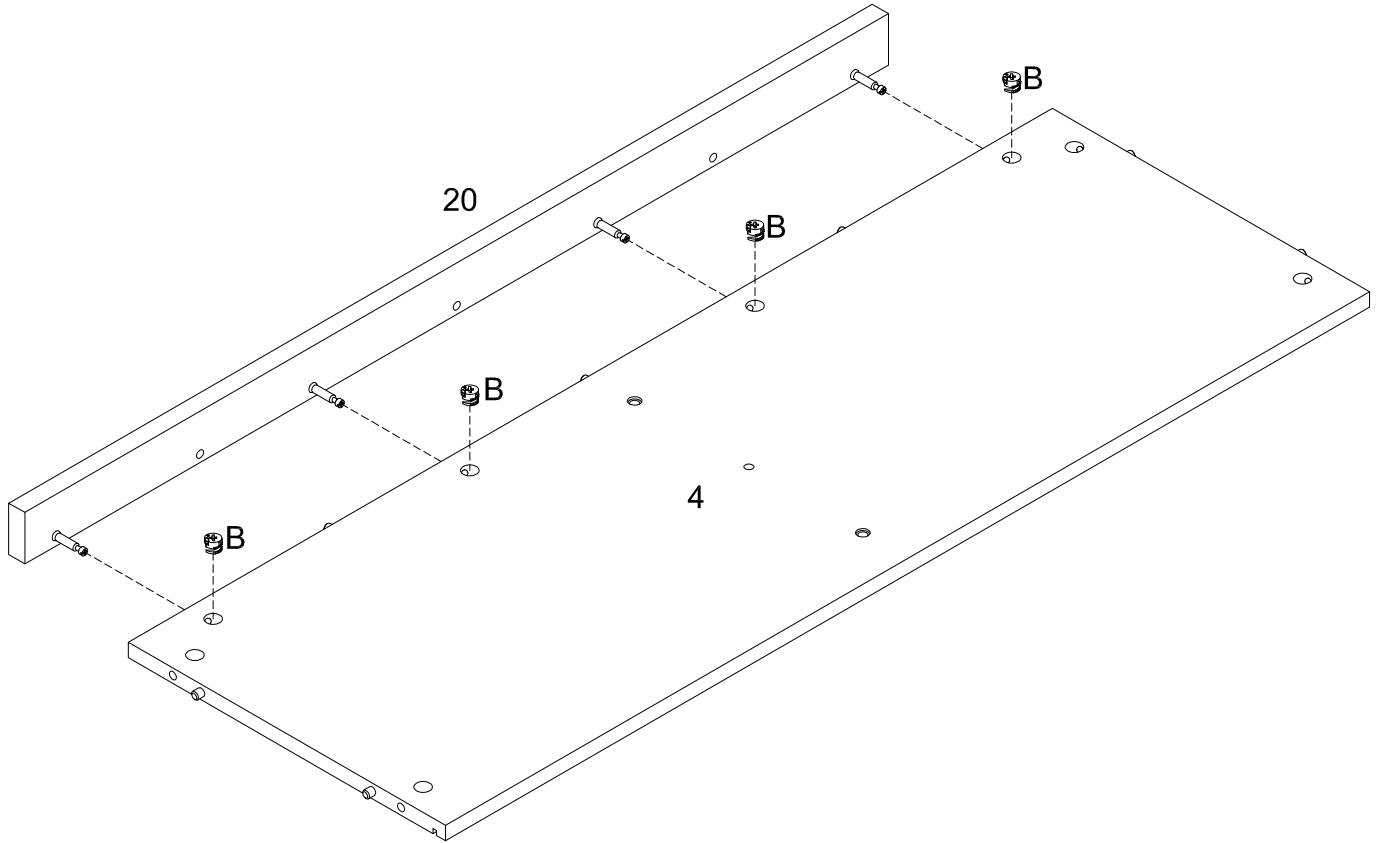
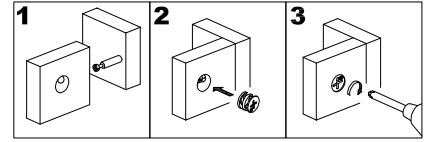
Using screw (K) attach part (15) to part (1) with Philips head screwdriver as per diagram.

Step 11



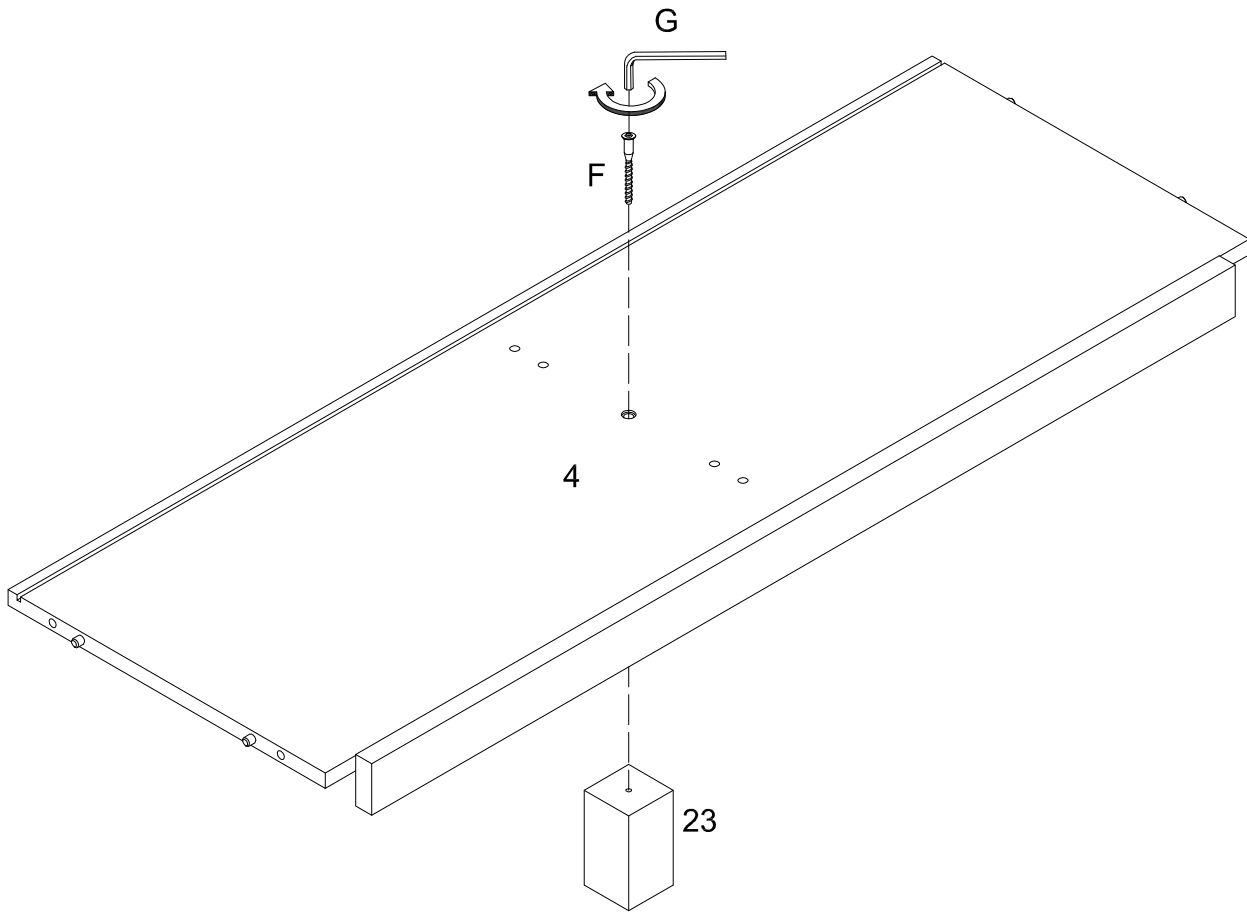
Insert wooden dowel (A) into part (4) ,then secure cam bolt (C) into part (20) with Philips head screwdriver as per diagram.

Step 12



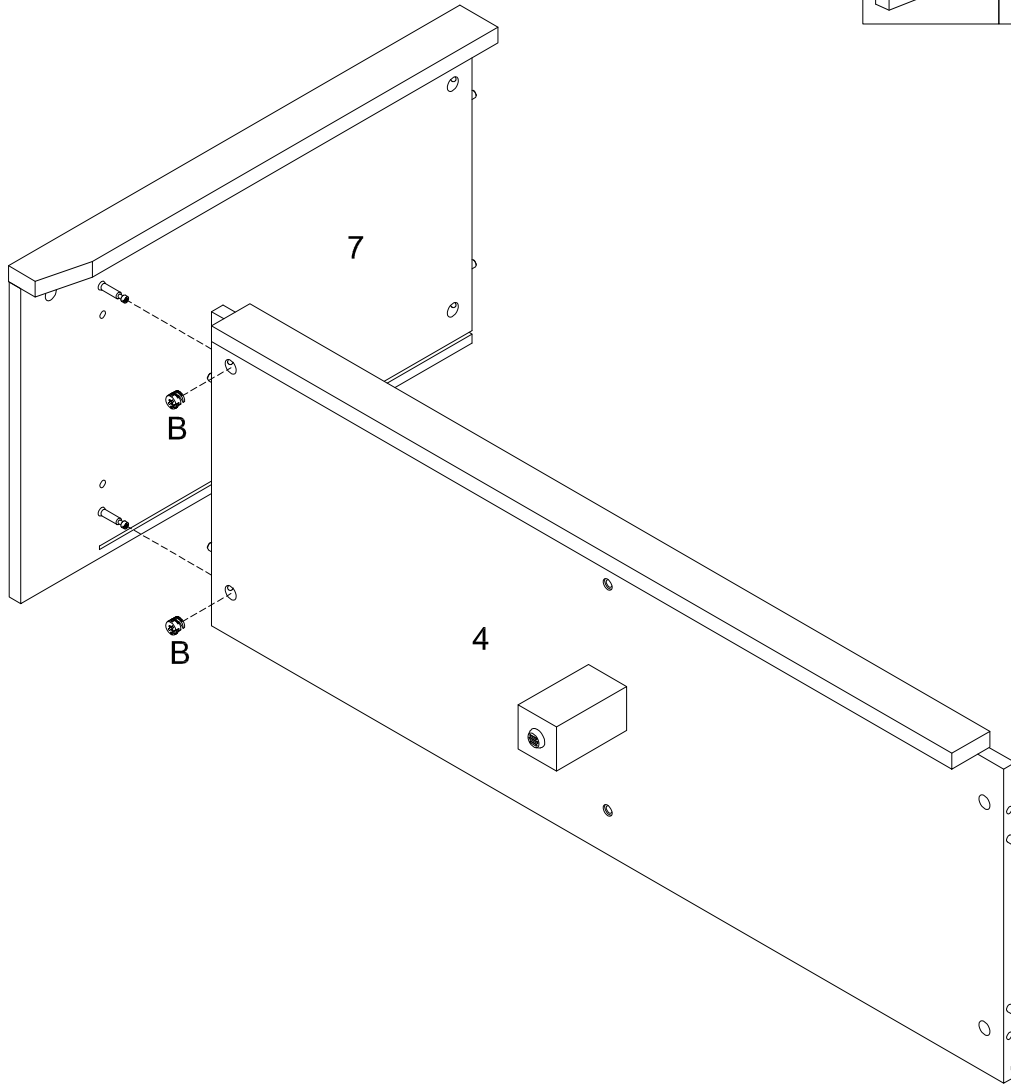
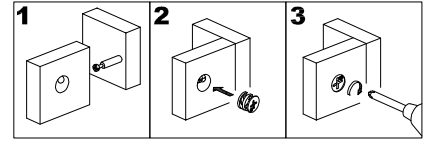
Using cam lock (B) secure part (20) to part (4) with Philips head screwdriver as per diagram.

Step 13



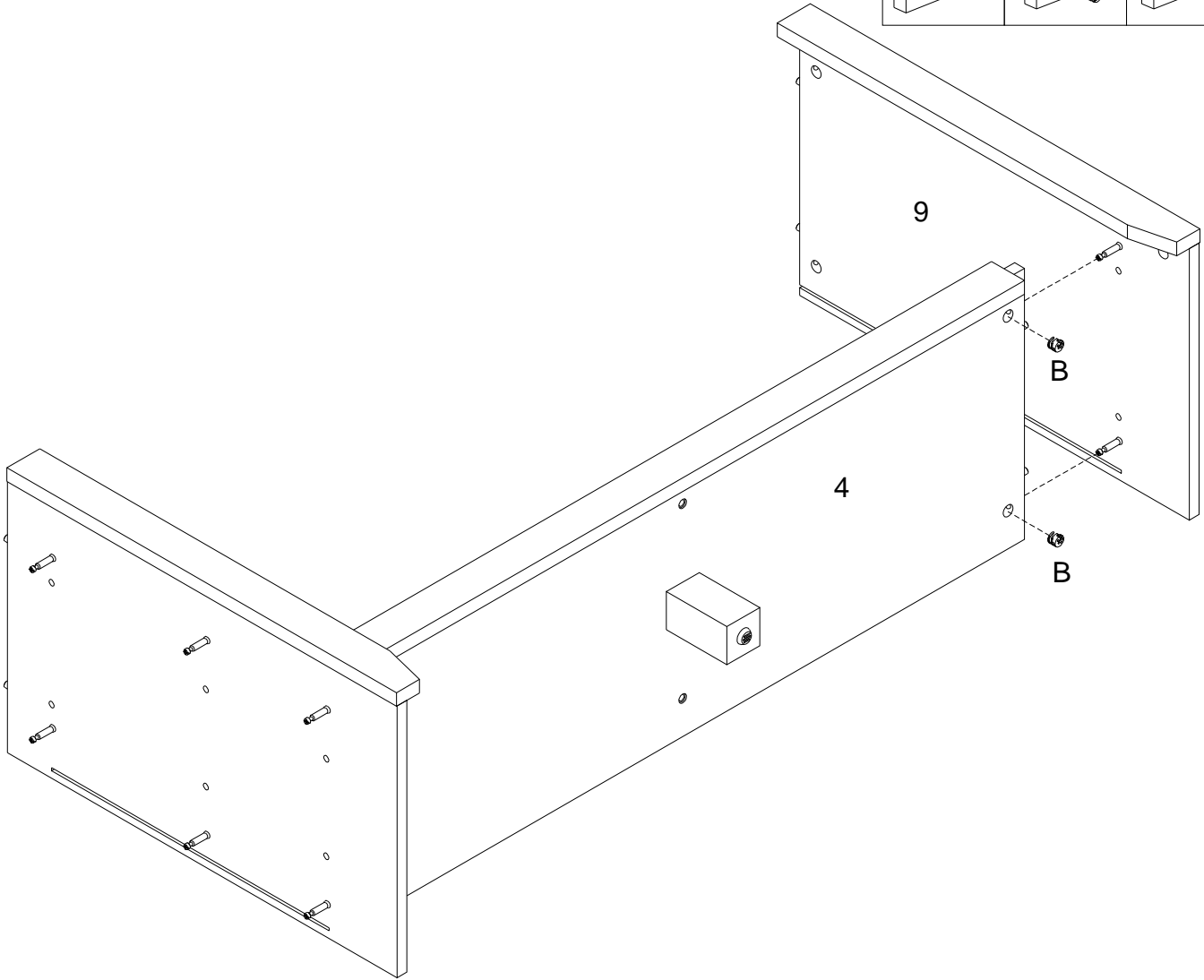
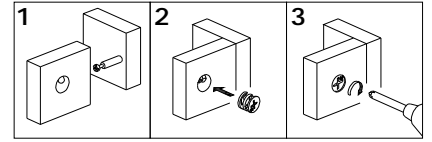
Using Screw (F) attach part (4) into part (23) with hex key (G) as per diagram.

Step 14



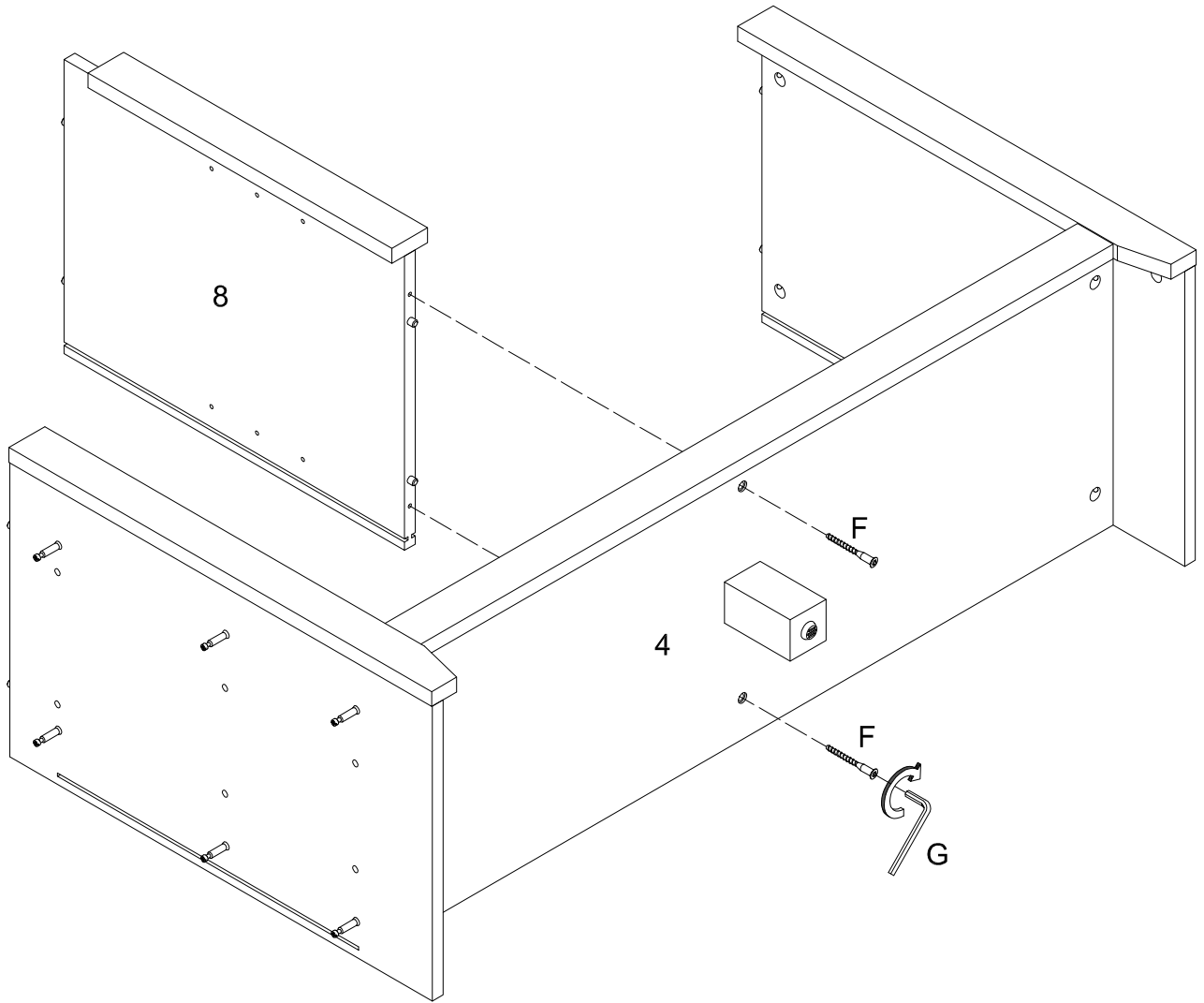
Using Cam lock(B) secure part (7) to part (4) with Philips head screwdriver as per diagram.

Step 15



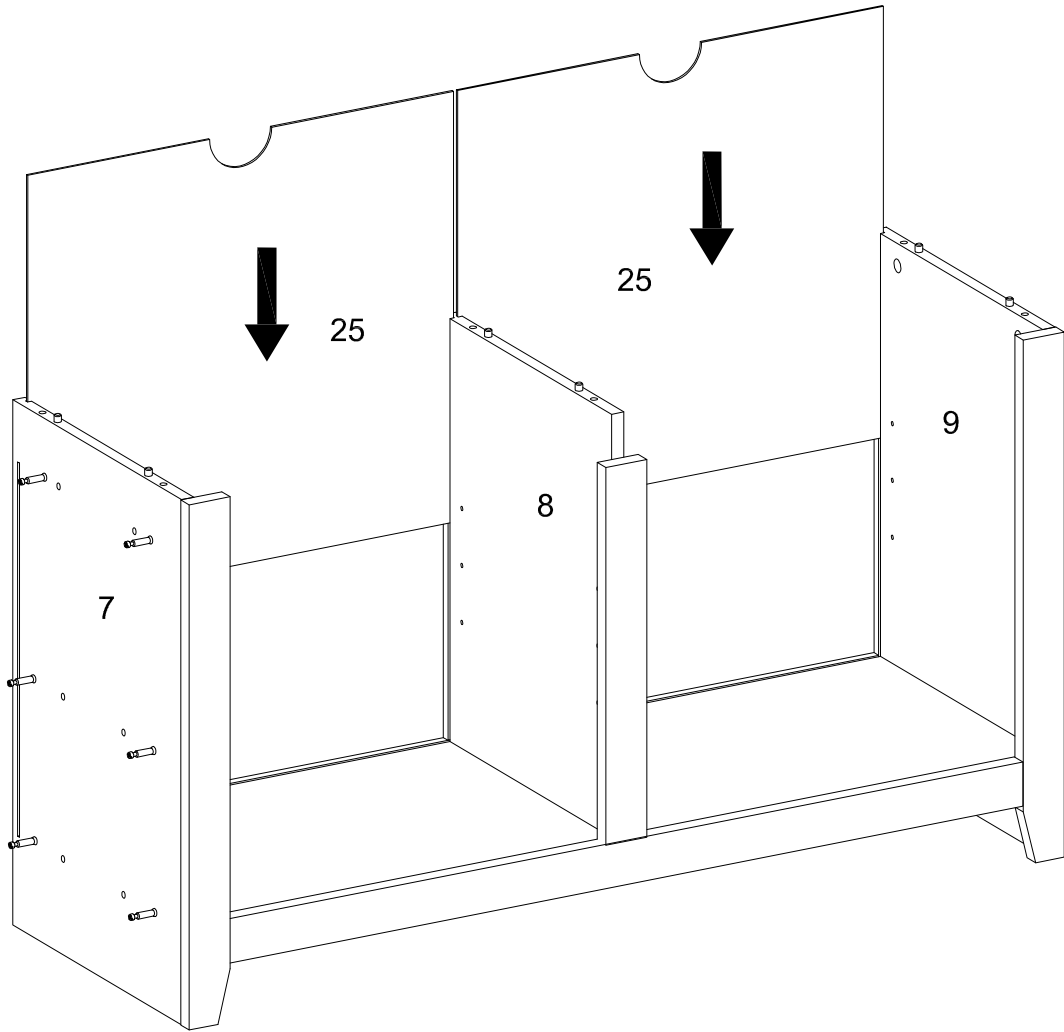
Using Cam lock (B) secure part (9) to part (4) with Philips head screwdriver as per diagram.

Step 16



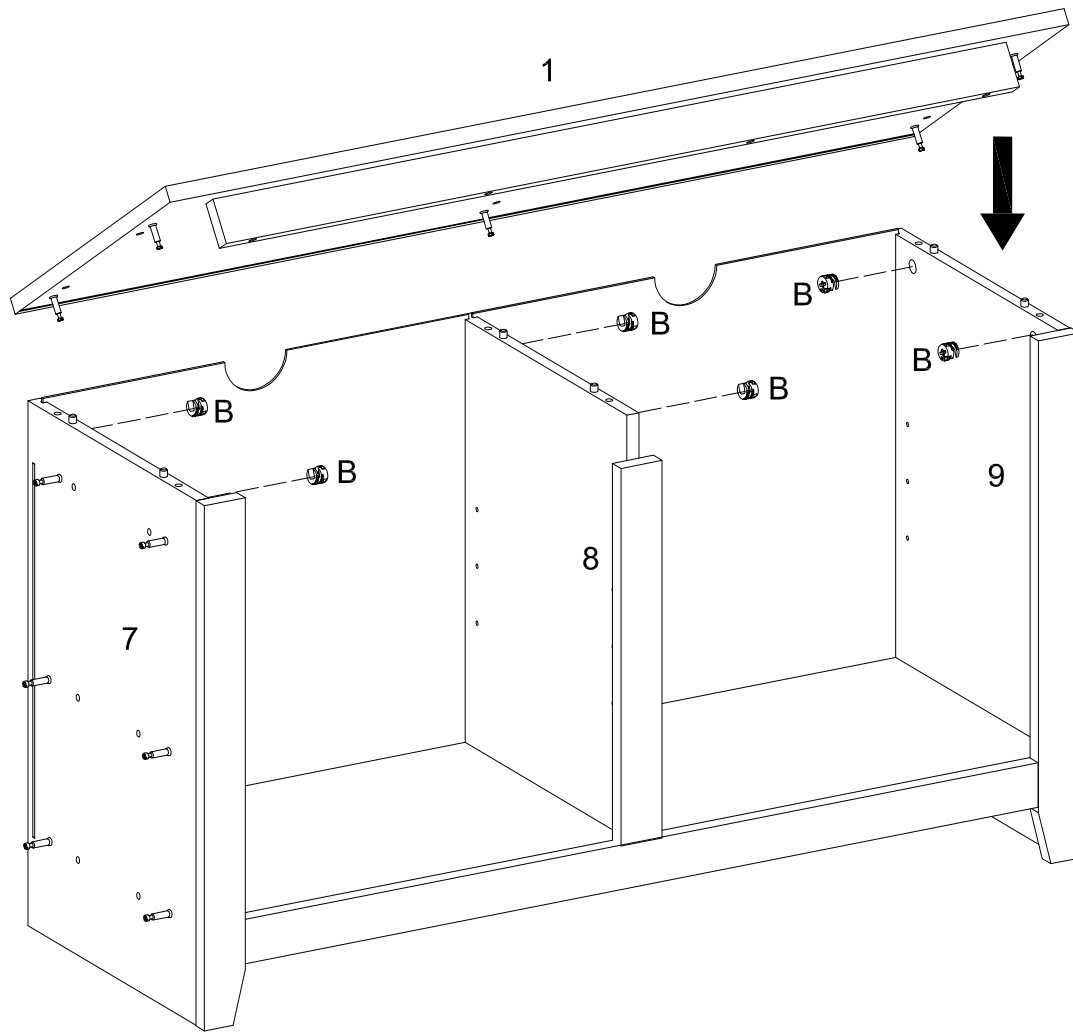
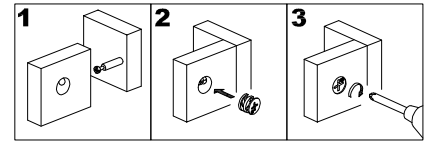
Using screw (F) attach part (4) into part (8) with Hex key (G) as per diagram.

Step 17



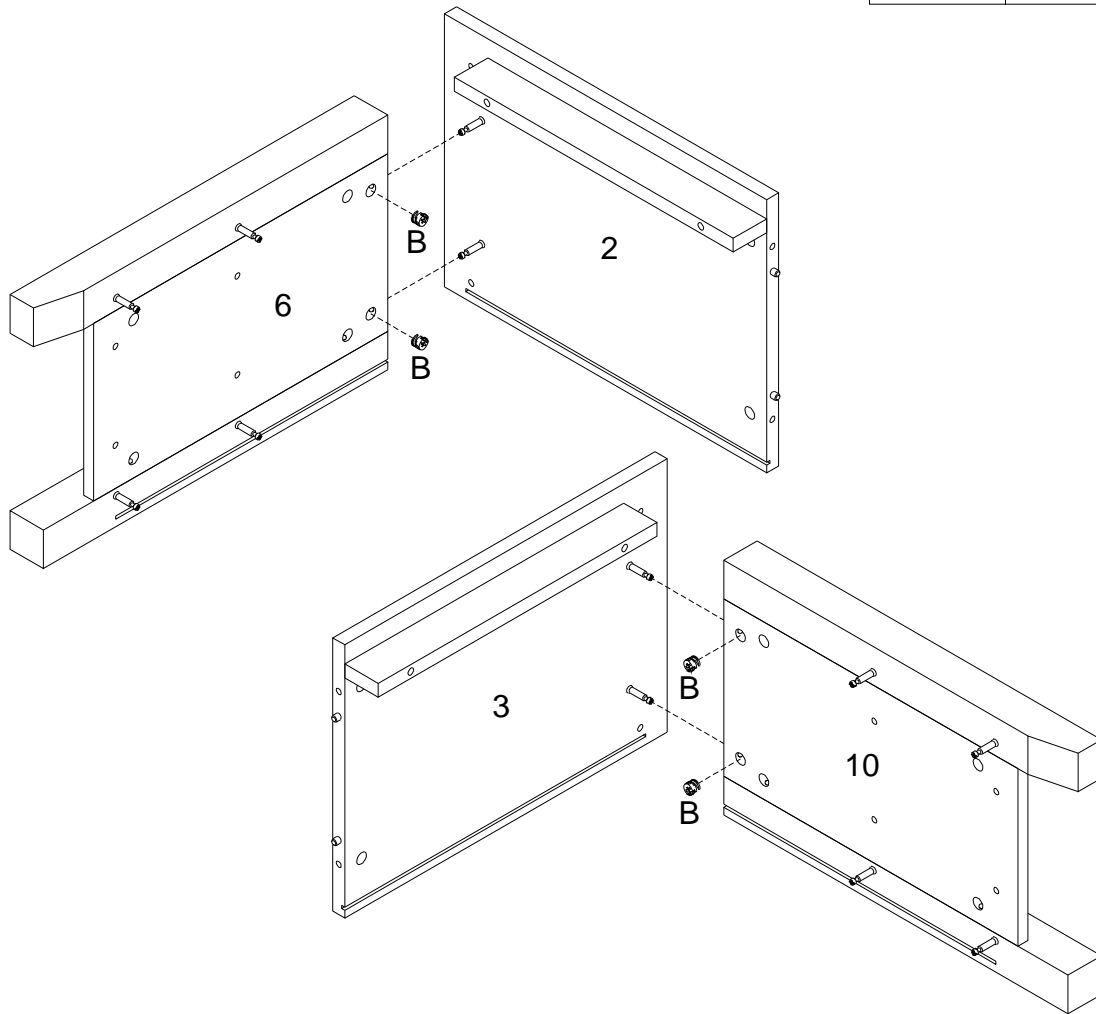
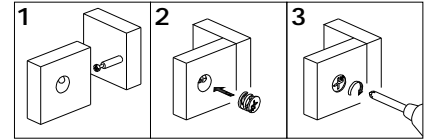
Put parts (25) as per diagram.

Step 18



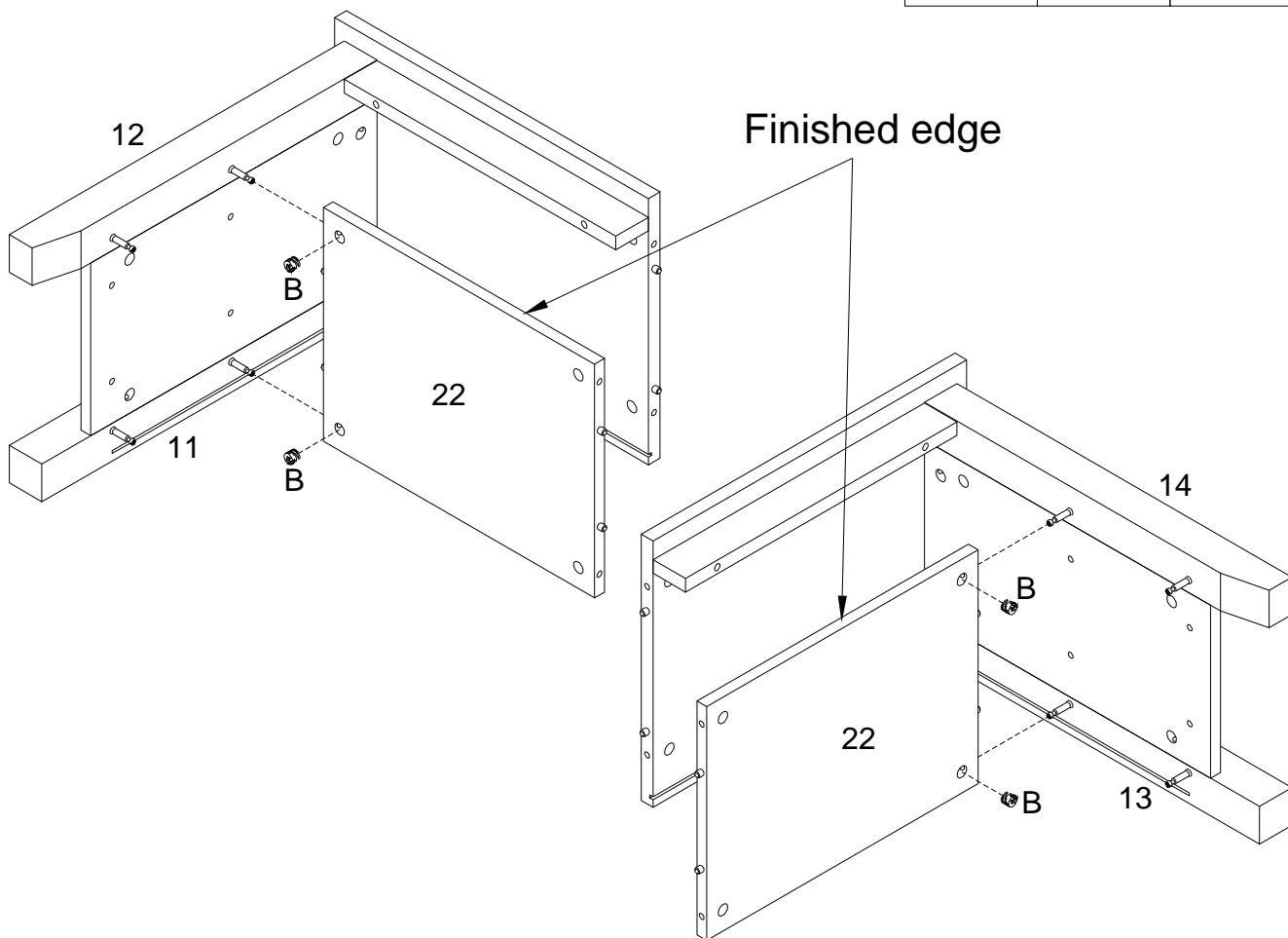
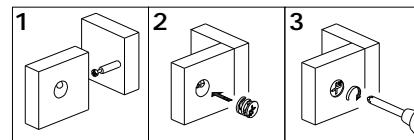
Using cam lock (B) secure part (1) into parts (7,8,9) with Philips head screwdriver as per diagram.

Step 19



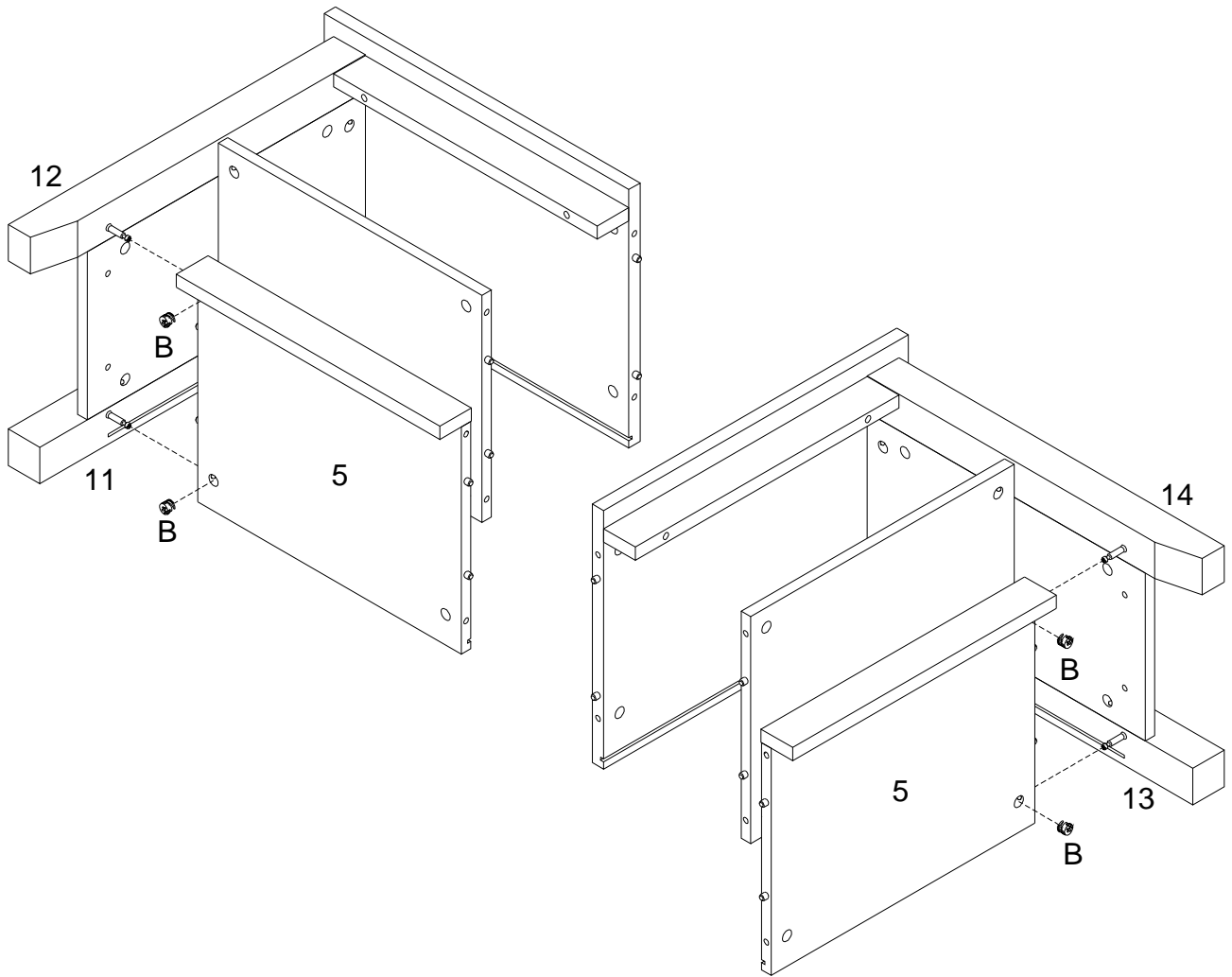
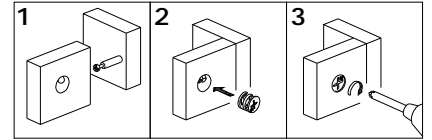
Using cam lock (B) secure part (6) to part (2), part (10) to part (3) with Philips head screwdriver as per diagram.

Step 20



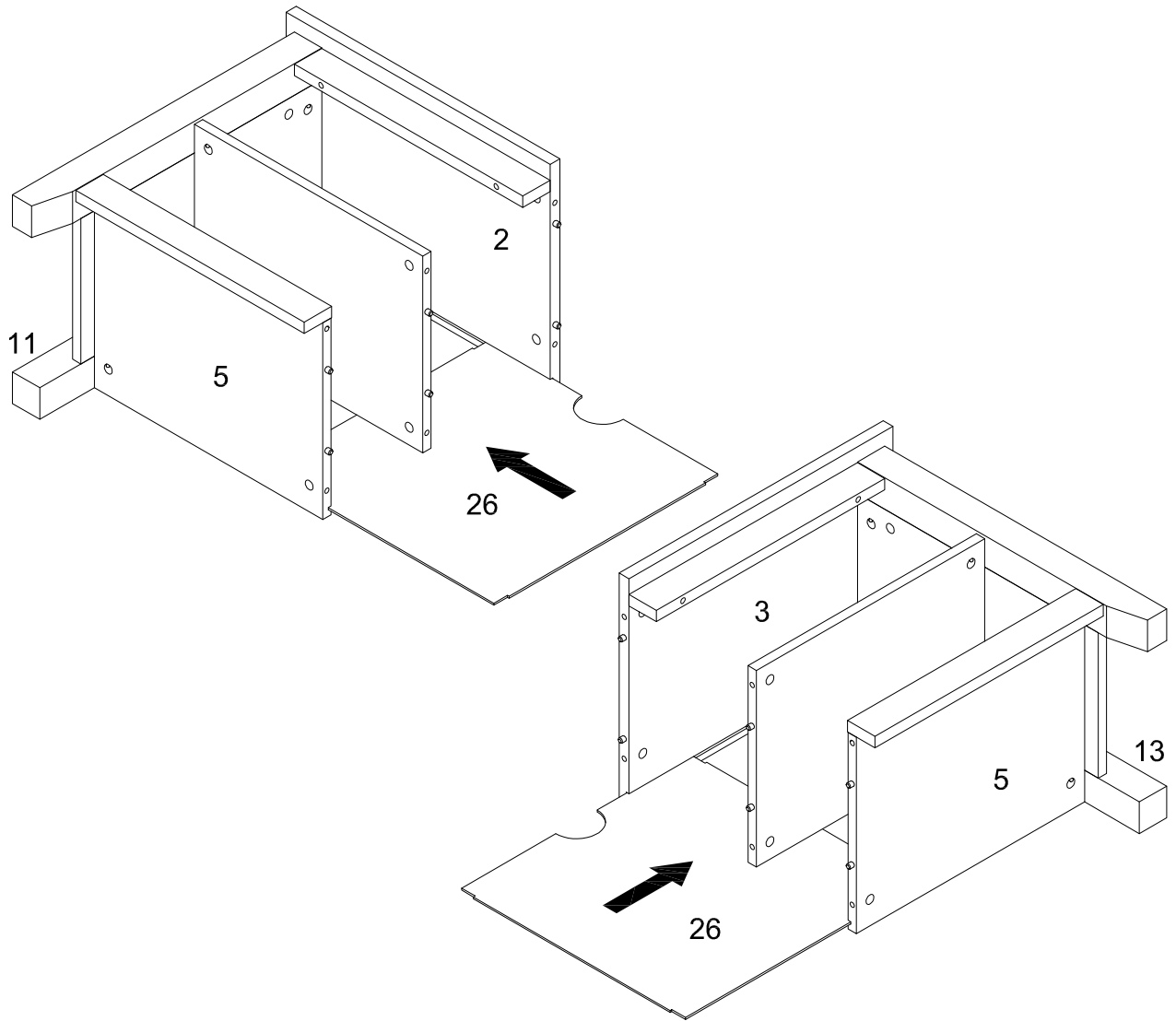
Using cam lock (B) secure part (22) to parts (11,12,13,14) with Philips head screwdriver as per diagram.

Step 21



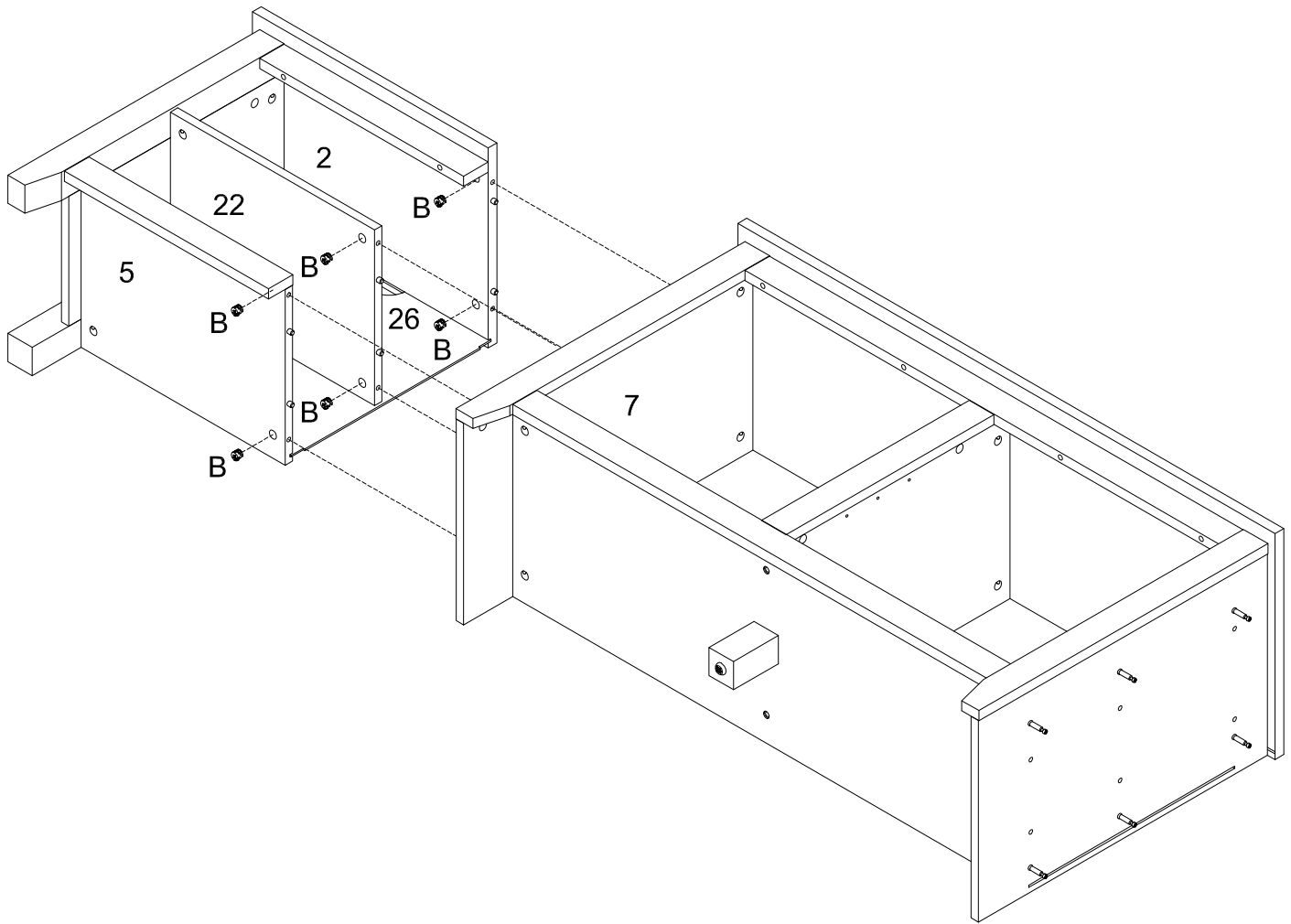
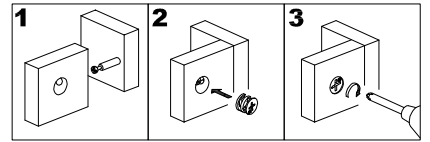
Using cam lock (B) secure part (5) to part (11,12,13,14) with Philips head screwdriver as per diagram.

Step 22



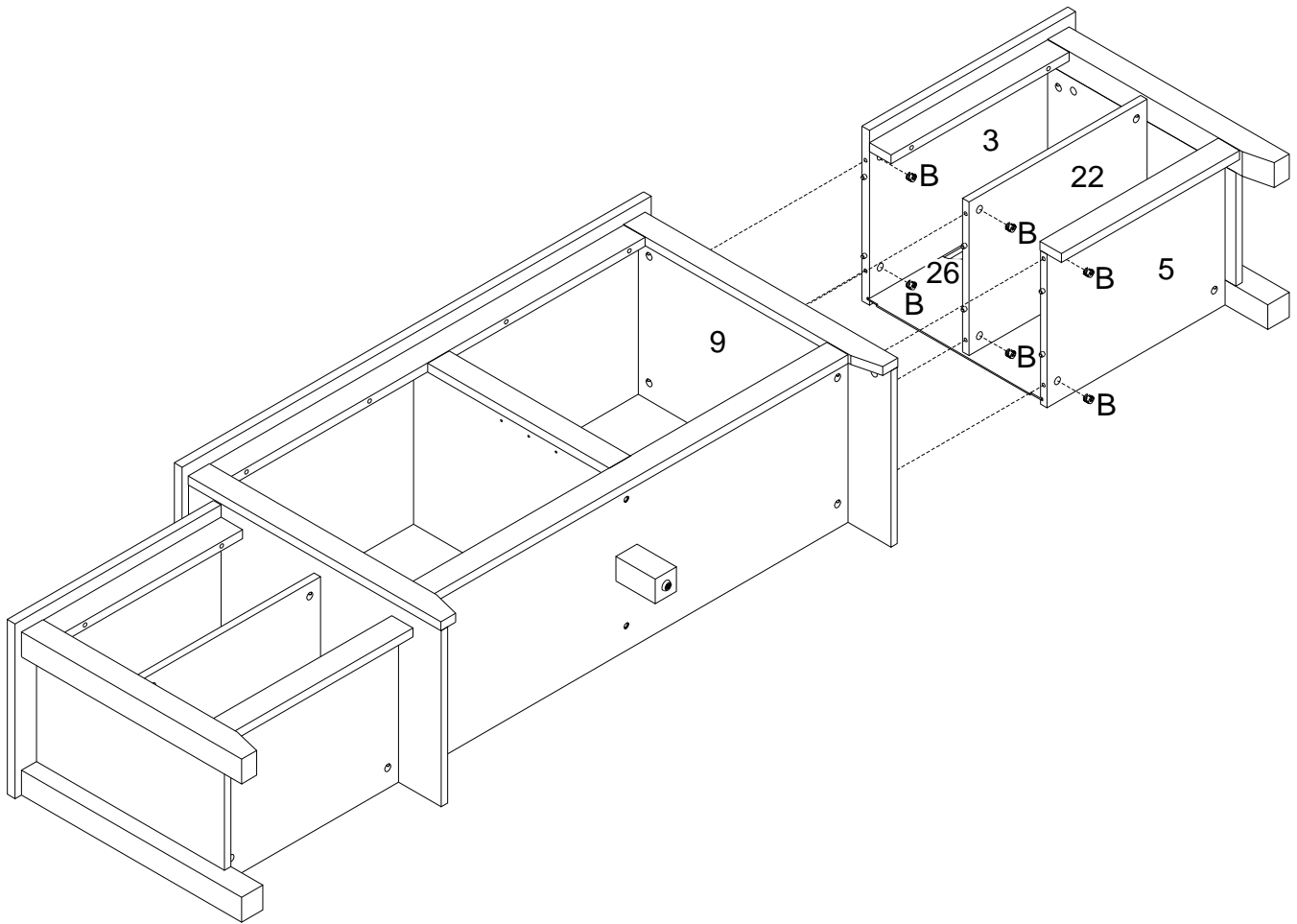
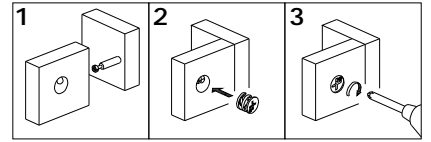
Put part (26) as per diagram.

Step 23



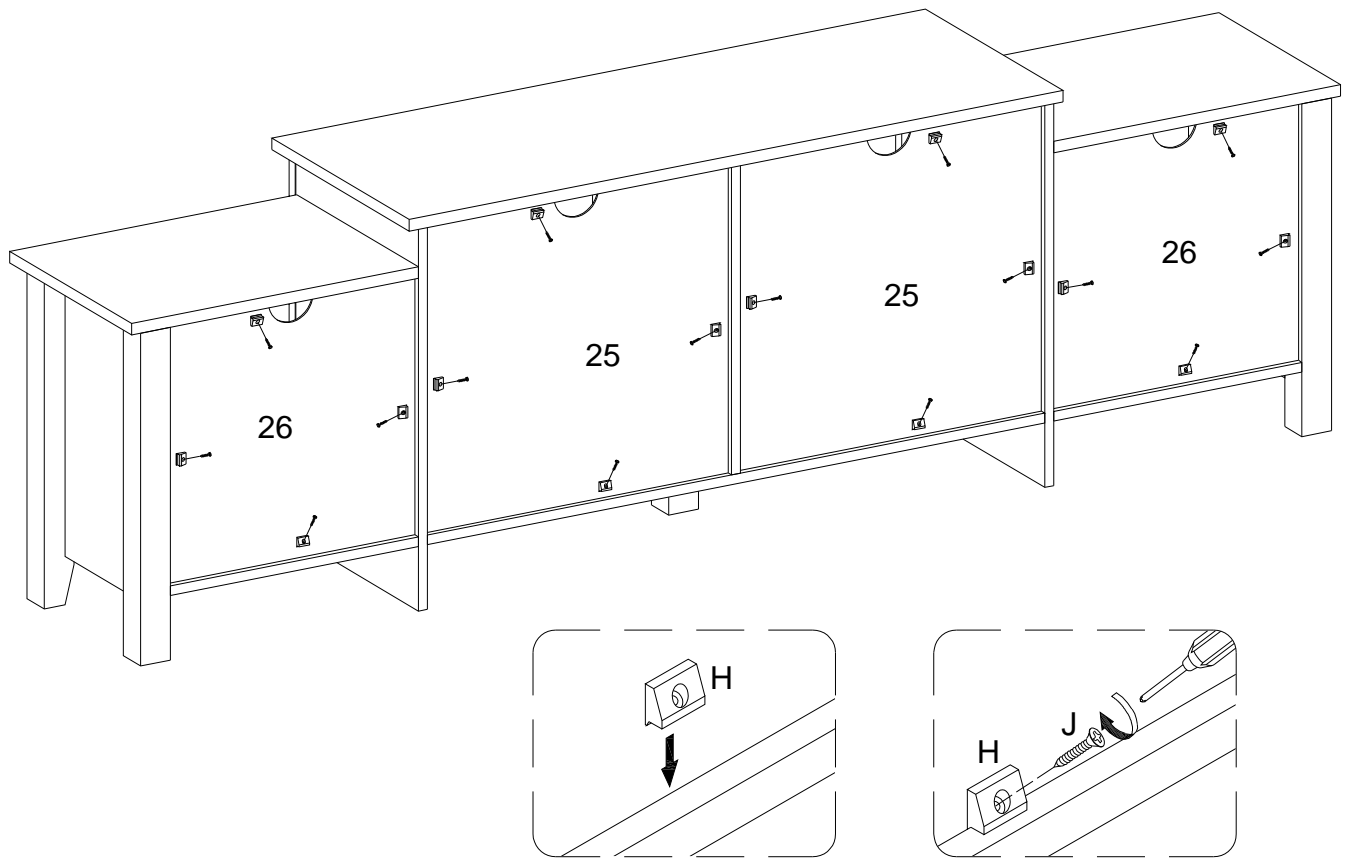
Using cam lock (B) secure part (7) to parts (2,5,22) with Philips head screwdriver as per diagram.

Step 24



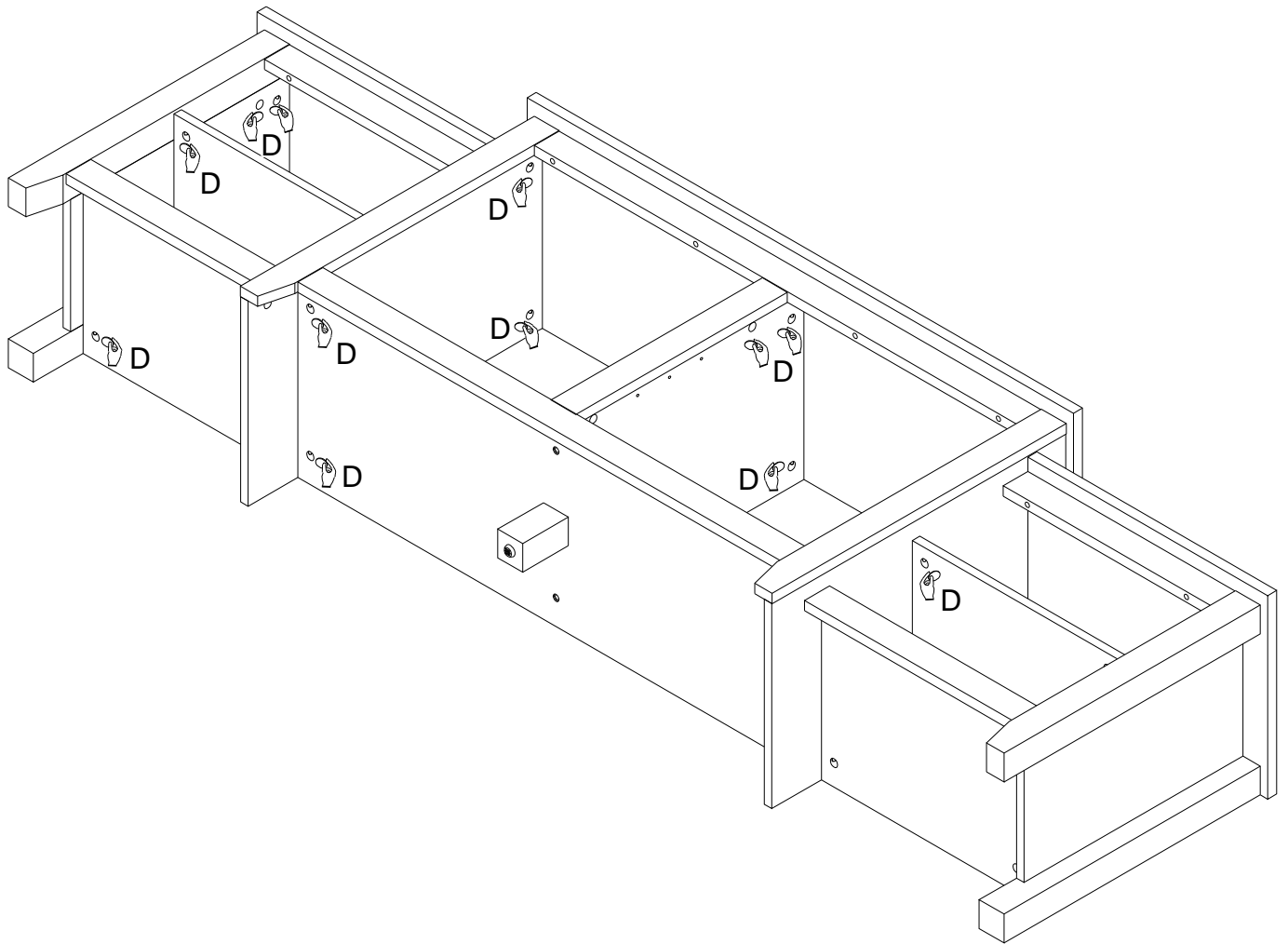
Using cam lock (B) secure part (9) to parts (3,5,22) with Philips head screwdriver as per diagram.

Step 25



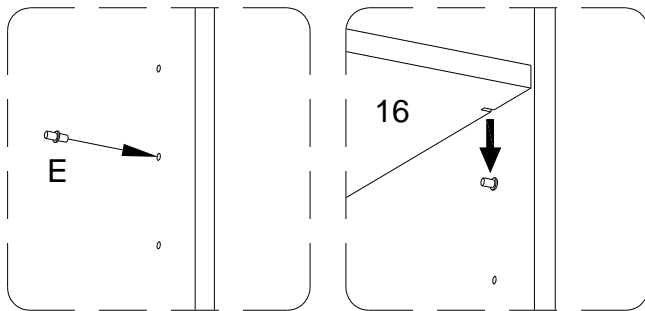
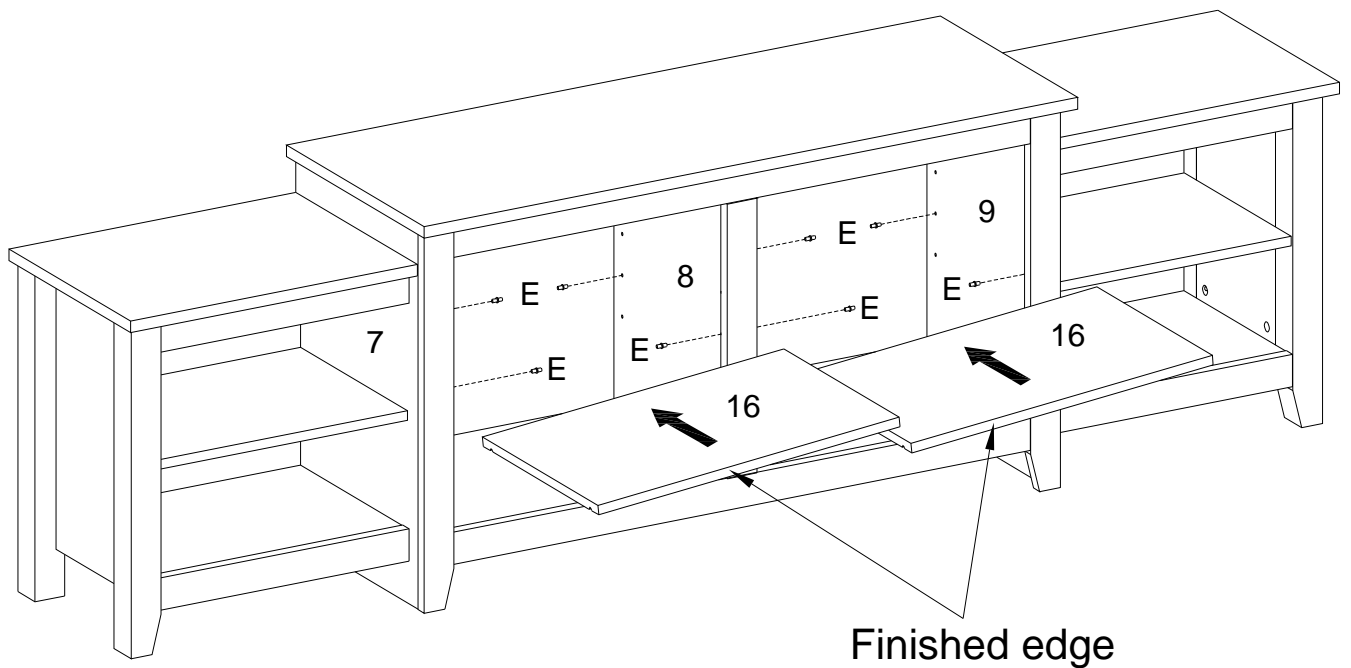
Using screw (J) secure plastic wedge (H) to parts (25,26) with Philips head screwdriver as per diagram.

Step 26



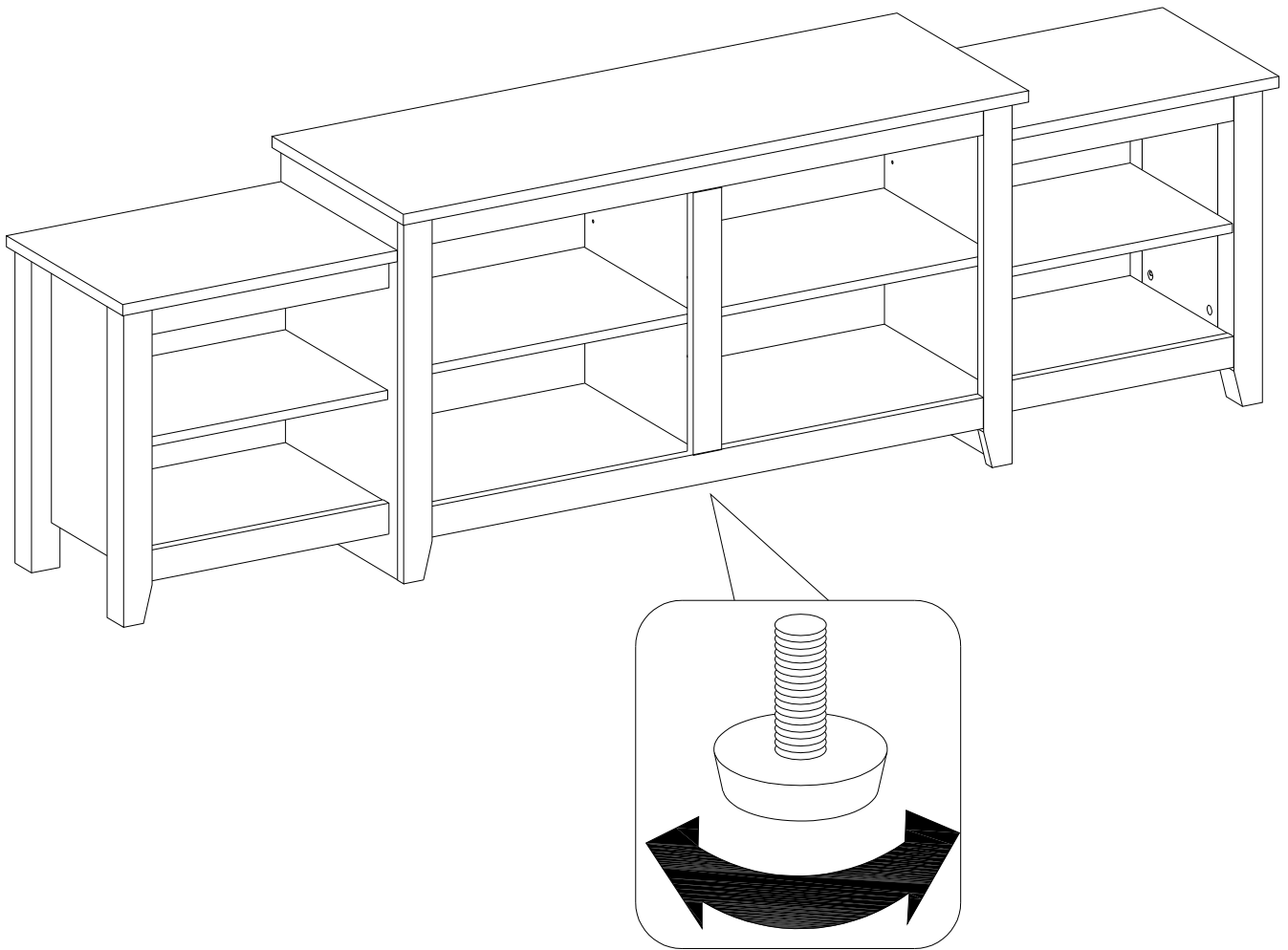
Place sticker (D) cover the holes as per diagram .

Step 27



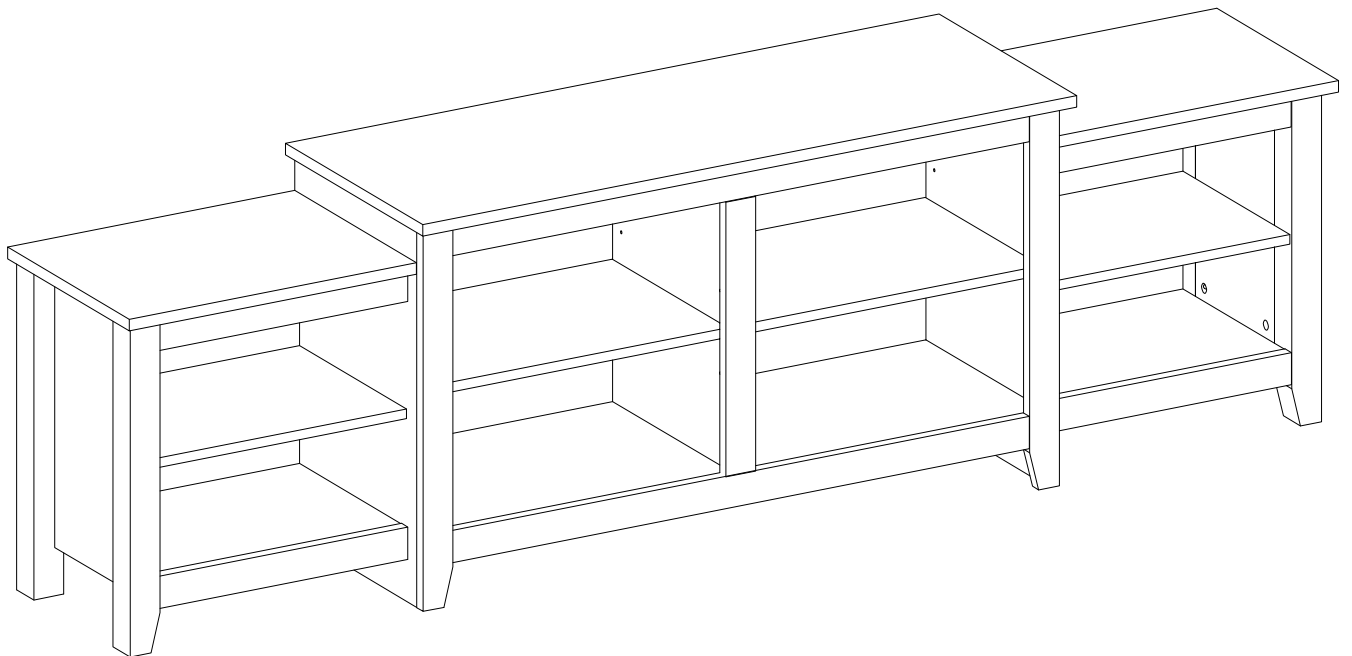
Insert shelf support pin (E) into parts (7,8,9) as per diagram. Make sure you place the shelf support pins (E) in the same level. So the shelf is not tilted .Put part (16) into unit as per diagram. Tilt and rest the adjustable shelf(16) onto the shelf support pins .

Step 28



Position the assembled unit at the desired location ,if necessary adjust the floor leveler at the bottom of the support leg to level the unit .

Step 29



Final Assembly