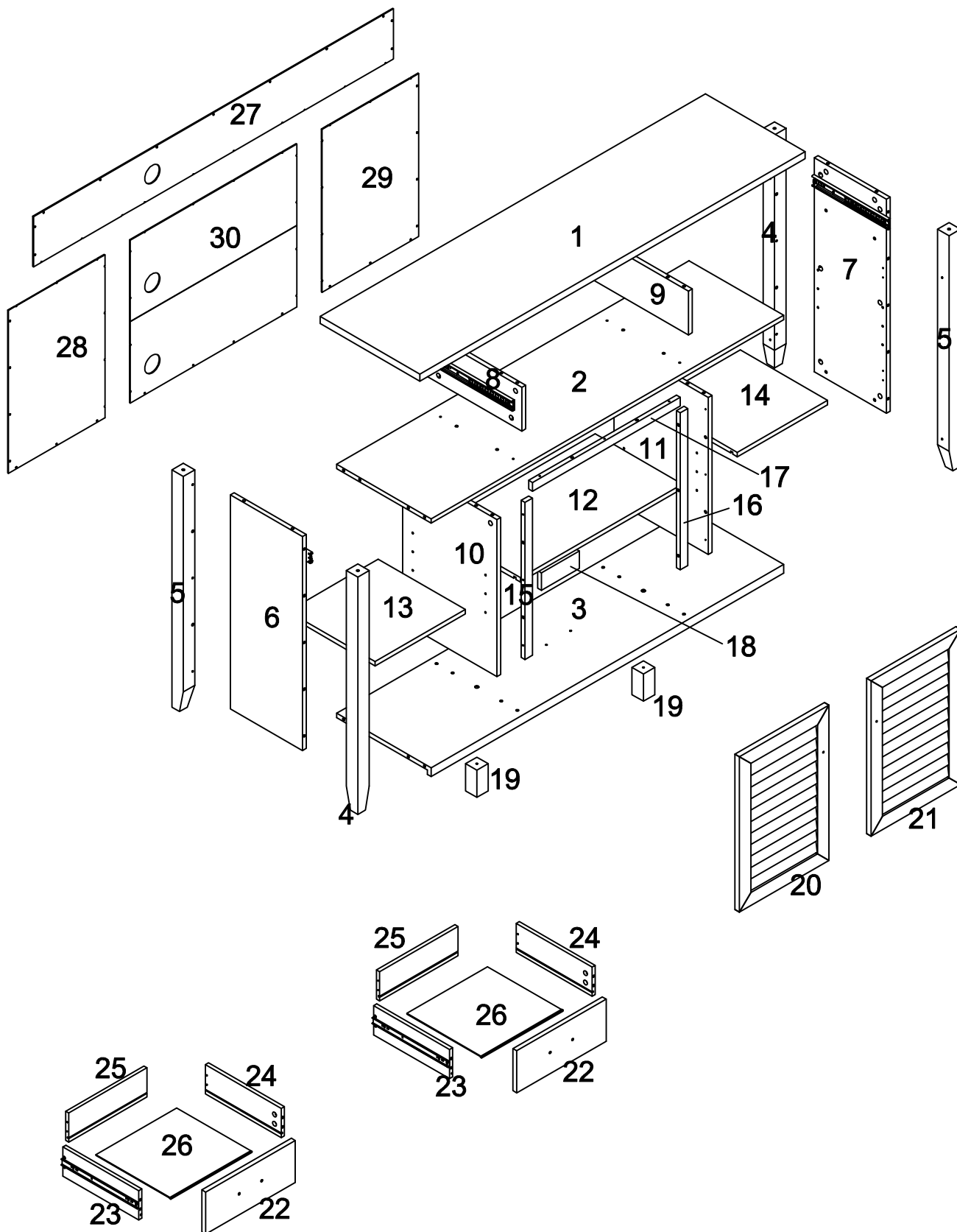


HOME SOURCE®






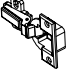

















ASSEMBLY INSTRUCTION
MODEL:TV9081 MOP



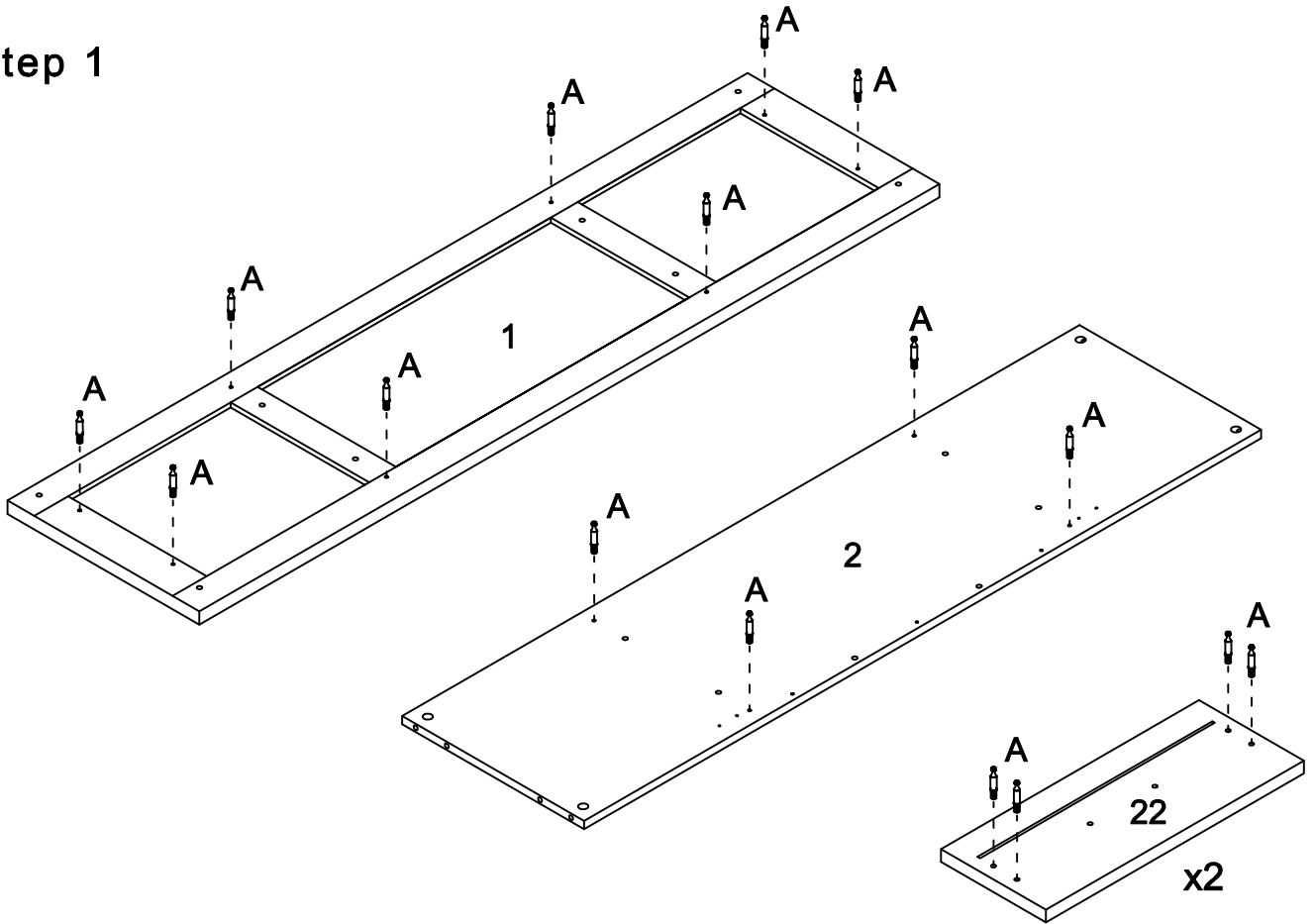
Parts List



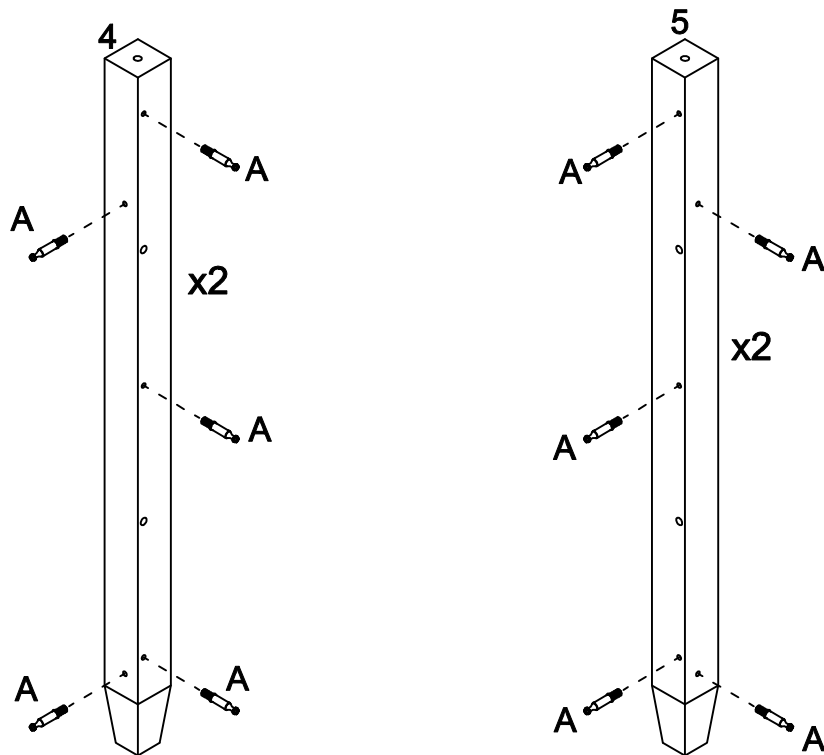
Hardware List

A		Ø5*25mm	Bolt	46 pcs
B		Ø15*11mm	Nut	38 pcs
C		Ø15*9mm	Nut	8 pcs
D		Ø8*30mm	Wood Dowel	42 pcs
E		Ø5*16mm	Shelf Support	12 pcs
F		Ø26mm	Hinge	4 pcs
G		Ø4*15mm	Screw	16 pcs
H		44x16x12mm	Magnet	2 pcs
I		Ø3.5*15mm	Screw	4 pcs
J		30x22x1mm	Iron Sheet	2 pcs
K		Ø2*12mm	Screw	2 pcs
L		Ø6*50mm	Bolt	6 pcs
M		M4	Allen Key	1 pc
N		Ø4*35mm	Screw	9 pcs
O		Ø31*25mm	Handle	2 pcs
P		108*40*20mm	Handle	2 pcs
Q		Ø4*24mm	Bolt	2 pcs
R		Ø4*12mm	Bolt	4 pcs
S		Ø4*30mm	Screw	8 pcs
T		Ø3*15mm	Screw	47 pcs
U			Glue	1 pc
V			Paper Cover	10 pcs
W			Anti-Tipping Kit	2 sets

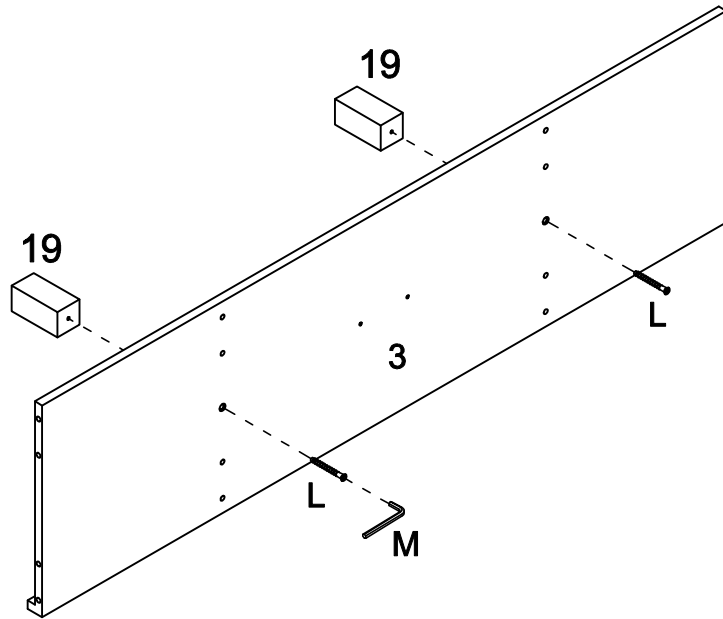
Step 1



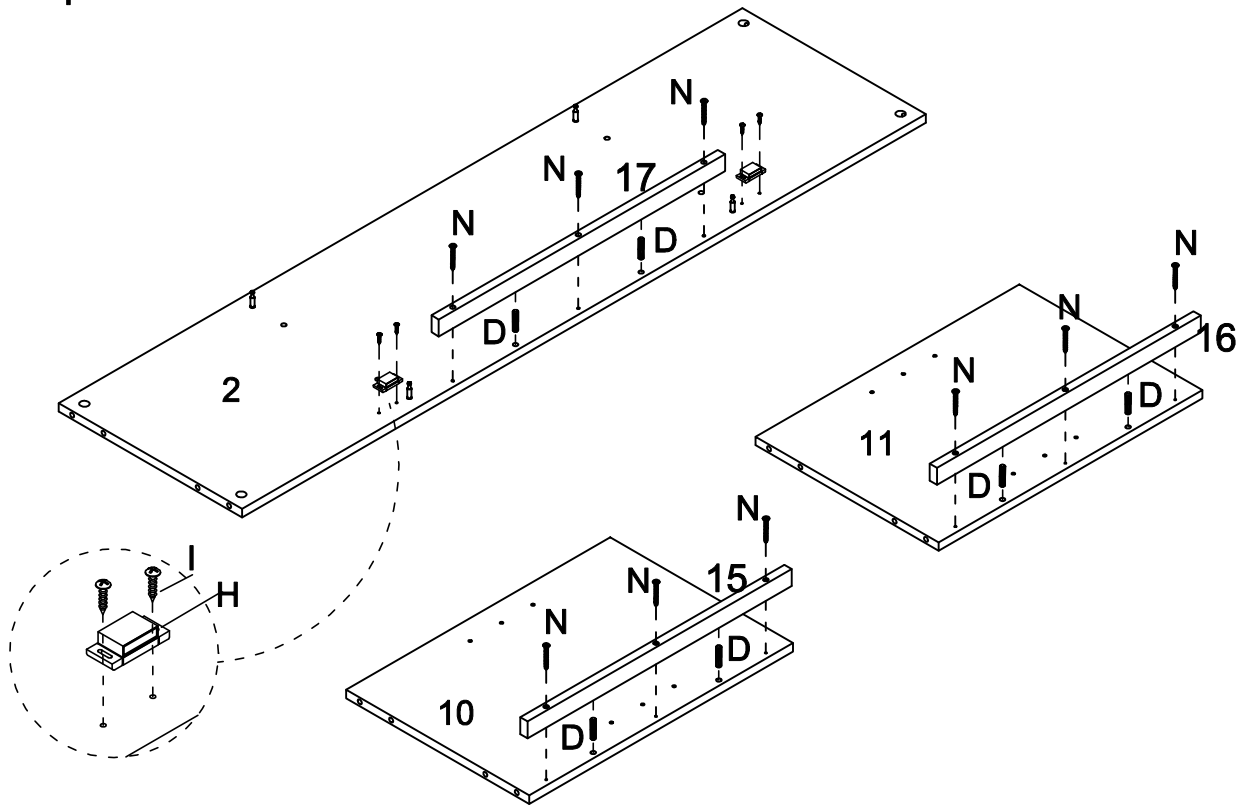
Step 2



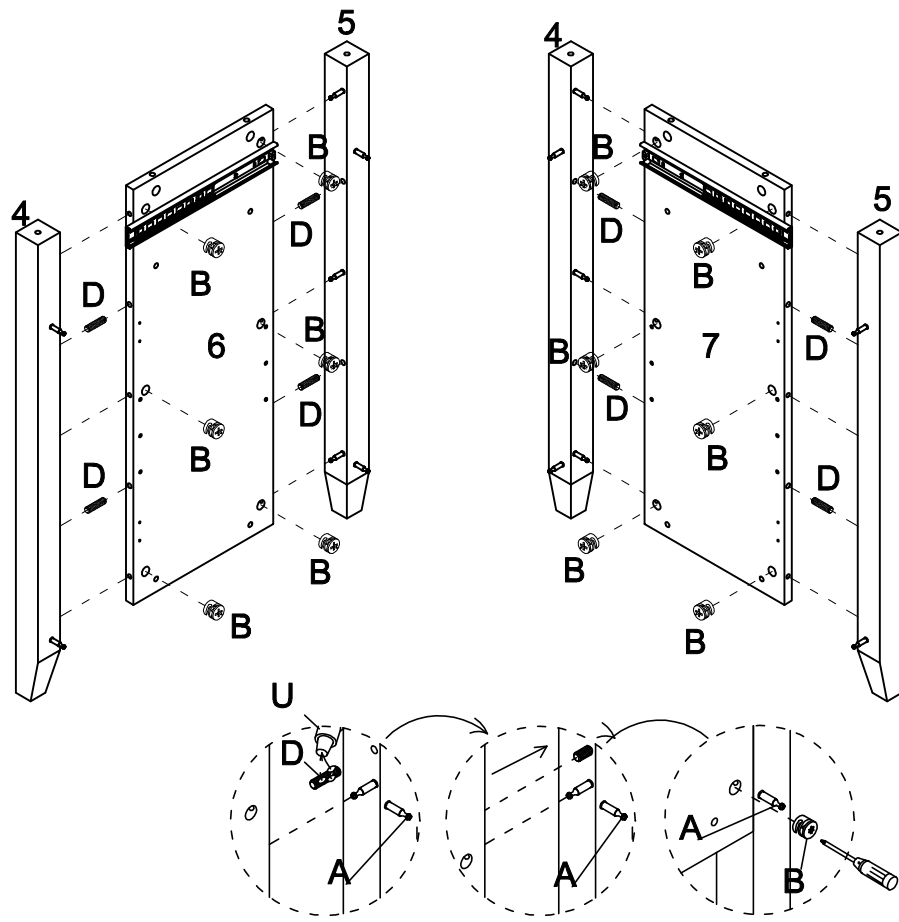
Step 3



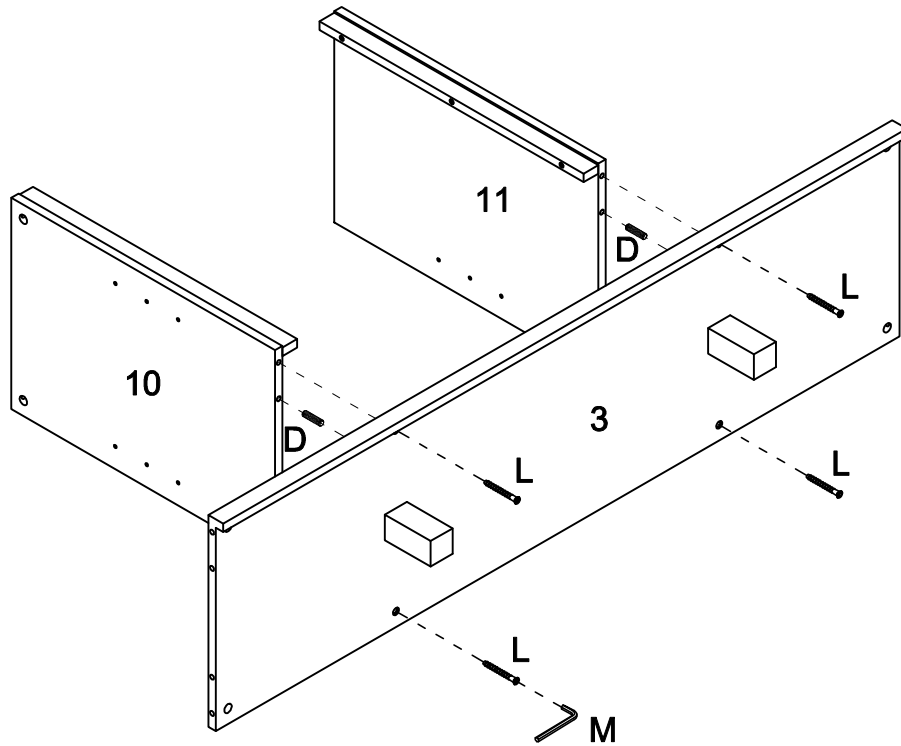
Step 4



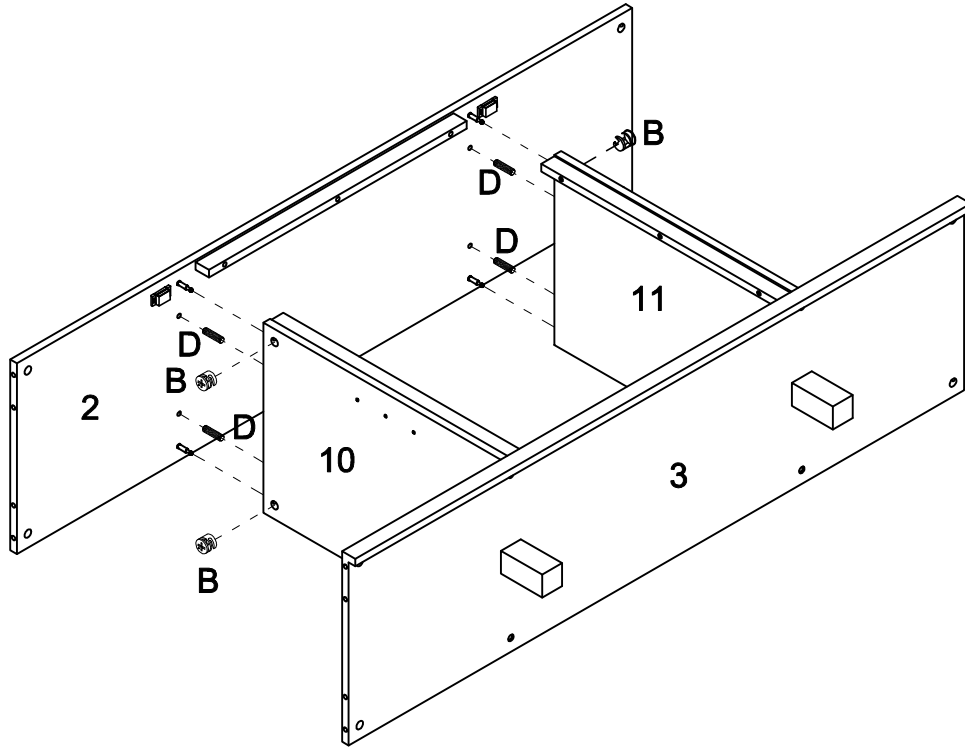
Step 5



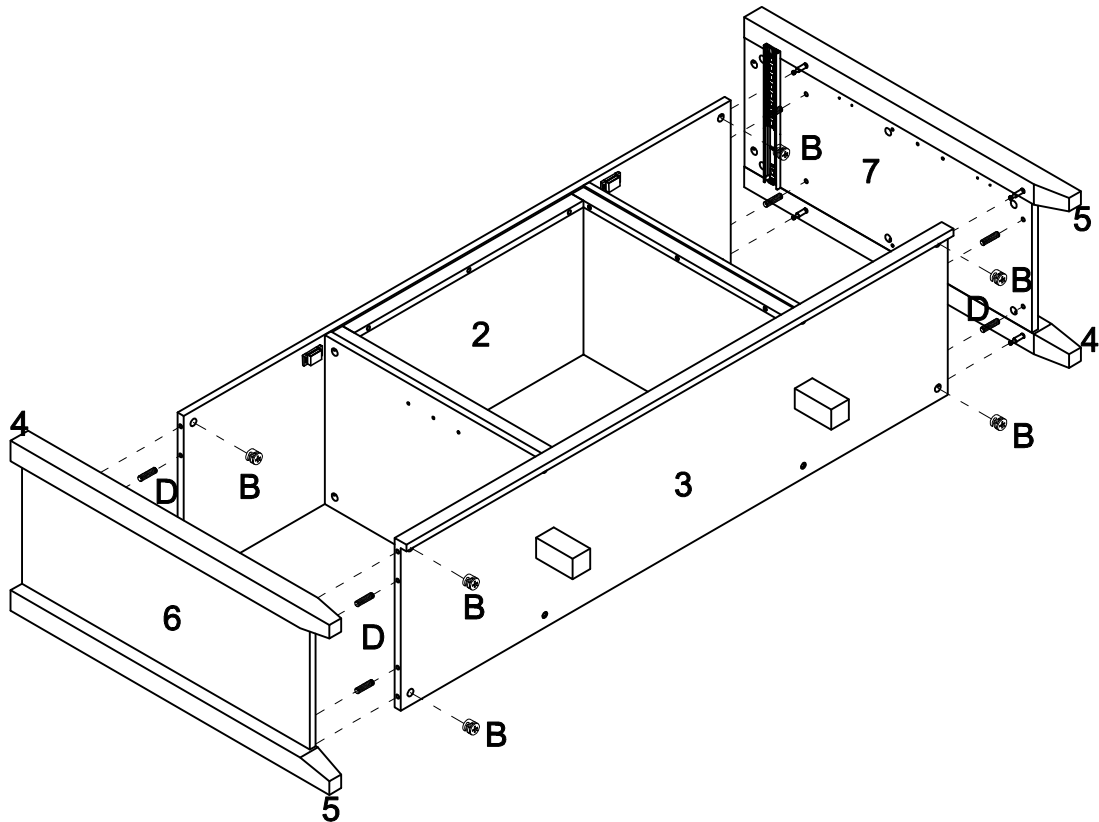
Step 6



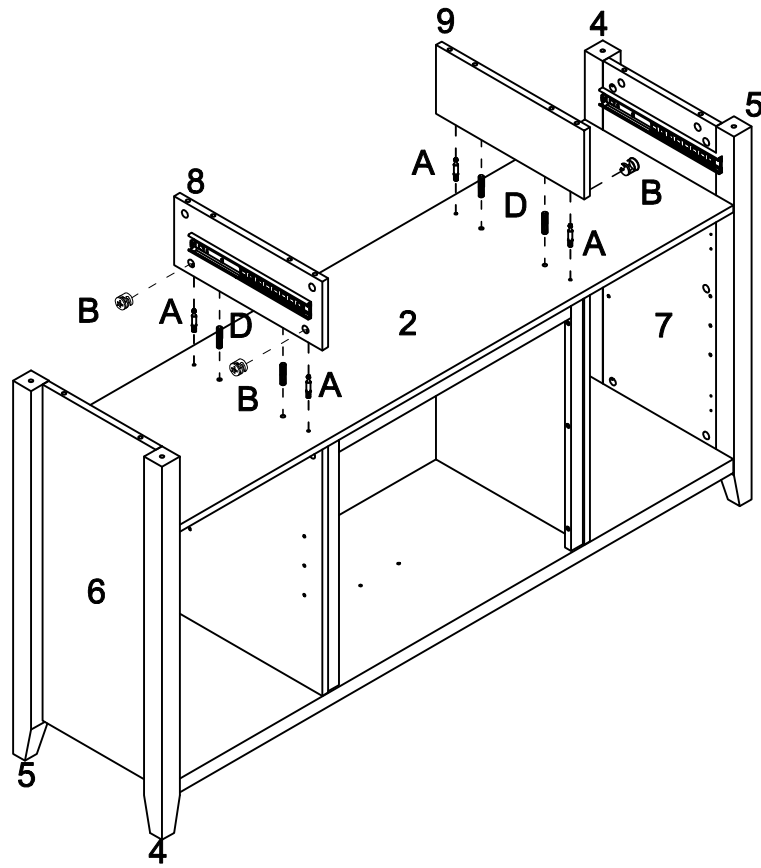
Step 7



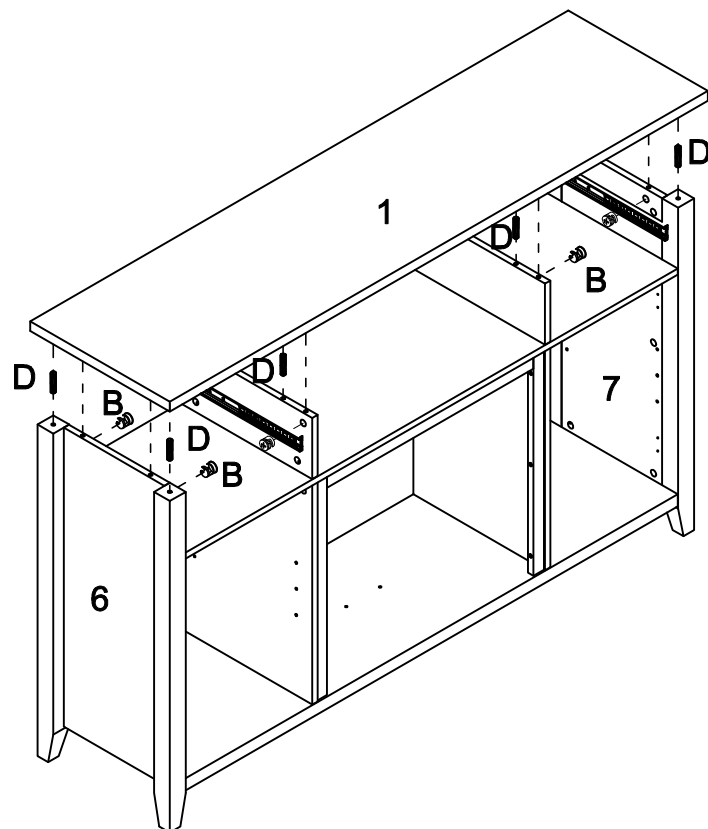
Step 8



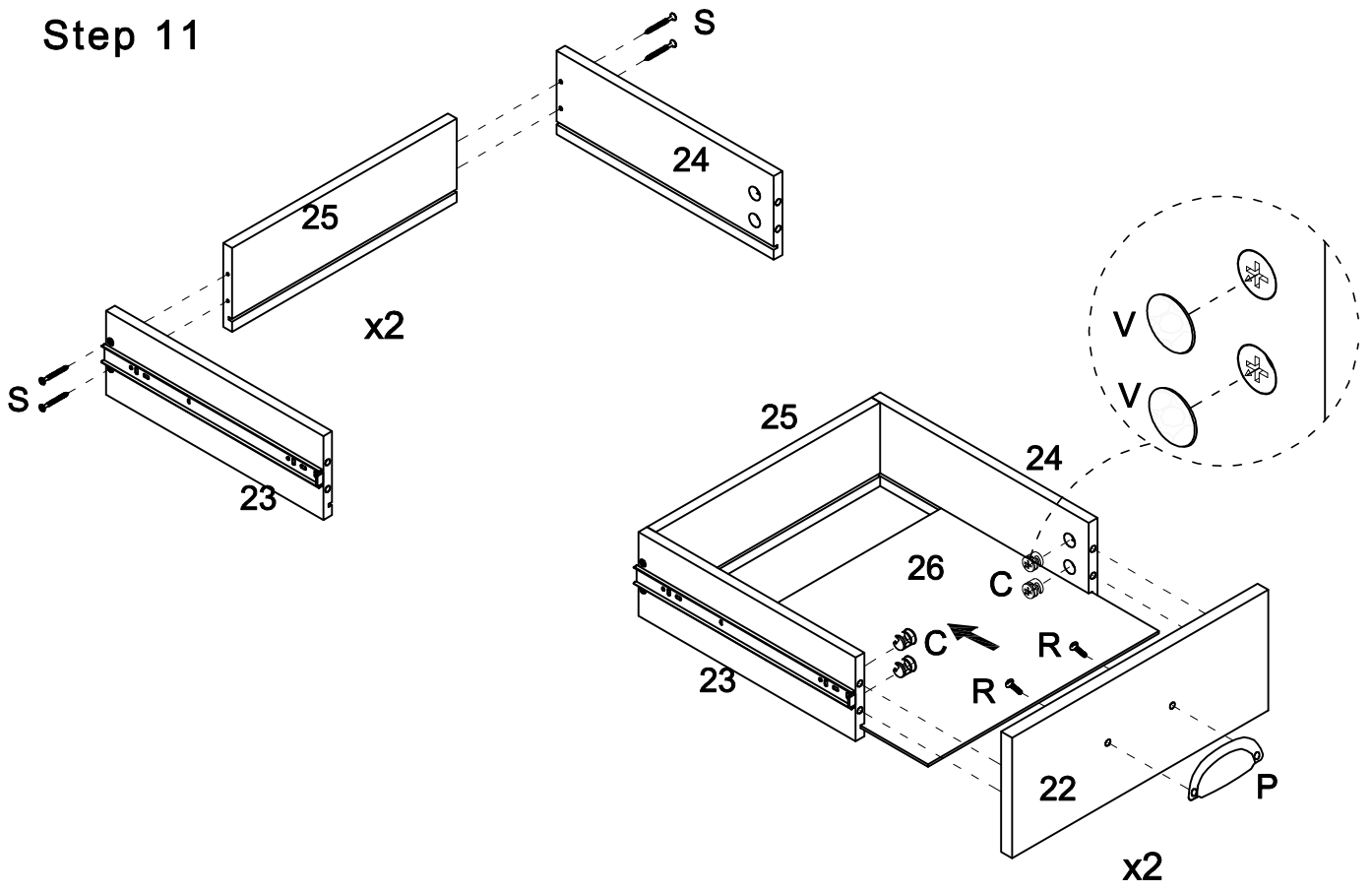
Step 9



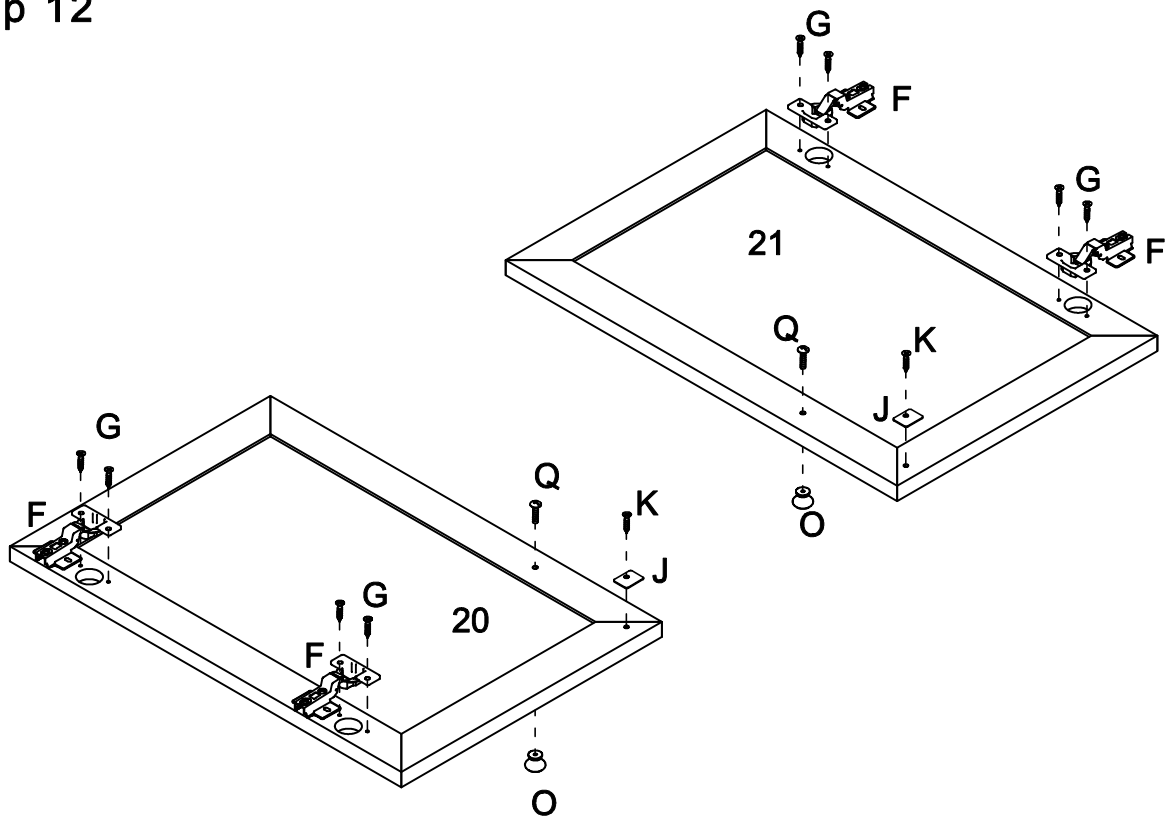
Step 10



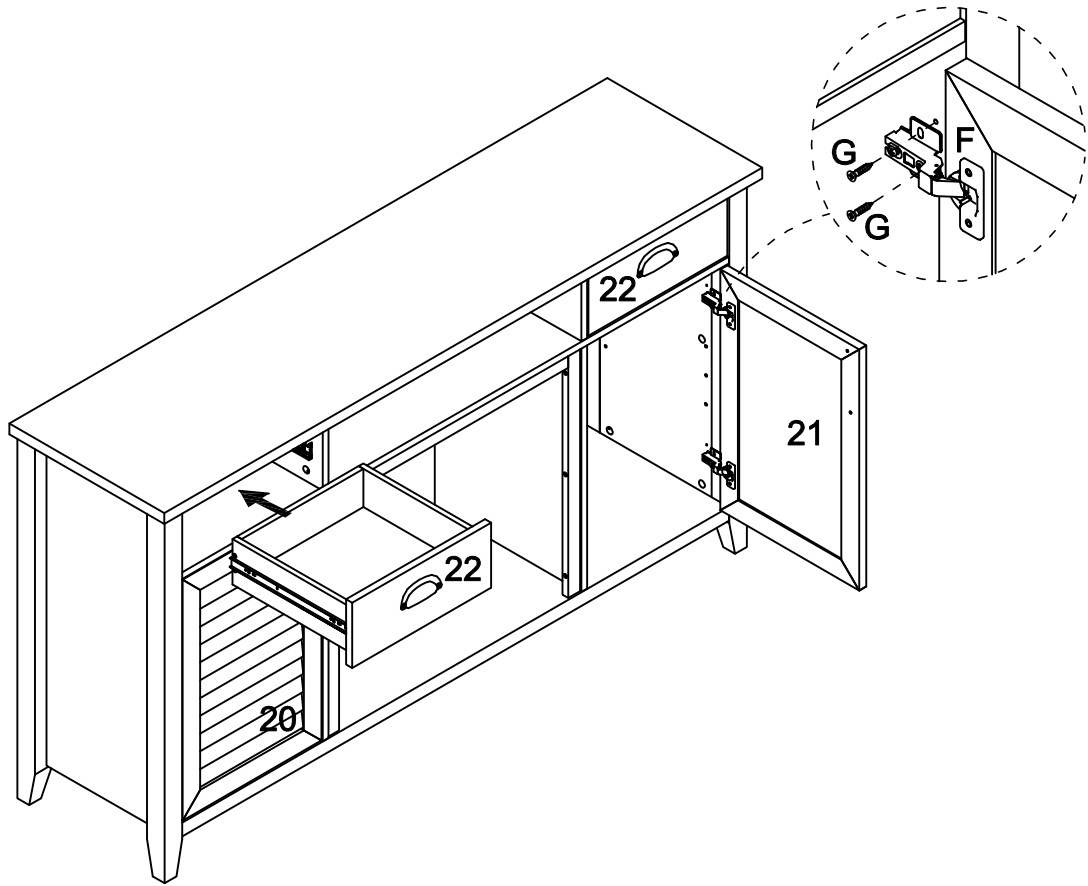
Step 11



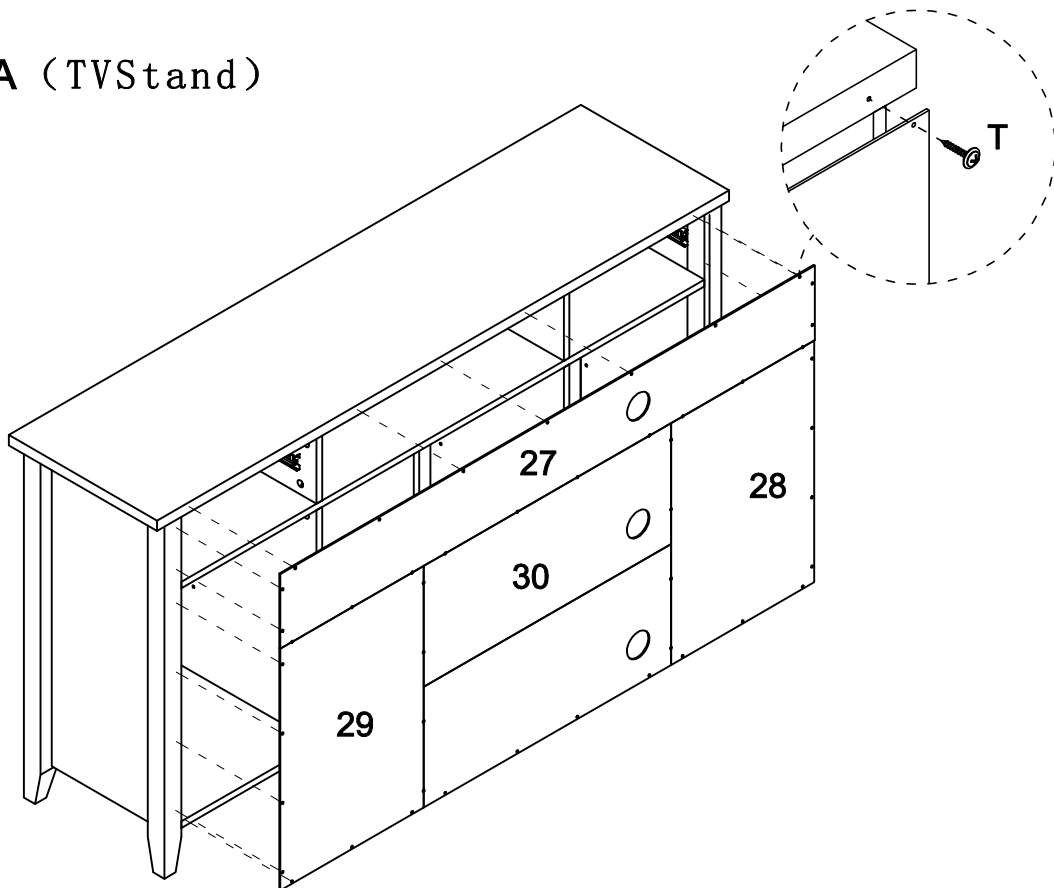
Step 12



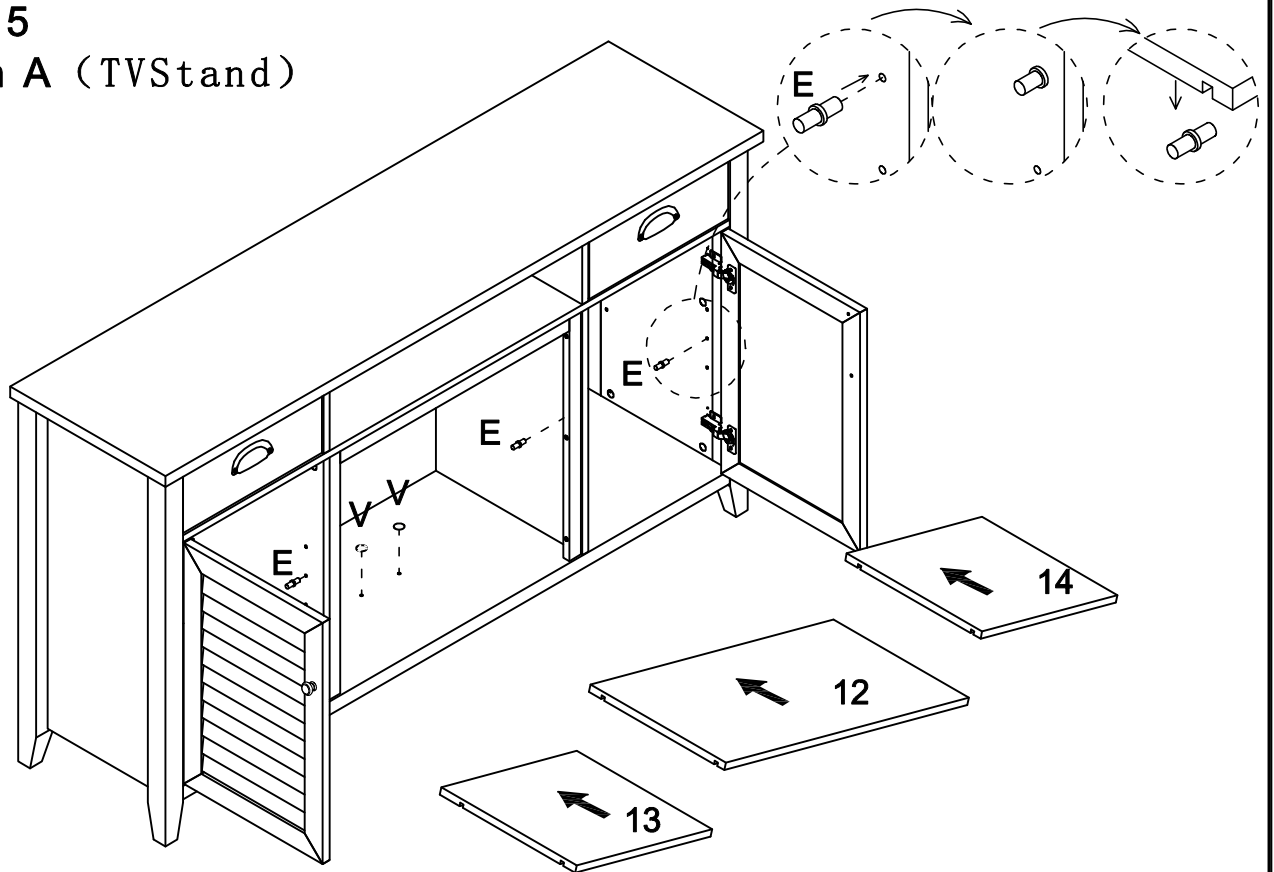
Step 13



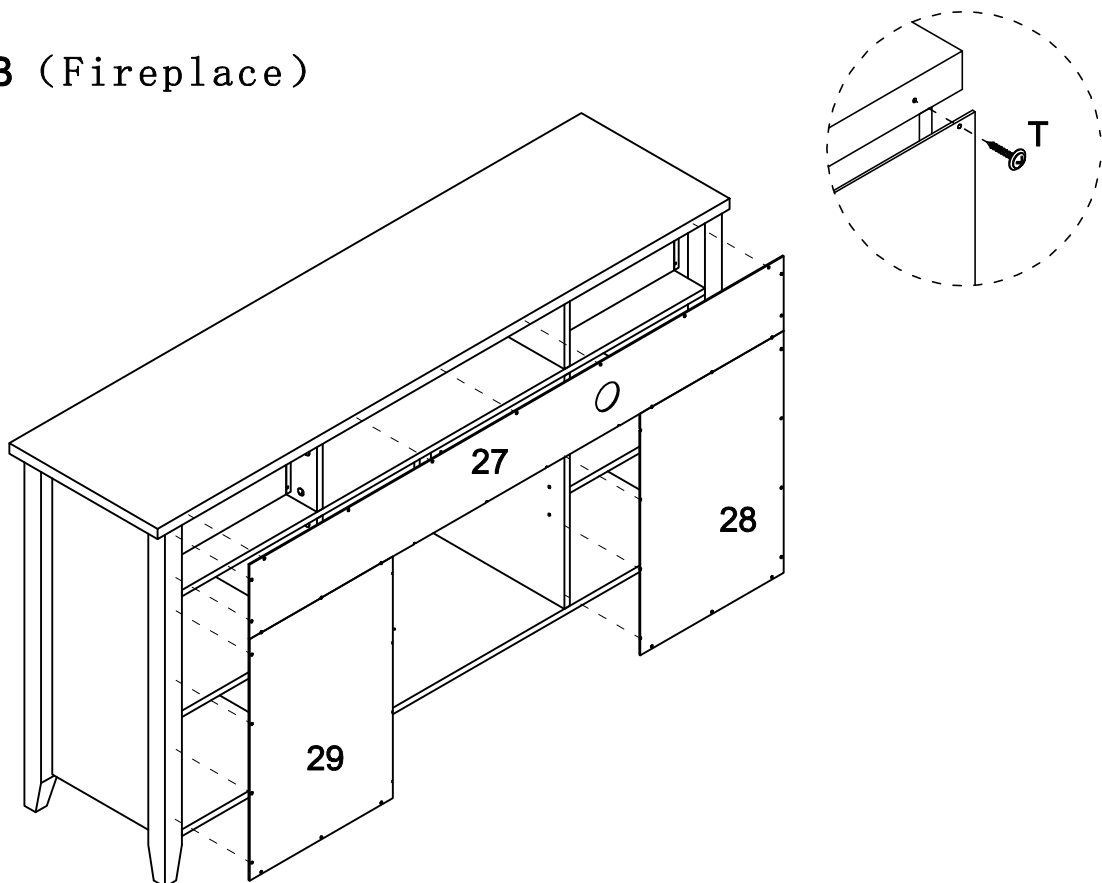
Step 14 Option A (TVStand)



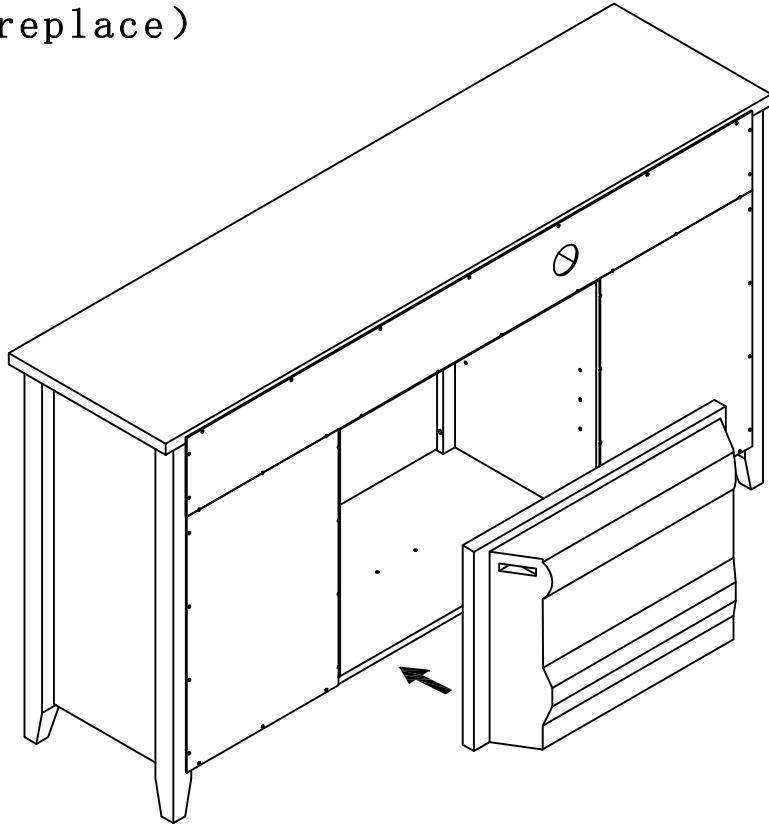
Step 15
Option A (TVStand)



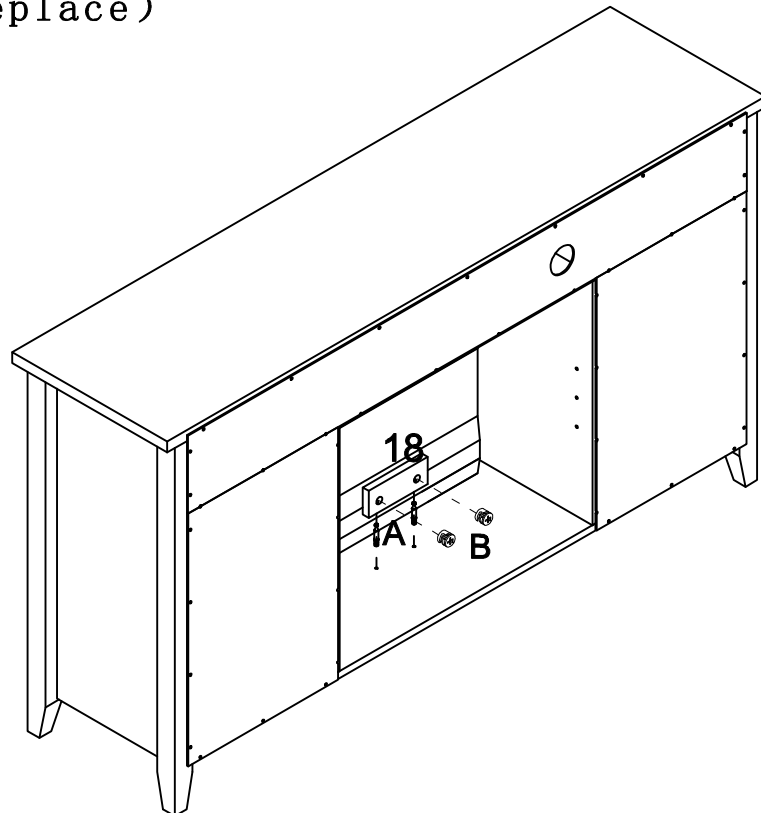
Step 16
Option B (Fireplace)



Step 17
Option B (Fireplace)



Step 18
Option B (Fireplace)



Step 19

