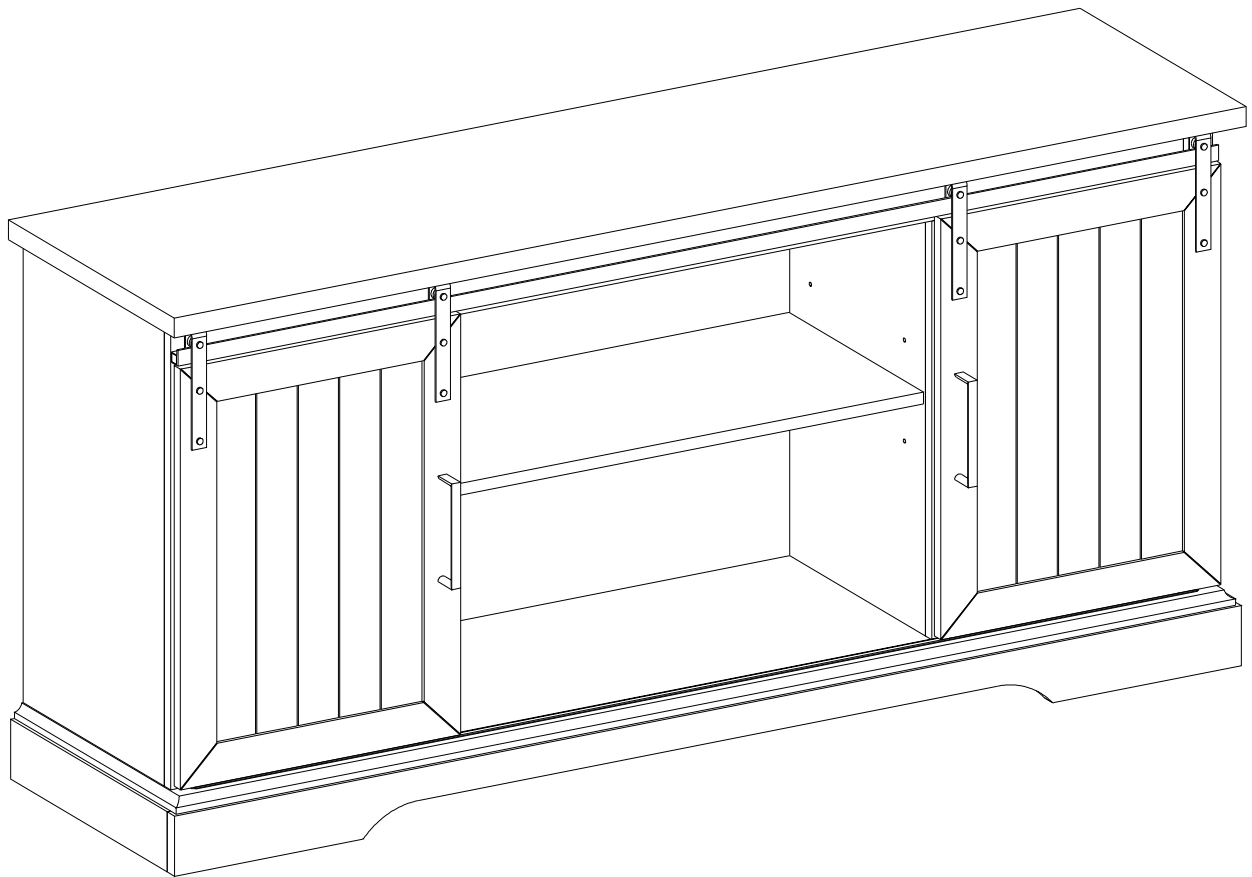


# Item # : W58SGRD

## Assembly Instructions



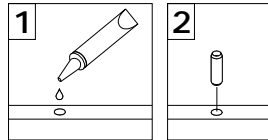
Walker Edison®

Please visit our website for the most current instructions, assembly tips, report damage, or request parts. [www.walkeredison.com](http://www.walkeredison.com)

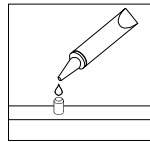
Revised 27/05/2019 (E)

# General Assembly Guidelines

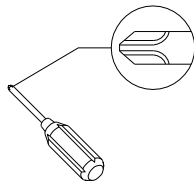
- I. Ensure that all parts and hardware are available before beginning assembly.
- II. Follow each step carefully to ensure the proper assembly of this product.
- III. Two people are recommended for ease in the assembly of this product.
- IV. The three main types of hardware used to assemble this product are: wood dowels, screws and bolts.
- V. The provided glue is to secure wood dowels in place. When first inserting dowels, locate the appropriate hole for the dowel, place a small amount of glue in the hole and insert the dowel. Wipe away excess glue immediately.



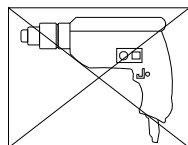
In future assembly steps when dowels are necessary to attach assembly parts together, place a small amount of glue on the end of the dowel before attaching parts together. Wipe away excess glue immediately.



- VI. A Phillips head screwdriver is required for the assembly of this product.

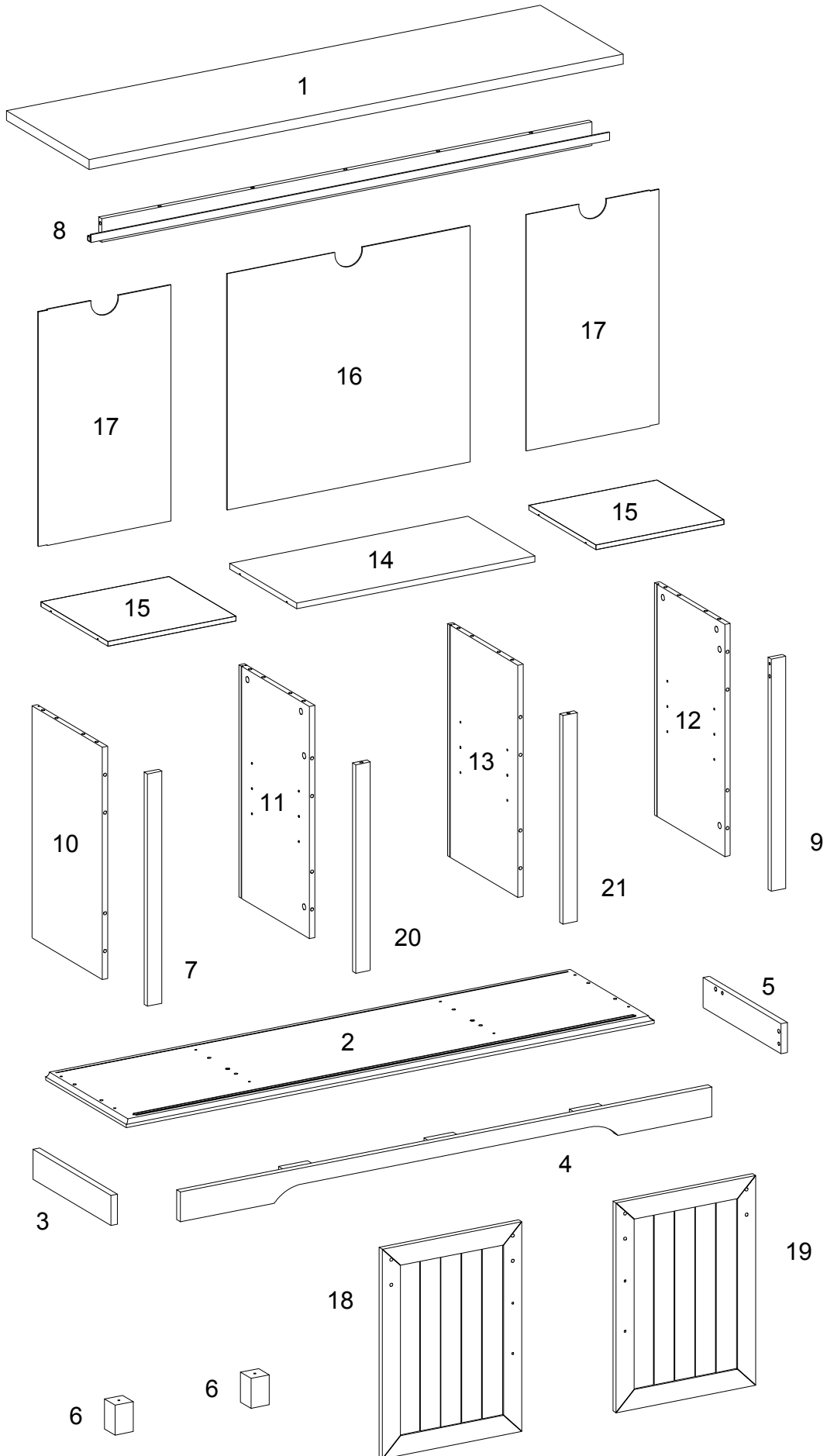


- VII. Power tools should not be used to assemble this product.



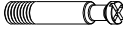

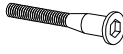


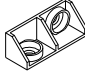
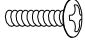
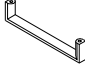

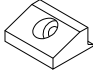

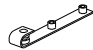
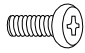


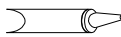


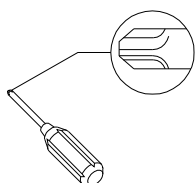
- VIII. Drill may be needed for securing product to wall.

# Parts List



# Hardware List

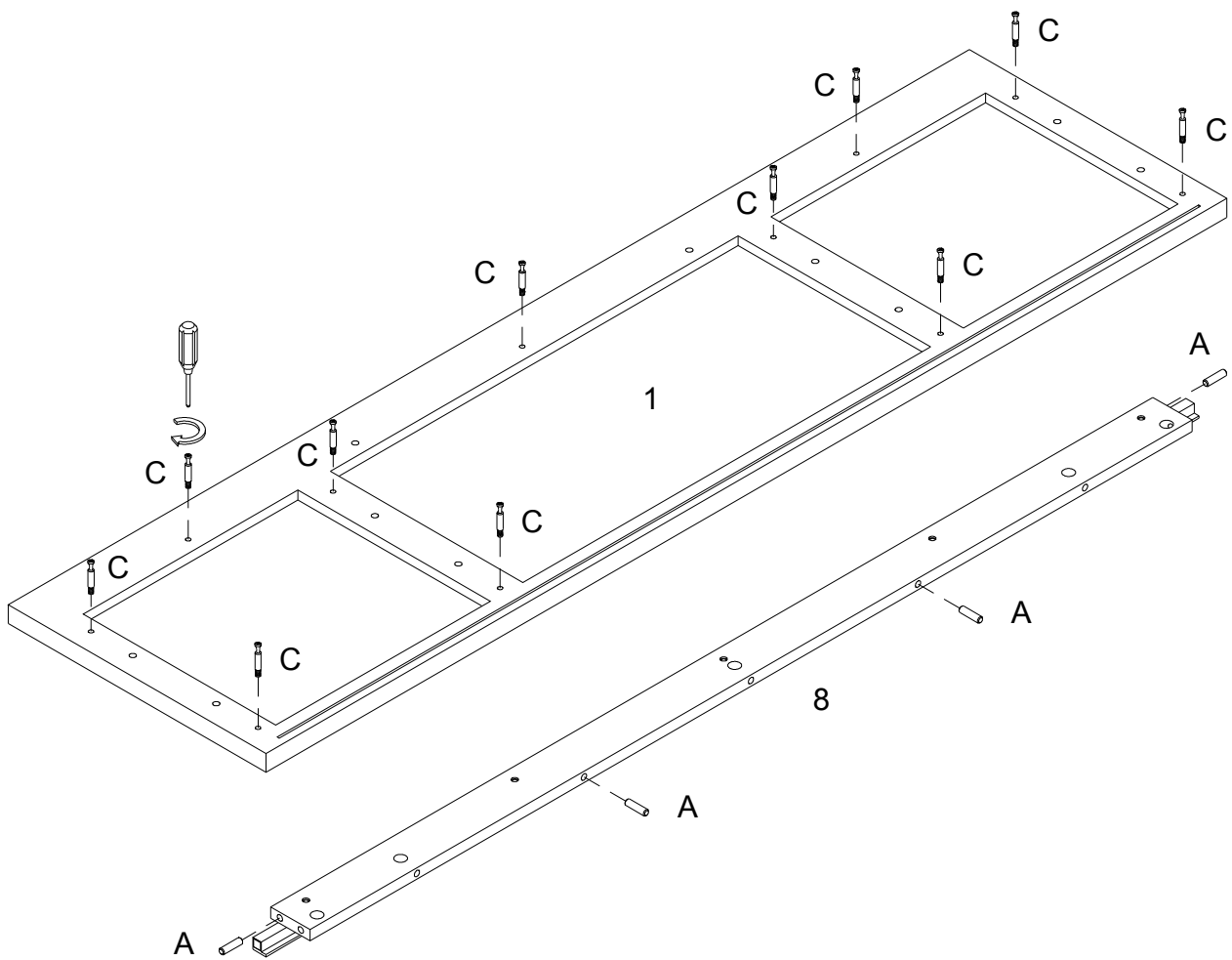
A		Ø8x30mm	Wooden dowel	30 pcs
B		Ø15x11mm	Cam lock	21 pcs
C		Ø6x35mm	Cam bolt	21 pcs
D		Ø30mm	Sticker	21 pcs
E		Ø6x50mm	Bolt	10 pcs
F		M 4	Hex Key	1 pc
G		Ø6x12mm	Bolt	14 pcs
J		56x27x27mm	Connector	7 pcs
K		Ø4x22mm	Bolt	4 pcs
L			Handle	2 pcs
M		Ø3x17mm	Screw	12 pcs
N			Plastic wedge	12 pcs
P			Shelf support pin	12 pcs
Q			Pulley	4 pcs
R		Ø6x12mm	Bolt	8 pcs
S			Plate	4 pcs
T		Ø4x12mm	Screw	8 pcs
U			Glue tube	1 pc



Philips head screwdriver required for assembly  
(not included)

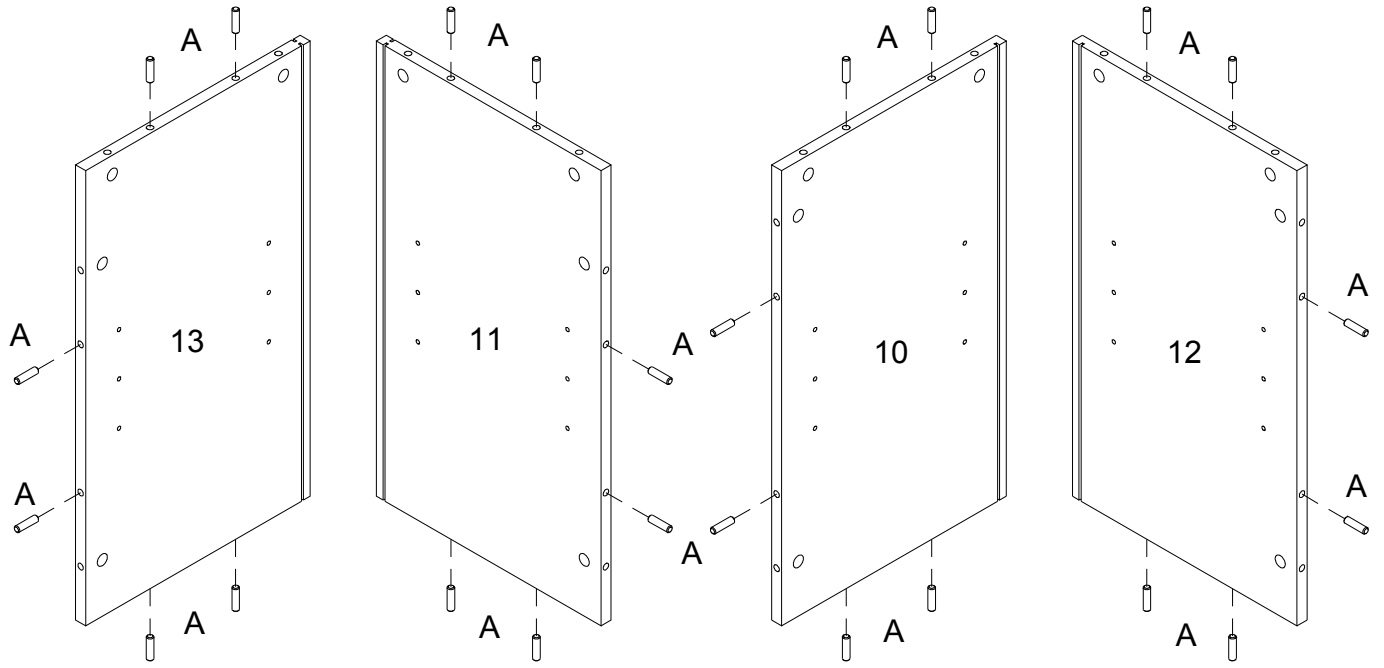
*The hardware quantities listed above are required for proper assembly.  
Some extra hardware may also have been included.*

# Step 1



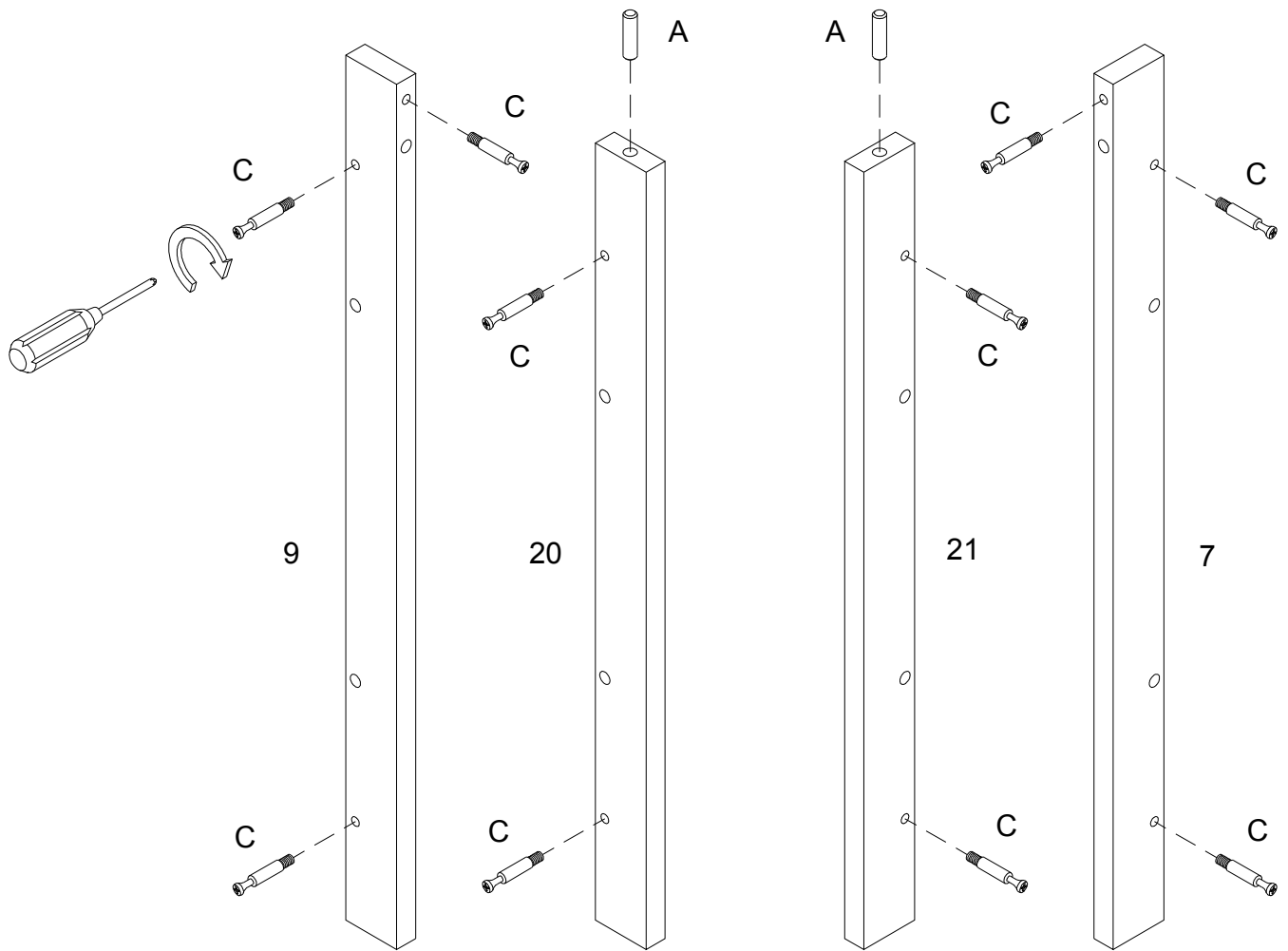
Insert wooden dowel (A) to part (8) ,using cam bolt (C) secure part (1) with Philips head screwdriver as per diagram.

# Step 2



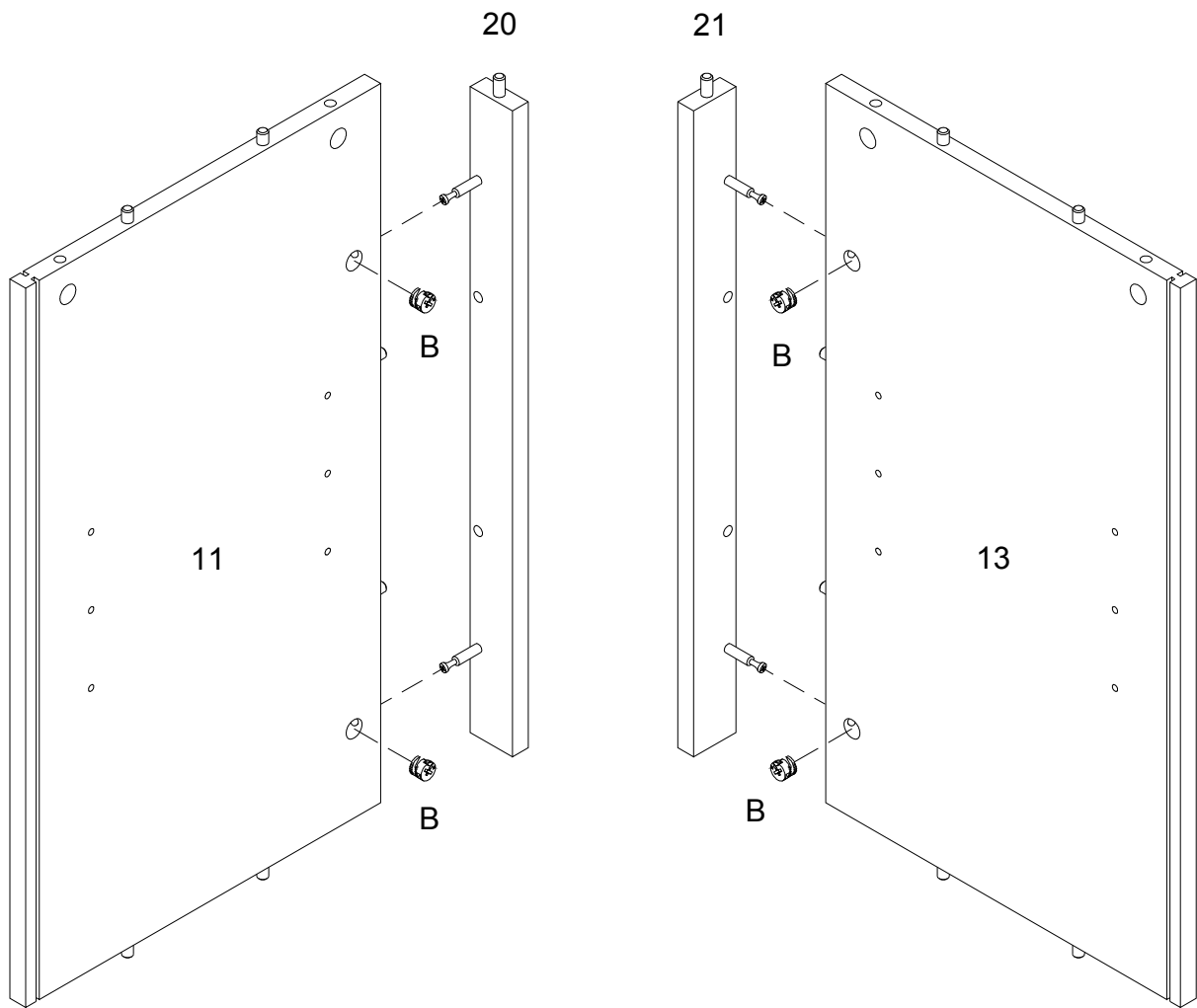
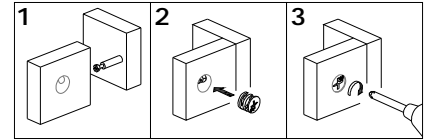
Insert wooden dowel (A) to parts (10,11,12,13) .

# Step 3



Insert wooden dowel (A) to parts (20,21). using cam bolt (C) secure parts (7,9,20,21) with Philips head screwdriver as per diagram.

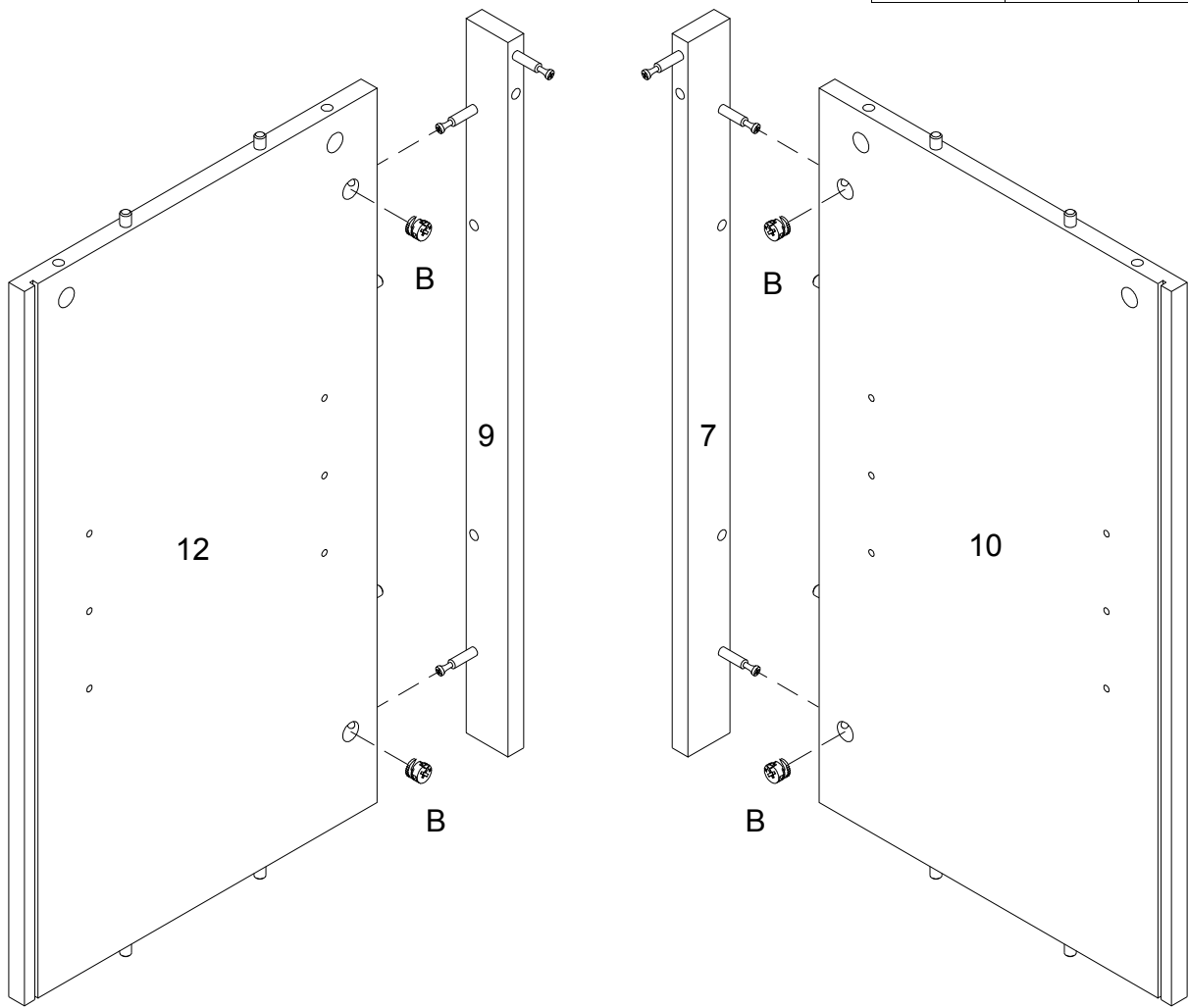
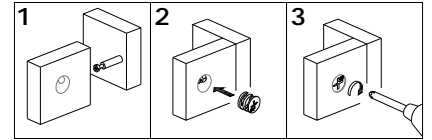
# Step 4



Using cam lock (B) secure parts (11,13) to parts (20,21) with Philips head screwdriver as per diagram.

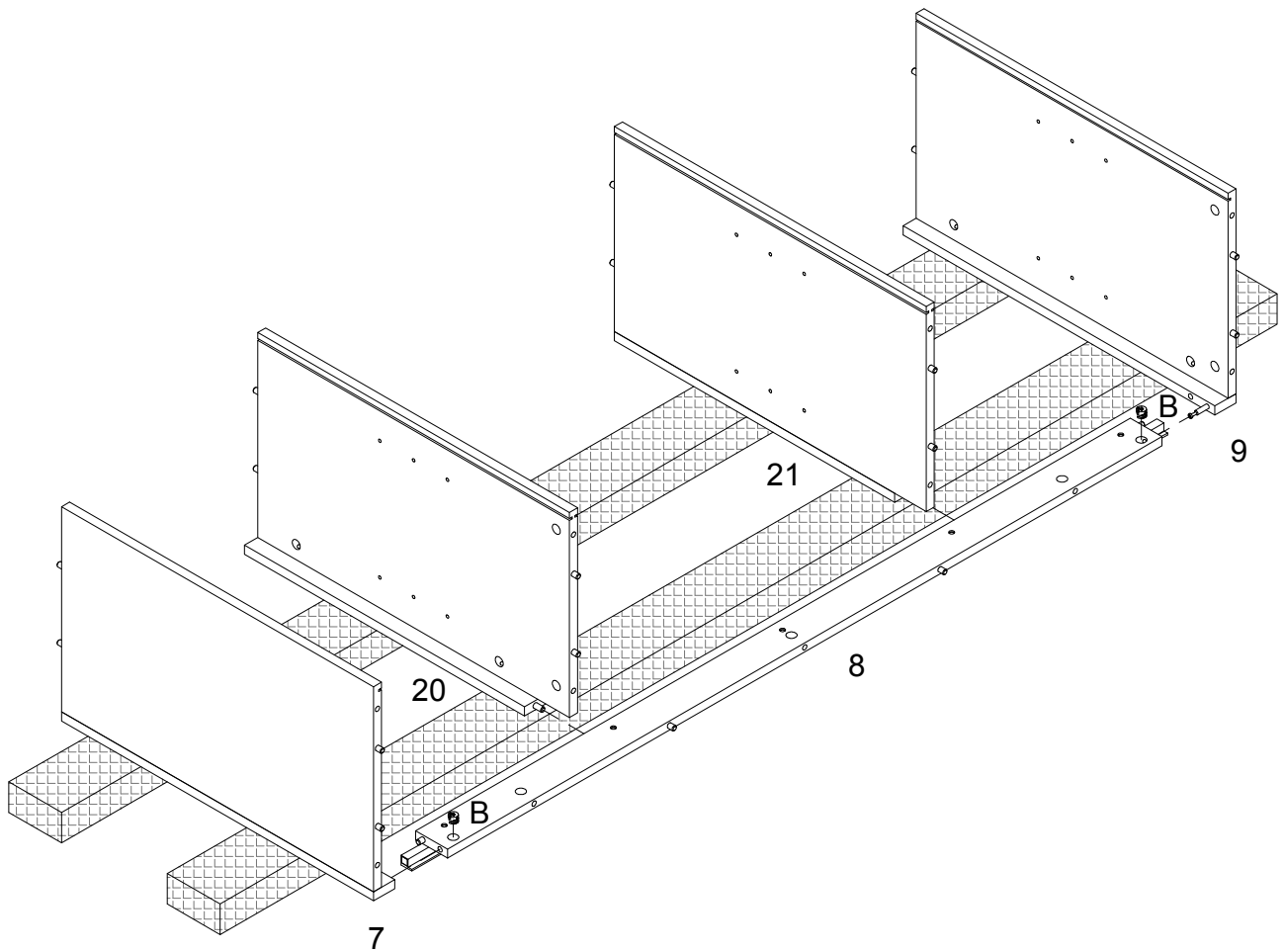
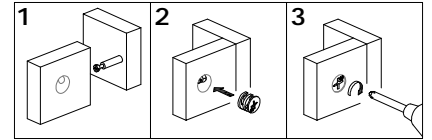


# Step 5



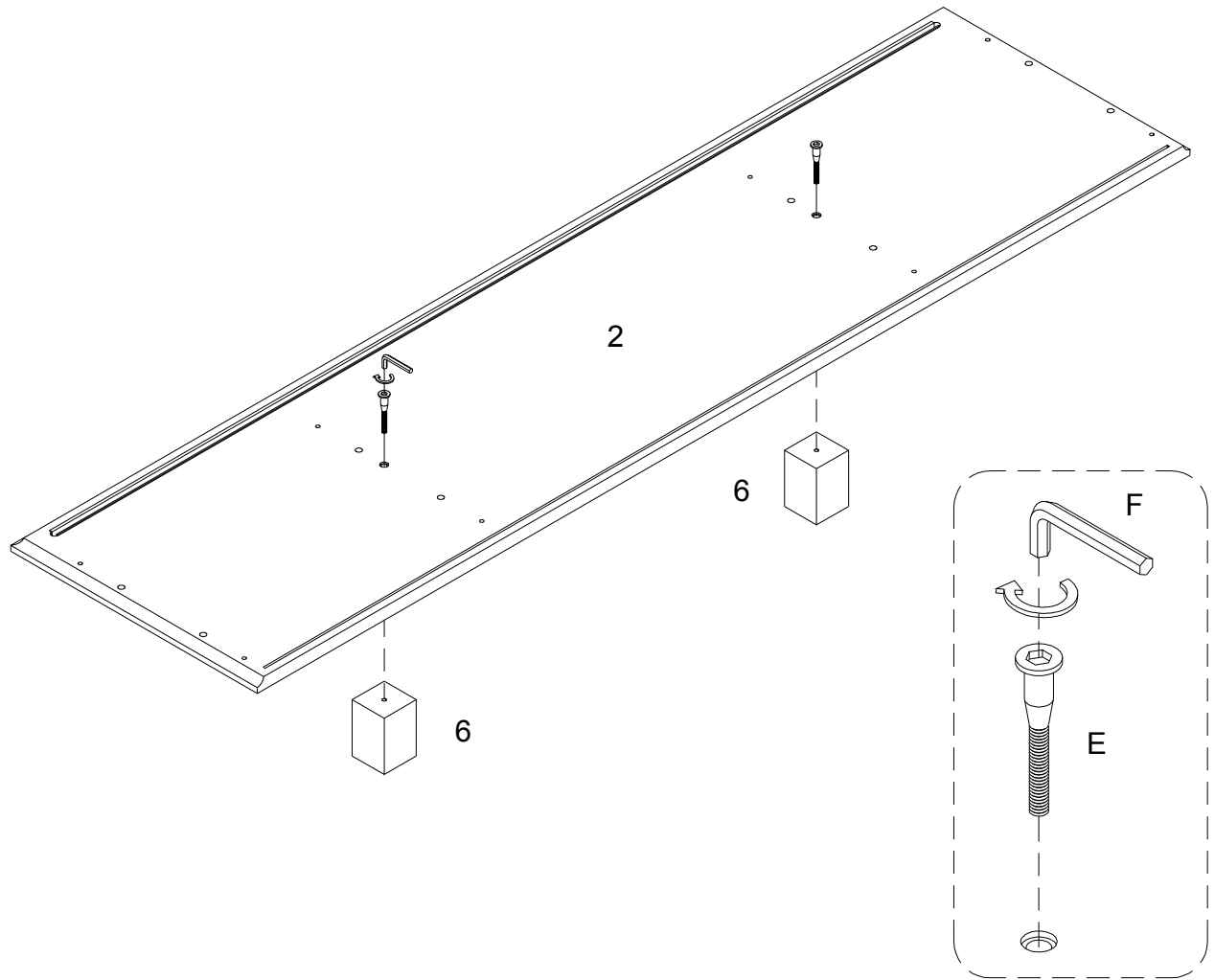
Using cam lock (B) secure parts (7,9) to parts (10,12) with Philips head screwdriver as per diagram.

# Step 6



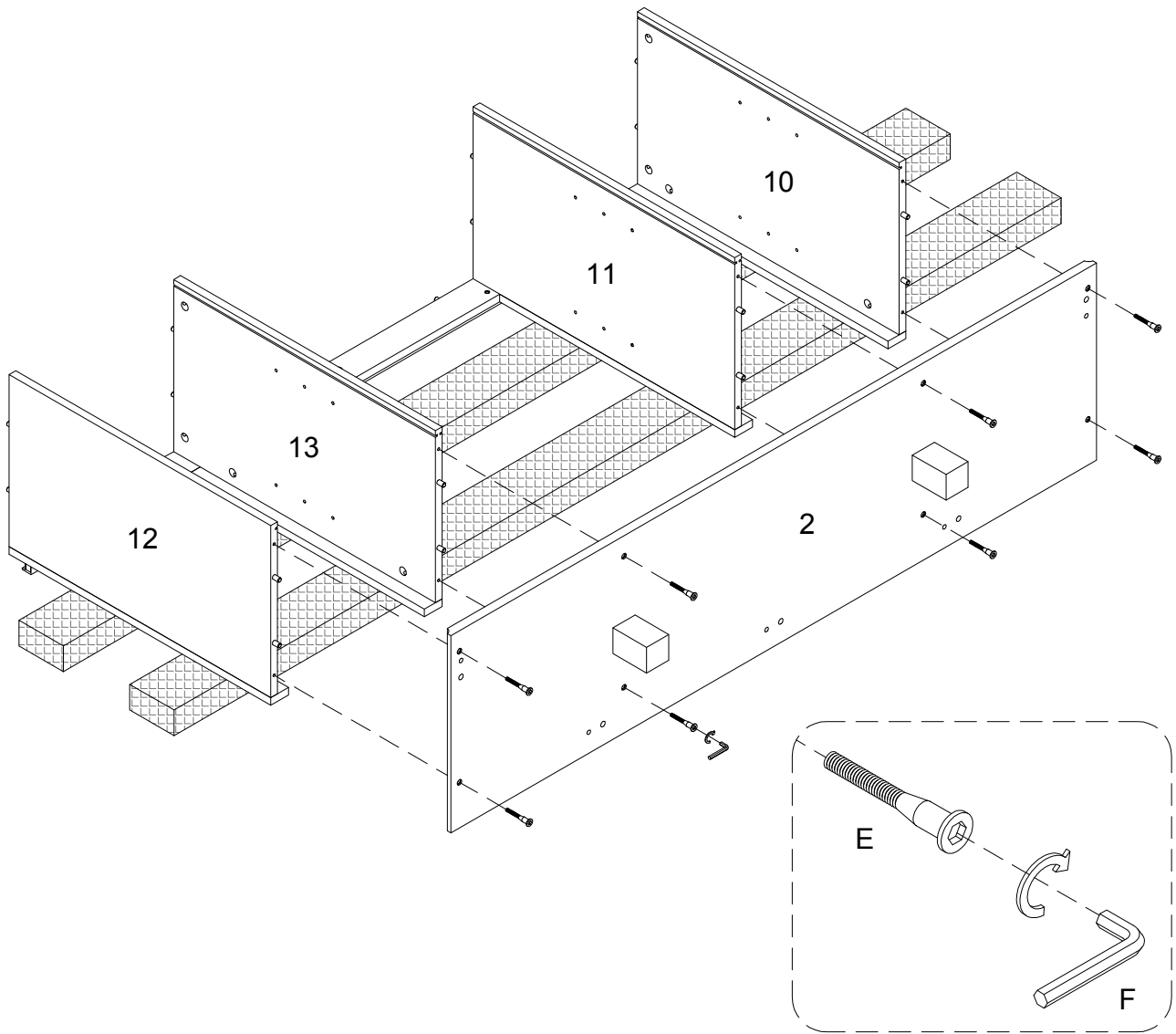
Using cam lock (B) secure part (8) to parts (7,9,20,21) with Philips head screwdriver as per diagram.

# Step 7



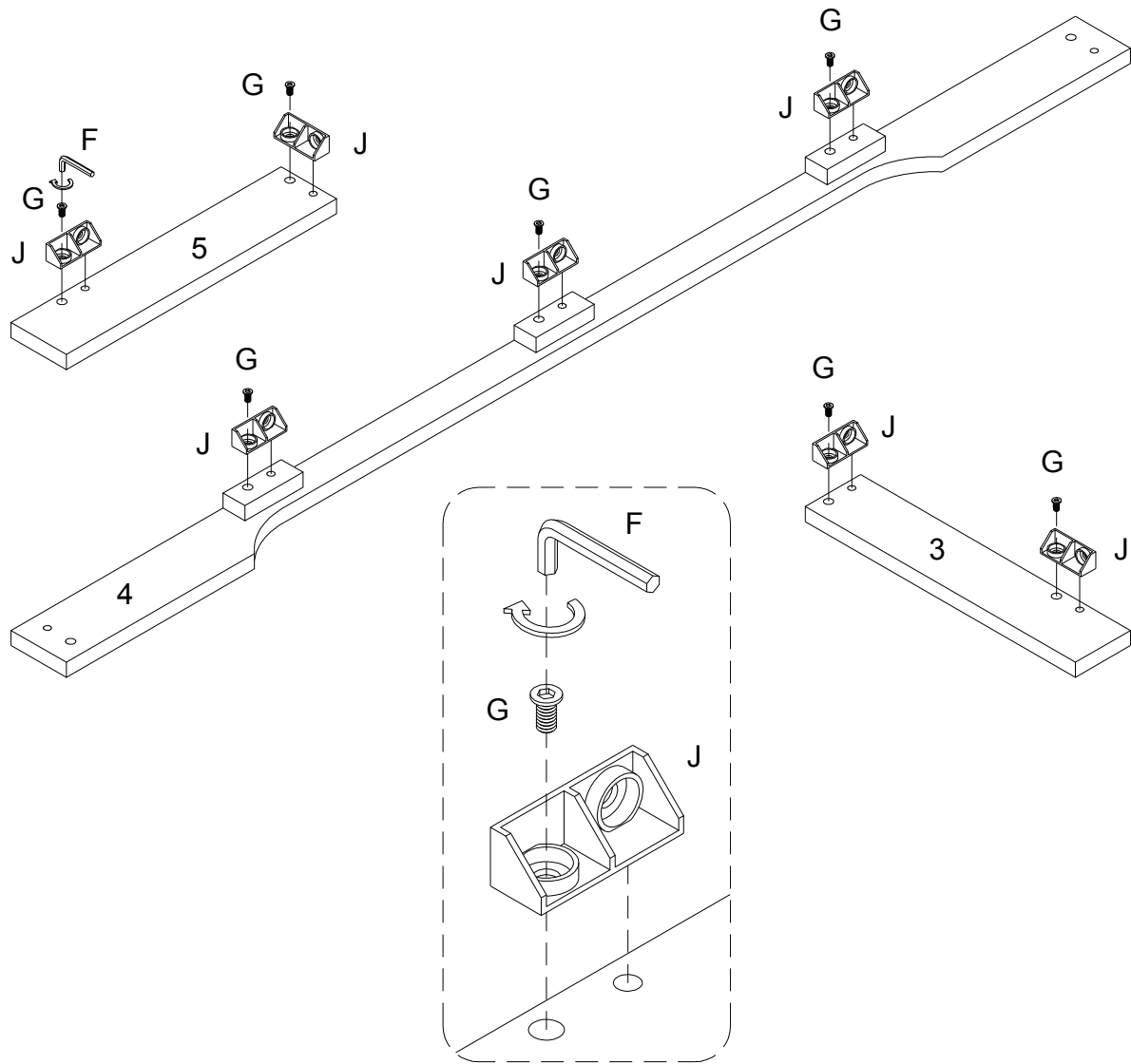
Using bolt (E) secure part (2) to part (6) with hex key (F) as per diagram.

# Step 8



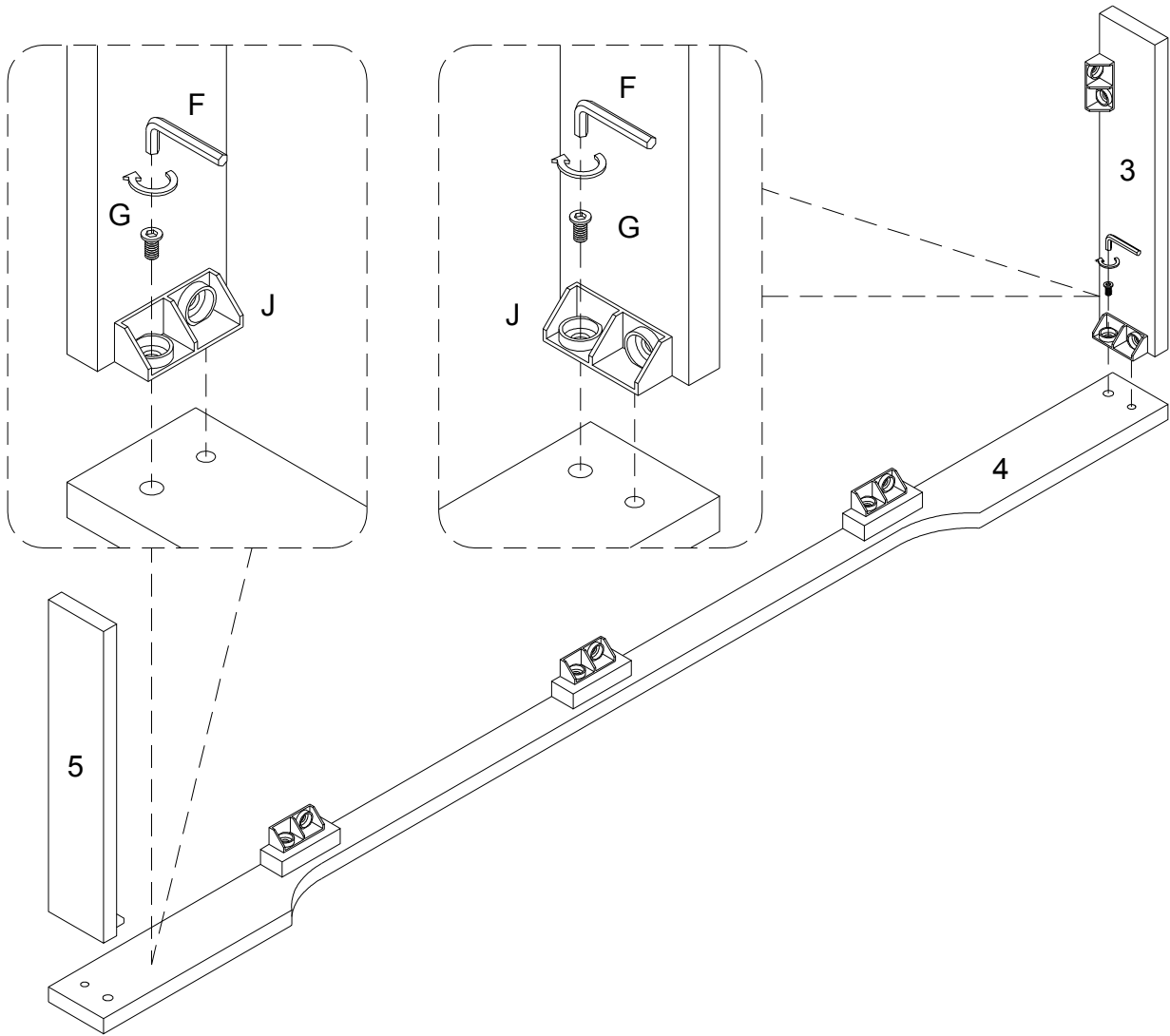
Using bolt (E) secure part (2) to parts (10,11,12,13) with hex key (F) as per diagram.

# Step 9



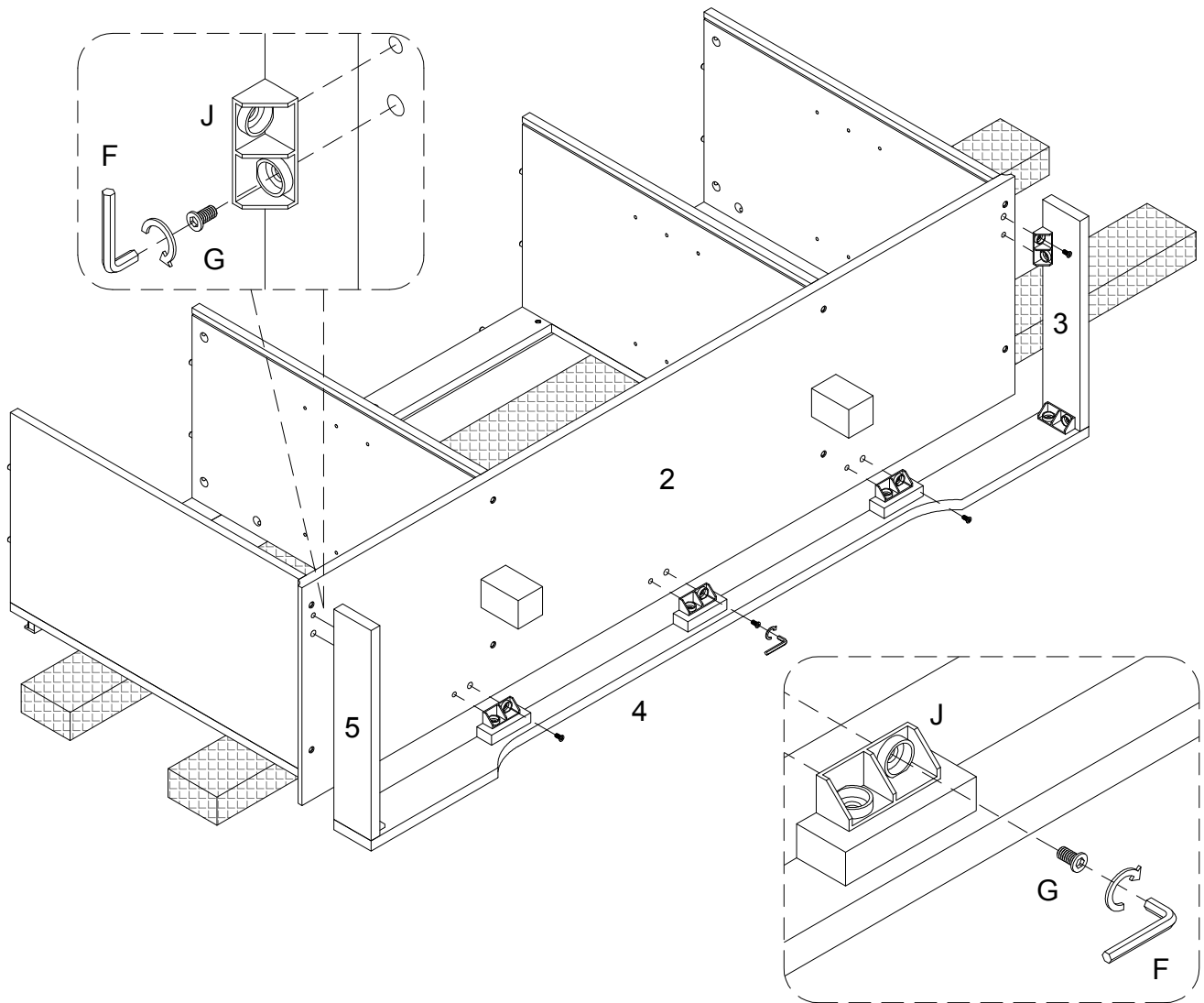
Using bolt (G) secure connector (J) into parts (3,4,5) with hex key (F) as per diagram.

# Step 10



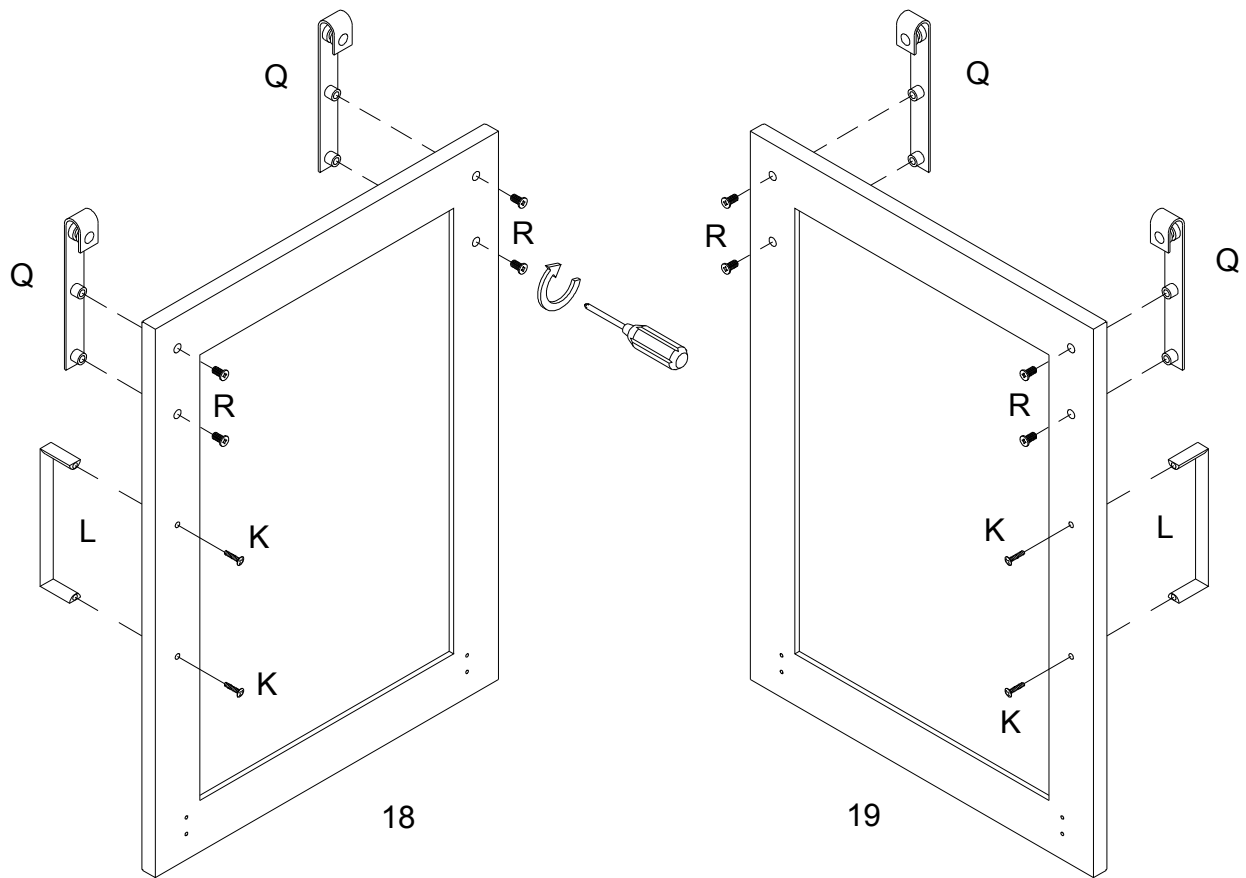
Using bolt (G) secure connector (J) into parts (3,4,5) with hex key (F) as per diagram.

# Step 11



Using bolt (G) secure connector (J) into parts (2,3,4,5) with hex key (F) as per diagram.

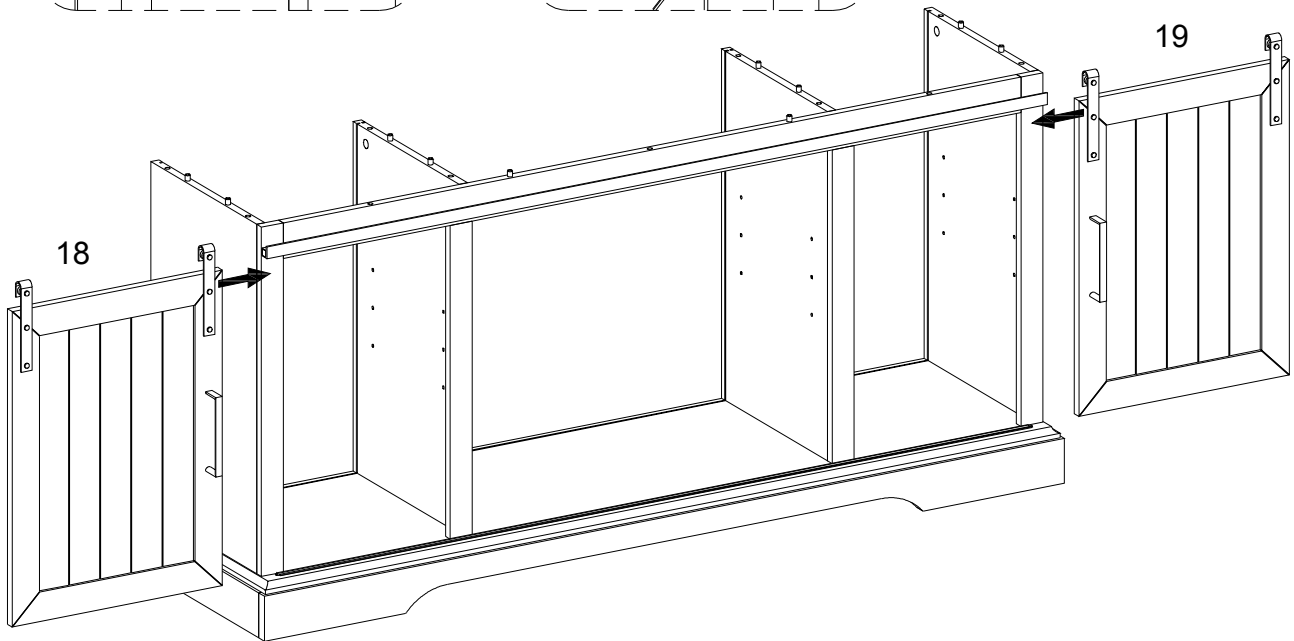
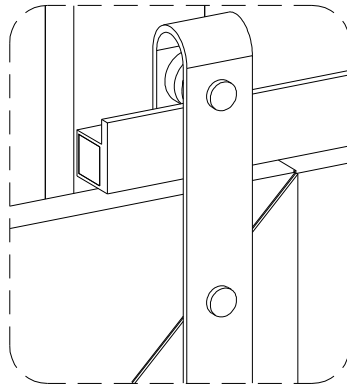
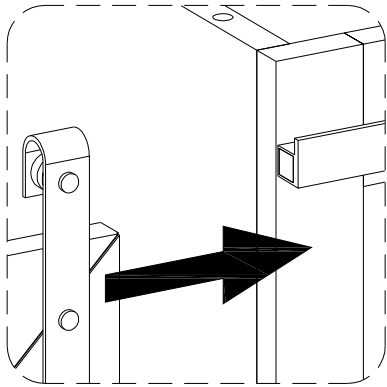
# Step 12



Using bolt (K) secure handle (L) into parts (18,19),and using bolt (R) secure pulley (Q) to parts (18,19) with Philips head screwdriver as per diagram.

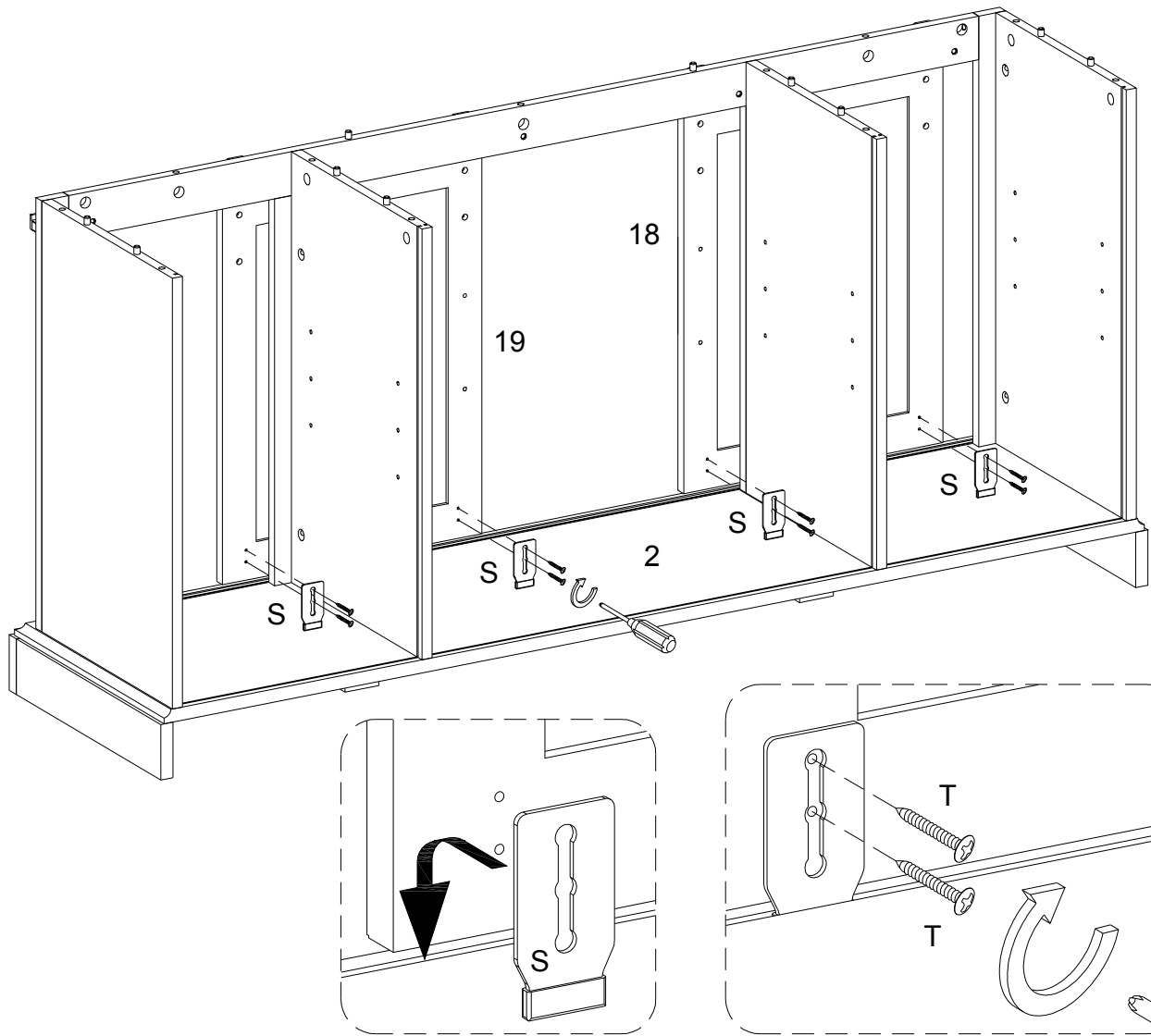


# Step 13



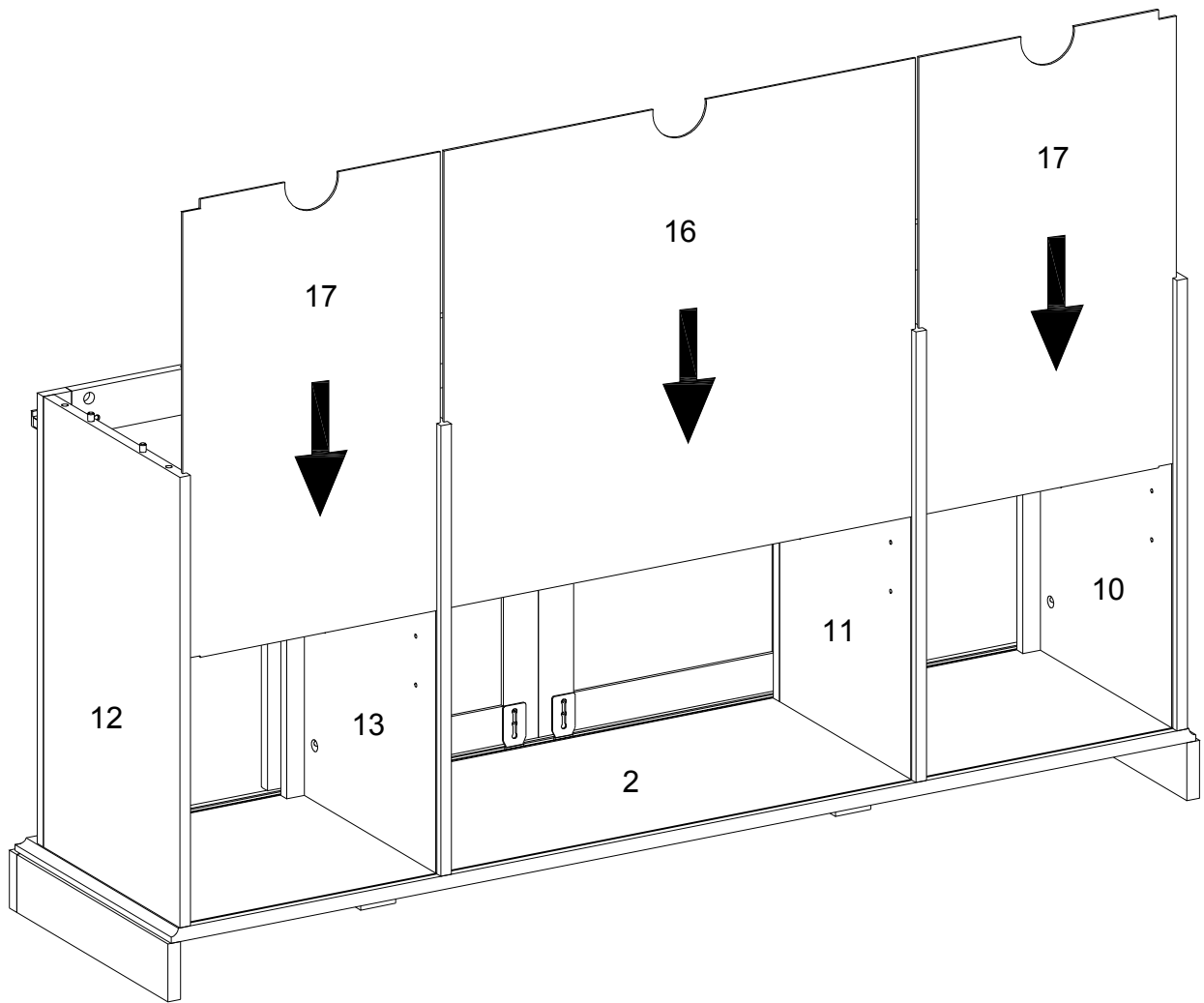
Put parts (18,19) as per diagram.

# Step 14



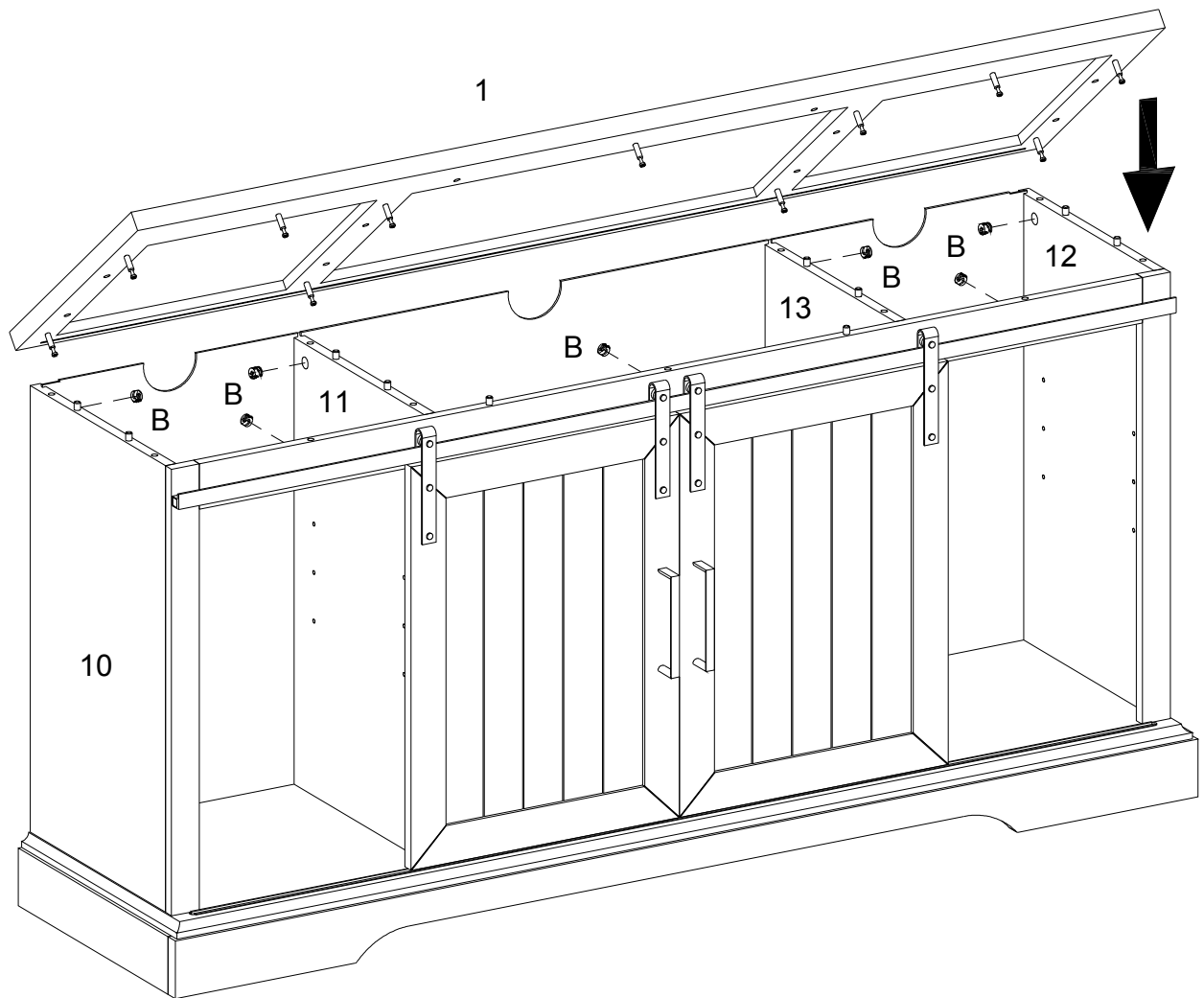
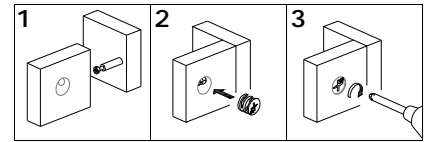
Using screw (T) secure plate (S) into parts (2,18,19) with Philips head screwdriver as per diagram.

# Step 15



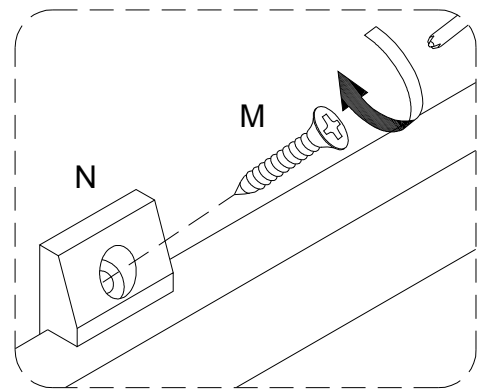
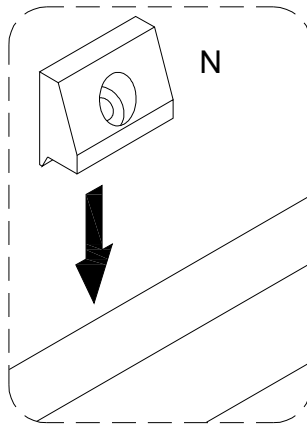
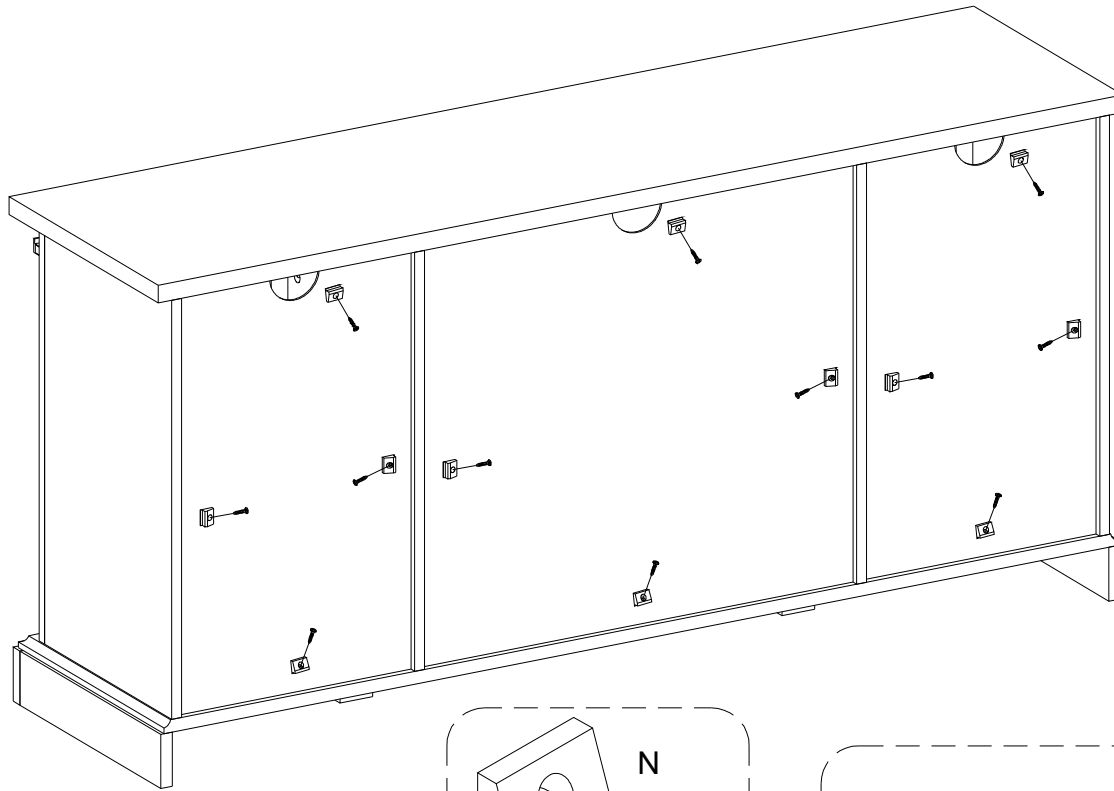
Put parts (16,17) into parts (2,10,11,12,13) as per diagram.

# Step 16



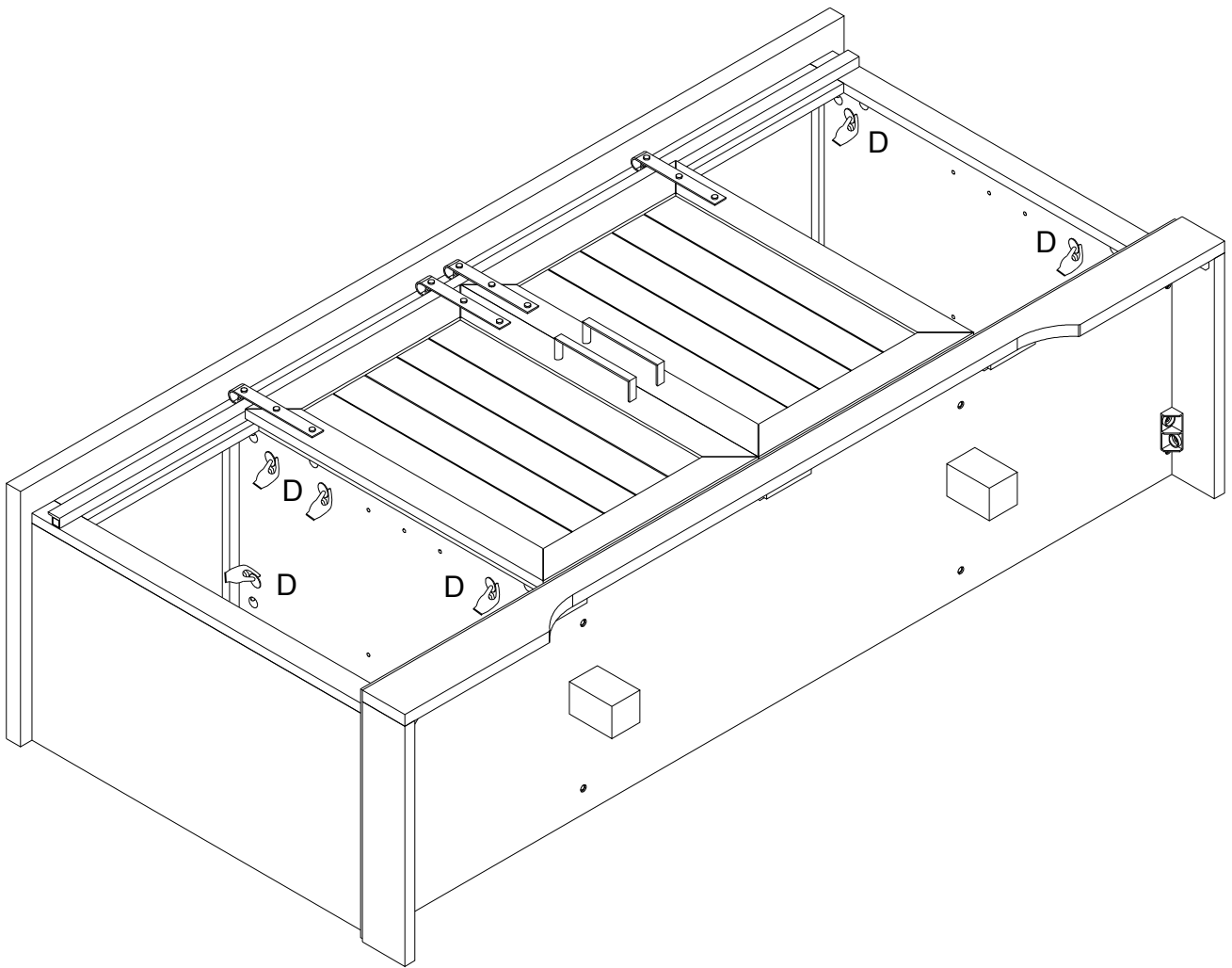
Using cam lock (B) secure part (1) into parts (10,11,12,13) with Philips head screwdriver as per diagram.

# Step 17



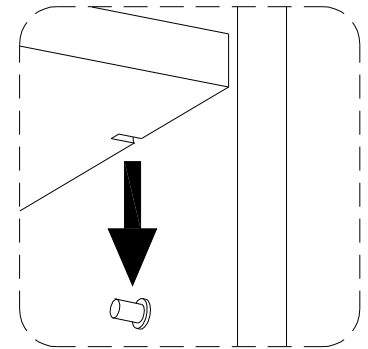
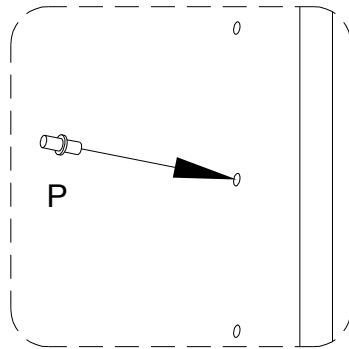
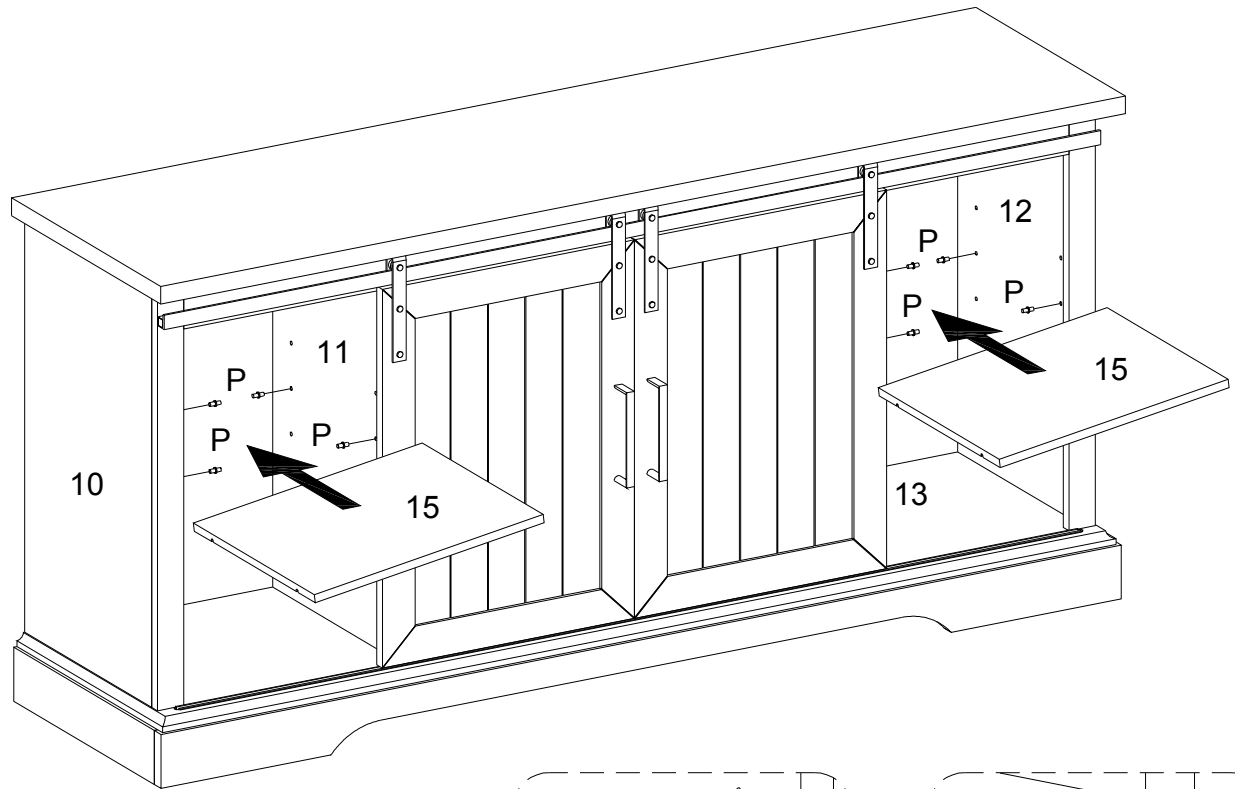
Using screw (M) secure plastic wedge (N) with Philips head screwdriver as per diagram.

# Step 18



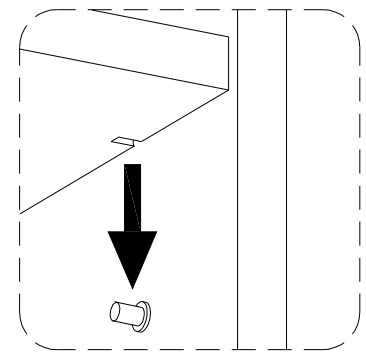
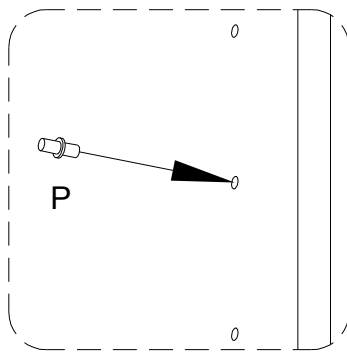
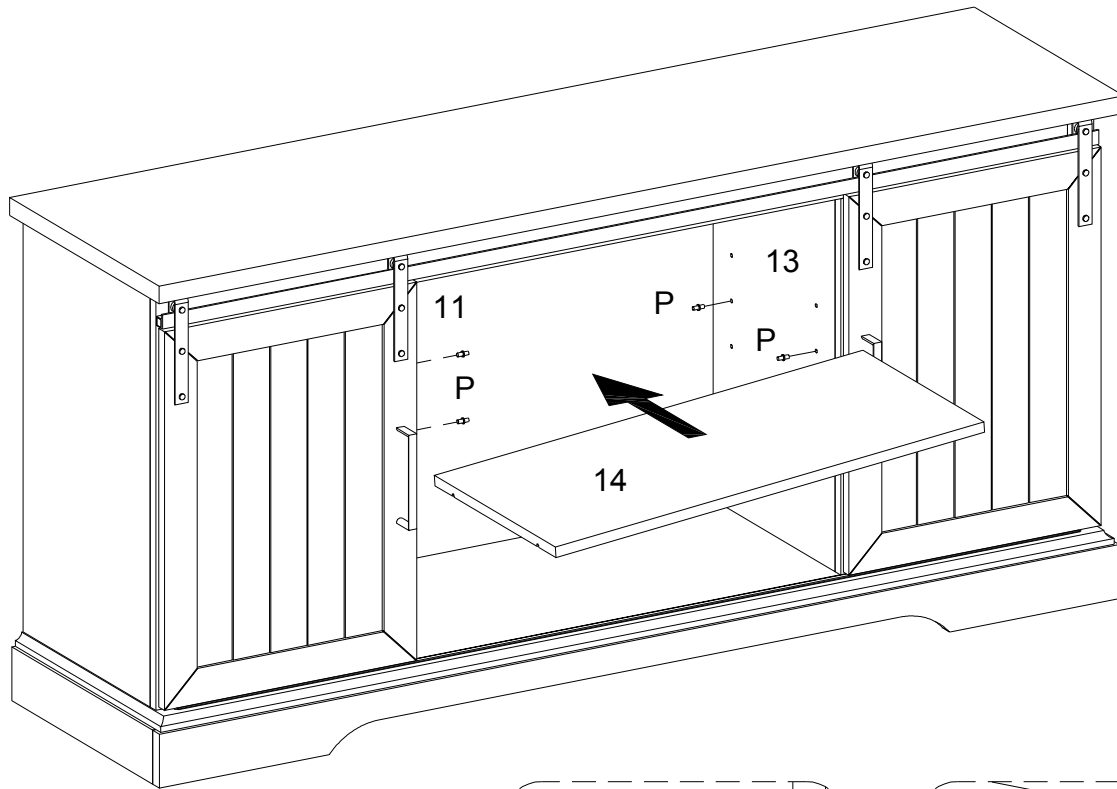
Place sticker (D) cover the holes as per diagram.

# Step 19



Insert shelf support pin (P) into parts (10,11,12,13) ,then put part (15) into parts (10,11,12,13) as per diagram.

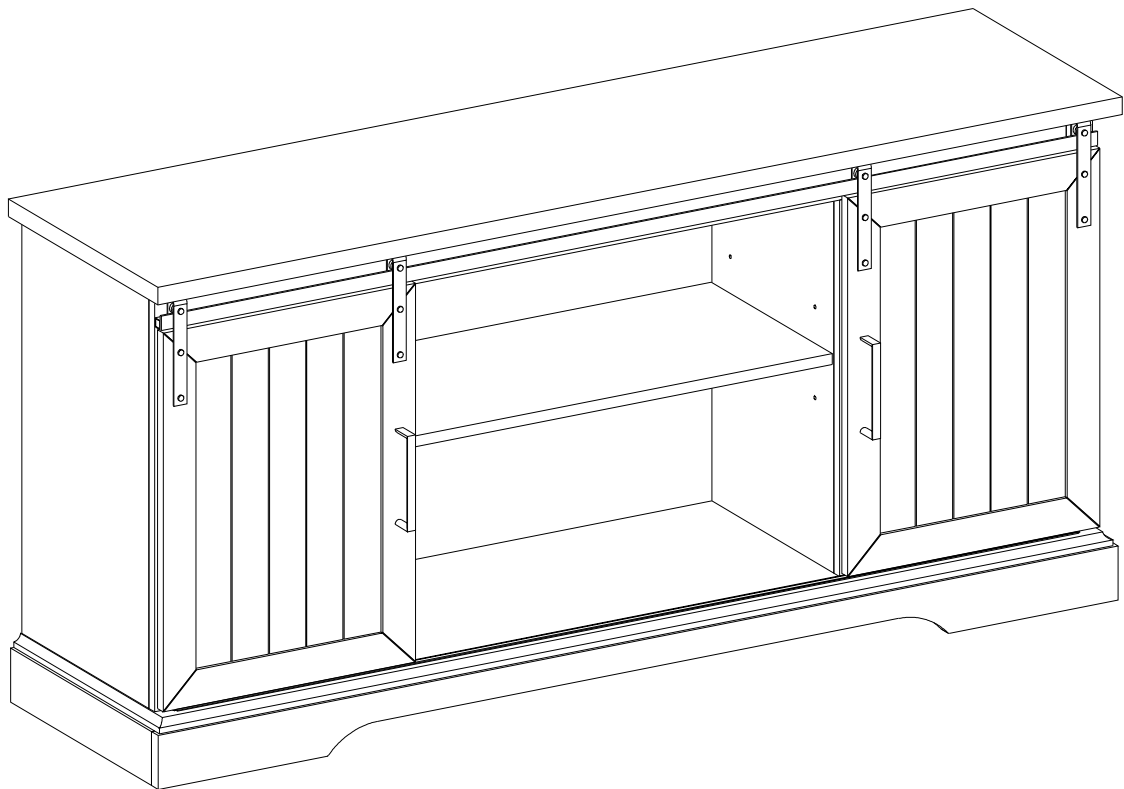
# Step 20



Insert shelf support pin (P) into parts (11,13) ,then put part (14) into parts (11,13) as per diagram.



# Step 21



## Final Assembly