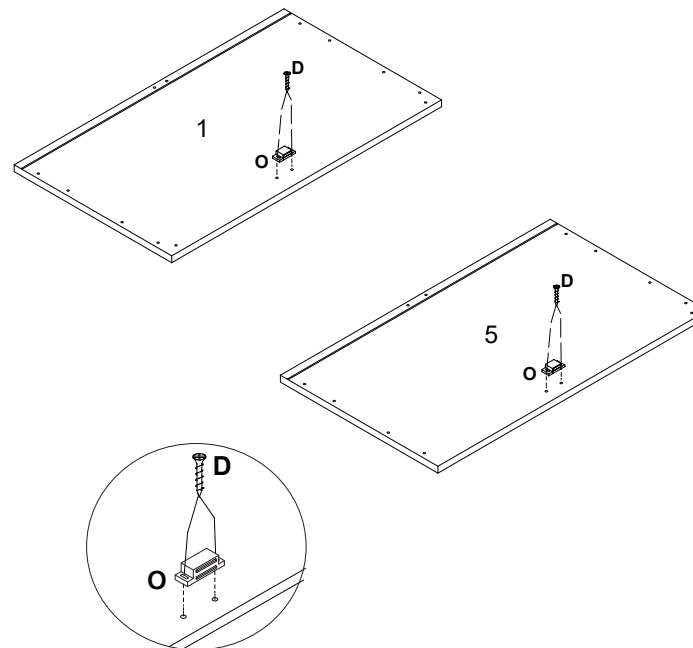


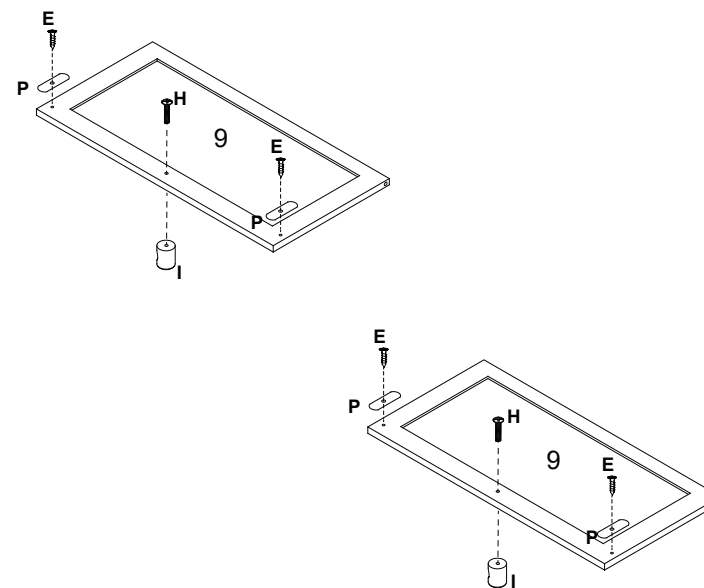
**1** On piece 1 & 5, secure the catch (O) using screws (D). Use the pre-drilled holes for guidance.



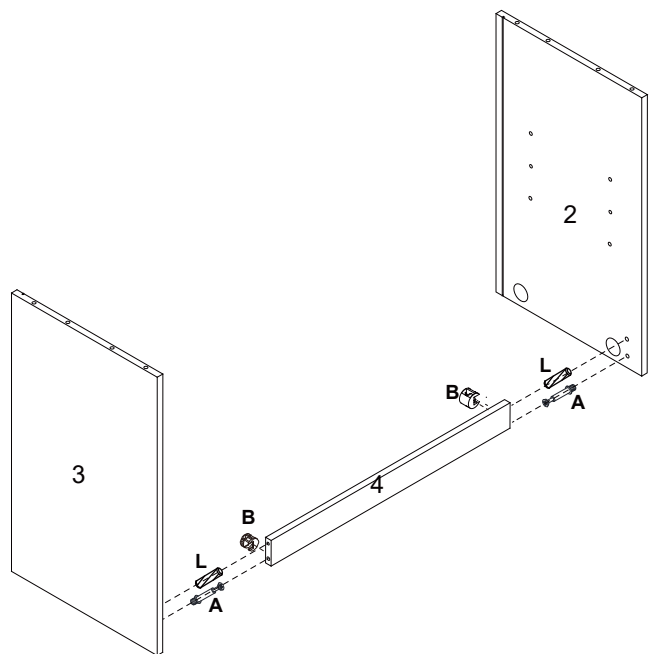
A		10 PCS
B		10 PCS
C		6 PCS
D		8 PCS
E		4 PCS
F		2 PCS
G		2 PCS
H		2 PCS
I		2 PCS
J		8 PCS
K		6 PCS

L		10 PCS
M		4 PCS
N		4 PCS
O		2 PCS
P		4 PCS
Q		2 PCS
R		2 PCS
S		1 PC
T		4 PCS

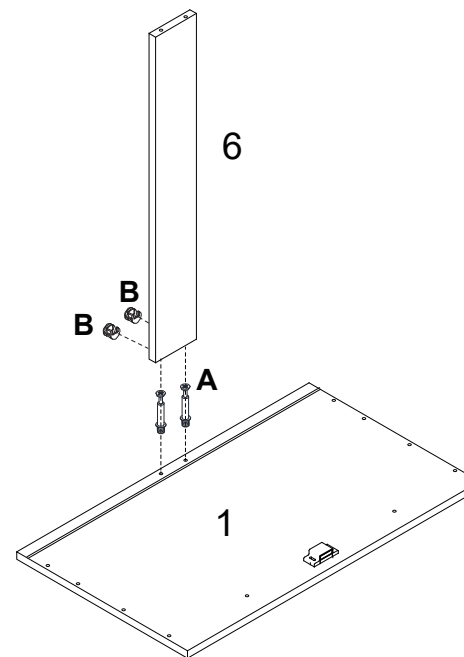
**2** On piece 9, attach the plates (P) using screws (E), attach the door handles (I) using screws (H).



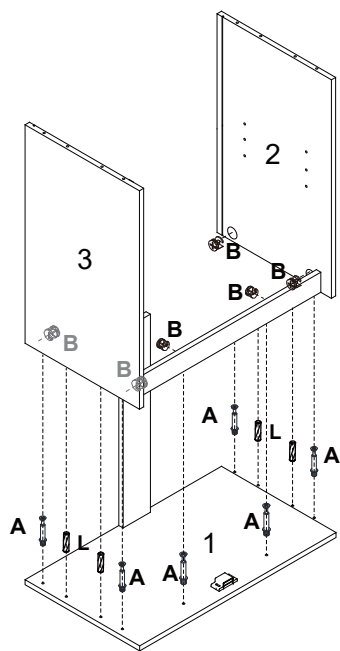
**3** Attach piece 2 & 3 to piece 4 using wooden dowels (L), cam dowels (A) and cam locks (B).



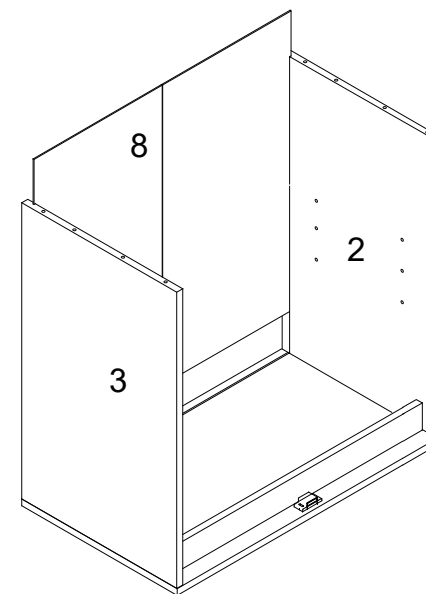
**4** Attach piece 6 to piece 1 using cam dowels (A) and cam locks (B).



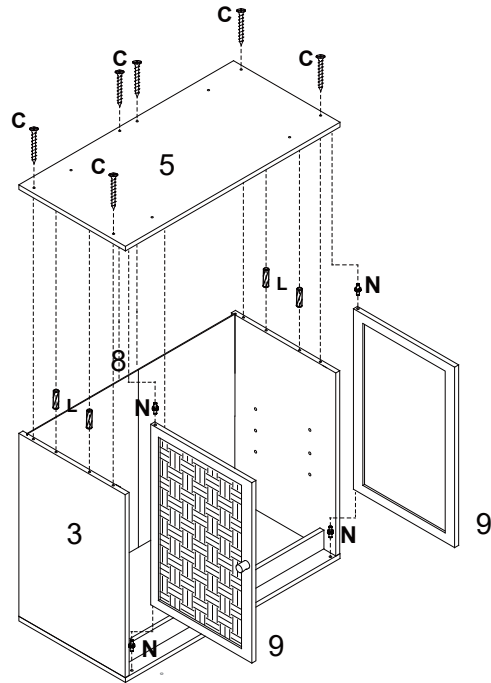
**5** Attach 2 sections using wooden dowels (L), cam dowels (A) and cam locks (B).



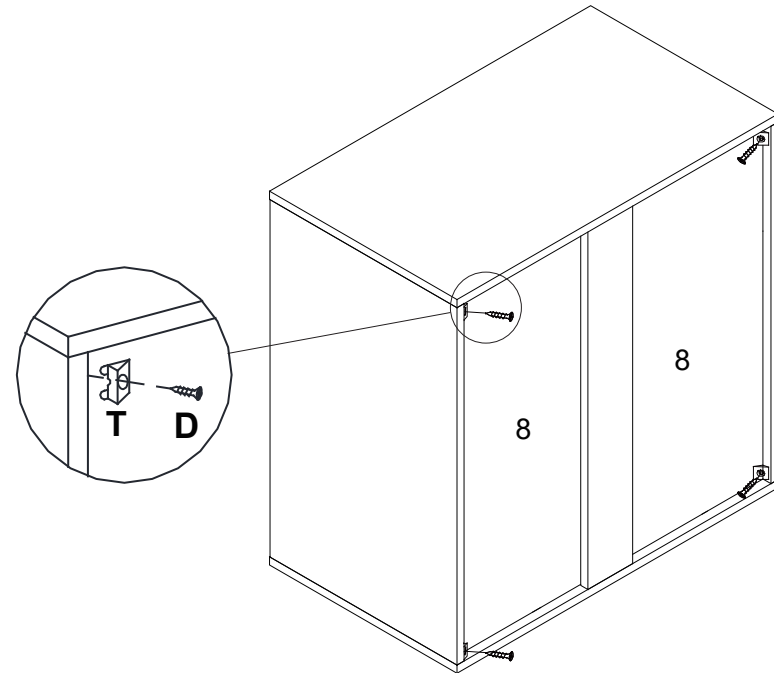
**6** Slot piece 8 into the ridges.



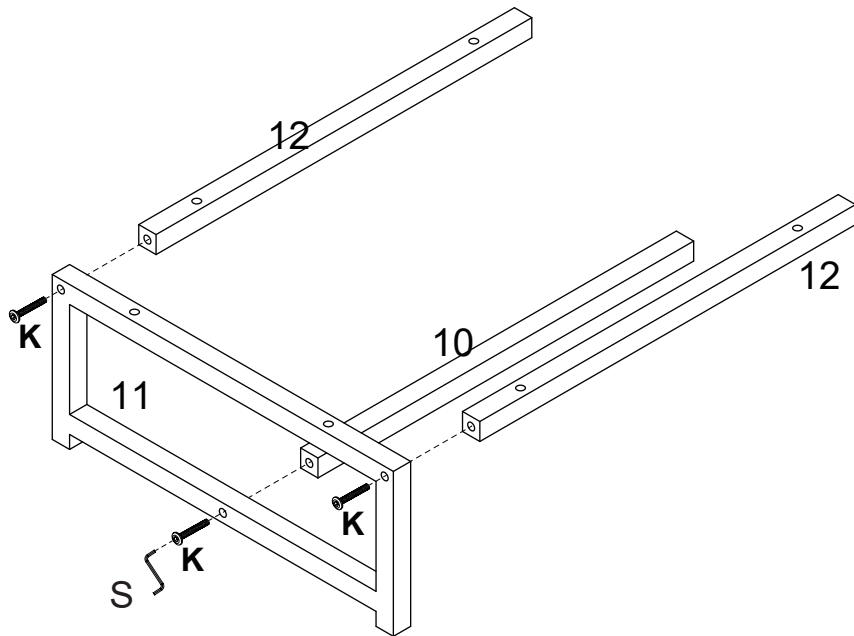
**7** Attach piece 5 to the unit using wooden dowels (L), screws (C), Connect door 9 using bar hinges (N).



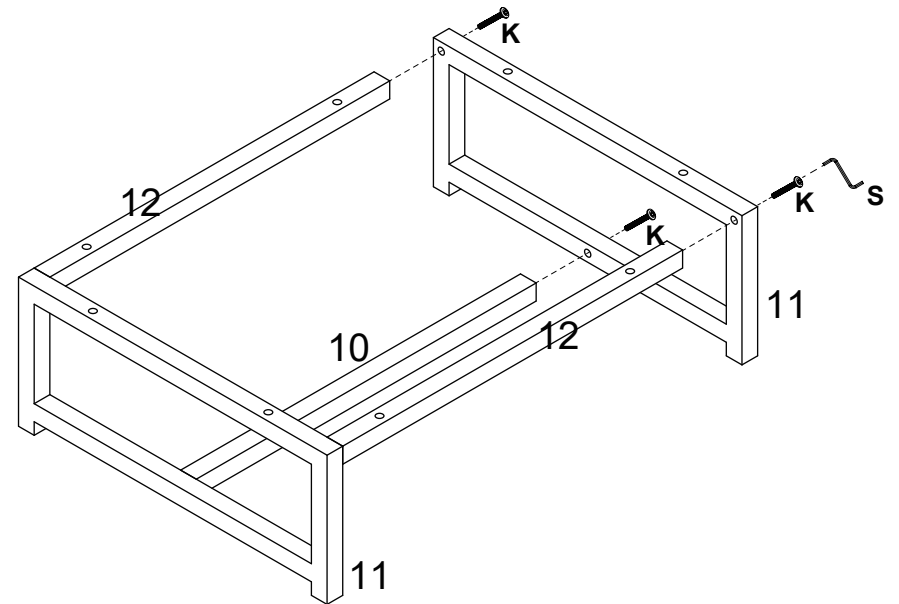
**8** Attach panel stiffener (T) on piece 8 using screw (D).



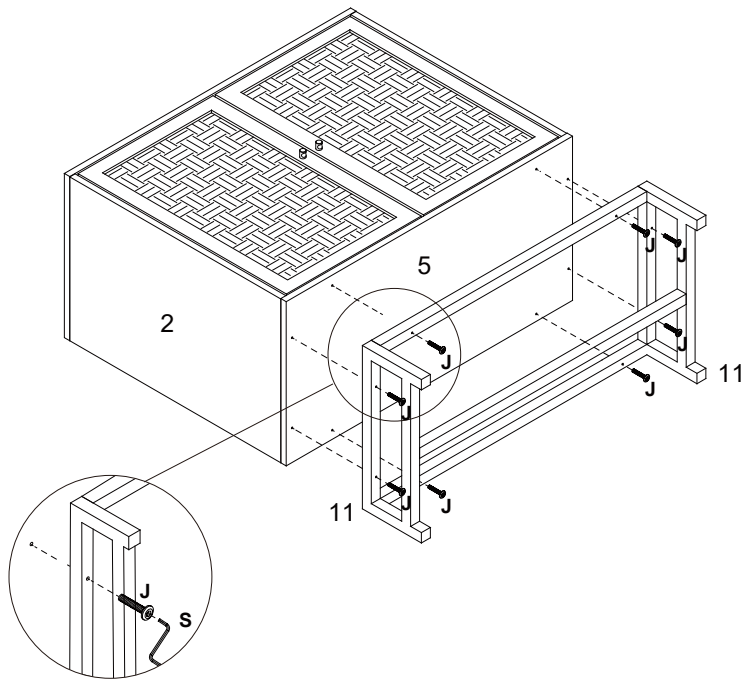
**9** Attach piece 12 & 10 to piece 11 using screw (K) with tool (S).



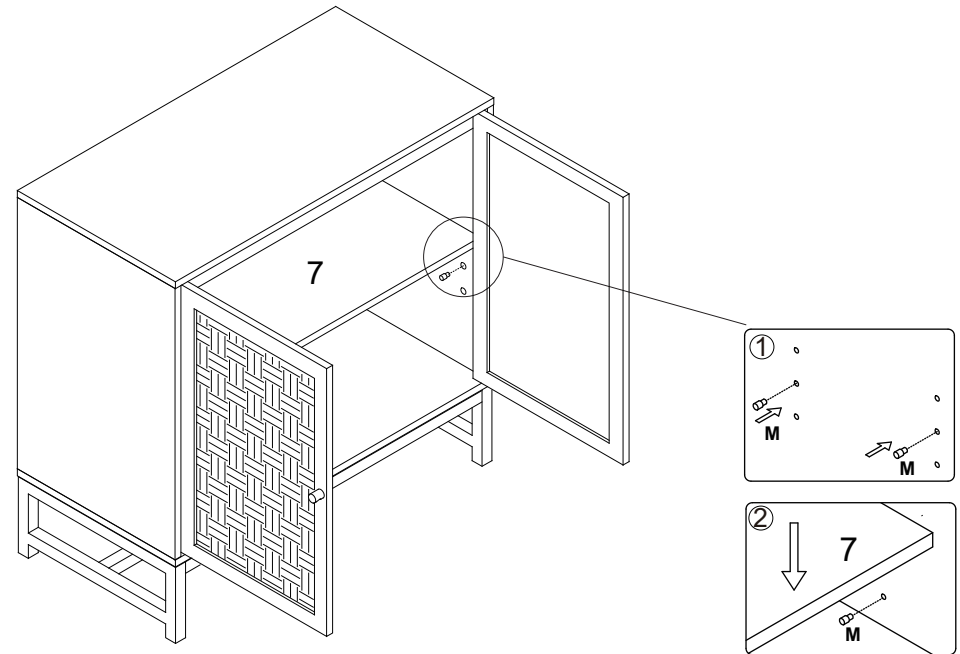
**10** Attach piece 12 & 10 to piece 11 using screw (K) with tool (S).



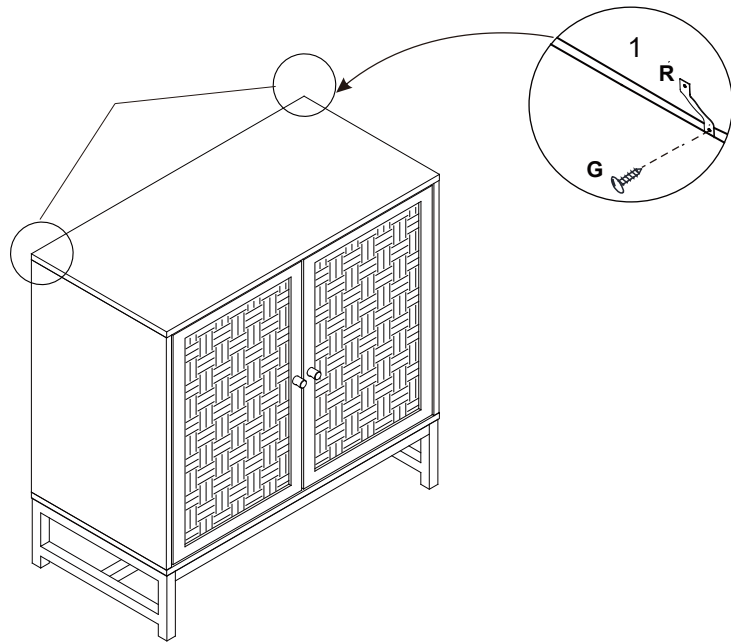
**11** Attach 2 section using screw (J) with tool (S).



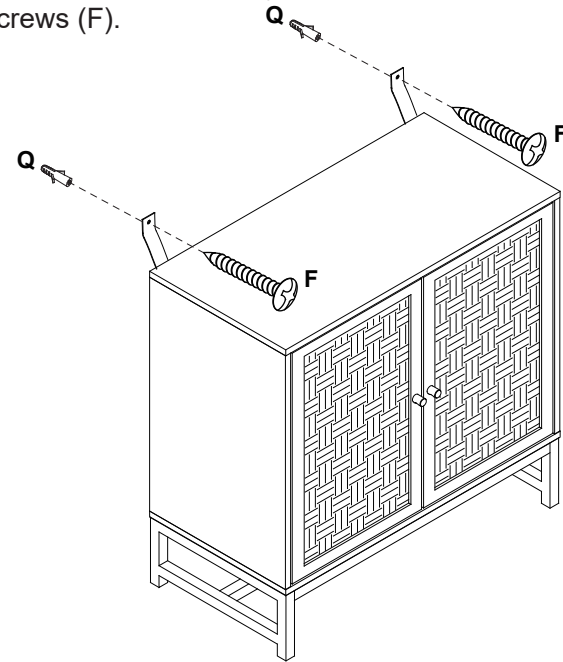
**12** Put shelf support (M) into the hole on piece 2 & 3, put the piece 7 on the shelf support.



**13** Attach strip (R) using screw (G).



**14** Secure the unit to a wall in your chosen location using wall plugs (Q) and screws (F).



**15** The unit should now be assembled and ready to use.

