

# SEADRIFT BENCH

Assembly Instruction :

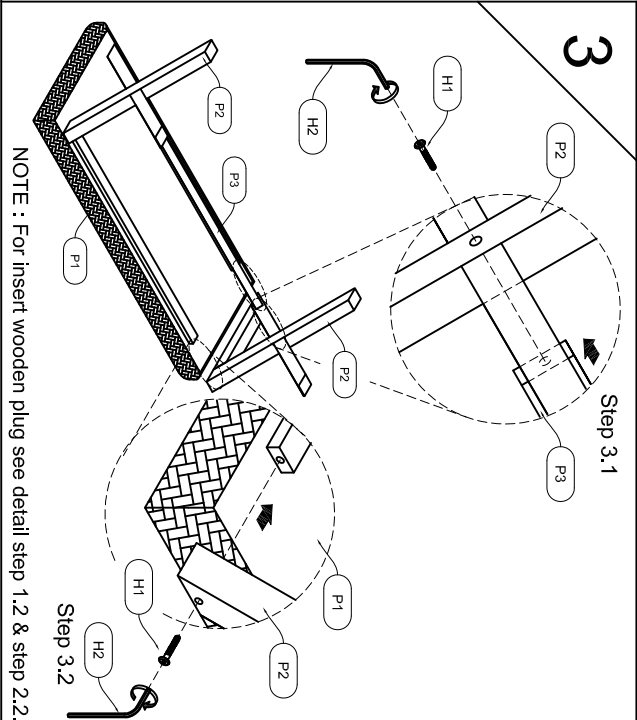
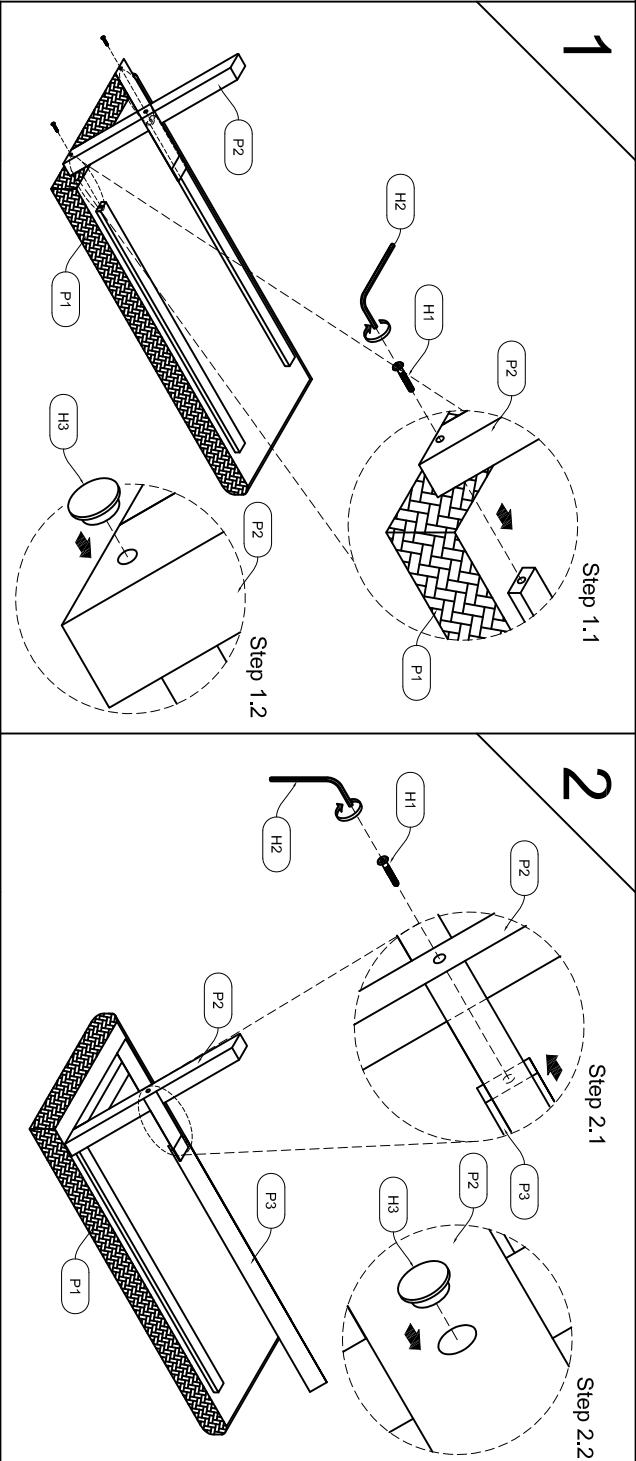
## PART LIST

NO	DESCRIPTION	IMAGE	QTY
P1	TOP		1
P2	LEGS		2
P3	STRETCHER		1

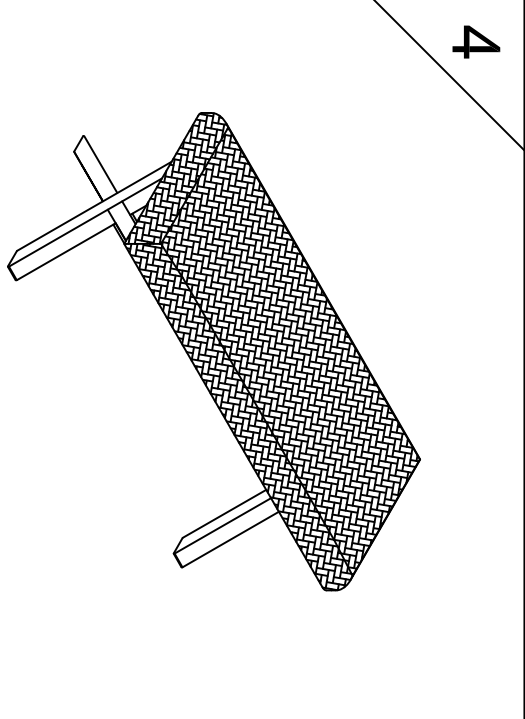
## HARDWARE LIST

NO	DESCRIPTION	IMAGE	QTY
H1	BOLT ( M6 x 50mm )		6
H2	ALLEN KEY		1
H3	WOODEN PLUG		6

NOTE : PO# is located underneath / inside of each item. Please be prepared to provide this # should any claim be necessary.



NOTE : For insert wooden plug see detail step 1.2 & step 2.2.



ASSEMBLY COMPLETED