
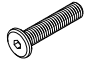
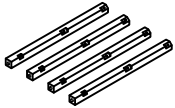


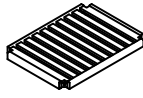



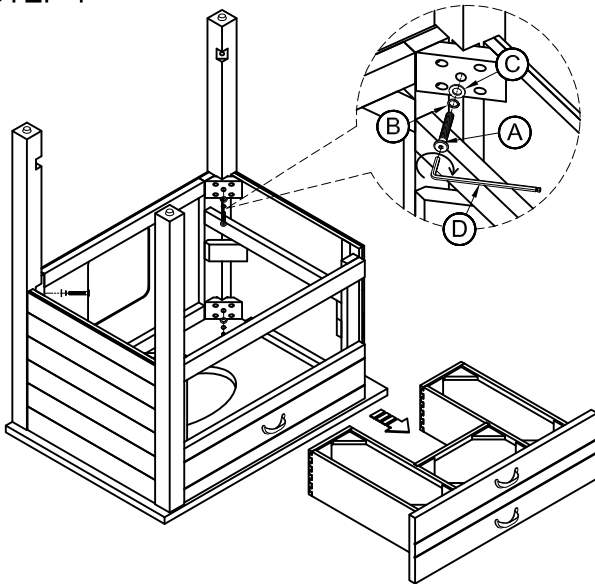
# Assembly Instructions

ITEM NO: 30448/51581

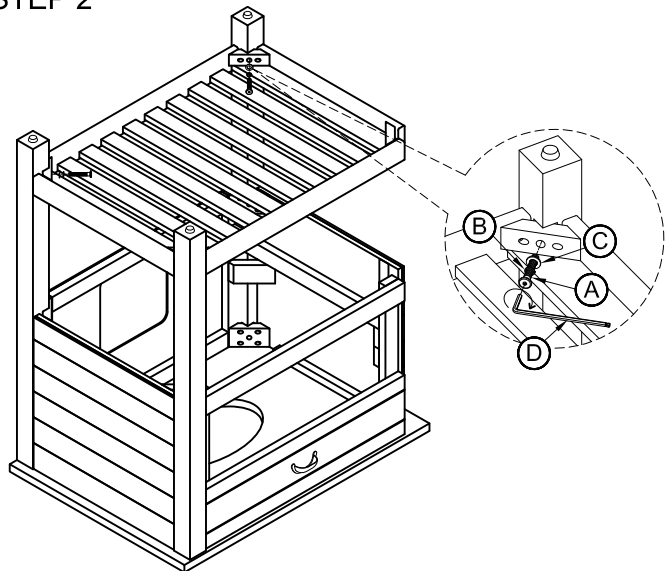
Thank you for purchasing this quality product. Be sure to check all packing material carefully for small parts that may have come loose inside the carton during shipment. (Note: Loosely thread all screws/bolts first. Once the item is assembled then completely tighten.)

PARTS LIST:				HARDWARE LIST:				
No.	Description	Sketch	Quality	No.	Sketch	Description	Size	Quality
1	Top		1 Pc	A		Allen Head Bolt	Ø8x50mm	12 Pcs
2	Legs		4 Pcs	B		Lock Washer	Ø9xØ13mm	12 Pcs
				C		Flat Washer	Ø8xØ16mm	12 Pcs
3	Bottom Box		1 Pc	D		Allen Key	4x110mm	1 Pc

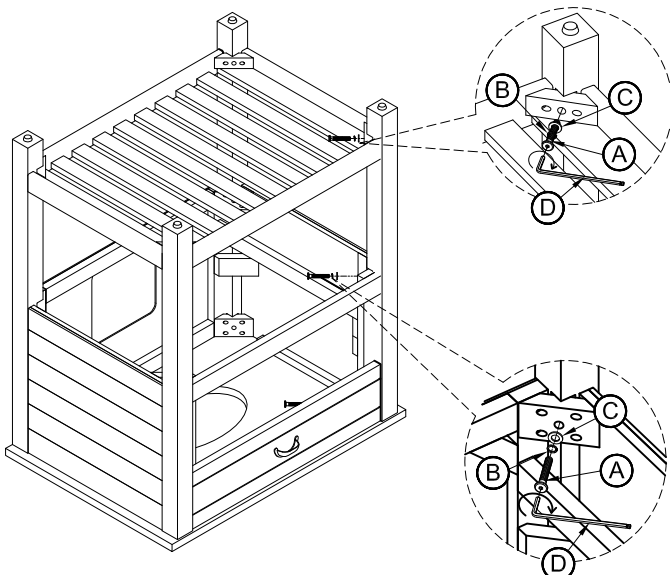
## STEP 1



## STEP 2



## STEP 3



## STEP 4

