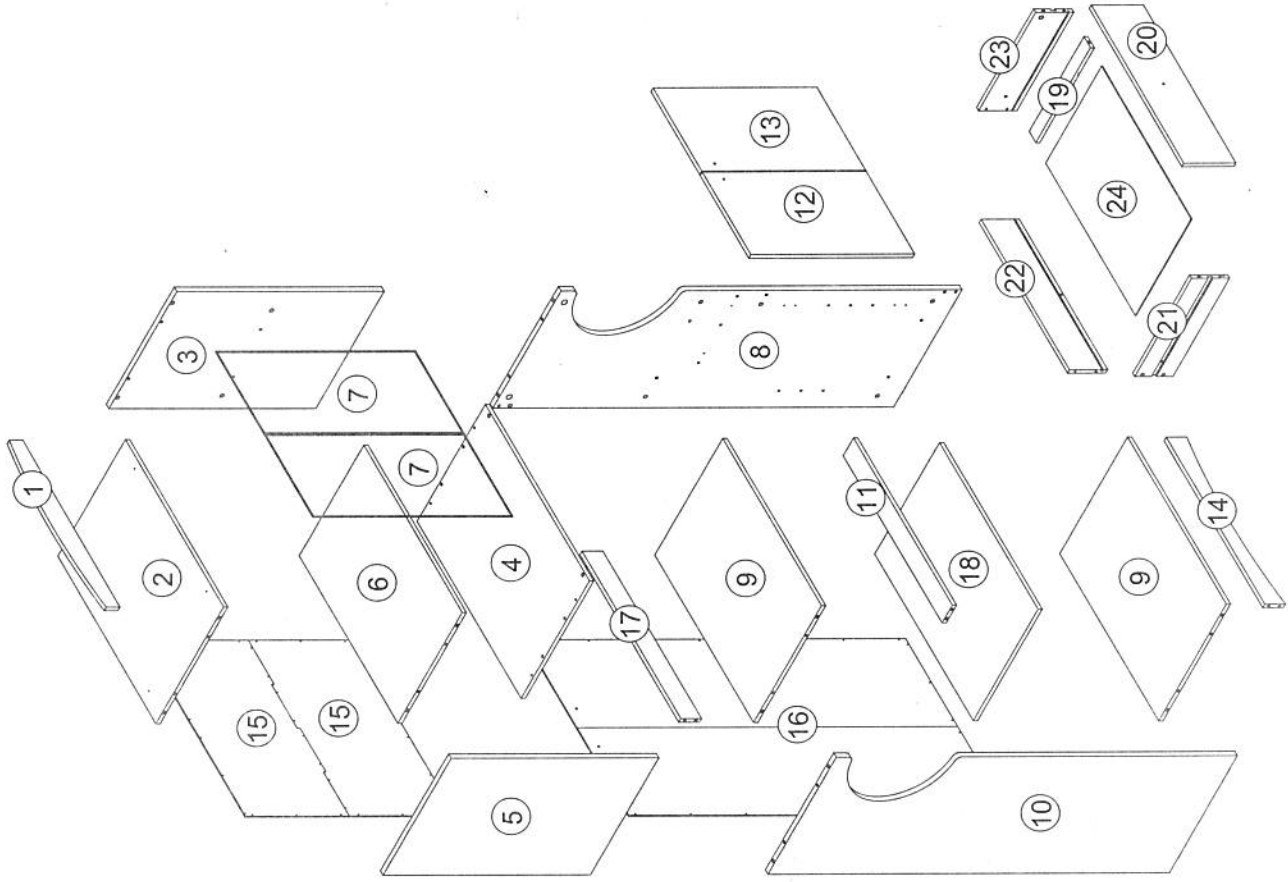
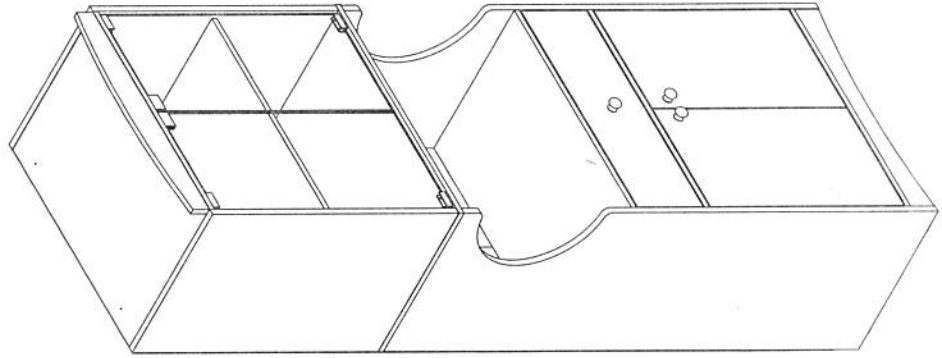


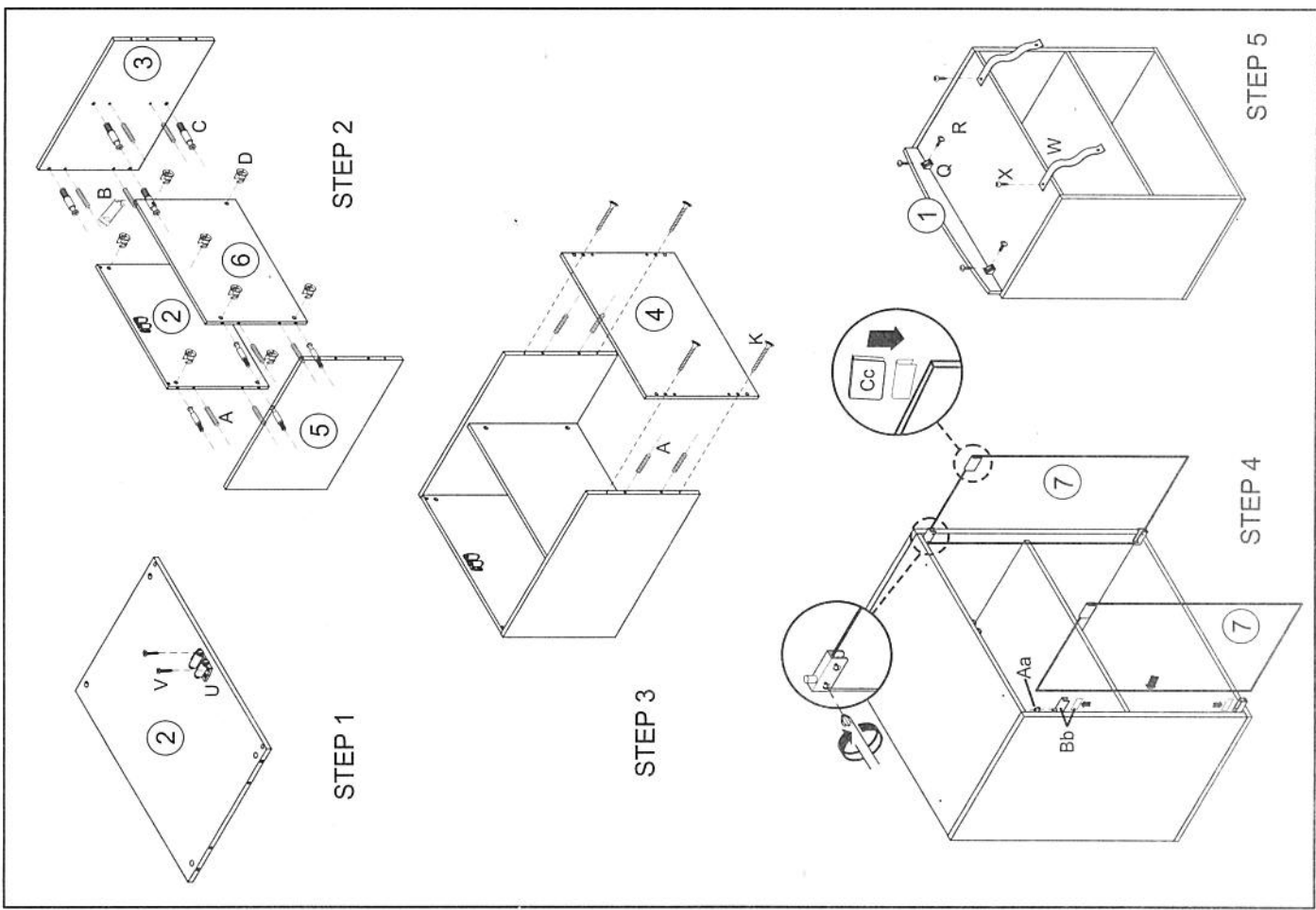
www.homesourceind.com sales@homesourceind.com

Assembly Instruction

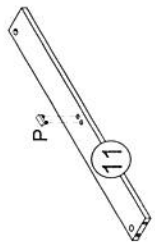
Model: TIF-10208

Microwave Cart

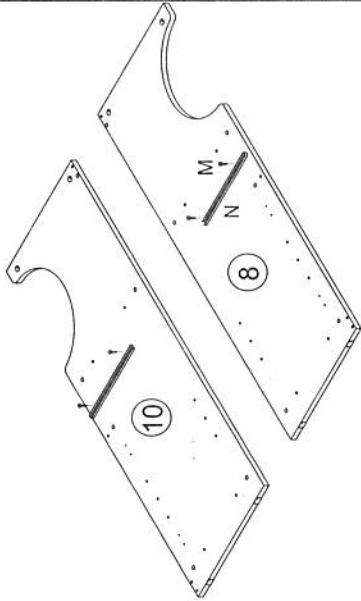




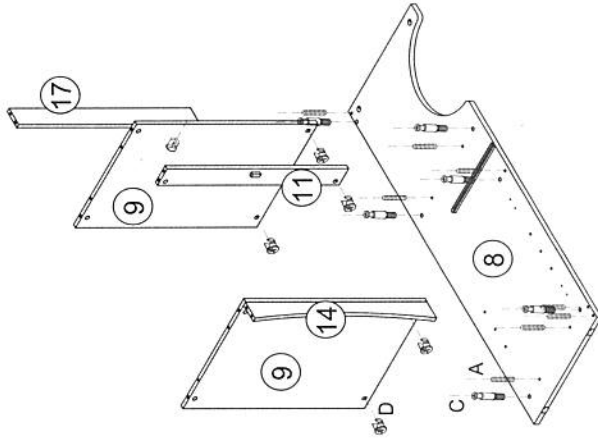
- | | | | | |
|---------------|----------------|----------------|----------------|---------------|
| A x 34 | B x 3 | C x 20 | D x 23 | E x 4 |
| F x 4 | G x 3 | H x 4 | I x 4 | J x 16 |
| K x 6 | L x 5 | M x 4 | N x 2 | O x 2 |
| P x 1 | Q x 2 | R x 8 | S x 3 | T x 3 |
| U x 1 | V x 2 | W x 2 | X x 2 | Y x 2 |
| Z x 54 | A a x 4 | B b x 2 | C c x 2 | |



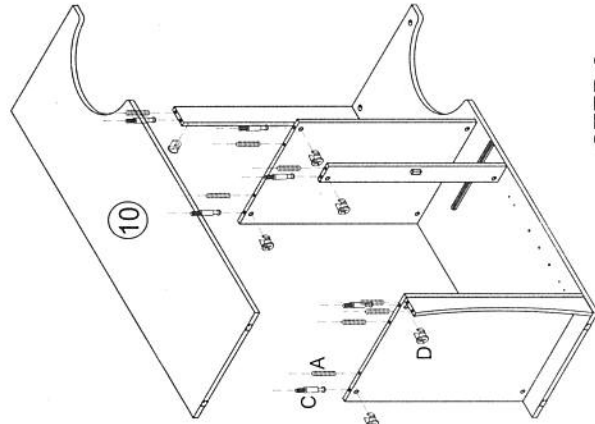
STEP 6



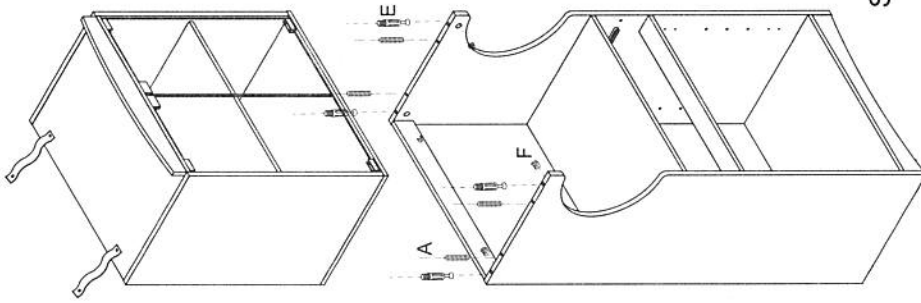
STEP 7



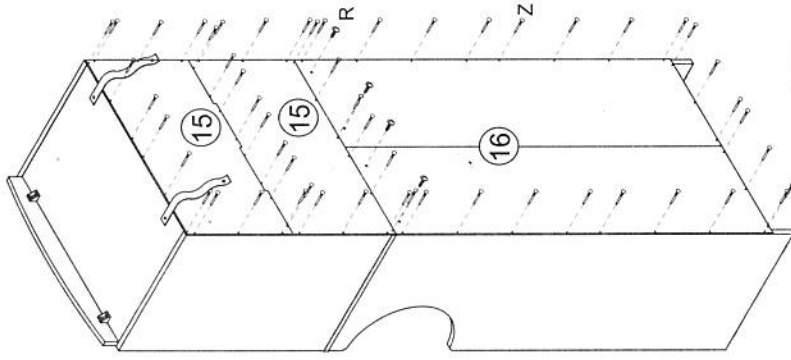
STEP 8



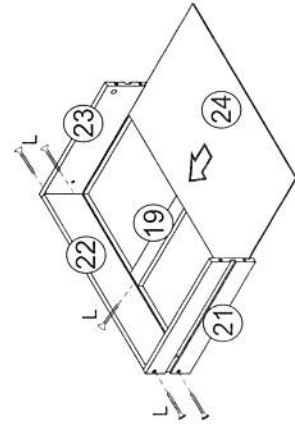
STEP 9



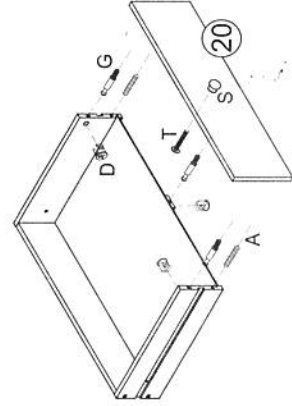
STEP 10

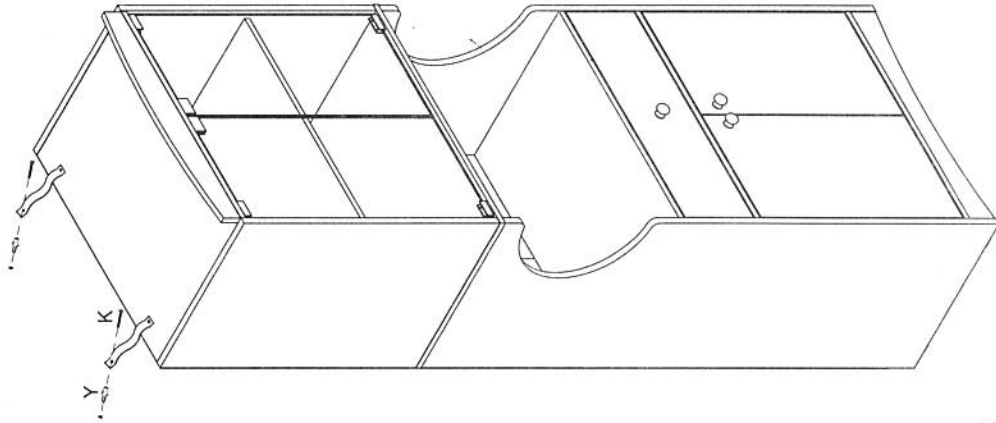


STEP 11

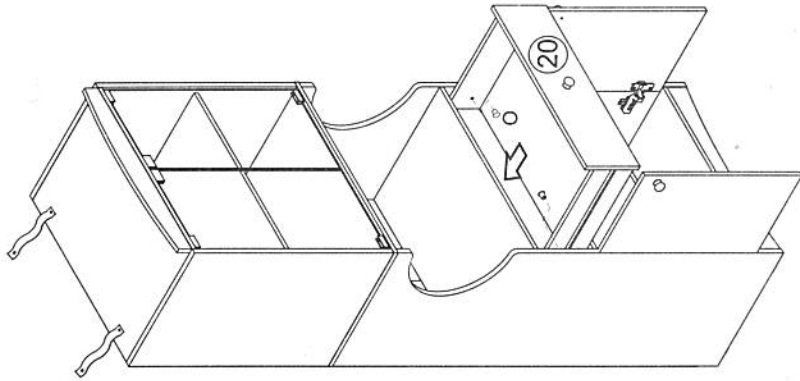


STEP 12





STEP 15



STEP 14

STEP 13

