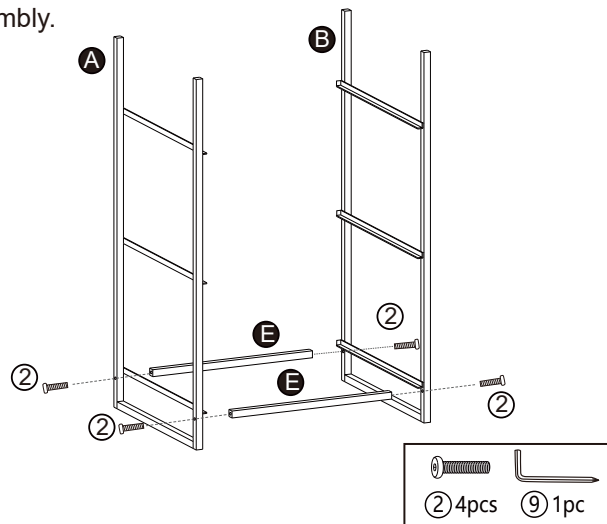
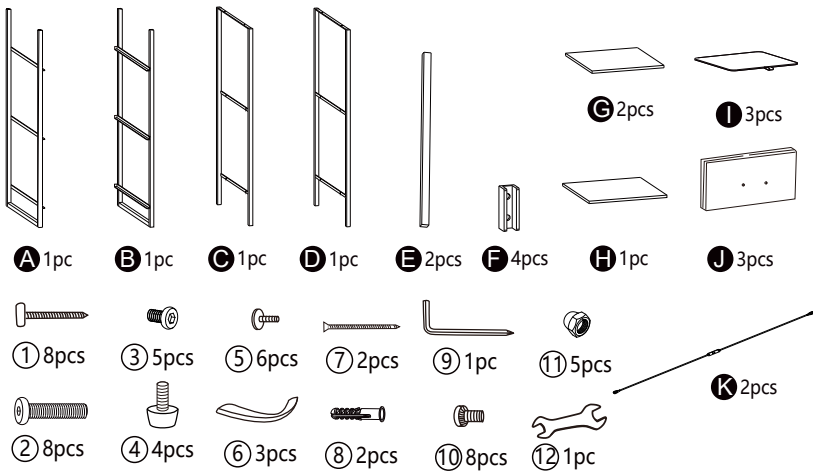


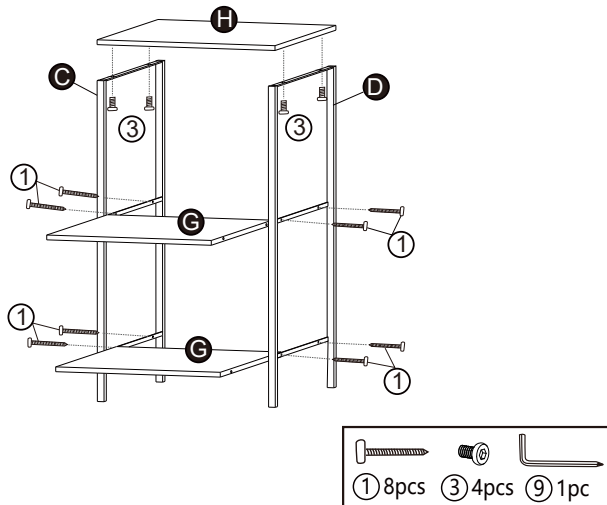
# Assemble Instruction

1

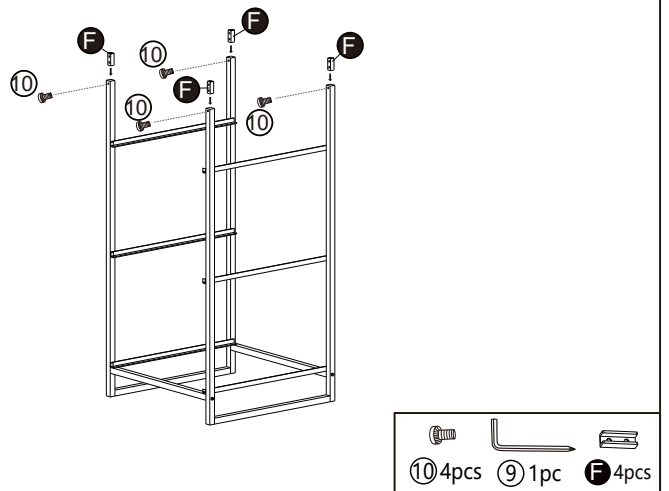
Attention : Do not tighten the screws until you have complete setup assembly.



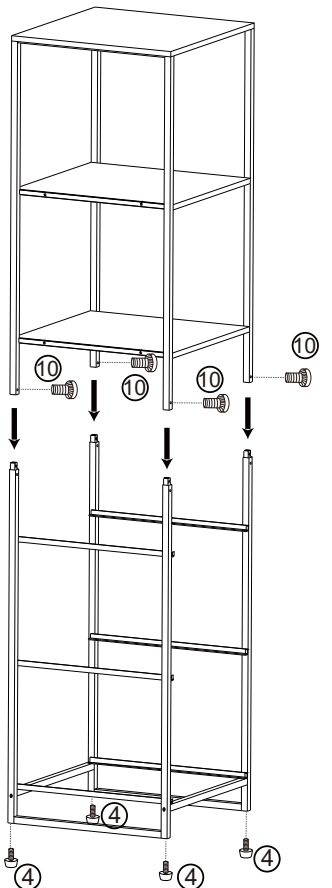
2



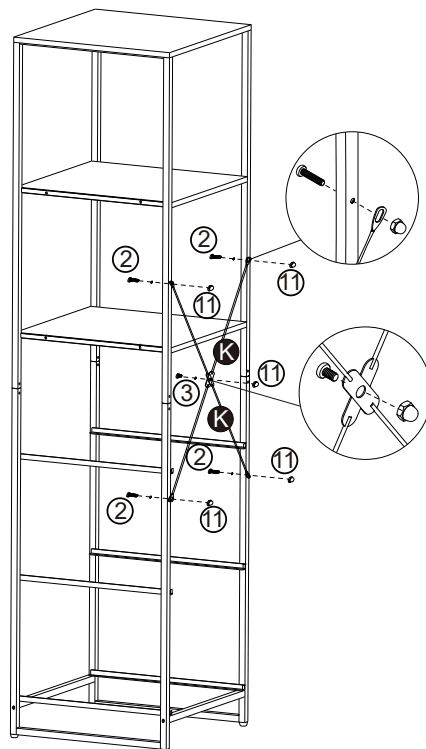
3



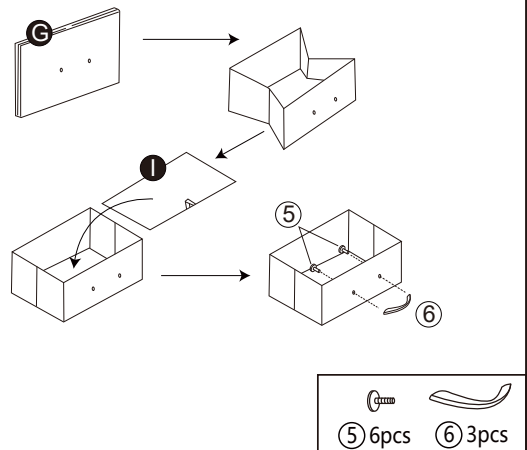
4



5



6



7

