



MANHATTAN COMFORT

888-230-2225

help@manhattancomfort.com

319 Ridge Rd. Dayton, NJ 08810, New Jersey - United States

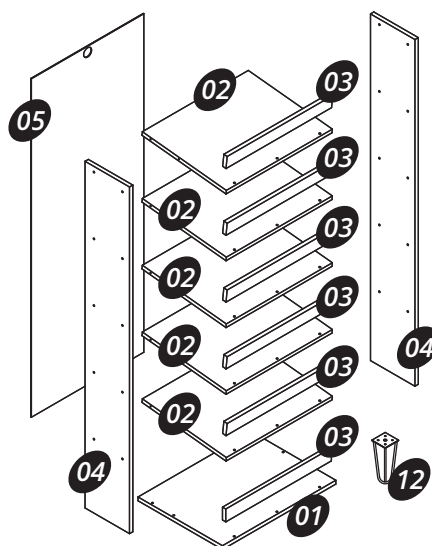


Rockefeller

Shoe Storage Rack

Included in the package

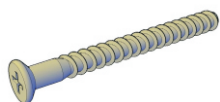
Part	Description	Qty	Box
01	Base	01	01
02	Shelf	05	01
03	Crossbar	06	01
04	Lateral	02	01
05	Rear Panel	01	01
12	Feet	04	01



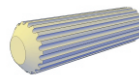
Hardware



A = 16x



B = 36x



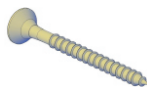
C = 06x



D = 02x



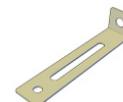
E = 34x



F = 01x



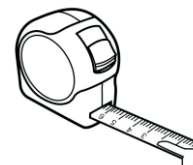
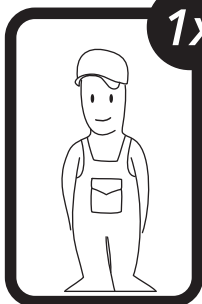
G = 01x

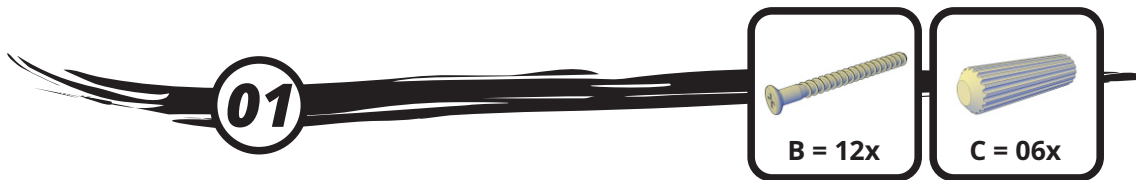
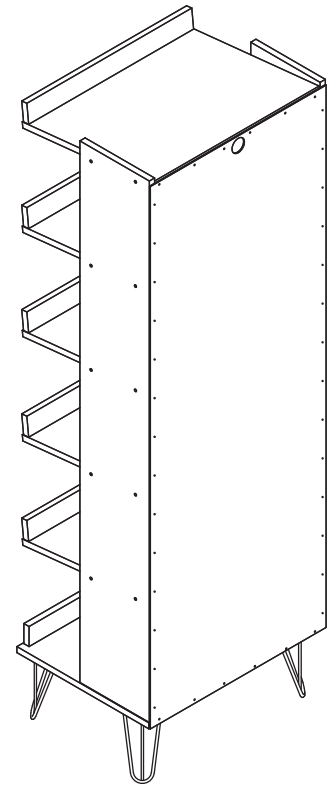
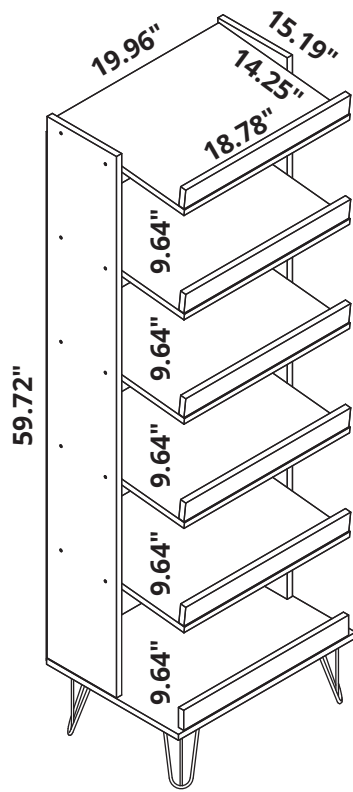
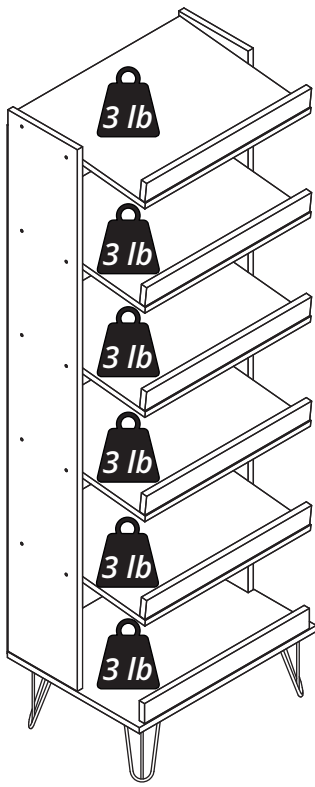


H = 01x

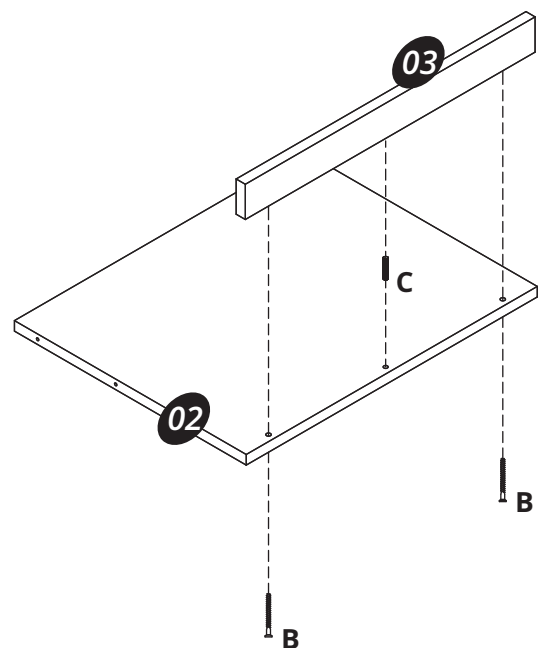
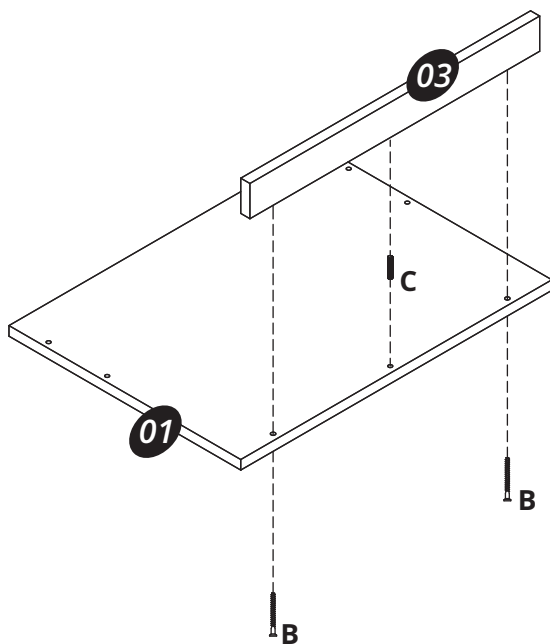
Tools needed (not included)

1x

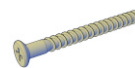




Connect the part (03) onto the parts (01, 02) with the hardware (B + C).

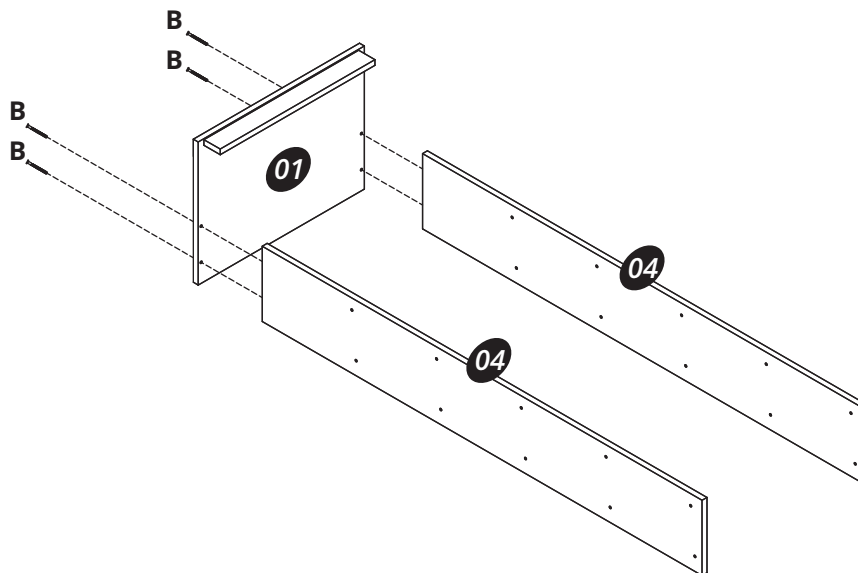


02

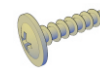


B = 04x

Connect the parts (04) onto the part (01) using the hardware (B).

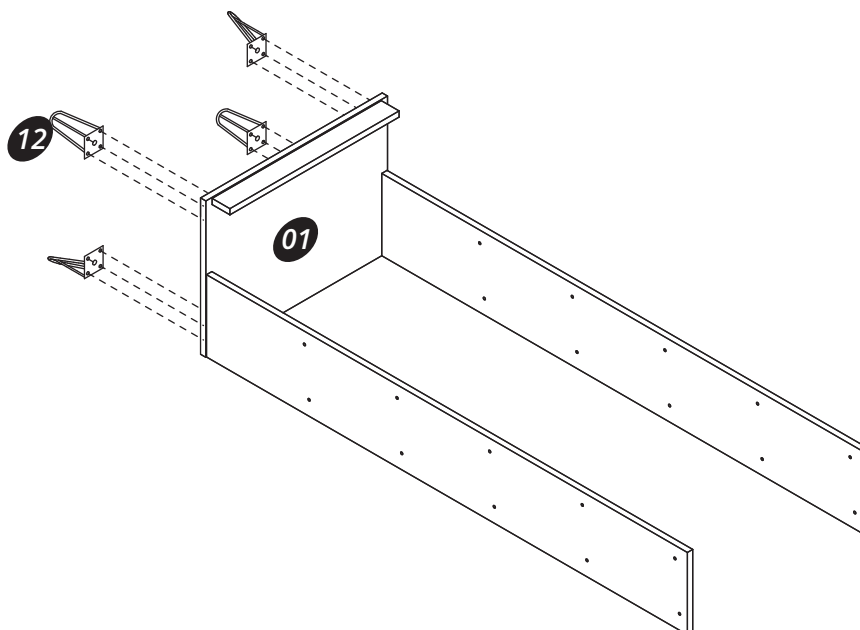
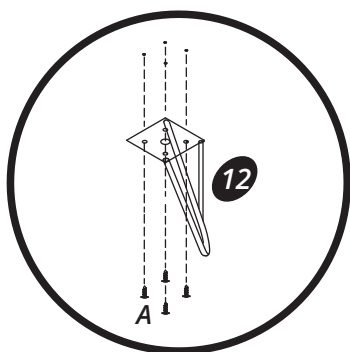


03

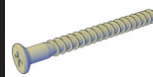


A = 16x

Connect the parts (12) onto the part (01) with the hardware (A).

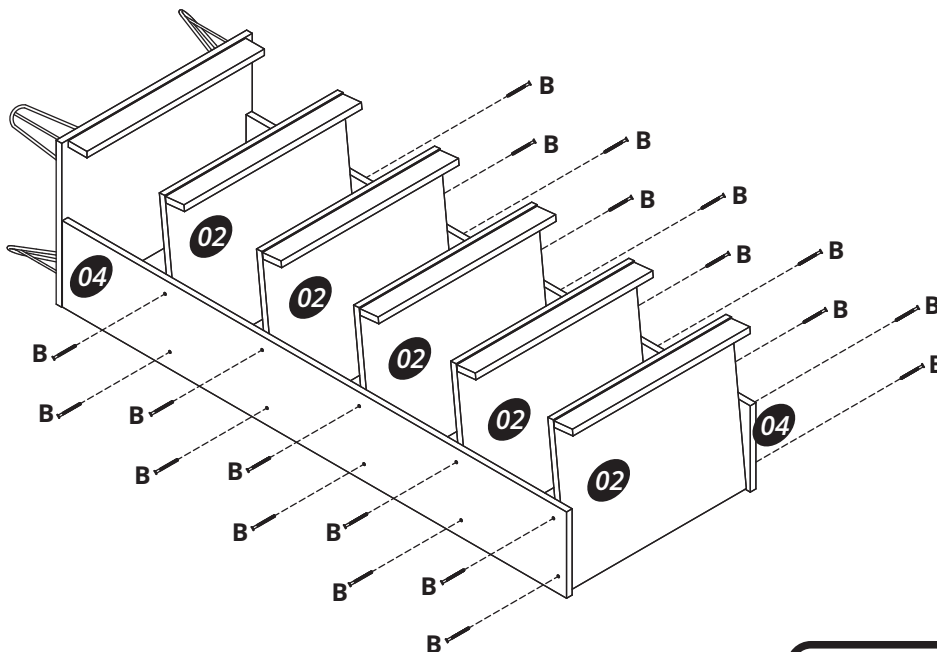


04

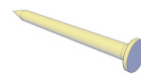


B = 20x

Connect the parts (02) onto the parts (04) using the hardware (B).

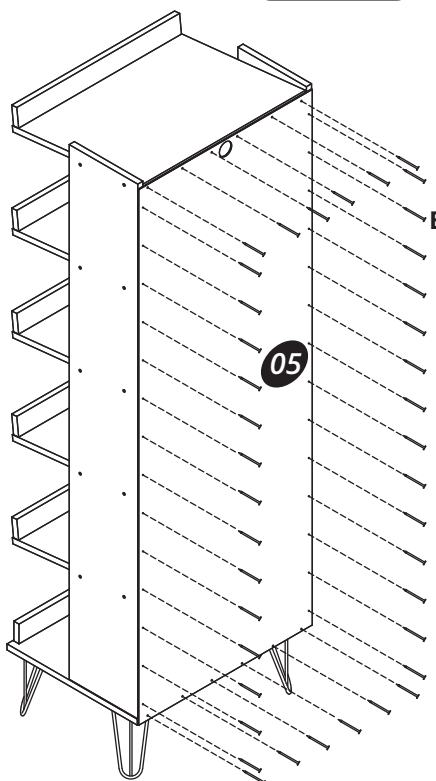


05



E = 34x

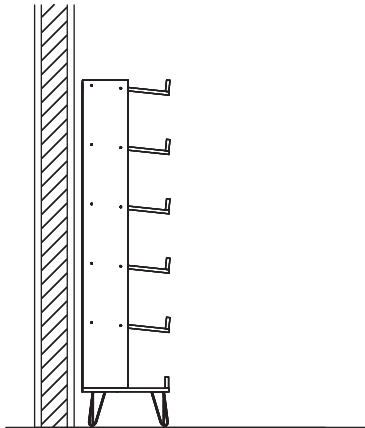
Connect the part (05) using the hardware (E).



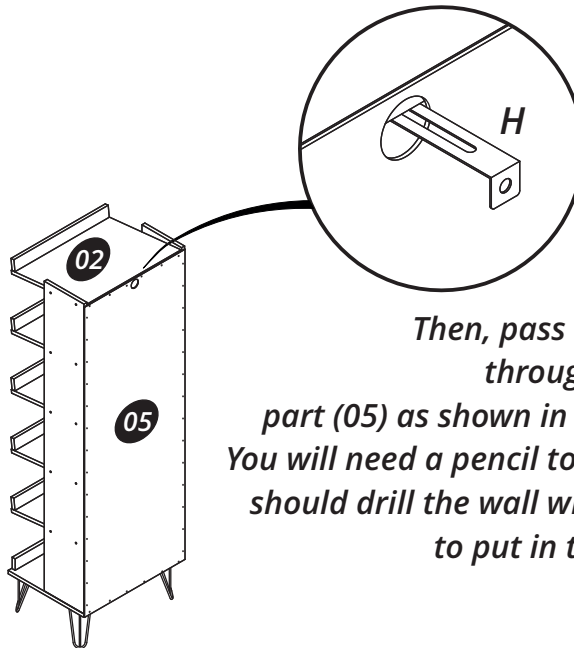
Attention! Tipover System



wall

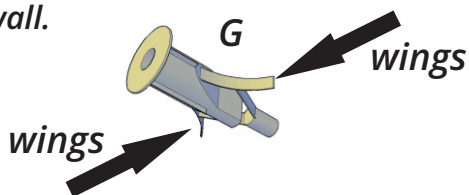


First, approach as close as possible to the wall

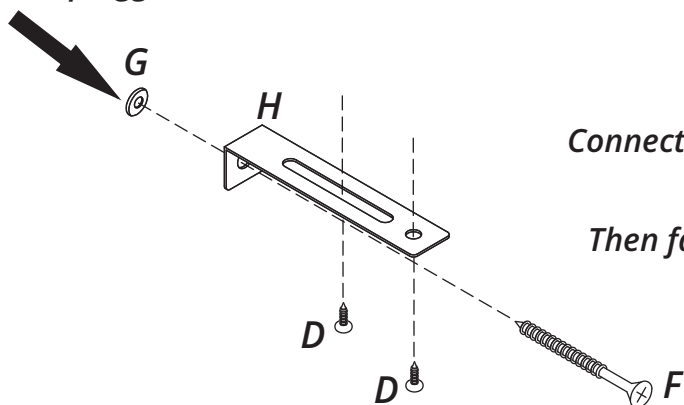


Then, pass the hardware (H) through the hole of the part (05) as shown in the figure above. You will need a pencil to mark where you should drill the wall with a 3/8" drill bit to put in the hardware (G).

*press the hardware wings (G) to put in the hole that you drilled in the wall.



Hardware (G), plugged in the wall.



Connect the hardware (H) onto the wall with the hardware (F).

Then fasten with the hardware (D) the hardware (H) on the part (02)