



# MANHATTAN COMFORT

888-230-2225

[help@manhattancomfort.com](mailto:help@manhattancomfort.com)

319 RIDGE RD, DAYTON, NJ08810, NEW JERSEY - UNITED STATES



# *Hampton*

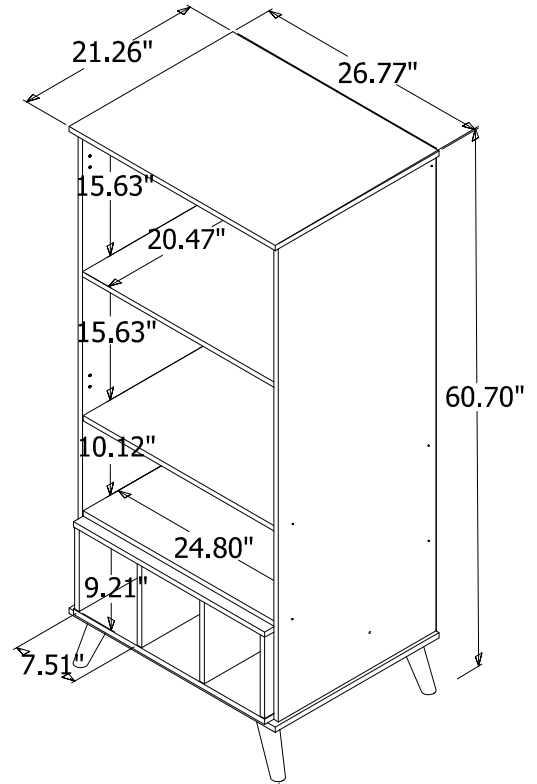
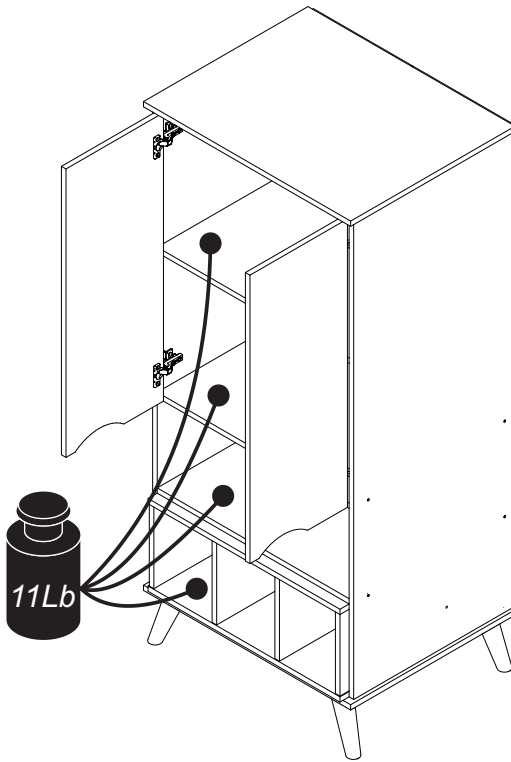
## *Cabinet*

# Technical information

Maximum supported weight

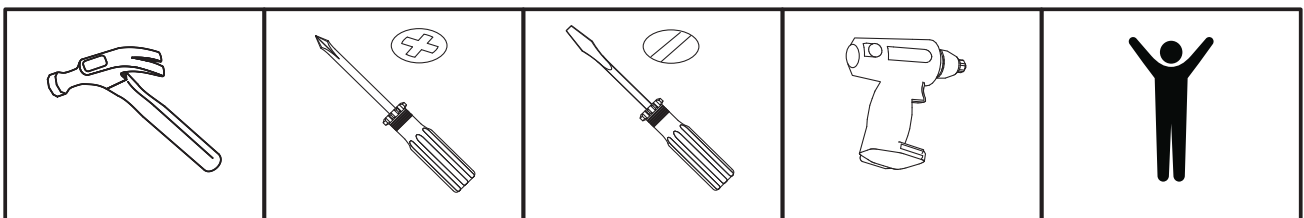
**Dimension:**

W: 26.77" H: 60.70" D: 21.26"

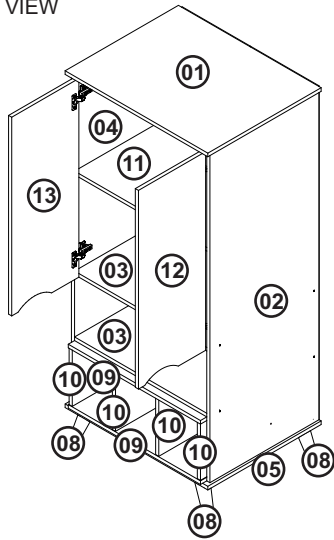


**ASSEMBLY VIDEO**

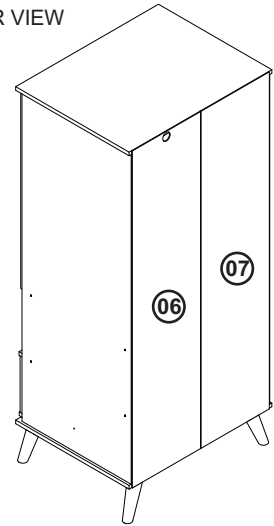
Tools needed (not included)



FRONT VIEW



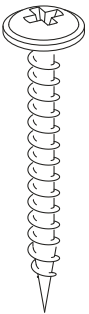
REAR VIEW



PART	DESCRIPTION	QUANTITY
01	TOP	01
02	RIGHT SIDE	01
03	SHELF	02
04	LEFT SIDE	01
05	BASE	01
06	BACK COVER (DRILLED)	01
07	BACK COVER	01
08	FEET	04
09	NICHE TOP/ BASE	02
10	NICHE DIVISION	04
11	ADJUSTABLE SHELF	01
12	RIGHT DOOR	01
13	LEFT DOOR	01

**HARDWARE**

**A** 36x



**B** 04x



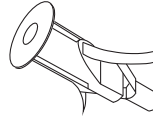
**C** 04x



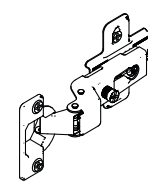
**D** 16x



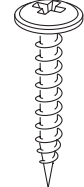
**E** 01x



**F** 04x



**G** 02x



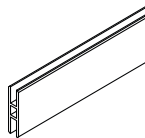
**H** 04x



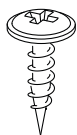
**I** 32x



**J** 01x



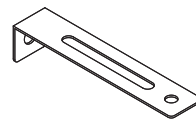
**K** 02x



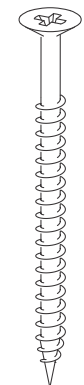
**L** 01x



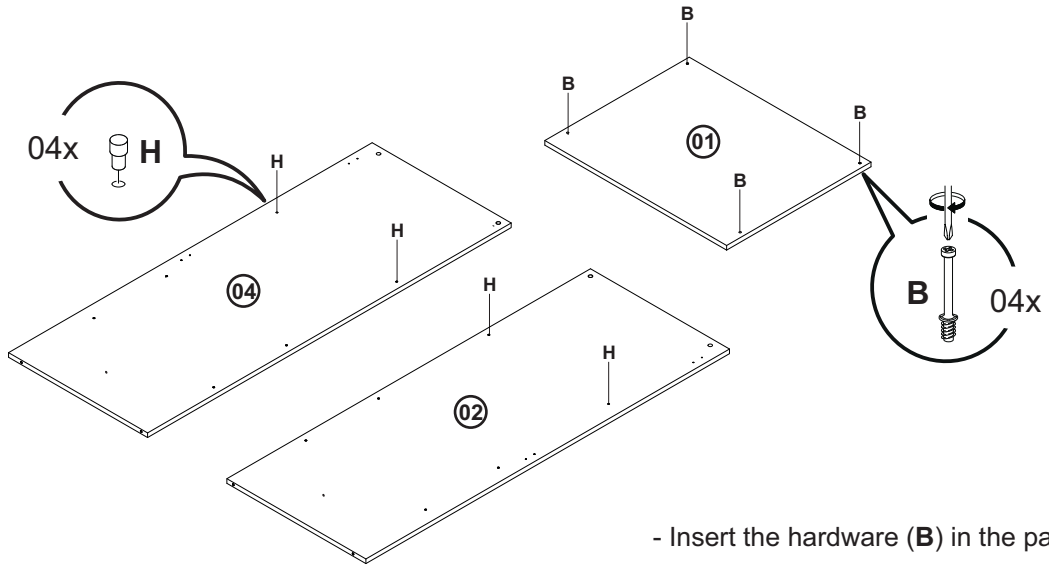
**M** 01x



**N** 01x

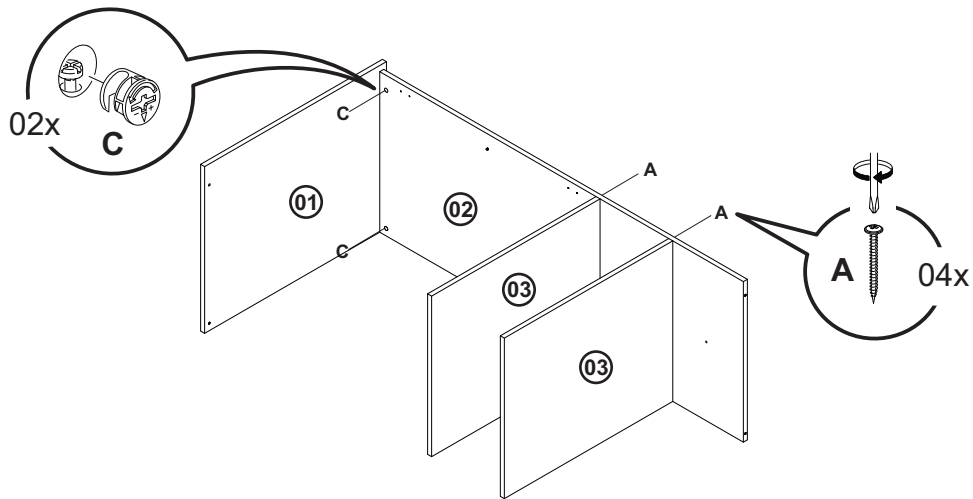


## STEP 1



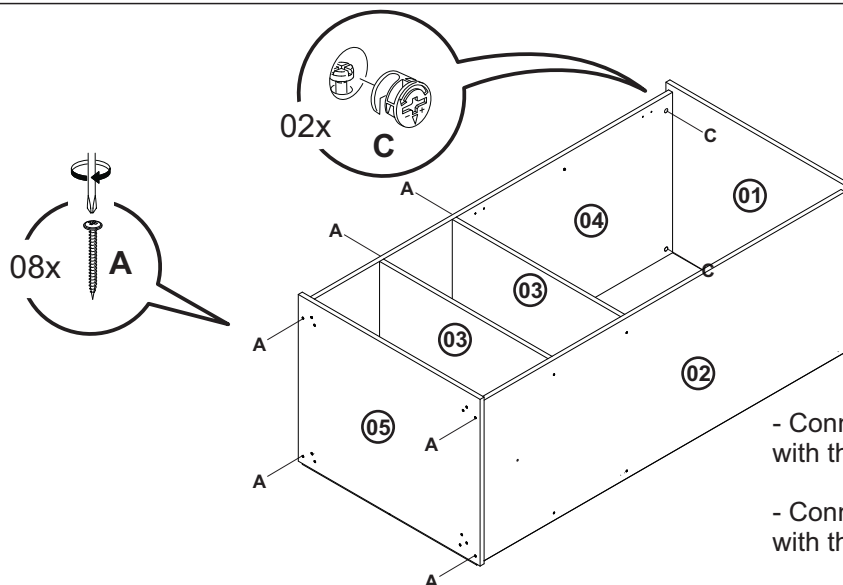
- Insert the hardware (B) in the part (01).
- Insert the hardware (H) in the parts (02, 04).

## STEP 2



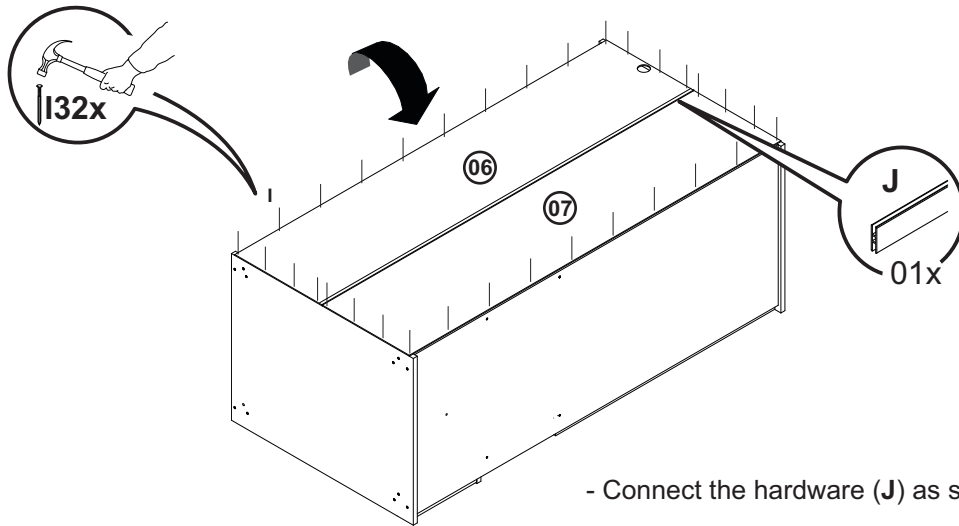
- Connect the parts (01, 02) with the hardware (C).
- Connect the parts (03) with the hardware (A).

## STEP 3



- Connect the part (04) onto the part (01) with the hardware (C).
- Connect the part (04) onto the parts (03) with the hardware (A).
- Connect the part (05) onto the parts (02, 04) with the hardware (A).

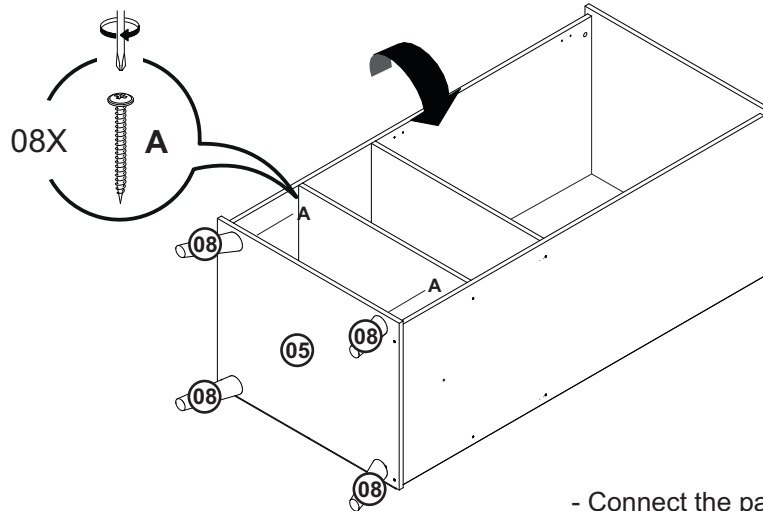
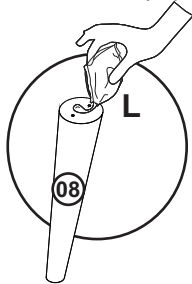
## STEP 4



- Connect the hardware (J) as showed above.
- Connect the parts (06, 07) with the hardware (I+J).

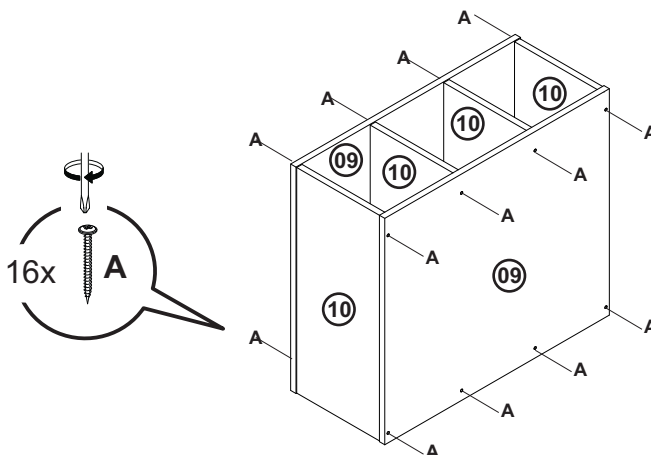
## STEP 5

  
USE THE GLUE (L)  
BEFORE FASTENING  
THE FEET (08).



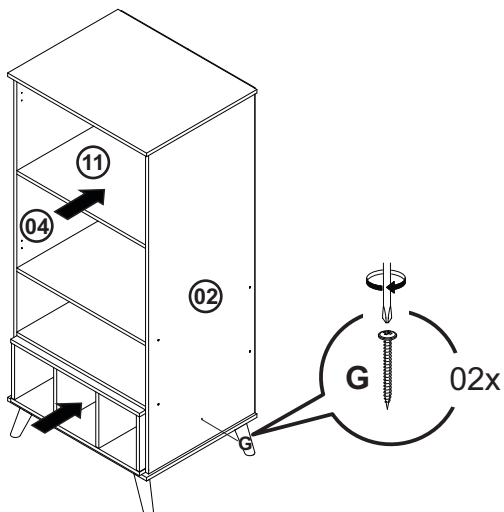
- Connect the part (08) under the part (05) using two screws (A) for each one.

## STEP 6



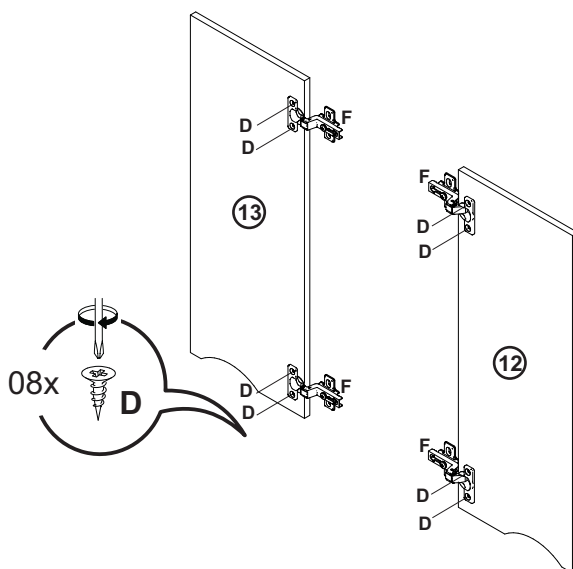
- Connect the parts (09, 10) with the hardware (A).

## STEP 7



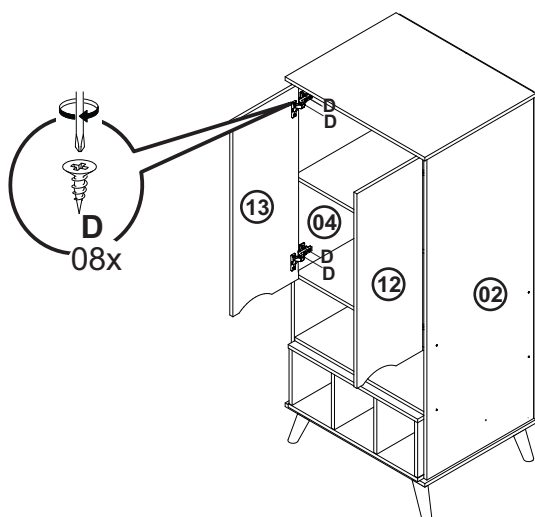
- Connect the part (11) and the niche onto the parts (02, 04) with the hardware (G).

## STEP 8



- Connect the hinges (F) into the parts (12, 13) with the hardware (D).

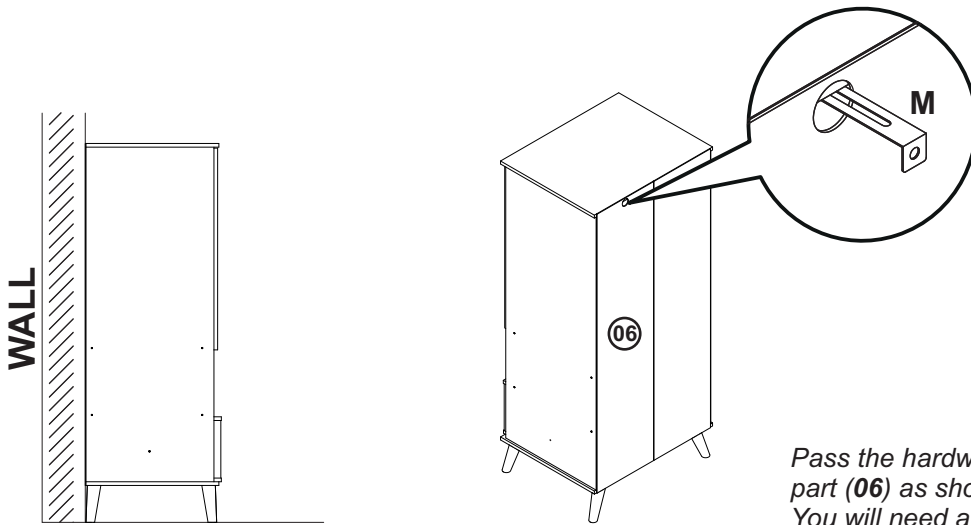
## STEP 9



- Connect the part (12) onto the part (02) and the part (13) onto the part (04) with the hardware (D).

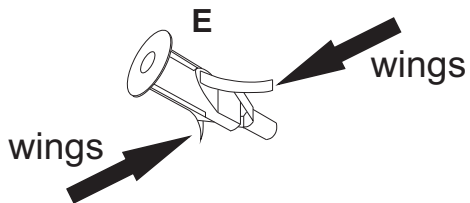
## Attention! This step is very important!

You need to attach the furniture on the wall to avoid any tip over risk. Follow the procedures as showed below.



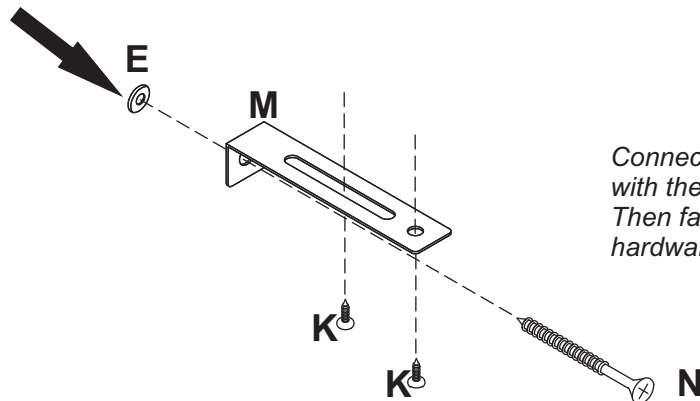
Approach as close as possible to the wall.

Pass the hardware (M) through the hole of the part (06) as shown in the figure. You will need a pencil to mark where you should drill the wall with a 3/8" drill bit to put in the hardware (E).



\*Press the hardware wings (E) to put in the hole that you drilled in the wall.

Hardware (E), plugged in the wall.



Connect the hardware (M) onto the wall with the hardware (N). Then fasten with the hardware (K) the hardware (M) on the part (01).