

ASSEMBLY INSTRUCTIONS

Hanley 2 Doors Accent Cabinet



Important safety instructions:

- Please read carefully all instructions before assembling.
- For your safety and ease, assembly by two or more adults is recommended.
- Keep instructions for future use.






Pre-assembly:

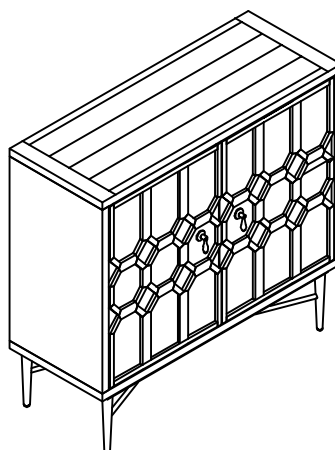
- Do not discard any contents until after assembly is complete to avoid accidentally discarding small parts or hardware.
- Remove all parts and hardware from box along with any protective packaging.

Parts List

Item	Description	QTY
P1	Cabinet 	1
P2	Metal Base 	1

Hardware List

Item	Description	QTY
H1	Bolt Ø5/16**5/8"L 	6
H2	Lock Washer 5/16" 	6
H3	Flat washer 5/16" 	6
H4	Allen Wrench 5/16" 	1
H5	Anti Tip Kit 	1 SET



Assembly Procedures:

Step 1. Place the cabinet (P1) on a flat, soft surface such as a carpet or cloth to prevent scratching the finish. Attach the metal base (P2) to the bottom of cabinet (P1) as shown below image 1.

(H1)x6 Bolt Ø5/16**5/8"L

(H2)x6 Lock Washer 5/16"

(H3)x6 Flat washer 5/16"

(H4)x1 Allen Wrench 5/16"

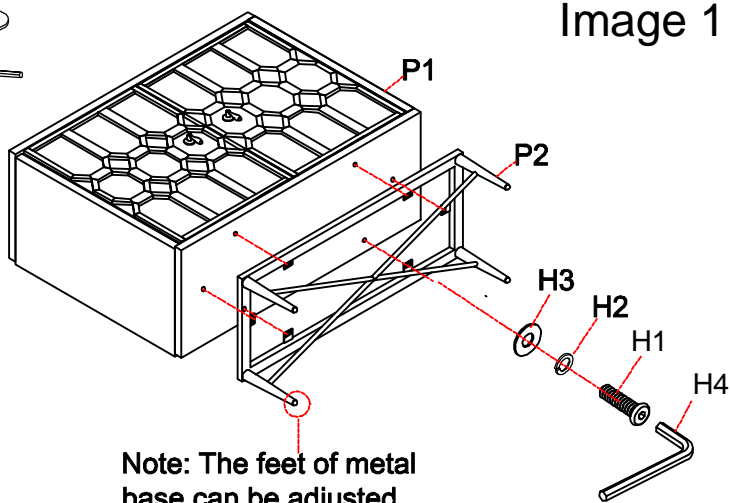
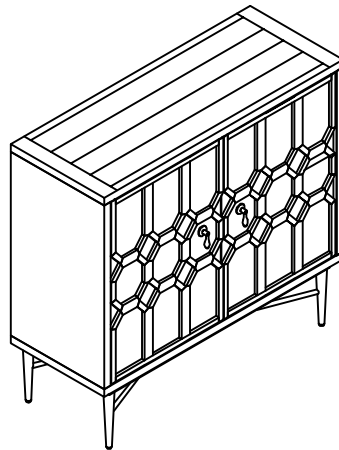


Image 1

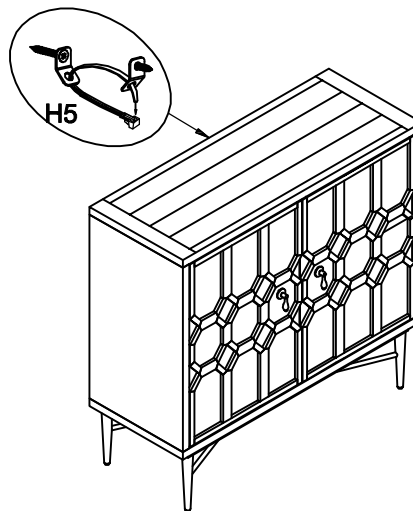
Note: The feet of metal base can be adjusted with adjustable levelers.

Step 2. Securely tighten all bolts, then turn the assembled cabinet to an upright position. Assembly is complete. Failure to follow these instructions may cause the bolts to misalign during assembly.



Step 3. Recommend that you attach the products to a wall as a safety precaution. Please see the other instructions "Furniture Safety Bracket Tip Resistant".

(H5)x1 Anti Tip Kit  1 SET



Warning:

Serious or fatal injuries can occur from furniture tip-over. To help prevent furniture tip-over:

Use provided mounting hardware to secure furniture to the wall. This may reduce but not eliminate the risk of furniture tip-over.

Do not allow children to climb on furniture.

Keep remote controls, toys, and other items that might attract children off of this product.

Unless specifically designed to accommodate, do not set televisions or other heavy objects on top of this product.

ADDITIONAL NOTE ABOUT SAFETY: BOLTS MAY LOOSEN DURING NORMAL EVERYDAY USE. THEY SHOULD BE PERIODICALLY INSPECTED AND RE-TIGHTENED TO PREVENT DAMAGE OR INJURY. ALWAYS CHECK TO BE SURE THAT ALL HARDWARE IS KEPT TIGHTENED.

Thank you for your purchase

Furniture Safety Bracket Tip Resistant

- Designed to help prevent furniture tipover.
- Detachable strap allows for easy moving of furniture for cleaning.
- Also helps prevent furniture tipover during minor tremore.

Installation:

Short Screw (1pc)



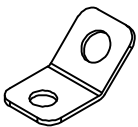
Long Screw (1pc)



Strap (1pc)



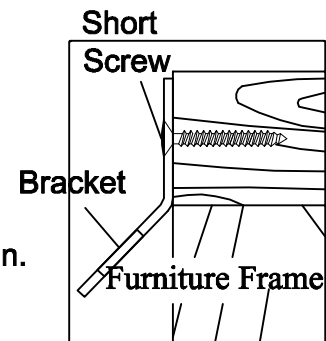
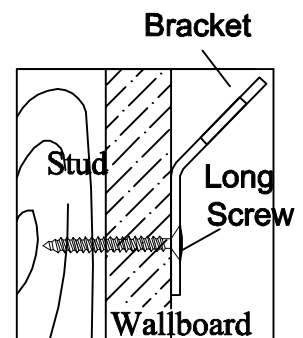
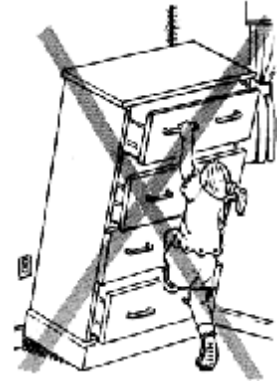
Bracket (2pcs)



1. Locate a wall stud behind your furniture. Position a bracket on the stud approximately 1" below the top frame of the furniture. Mark and drill pilot hole into the center of the stud with a 3/32" drill bit. Attach a bracket to the stud with the long screws provided.

2. On the back of the furniture, a bracket will need to be attached to the furniture frame at the top. To do this, temporarily move the furniture into its final position and mark the location of the wall bracket on the furniture frame. Move the furniture away from the wall and place a bracket on the mark. Mark and drill holes for screws with a 3/32" drill bit. Attach the bracket to the furniture with the short screws provided.

3. Move the furniture into its final position, taking care to line up the wall bracket with the furniture bracket. Thread a strap through the bracket as shown in the illustration. Tighten strap until snug. Don not overtighten.



Important:

Check to be sure the wall bracket is firmly screwed into wall stud, the furniture bracket is firmly attached to the frame, and the strap is snug.

Caution:

This product is not to be a substitute for proper parental supervision. Manufacturer assumes no liability for improper installation or excessive loads placed on screws brackets or straps.

Warning:

Serious or fatal injuries can occur from furniture tip-over. To help prevent furniture tip-over: Use provided mounting hardware to secure furniture to the wall. This may reduce but not eliminate the risk of furniture tip-over.

Do not allow children to climb on furniture.

Keep remote controls, toys, and other items that might attract children off of this product.

Unless specifically designed to accommodate, do not set televisions or other heavy objects on top of this product.

