



MANHATTAN  
COMFORT

888-230-2225

[help@manhattancomfort.com](mailto:help@manhattancomfort.com)

319 RIDGE RD, DAYTON, NJ08810, NEW JERSEY - UNITED STATES



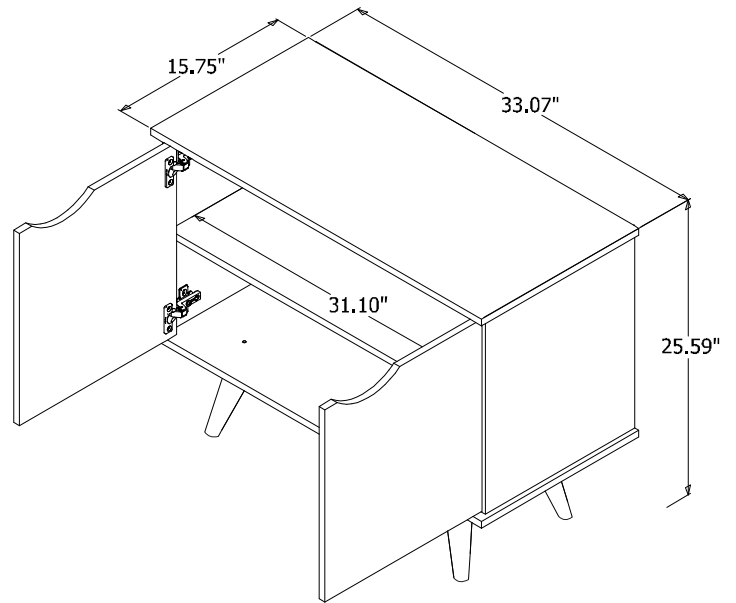
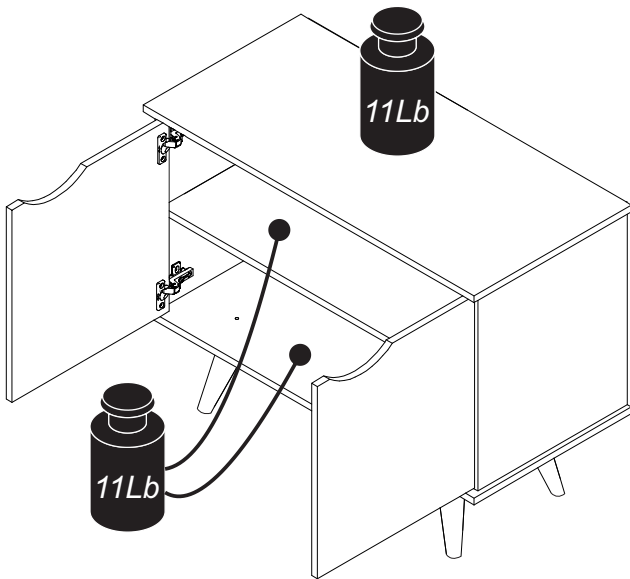
***Hampton***  
*accent cabinet 33.46"*

# Technical information

Maximum supported weight

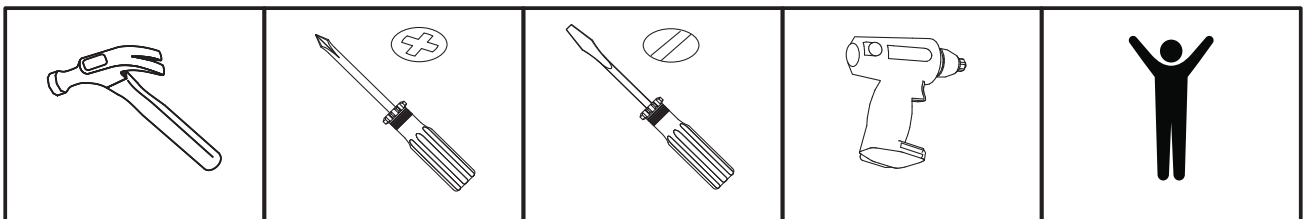
Dimension:

W: 33.07" H: 25.59" D: 15.75"

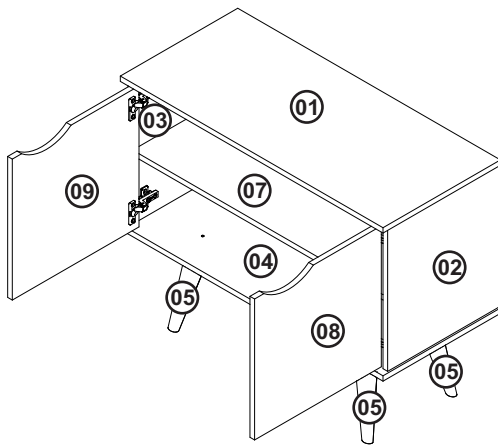


ASSEMBLY VIDEO

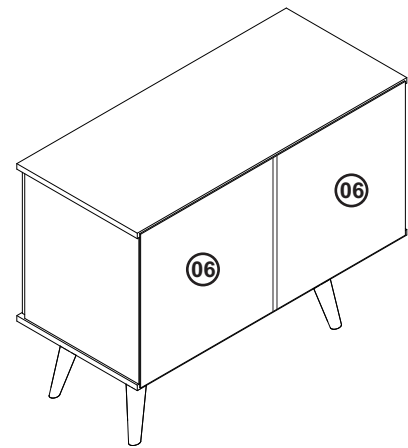
Tools needed (not included)



FRONT VIEW



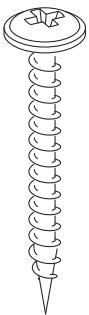
REAR VIEW



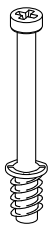
PART	DESCRIPTION	QUANTITY
01	TOP	01
02	RIGHT SIDE	01
03	LEFT SIDE	01
04	BASE	01
05	FEET	04
06	BACK COVER	02
07	SHELF	01
08	RIGHT DOOR	01
09	LEFT DOOR	01

## HARDWARE

A 04x



B 04x



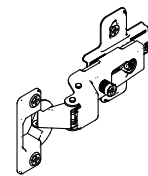
C 04x



D 16x



E 04x



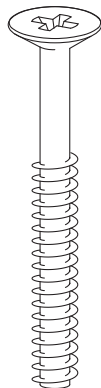
F 04x



G 04x



H 04x



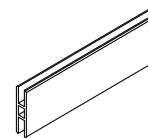
I 30x



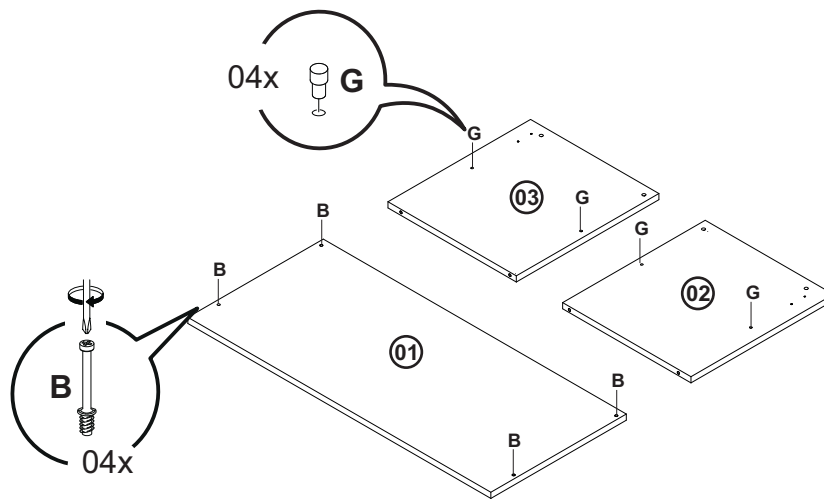
J 01x



K 01x

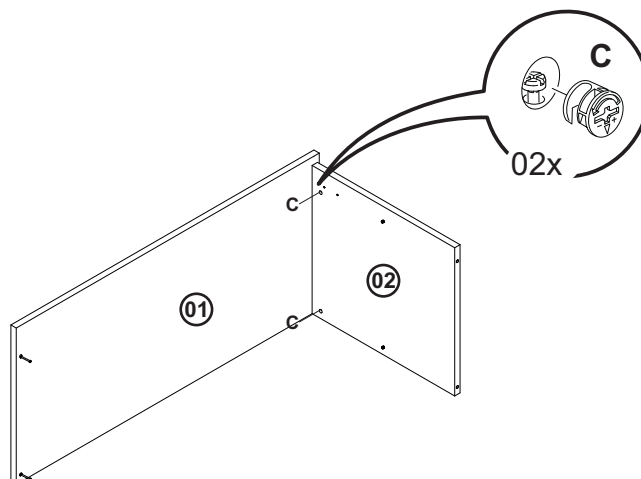


### STEP 1



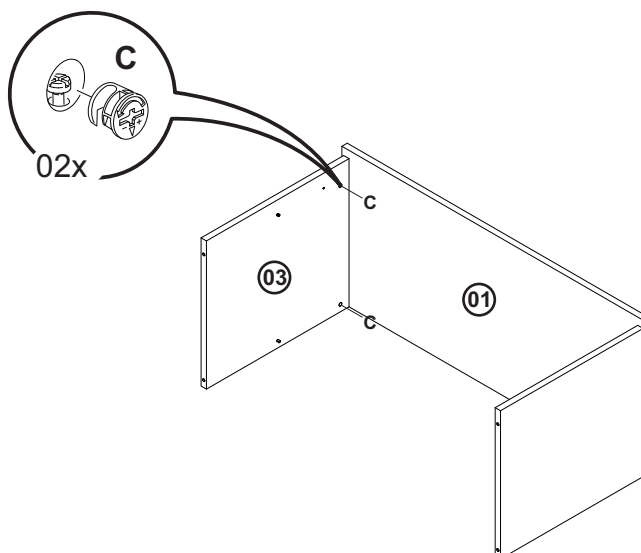
- Insert the hardware (B) in the part (01).
- Insert the hardware (G) in the parts (02, 03).

### STEP 2




- Connect the parts (01, 02) with the hardware (C).

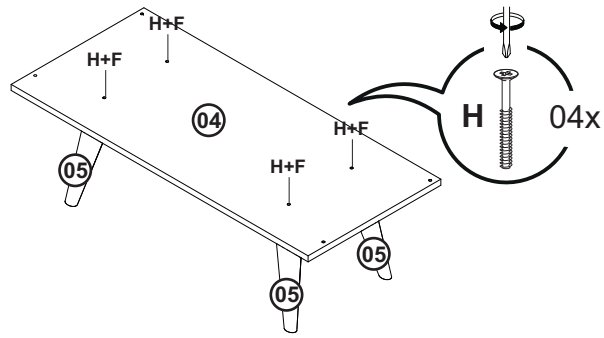
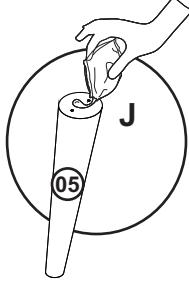
### STEP 3



- Connect the part (03) onto the part (01) with the hardware (C).

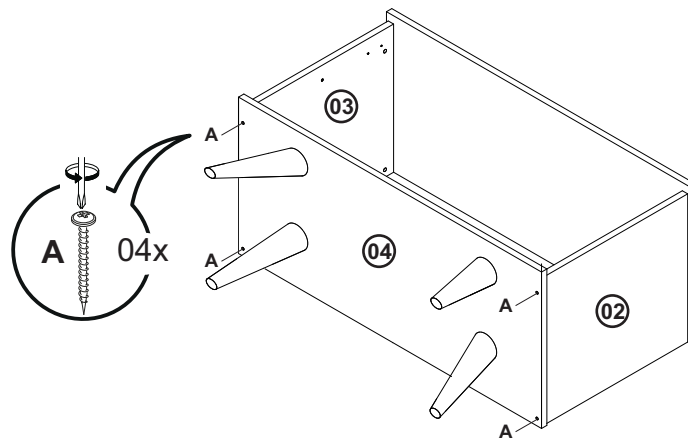
## STEP 4

  
USE THE GLUE (J)  
BEFORE FASTENING  
THE FEET (05).



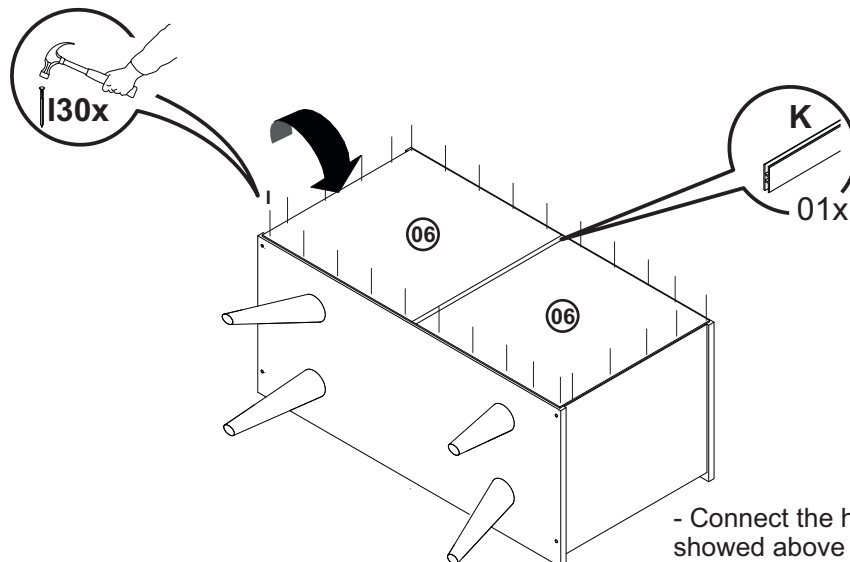
- Connect the parts (05) under the part (04) with the hardware (H+F).

## STEP 5



- Connect the part (04) onto the parts (02, 03) with the hardware (A).

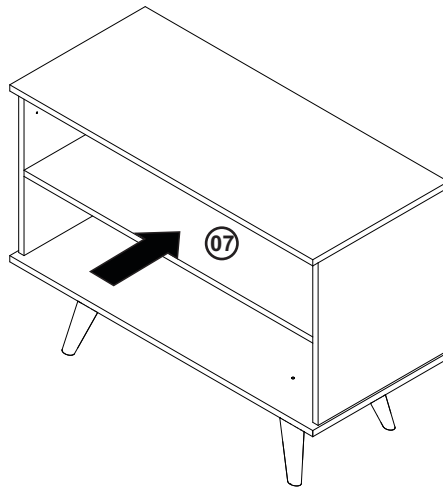
## STEP 6



- Connect the hardware (K) as showed above

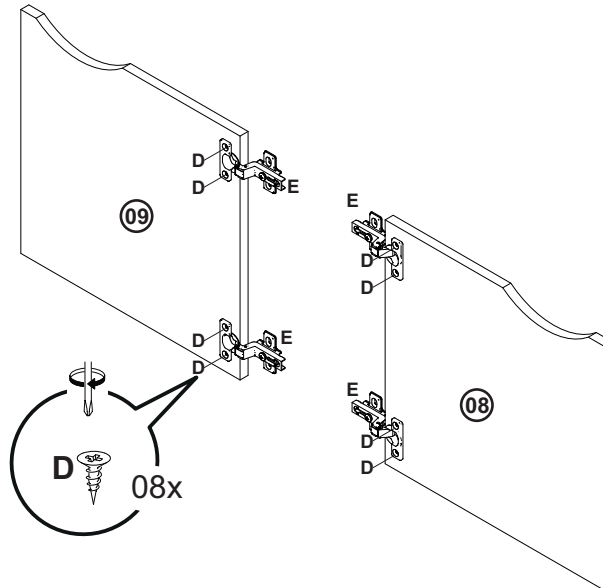
- Connect the parts (06) with the hardware (I).

## STEP 7



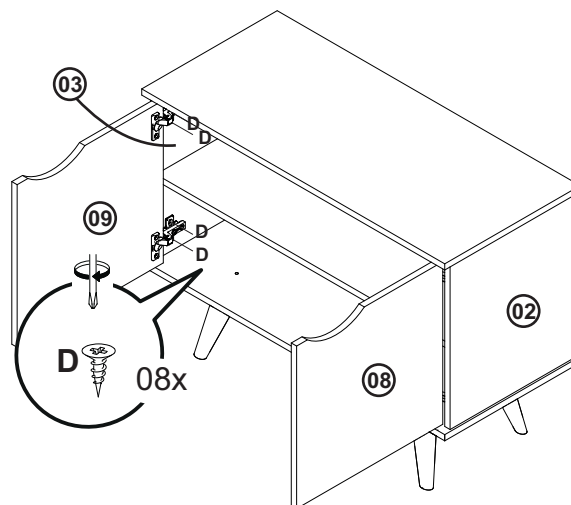
- Insert the part (07) as showed above.

## STEP 8



- Connect the hinges (E) into the parts (08, 09) with hardware (D).

## STEP 9



- Connect the part (08) onto the part (02) and the part (09) onto the part (03) with the hardware (D).