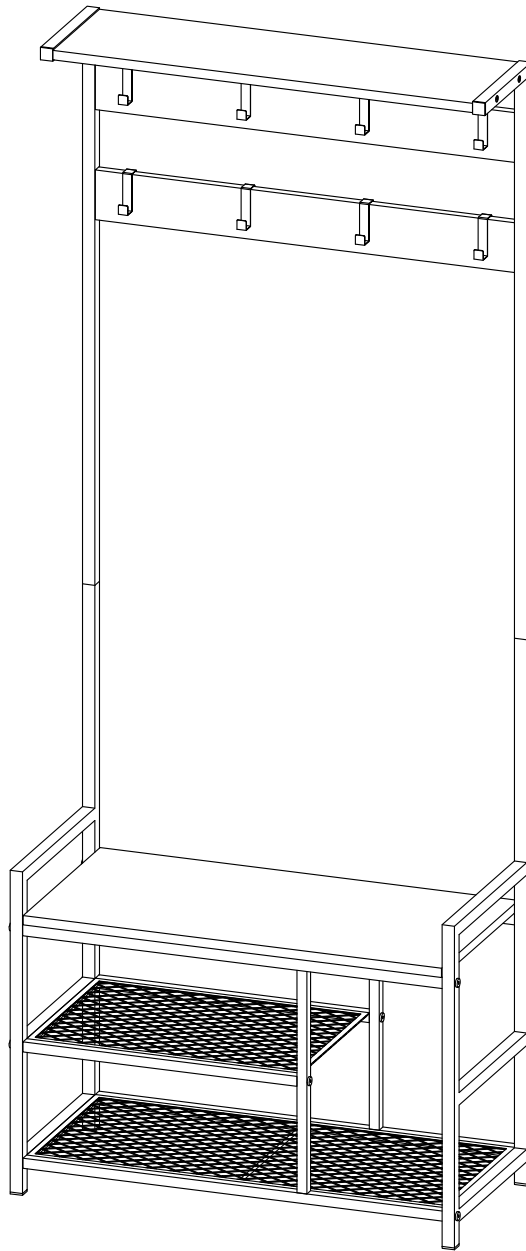
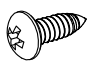
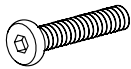
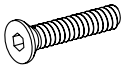
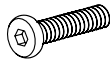
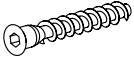
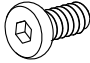
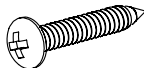



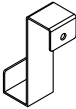



Bench with Coat Hanger

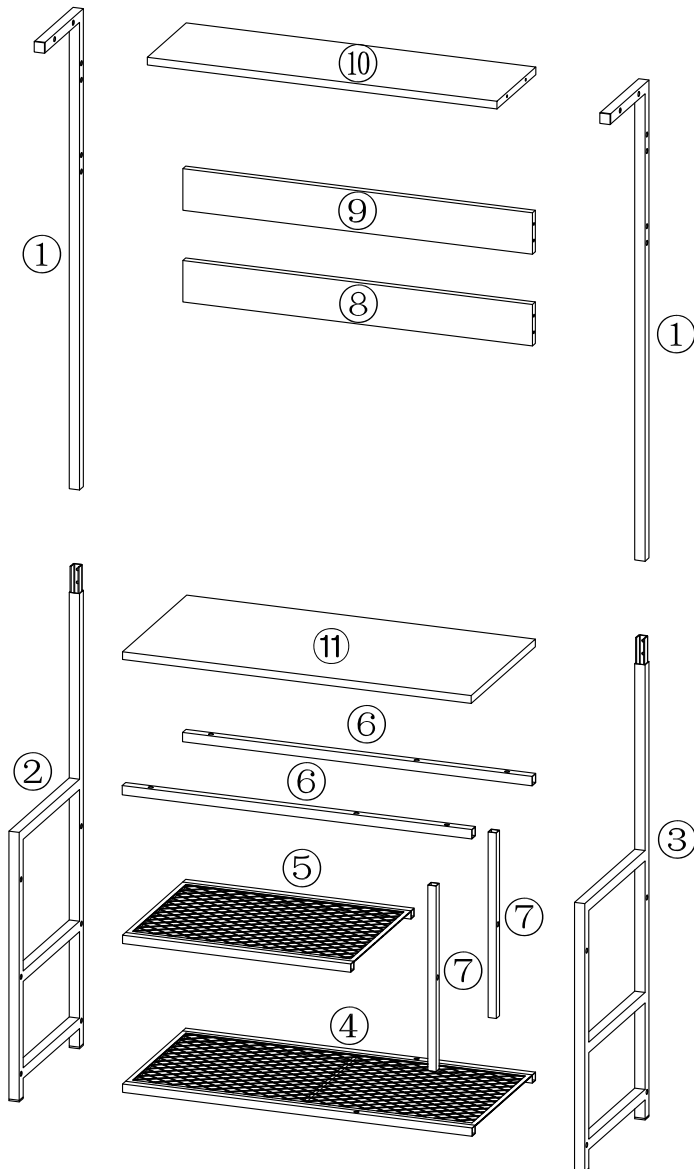


ASSEMBLY INSTRUCTION

HARDWARE LIST

a		b		c		d		e	
10 PCS	4x12mm	12 PCS	6x40mm	4 PCS	6x40mm	4 PCS	6x28mm	12 PCS	7x40mm
f		g		h		i		j	
4 PCS	6x12mm	2 PCS	4x40mm	4 PCS	13x1mm	2 PCS		2 PCS	
k		l							
8 PCS		1 PC							

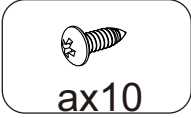
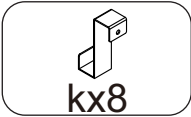
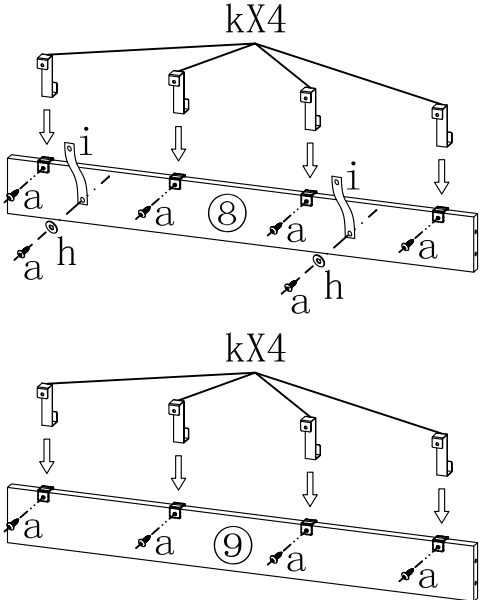
PARTS LIST



ASSEMBLY STEPS

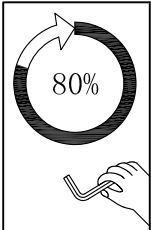
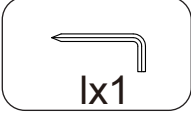
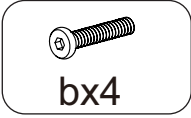
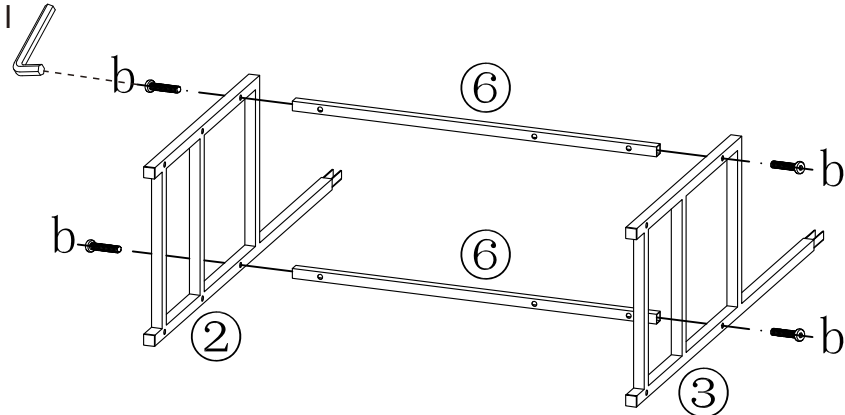
STEP 1.

Fix wall straps (i) to part 8 using washers (h) and screws (a), as shown.
Fix coat hangers (k) to parts 8 and 9 using screws (a), as shown.



STEP 2.

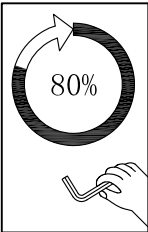
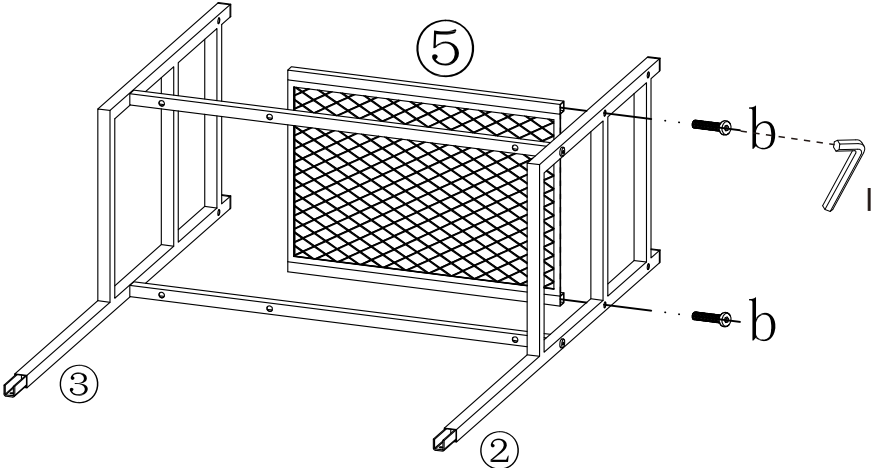
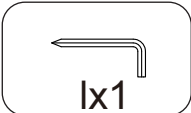
Fix parts 6 to frames 2 and 3 using screws (b) and allen key (l), as shown.



ASSEMBLY STEPS

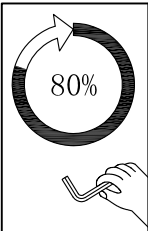
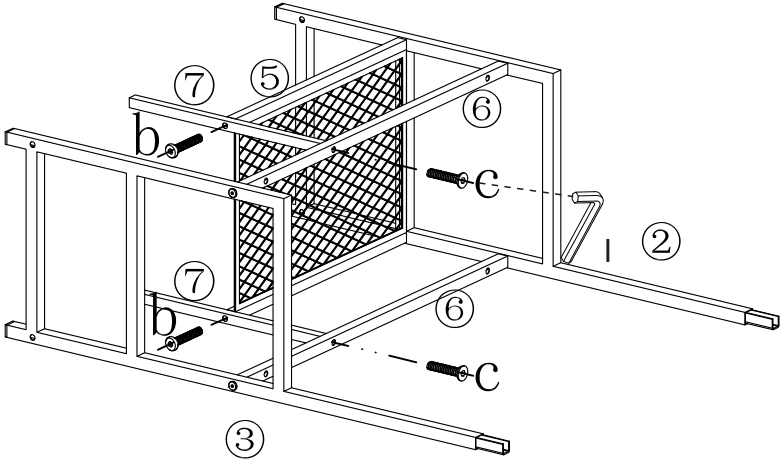
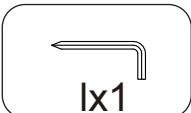
STEP 3.

Fix part 5 to part 2 using screws (b) and allen key, as shown.



STEP 4.

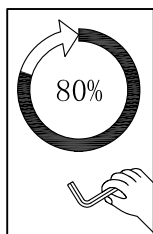
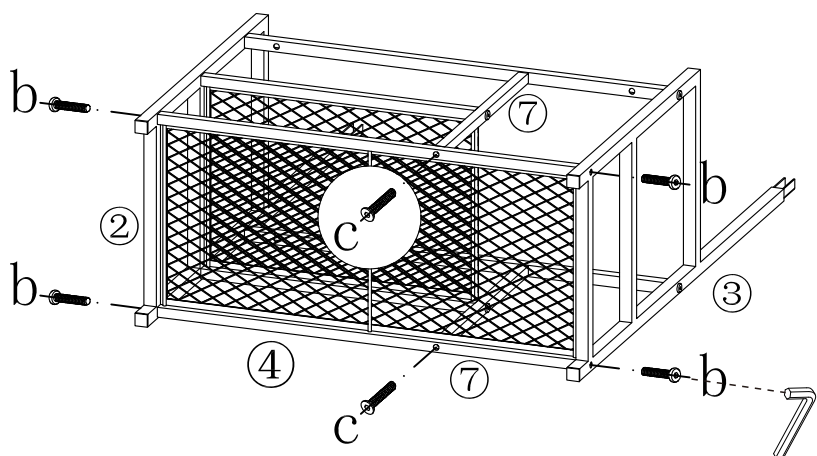
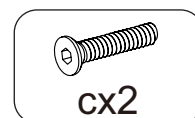
Fix parts 7 to part 5 and part 6 using screws (b) and (c) with allen key, as shown.



ASSEMBLY STEPS

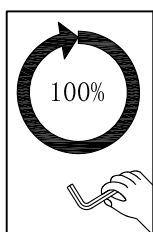
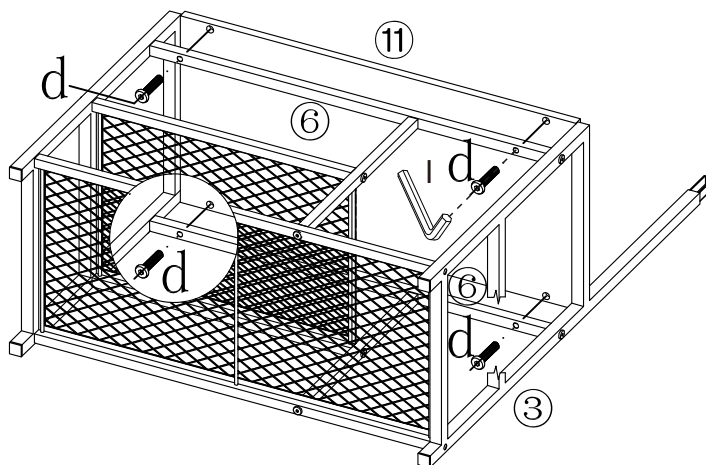
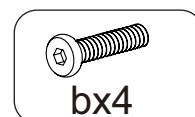
STEP 5.

Fix part 4 to assembly unit using screws (b) and (c) with allen key, as shown.



STEP 6.

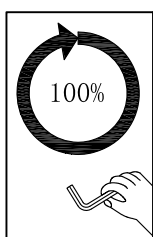
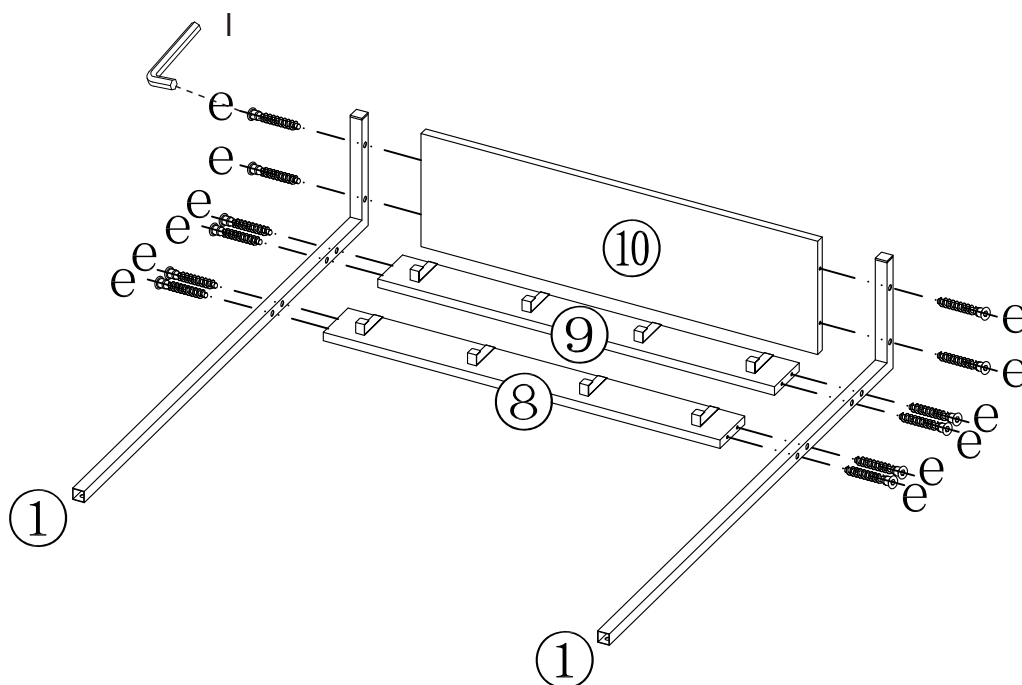
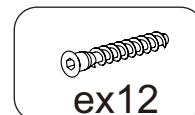
Fix part 11 to assembly unit using screws (d) and allen key, as shown.



ASSEMBLY STEPS

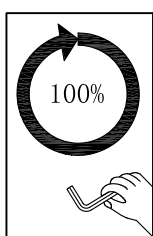
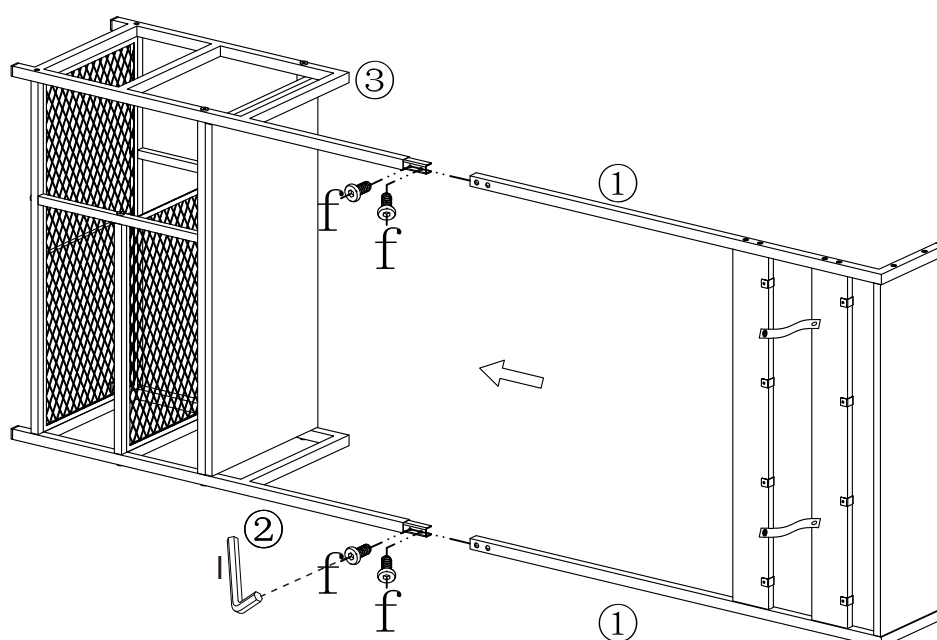
STEP 7.

Fix parts 8, 9 and 10 to parts 1 using screws (e), as shown.



STEP 8.

Insert parts 1 into parts 2 and 3, and fix using screws (f) with allen key, as shown.



ASSEMBLY STEPS

STEP 9.

For extra stability, you must fix your bench to the wall using hardware (j, g and h), as shown. Screws (g) are fixed through washers (h) and wall bracket (i) and into the wall plug (j). Should you choose not to affix the product to the wall, serious injury may be caused if the product tips over.

