



PARTS LIST / LISTE DES PIÈCES / LISTA DE PIEZAS

ITEM NO. / ARTICLE NO. / ARTICULO NO.: DS-2542-850-1

DESCRIPTION / DESCRIPCIÓN : FARMHOUSE HALL CHEST - GREY/COFFRE DE COULOIR GRIS/COFRE DE PASILLO GRIS

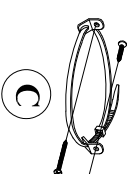
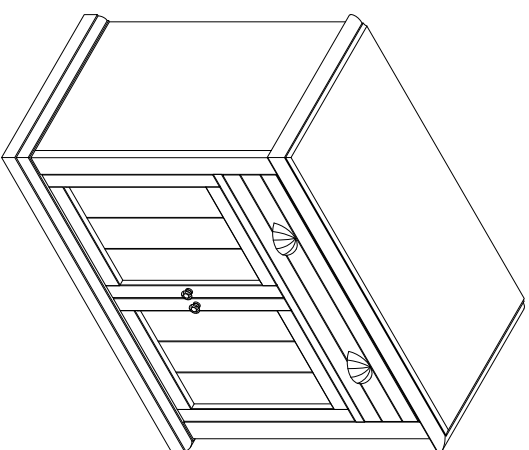
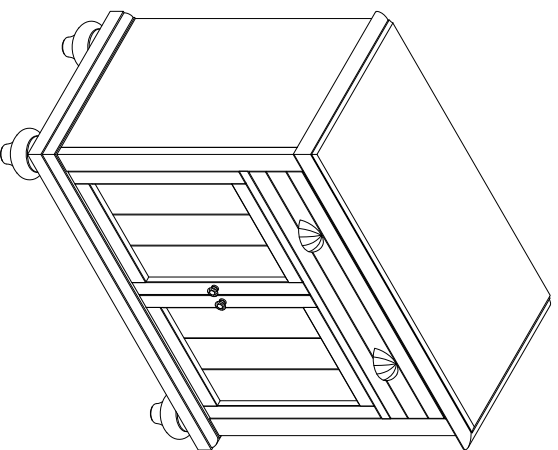
⚠ WARNING

Children have died from furniture tipover. To reduce the risk of furniture tipover:

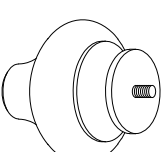
- ALWAYS install tipover restraint provided.
- NEVER put a TV on this product.
- NEVER allow children to stand, climb or hang on drawers, doors, or shelves.
- NEVER open more than one drawer at a time.
- Place heaviest items in the lowest drawers.

This is a permanent label.

Do not remove !



- x1 Furniture Tipping Restraint *
- x1 Systeme antibasculement
- x1 Control para evitar vuelcos



- x1 Chest
- x1 Coffre décoratif
- x1 Baúl decorativo

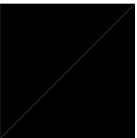
- x4 Bun Foot *
- x4 Pied en Fome d'oignon
- x4 Pata redonda

* Replaceable Part

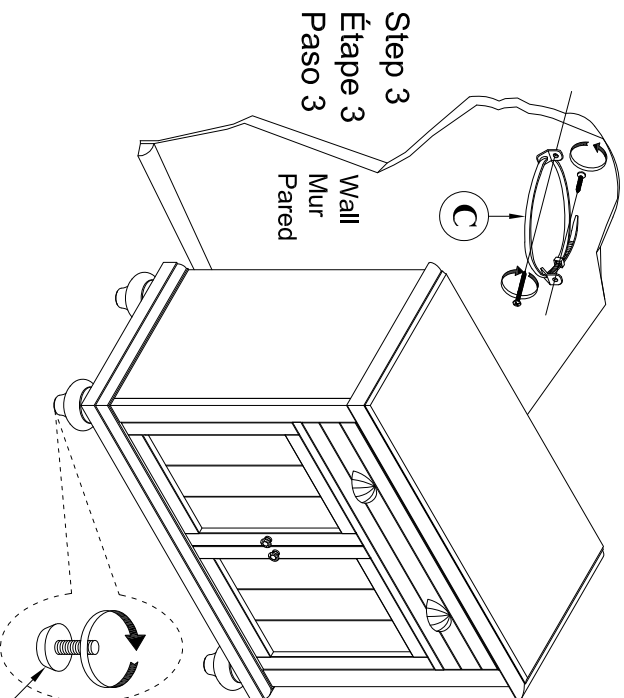
ASSEMBLY INSTRUCTIONS / NOTICE DE MONTAGE / INSTRUCCIONES DE MONTAJE

ITEM NO. / ARTICLE NO. / ARTICULO NO.: DS-2542-850--1

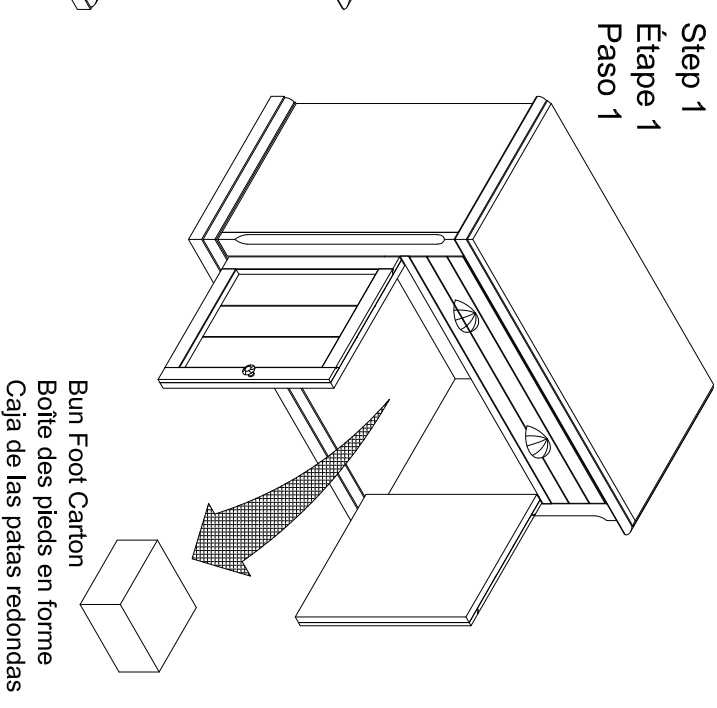
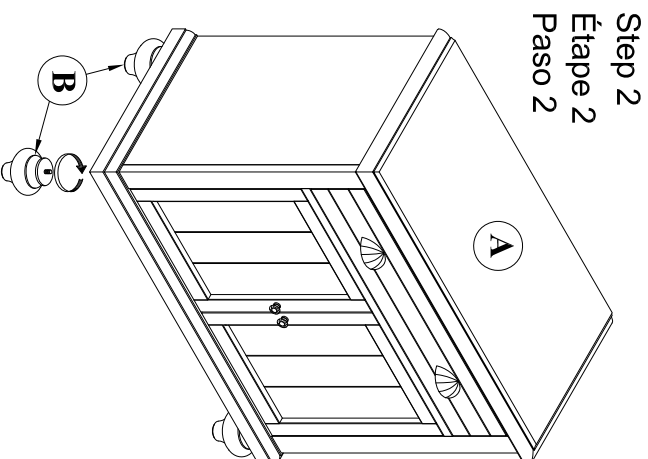
DESCRIPTION / DESCRIPCIÓN : FARMHOUSE HALL CHEST - GREY/COFFRE DE COULOIR GRIS/COFRE DE PASILLO GRIS



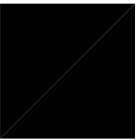
| | |
|------------------|---|
| ⚠ WARNING | |
| | <p>Children have died from furniture tipover. To reduce the risk of furniture tipover:</p> <ul style="list-style-type: none"> • ALWAYS install tipover restraint provided. • NEVER put a TV on this product. • NEVER allow children to stand, climb or hang on drawers, doors, or shelves. • NEVER open more than one drawer at a time. • Place heaviest items in the lowest drawers. <p>This is a permanent label. <i>Do not remove!</i></p> |
| | |



Adjustable leveler (4pcs)
Patin réglable (x 4)
Nivelador ajustable (4 pzas)





* Replaceable Part

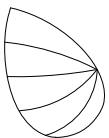
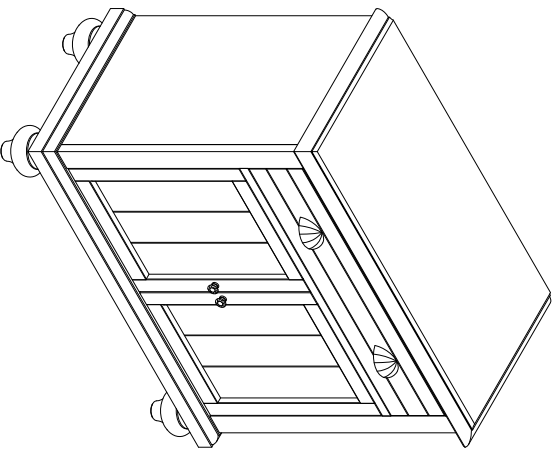


REPLACEABLE PART / PARTIE REMPLACABLE / PARTE REEMPLAZABLE

ITEM NO. / ARTICLE NO. / ARTICULO NO.: DS-2542-850-1

DESCRIPTION / DESCRIPCIÓN: FARMHOUSE HALL CHEST - GREY/COFFRE DE COULOIR GRIS/COFRE DE PASILLO GRIS

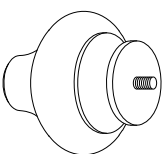
| | |
|---|--|
| ⚠ WARNING | |
| Children have died from furniture tipover. To reduce the risk of furniture tipover: | |
|  | <ul style="list-style-type: none">• ALWAYS install tipover restraint provided.• NEVER put a TV on this product.• NEVER allow children to stand, climb or hang on drawers, doors, or shelves.• NEVER open more than one drawer at a time.• Place heaviest items in the lowest drawers. <p>This is a permanent label. <i>Do not remove!</i></p> |
|  | |



x2 RDS-2542-850-1 Pull with Screw *



x2 RDS-2542-850-1 Knob with Screw *



x4 RDS-2542-850-1 Bunfoot *

* Replaceable Part