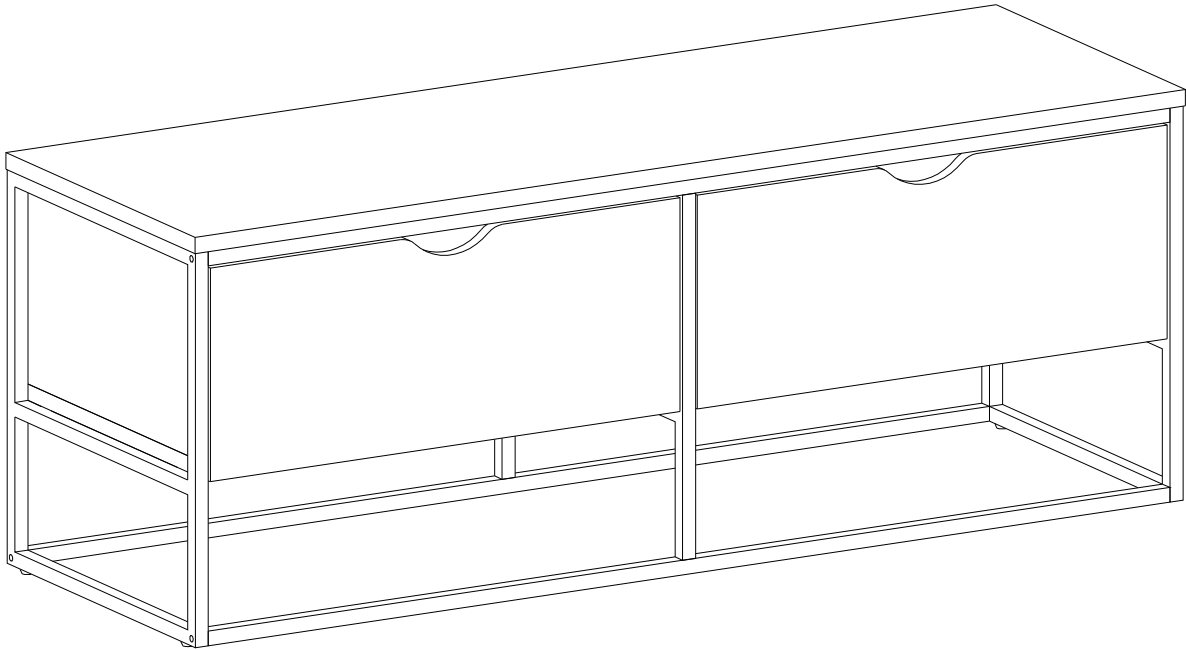


Item # : B48ARB2DR Assembly Instructions



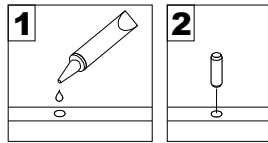
Walker Edison®

Please visit our website for the most current instructions, assembly tips, report damage, or request parts. www.walkeredison.com

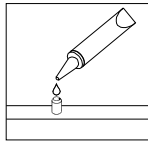
Revised 09/06/2020 (1)

General Assembly Guidelines

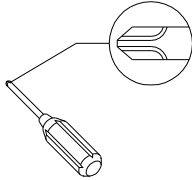
- I. Ensure that all parts and hardware are available before beginning assembly.
- II. Follow each step carefully to ensure the proper assembly of this product.
- III. Two people are recommended for ease in the assembly of this product.
- IV. The three main types of hardware used to assemble this product are : wood dowels , screws and bolts.
- V. The provided glue is to secure wood dowels in place . When first inserting dowels , locate the appropriate hole for the dowel , place a small amount of glue in the hole and insert the dowel . Wipe away excess glue immediately.



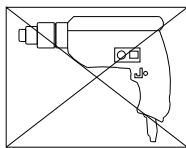
In future assembly steps when dowels are necessary to attach assembly parts together , place a small amount of glue on the end of the dowel before attaching parts together . Wipe away excess glue immediately.



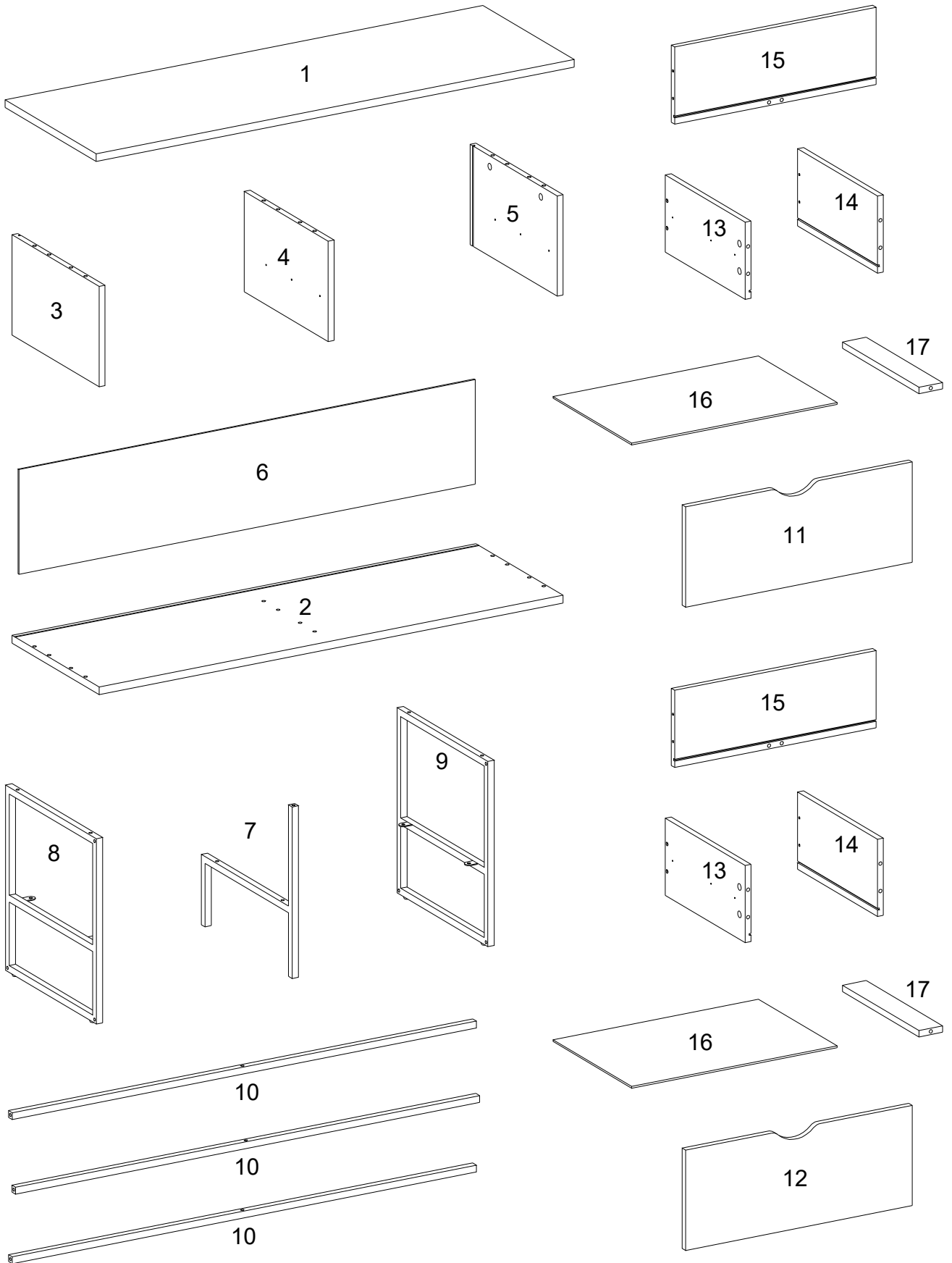
- VI. A Phillips head screwdriver is required for the assembly of this product .







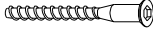
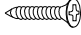




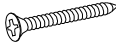
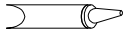
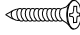
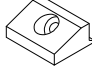
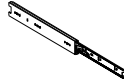
- VII. Power tools should not be used to assemble this product .



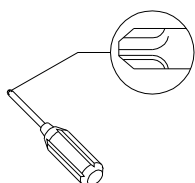
Parts List



Hardware List

A		Ø8x30mm	Wooden dowel	12	pcs
B		Ø6x35mm	Cam bolt	16	pcs
C		Ø15x11mm	Cam lock	16	pcs
D		Ø30mm	Sticker	16	pcs
E		Ø6x38mm	Screw	6	pcs
F		Ø3x12mm	Screw	24	pcs
G		M4	Hex key	1	pc
H		Ø1/4"x12mm	Bolt	4	pcs
J		Ø1/4"x25mm	Bolt	8	pcs
K		Ø1/4"x25mm	Bolt	7	pcs
L		Ø4x32mm	Screw	12	pcs
M			Glue tube	1	pc
N		Ø3x17mm	Screw	6	pcs
P			Plastic wedge	6	pcs
Q			Drawer slider	2	sets

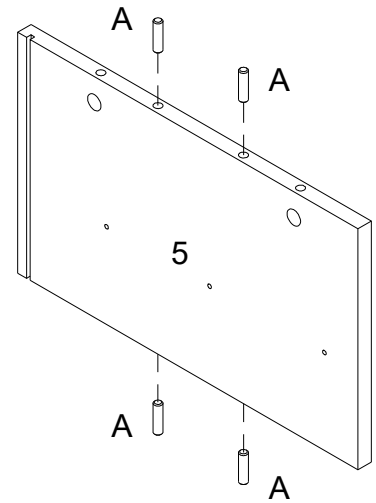
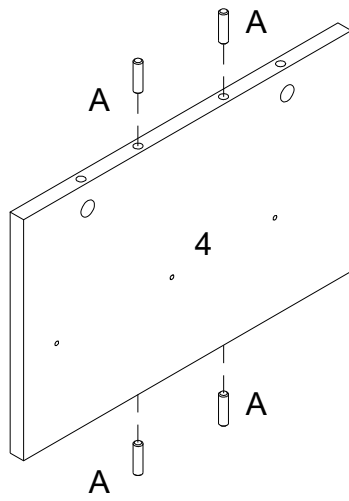
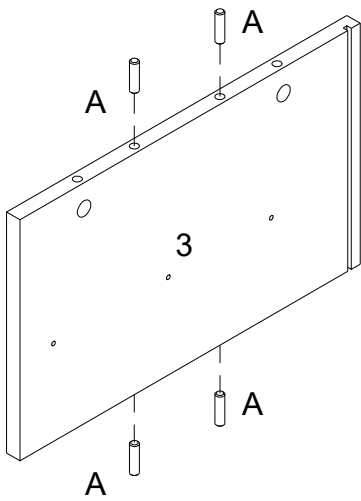
* Note: This piece comes preassembled for shipping purposes and must be disassembled to complete the desk assembly.



Philips head screwdriver required for assembly
(not included)

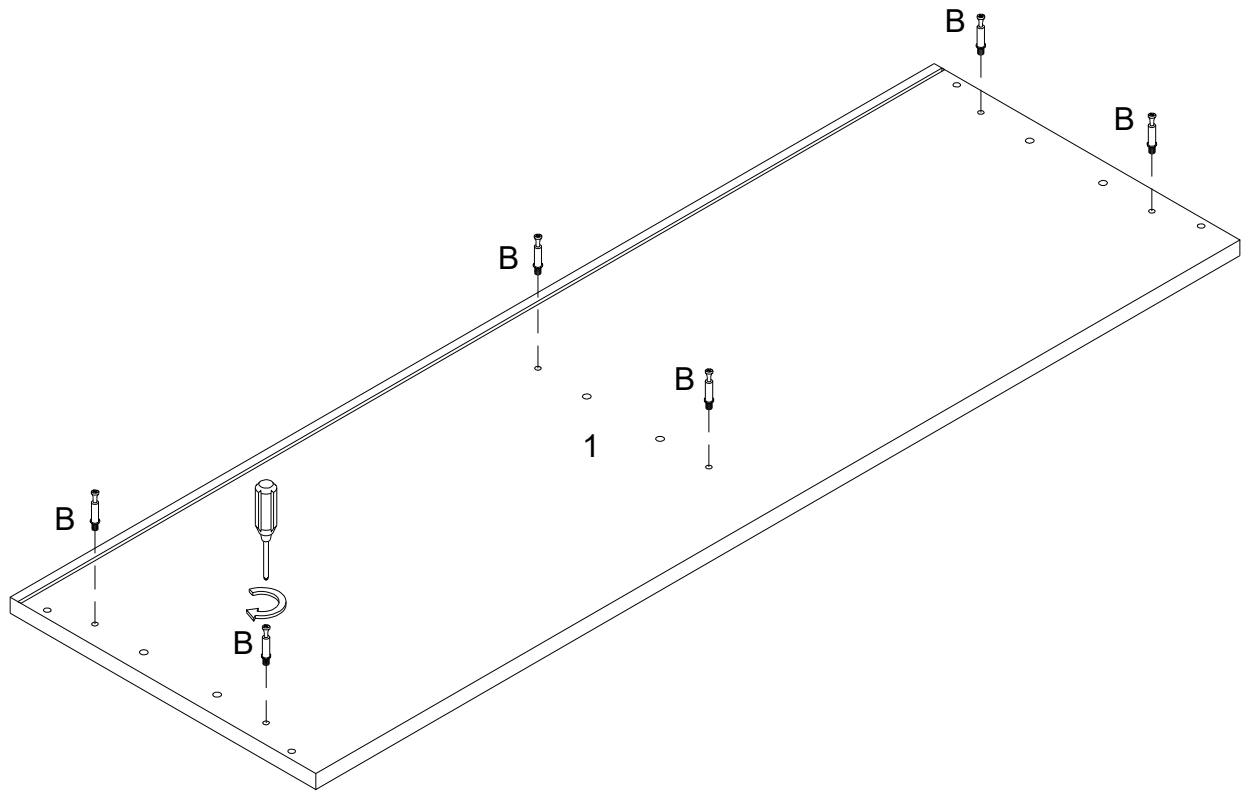
*The hardware quantities listed above are required for proper assembly.
Some extra hardware may also have been included.*

Step 1



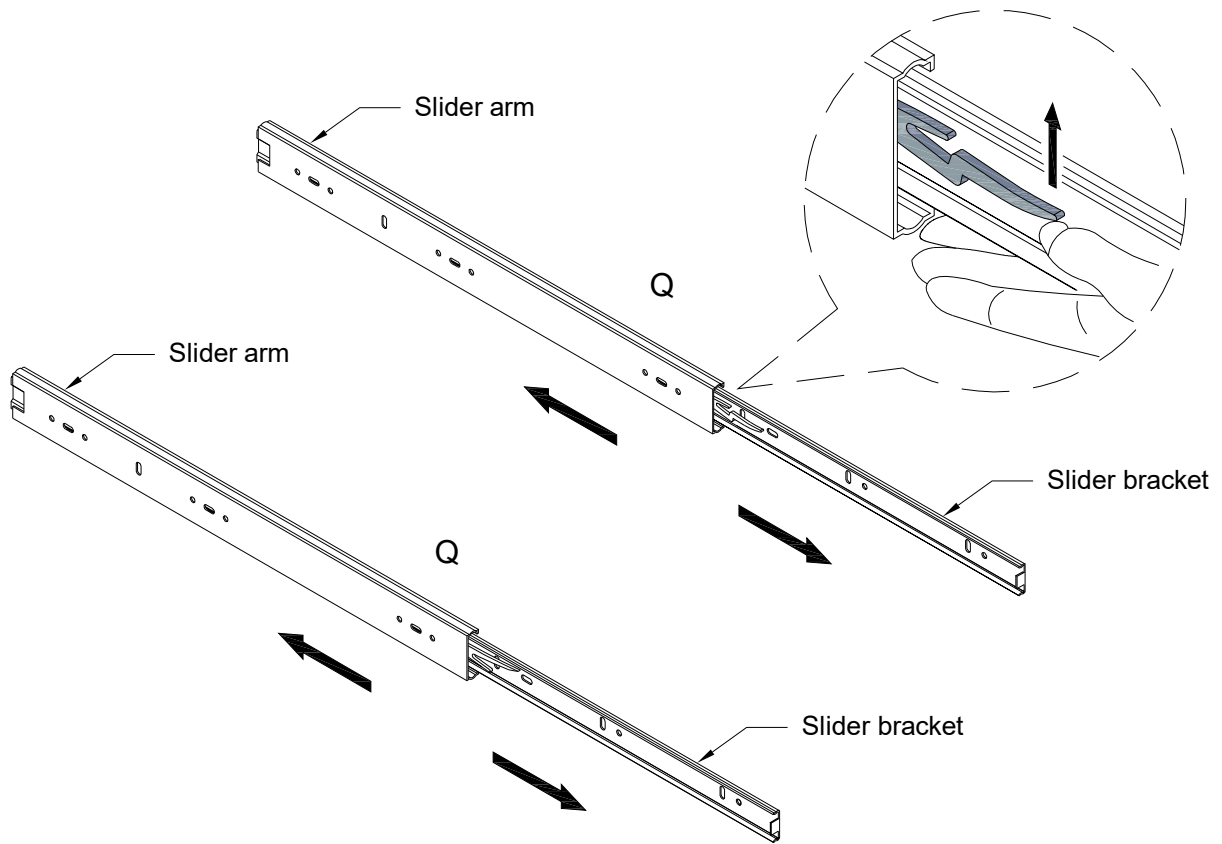
Insert wooden dowel (A) into parts (3,4,5) as per diagram.

Step 2



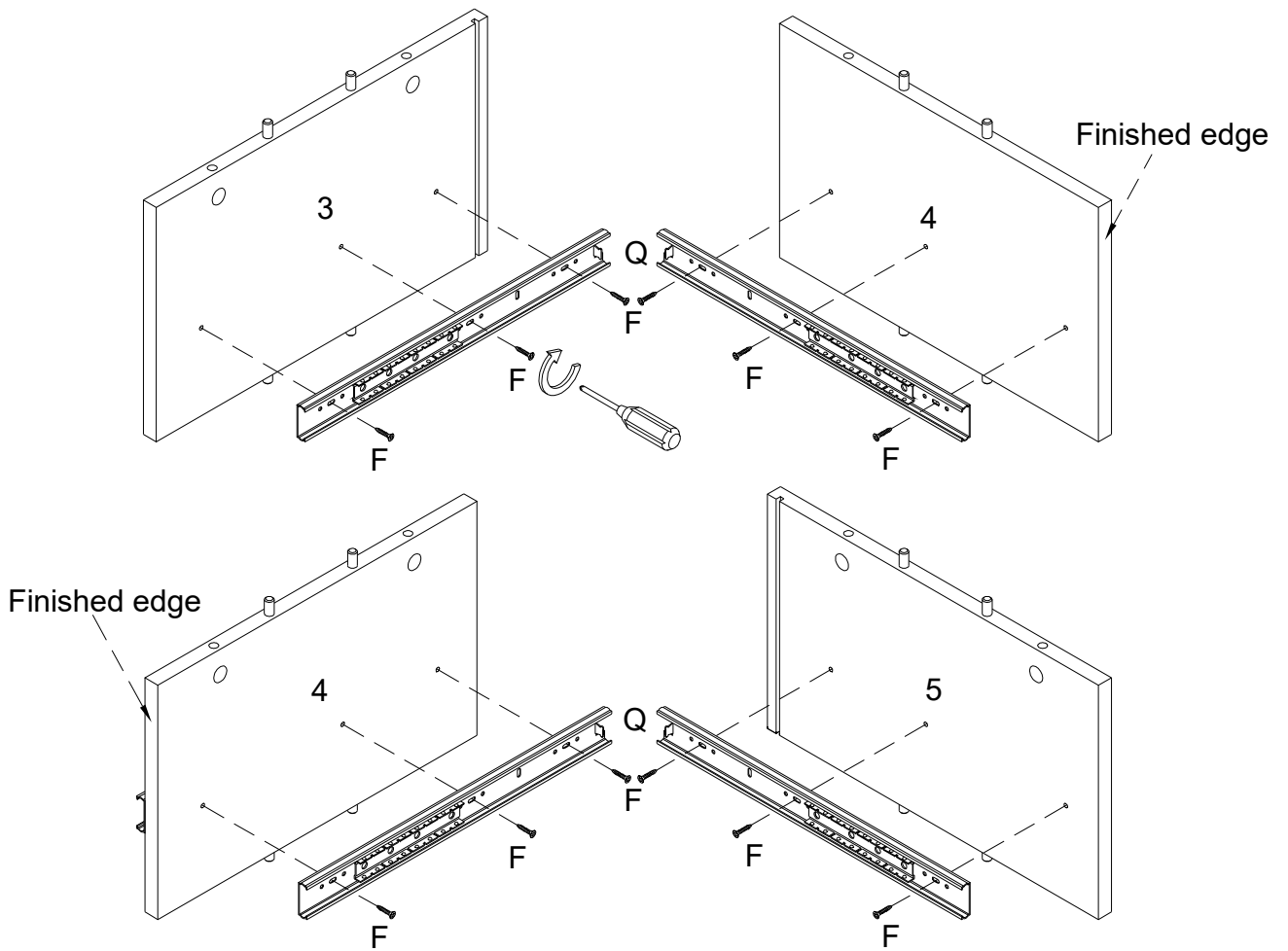
Secure cam bolt (B) into part (1) with Philips head screwdriver as per diagram.

Step 3



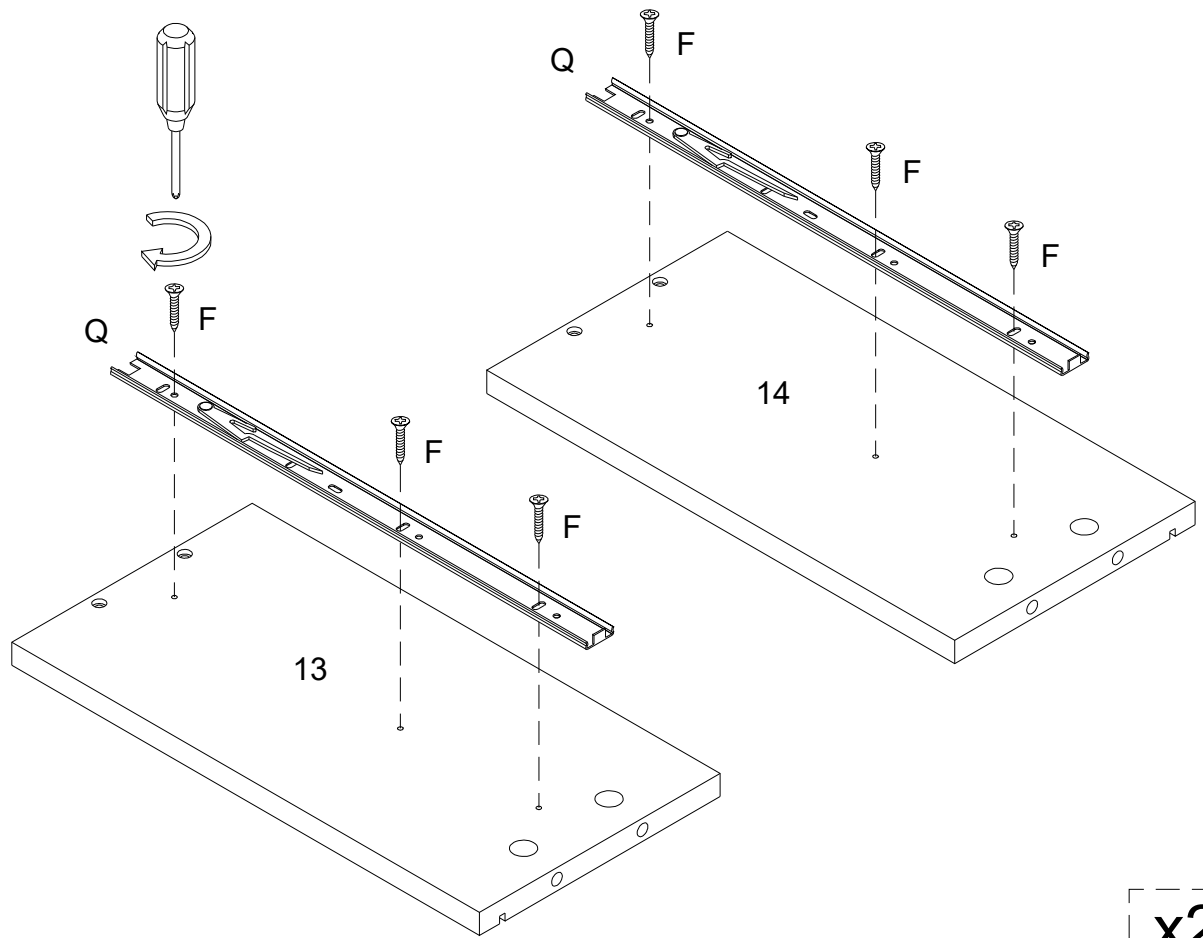
Pick up the slider arm (Q) and separate the slide Runner for the following Steps. Extend the Slide .Runner all the way forward,press the plastic release lever of the alider arm up and pull the Slide Runner Complete out .

Step 4



Using Screw (F) attach part (Q) to parts (3,4,5) with Philips head screwdriver as per diagram.

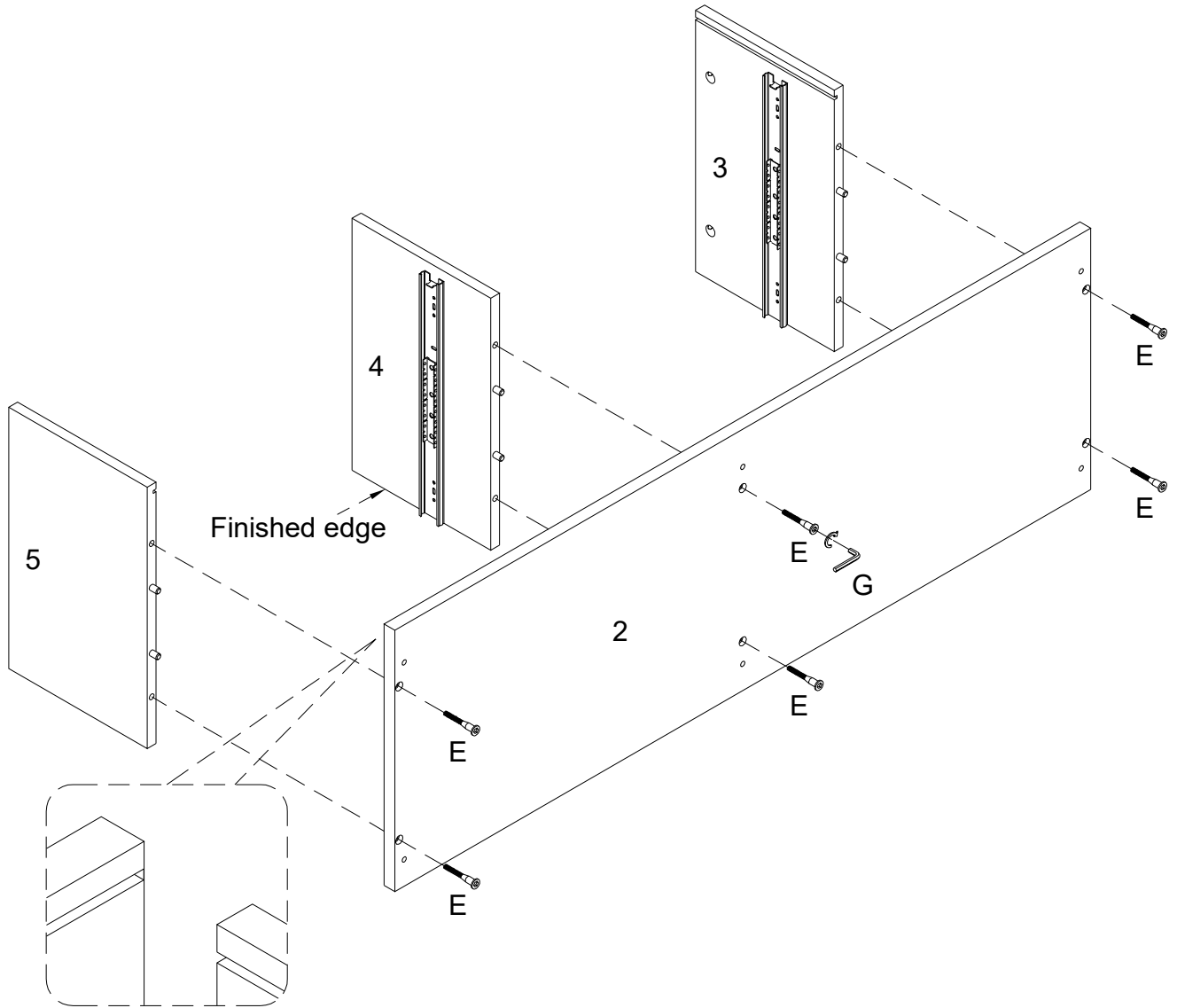
Step 5



x2

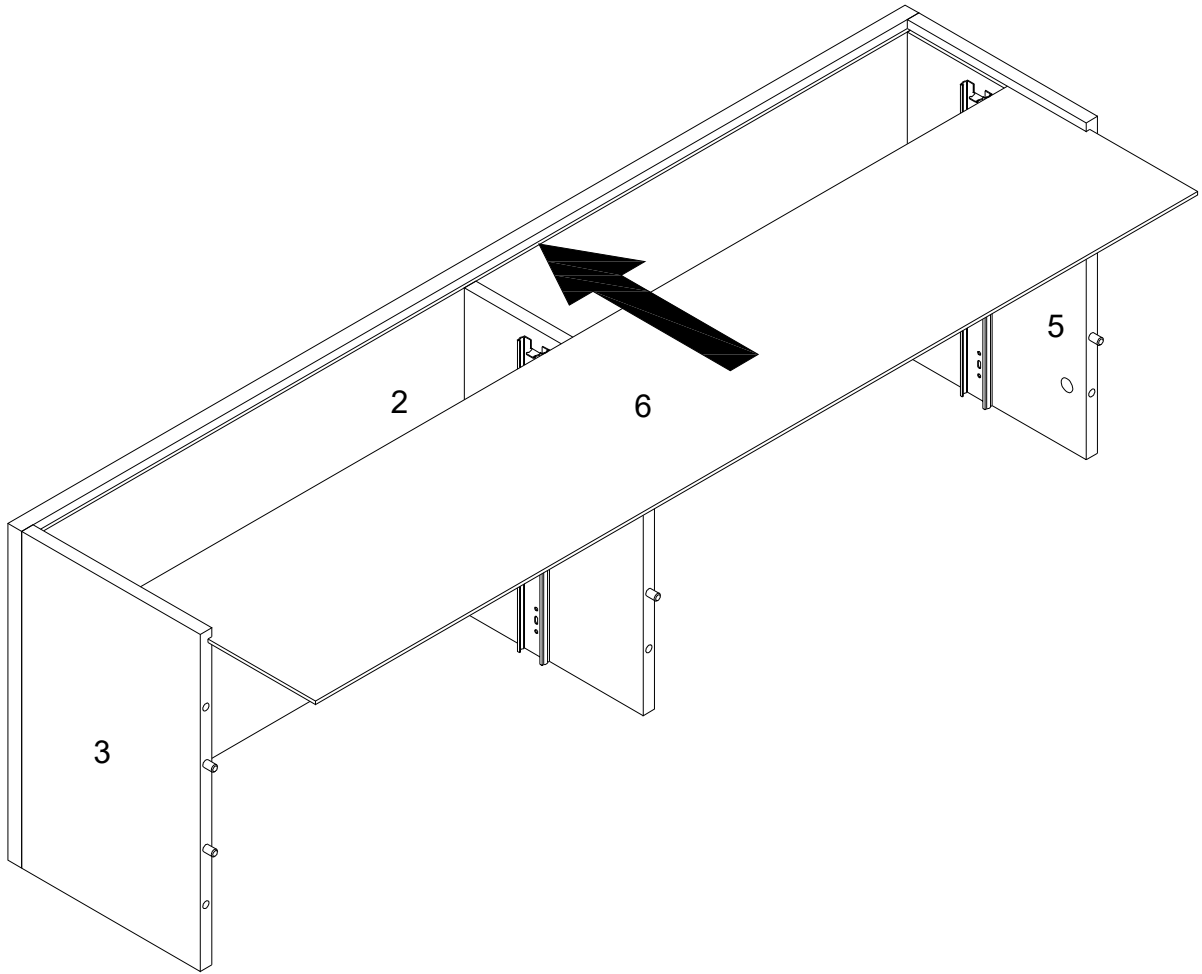
Using Screw (F) attach part (Q) to parts (13,14) with Philips head screwdriver as per diagram.

Step 6



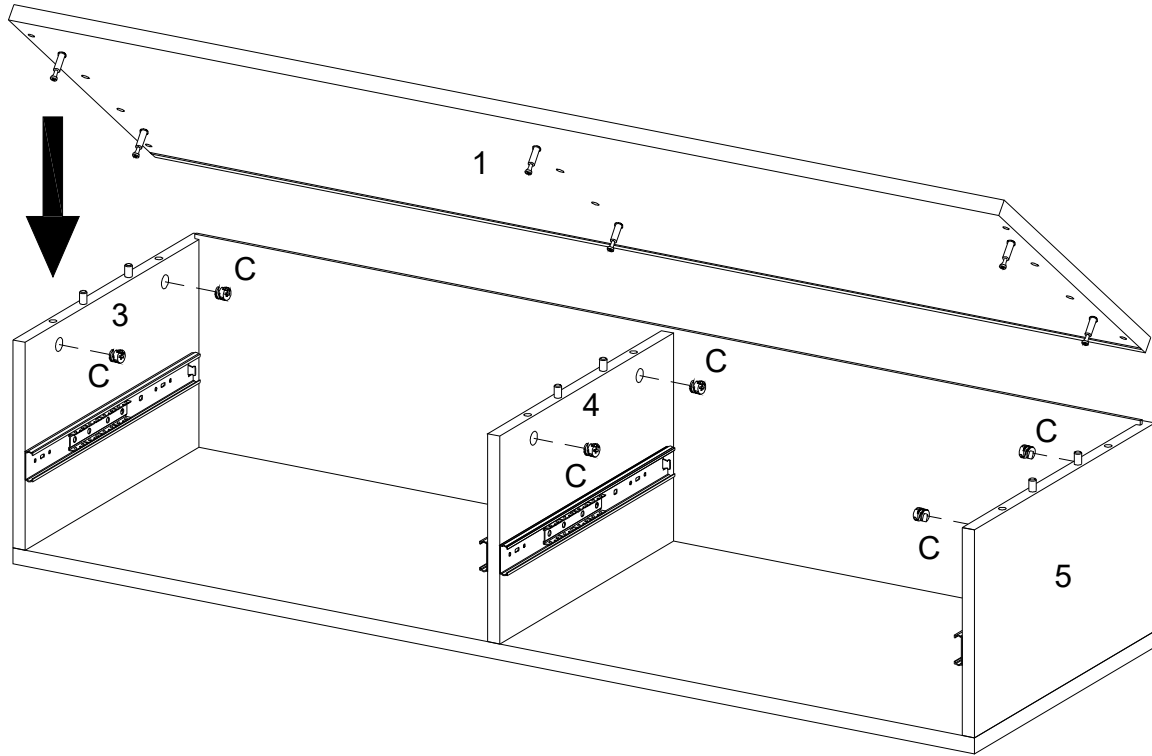
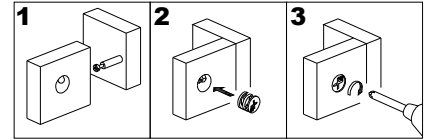
Using Screw (E) attach part (2) to parts (3,4,5) with Hex key (G) as per diagram.

Step 7



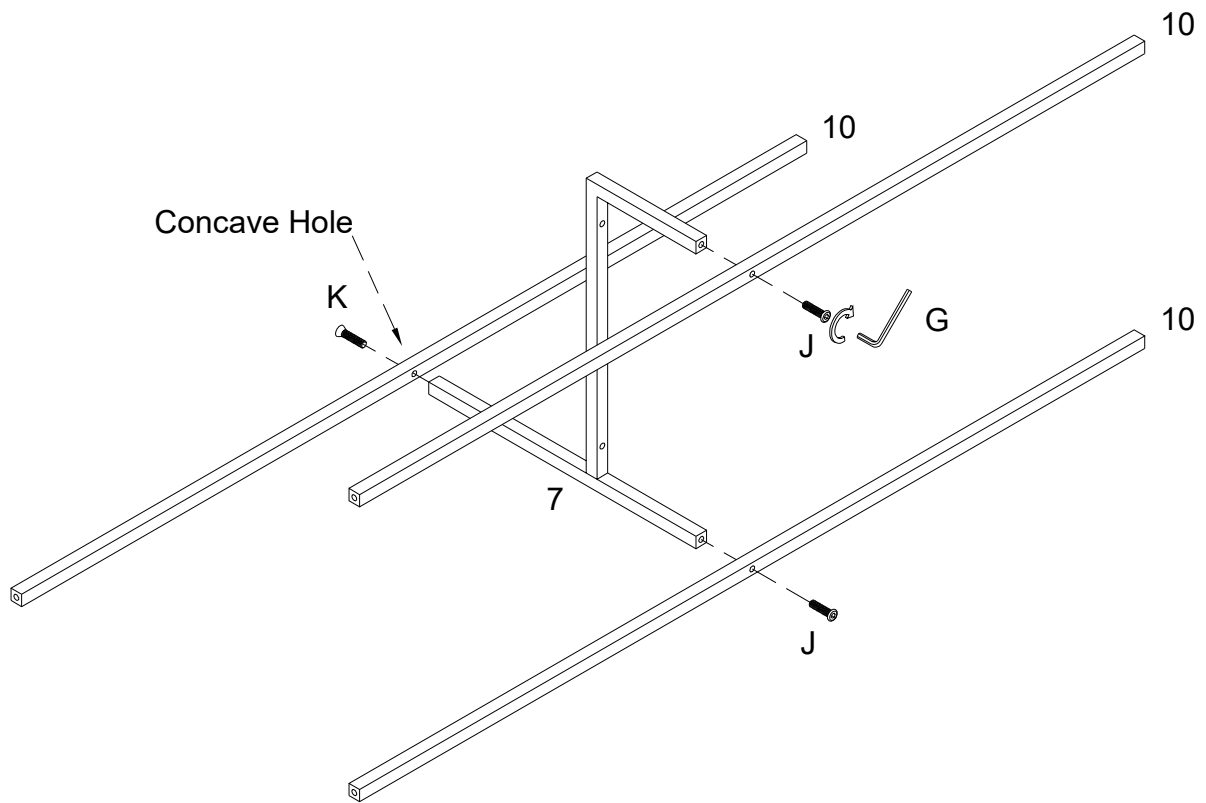
Put part (6) as per diagram.

Step 8



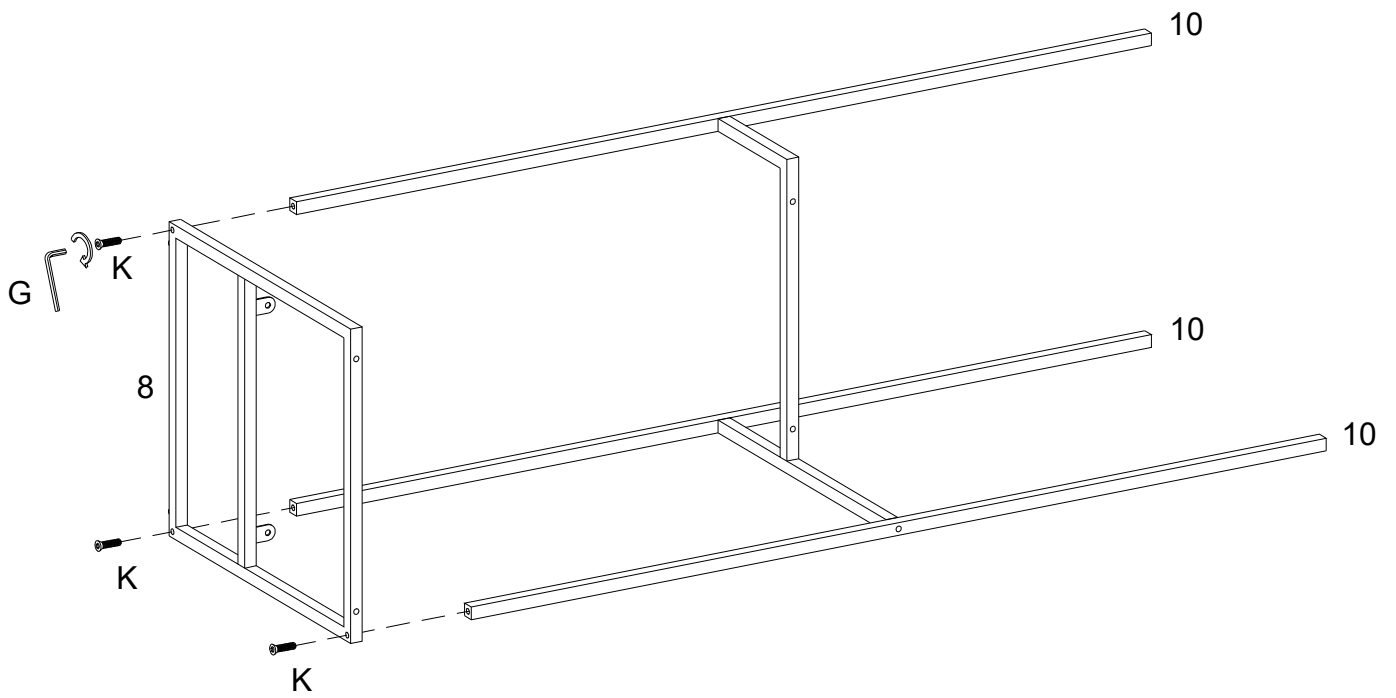
Using Cam lock (C) secure part (1) into parts (3,4,5) with Philips head screwdriver as per diagram.

Step 9



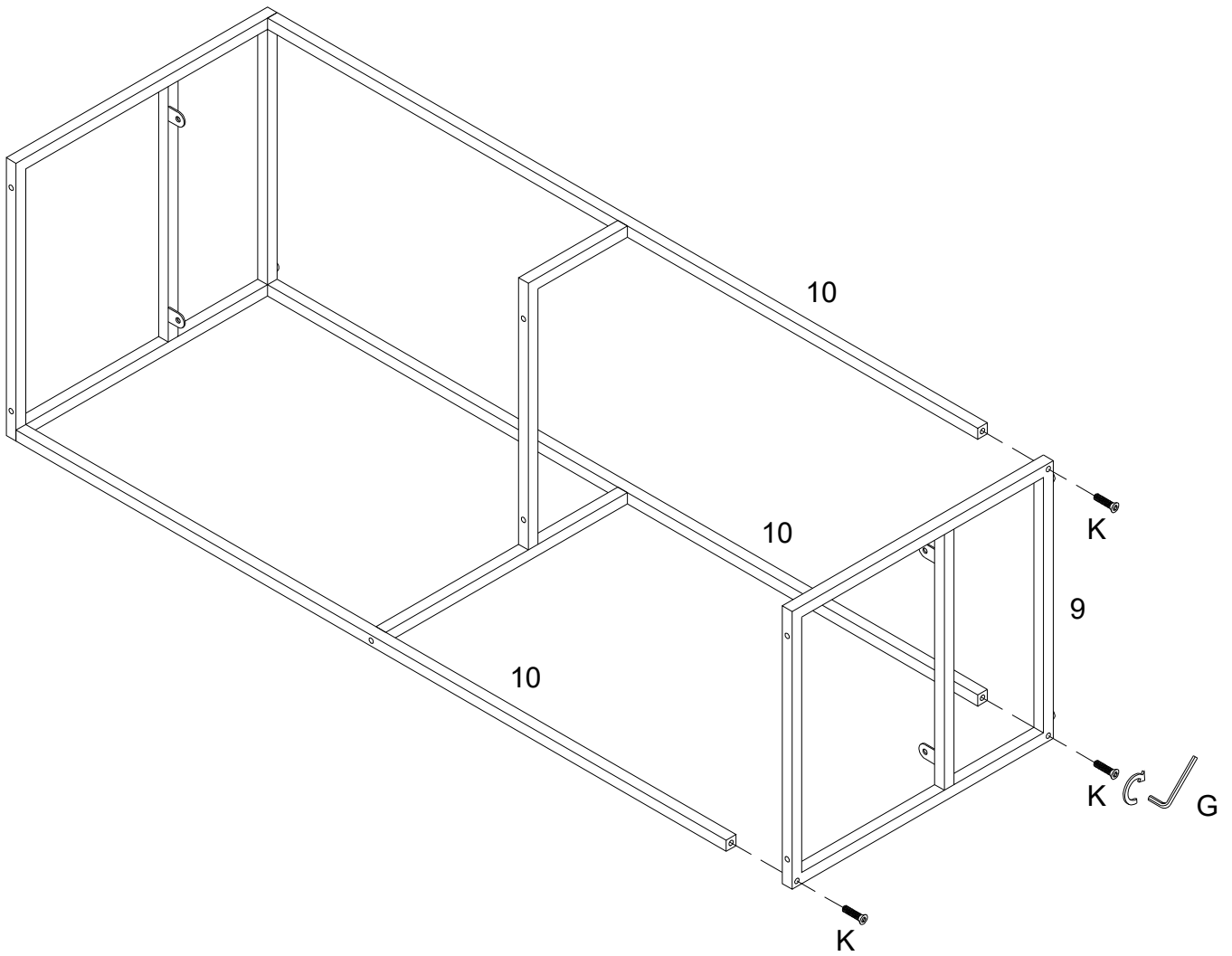
Using Bolts (J,K) attach part (10) to part (7) With Hex key (G) as per diagram.
Note :Do not fully tighten all bolts .

Step 10



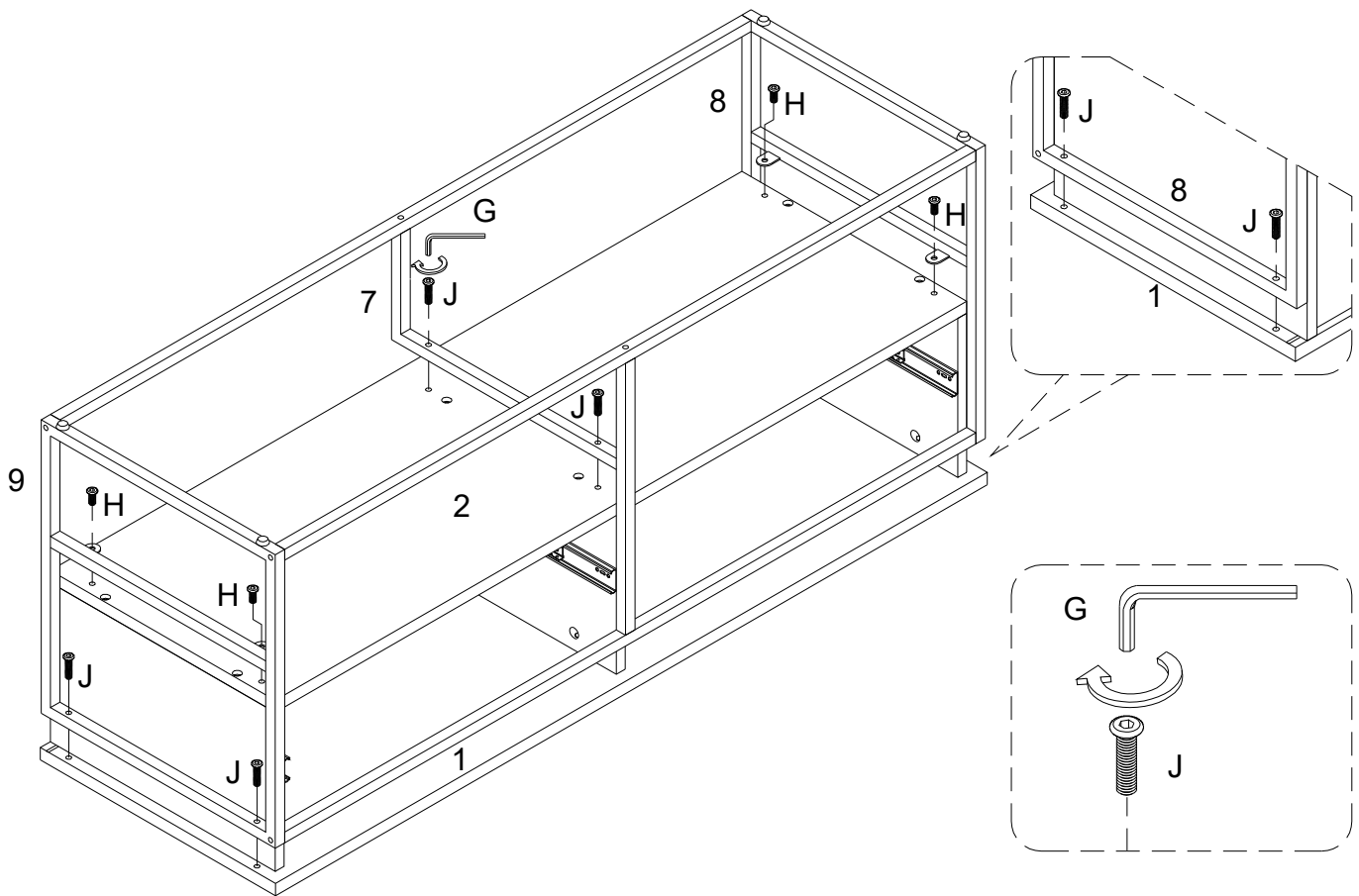
Using Bolt (K) attach part (8) to part (10) With Hex key (G) as per diagram.

Step 11



Repeat the last step as per diagram.

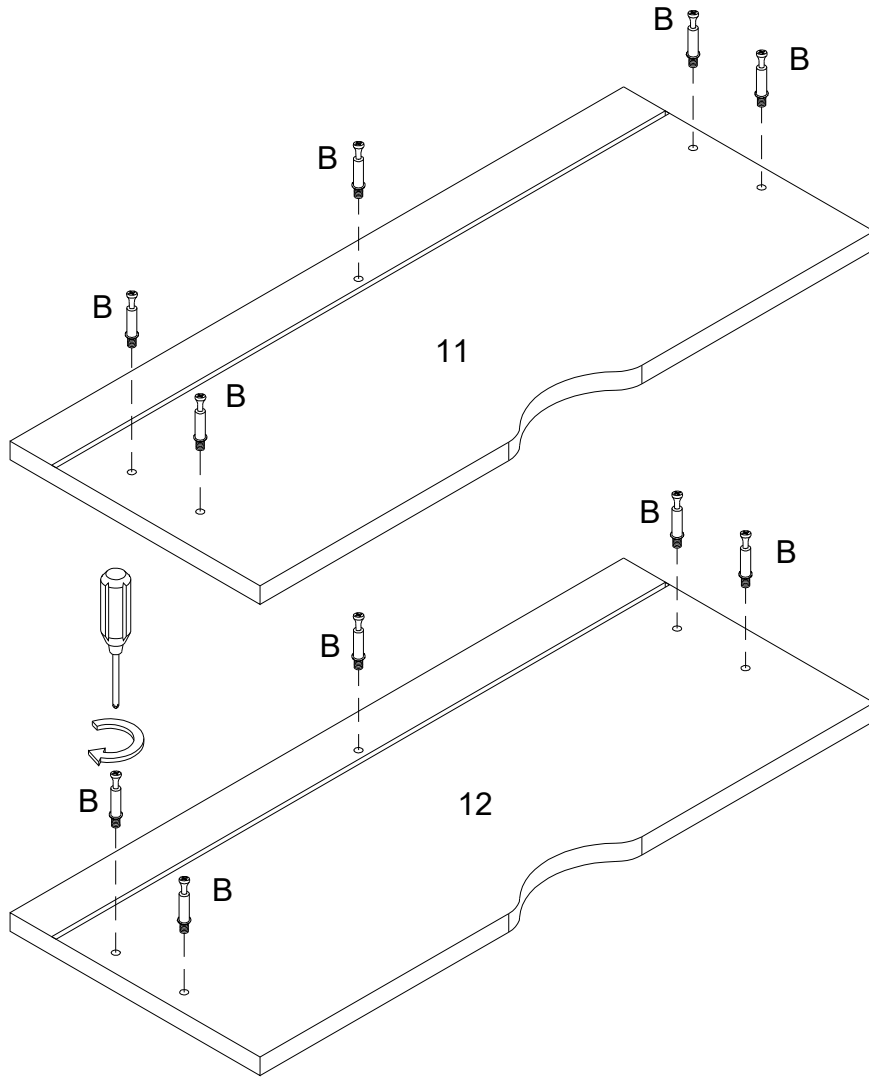
Step 12



Using Bolt (H) attach parts (8,9) to part (2) , and using Bolt (J) attach part (7) to part (2) and parts (8,9) to part (1) With Hex key (G) as per diagram.

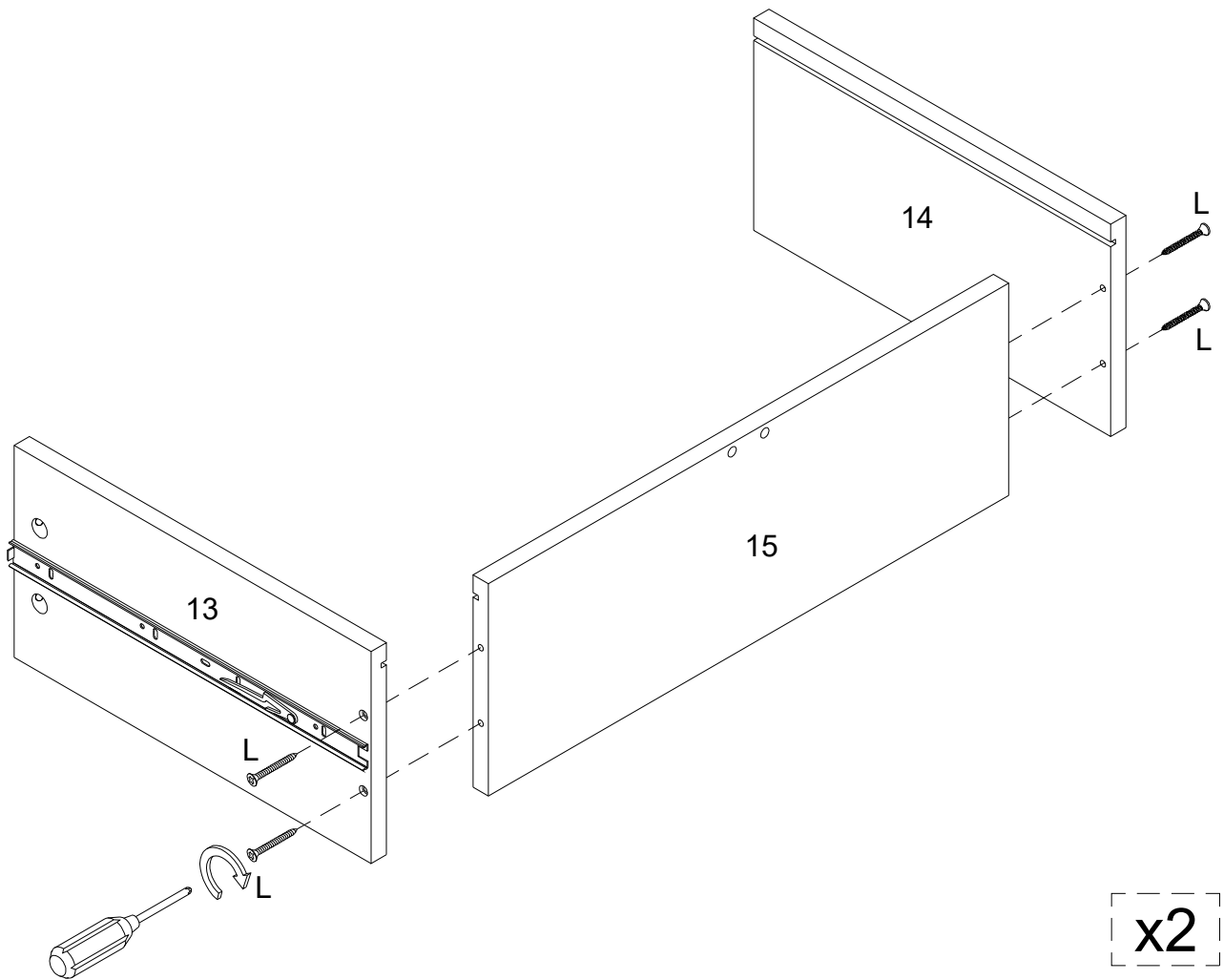
Note:Fully tighten all bolts .

Step 13



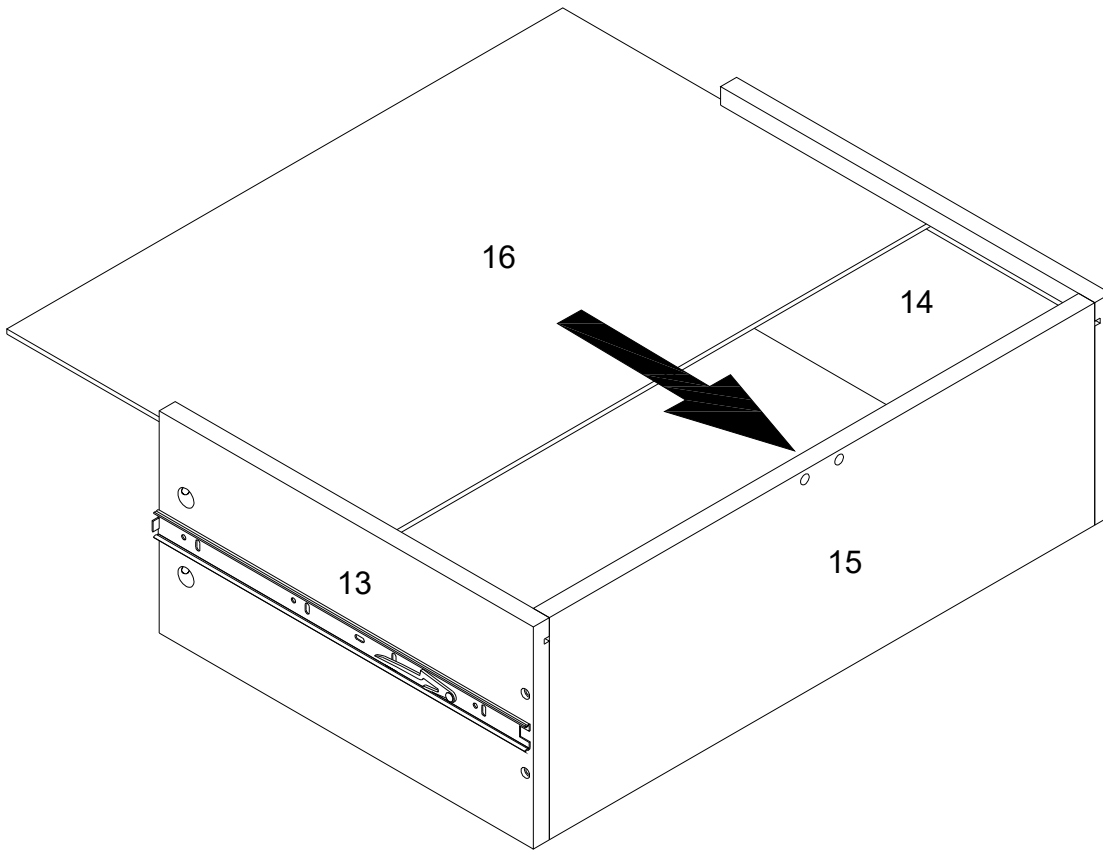
Secure Cam bolt (B) into parts (11,12) with Philips head screwdriver as per diagram.

Step 14



Secure Screw (L) attach parts (13,14) to parts (15) with Philips head screwdriver as per diagram.

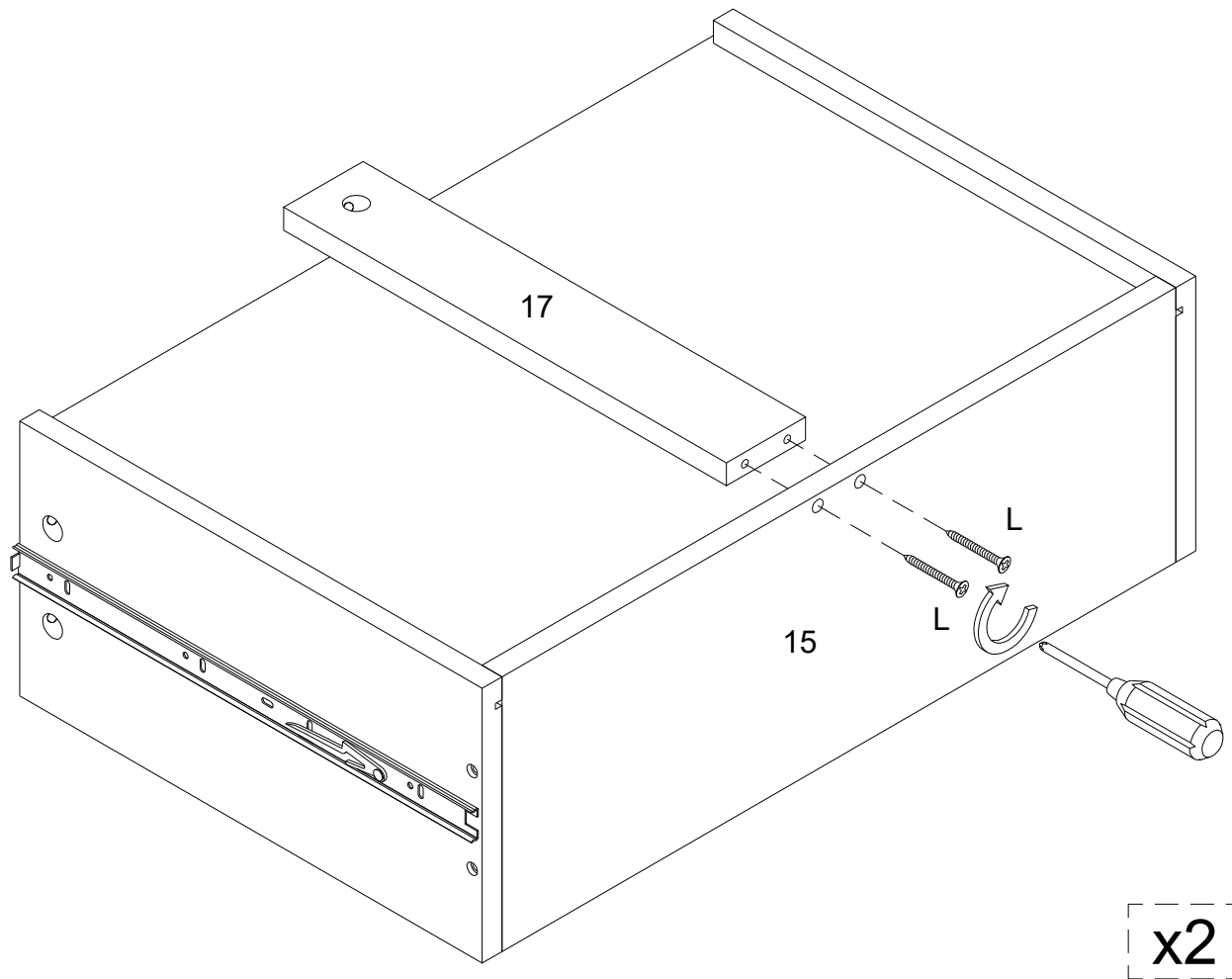
Step 15



x2

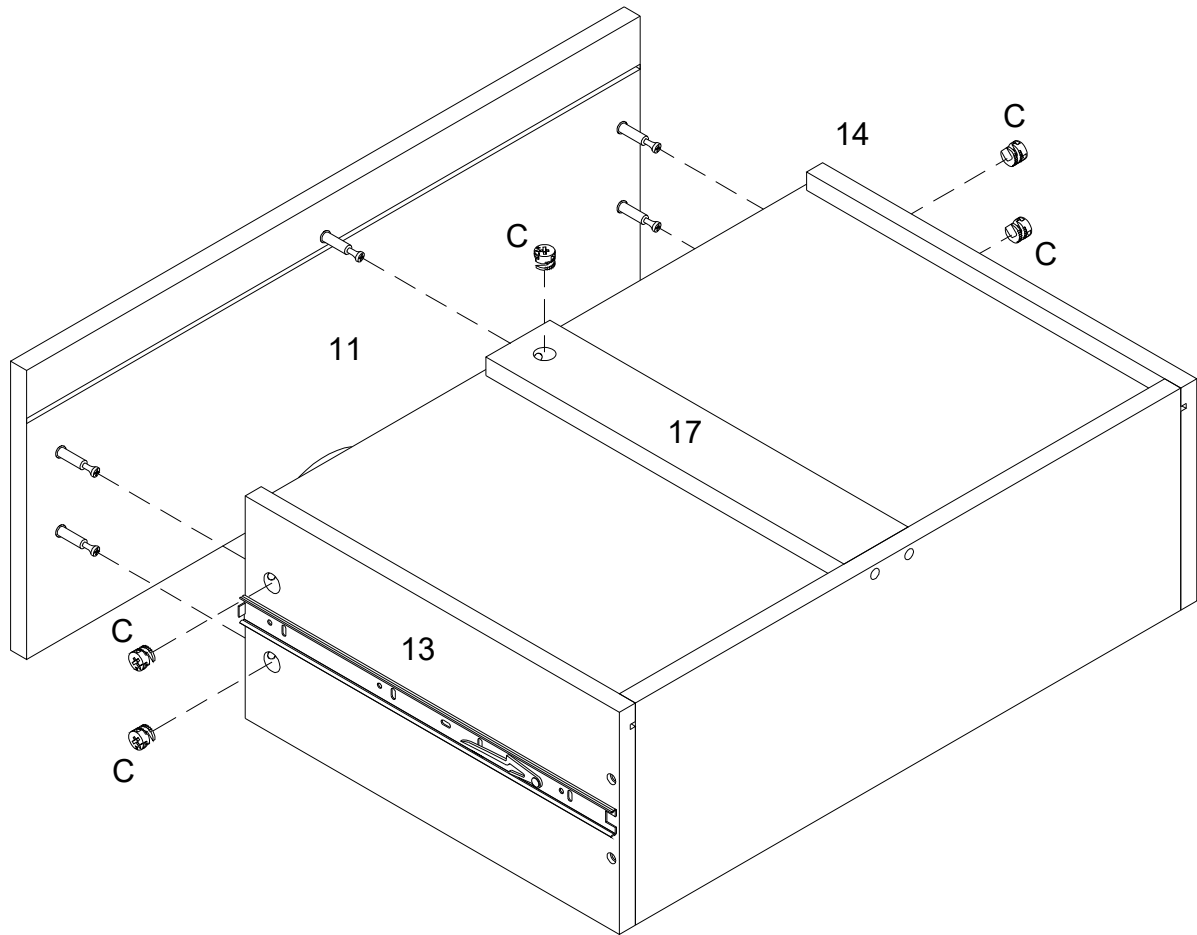
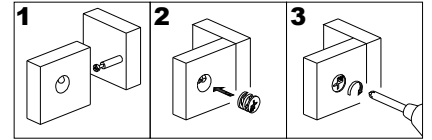
Put part (16) as per diagram.

Step 16



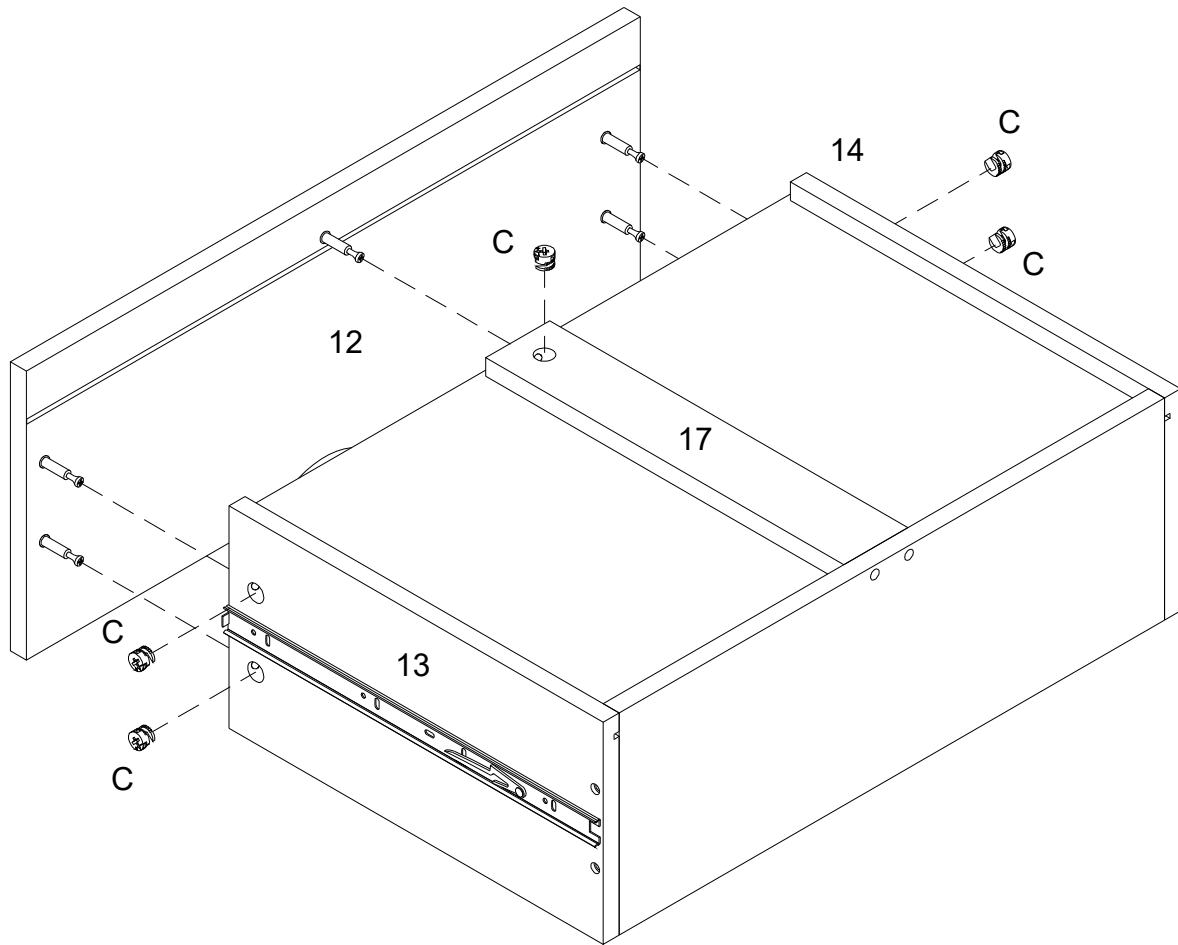
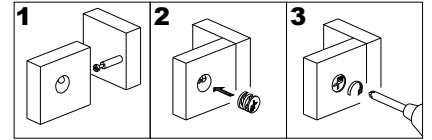
Secure Screw (L) attach part (15) to parts (17) with Philips head screwdriver as per diagram.

Step 17



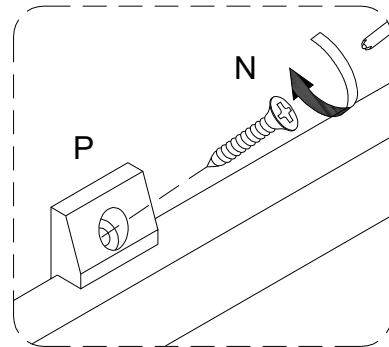
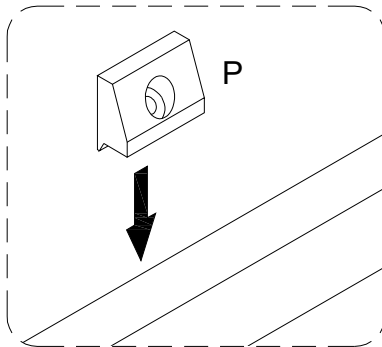
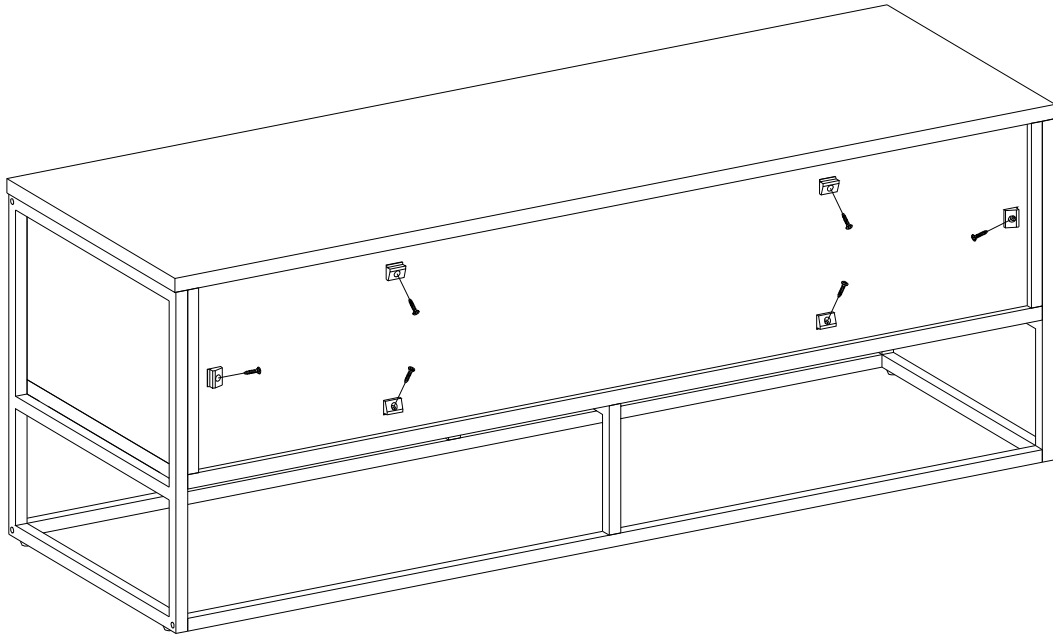
Using Cam lock(C) secure part (11) to parts (13,14,17) with Philips head screwdriver as per diagram.

Step 18



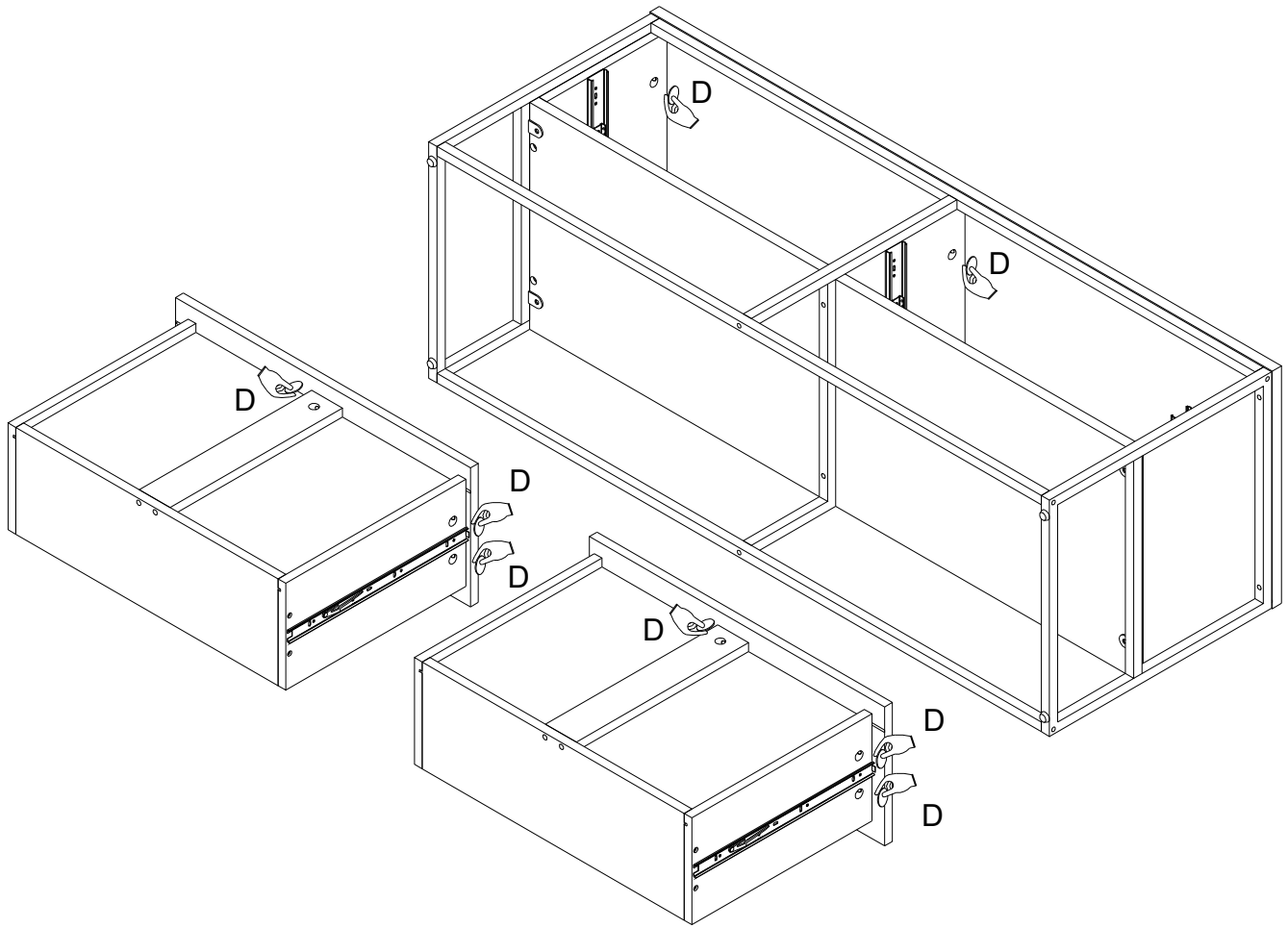
Using Cam lock(C) secure part (12) to parts (13,14,17) with Philips head screwdriver as per diagram.

Step 19



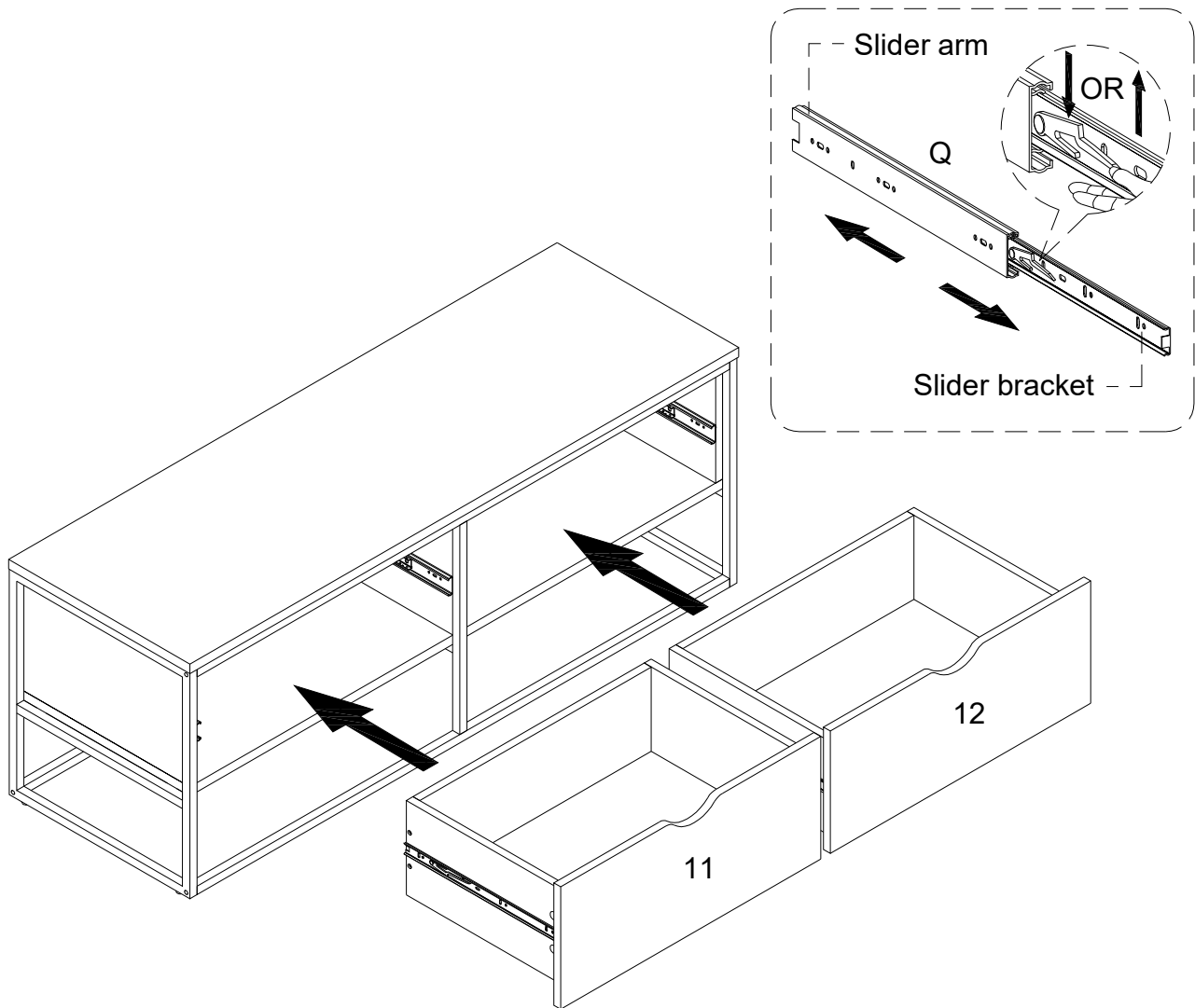
Using screw (N) secure plastic wedge (P) with Philips head screwdriver as per diagram.

Step 20



Place sticker (D) cover the holes as per diagram .

Step 21

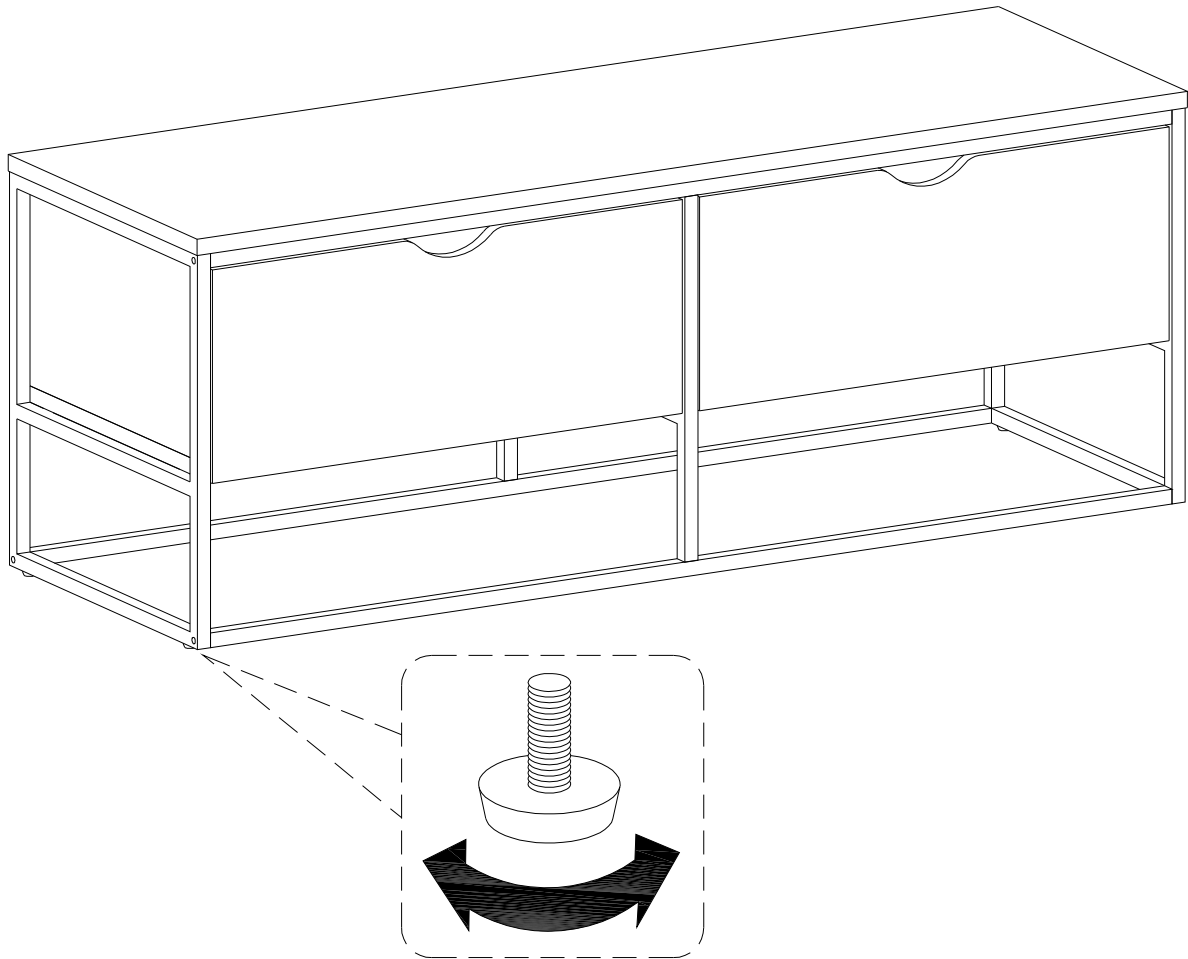


Assembled the drawers as per diagram

Note :If the drawer does not go in smoothly .Press or lift the plastic release lever .

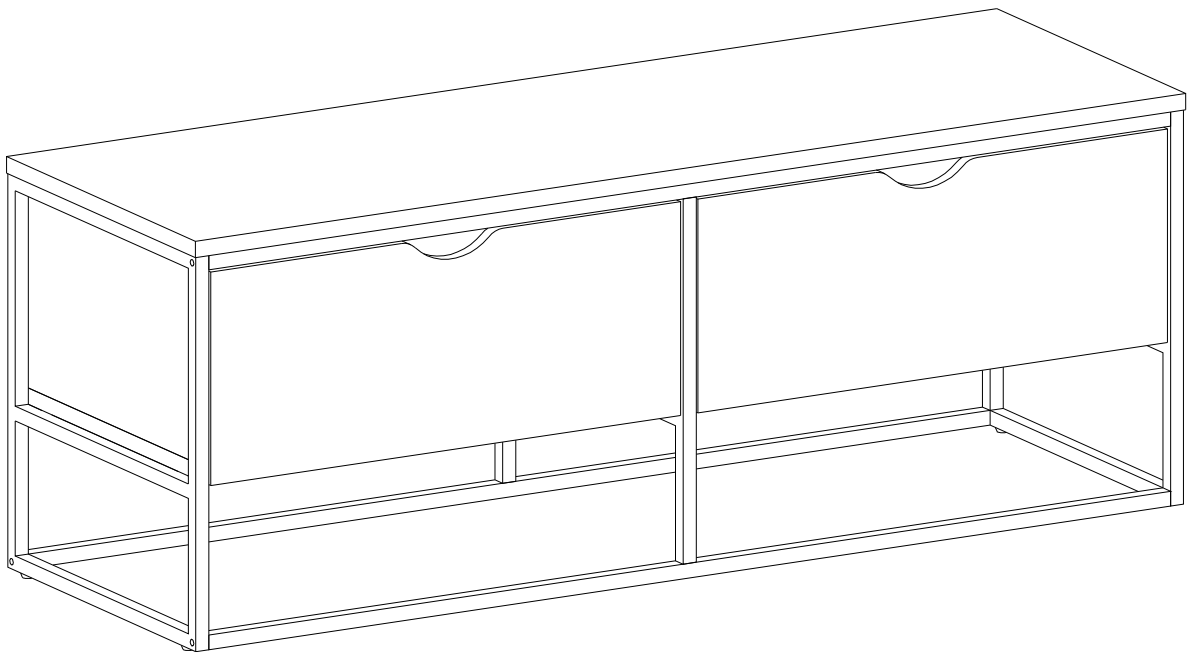
Pull out the slider bracket from the slider arm then re-assembled the drawer until they were going in smoothly well .

Step 22



Position the assembled unit at the desired location ,if necessary adjust the floor leveler at the bottom of the legs to level the unit .

Step 23



Final Assembly