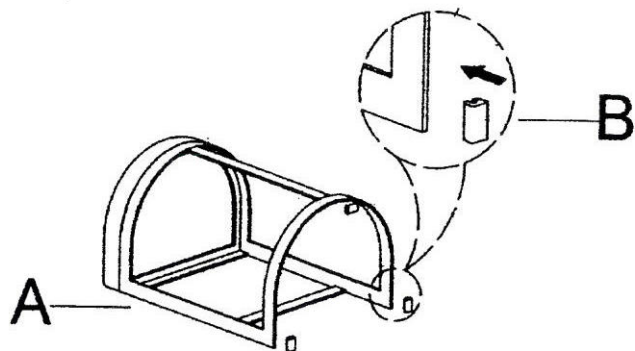


Assembly Instruction

STYLE:23523

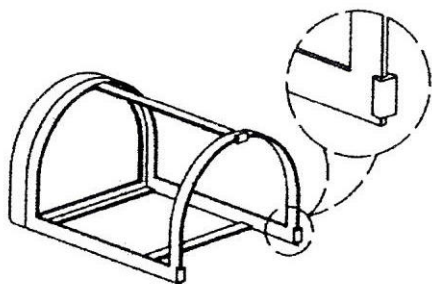
Part.1



Parts list

A	Counter Stool	1 PC
B	Foot Protector	3 PCS

Part.2



Take the Counter Stool(A) carefully out of the carton and then lay the stool flat on a soft surface make sure the stool will not be scratched.

Install the Foot Protector(3xB) under the stool base frame as as figure 1&2.

Please do not repeatedly remove and install the Foot Protector(B),It is easy to scratch the finish of base. Assembly is complete.

To Clean,wipe with soft dry cloth.

Part.3

