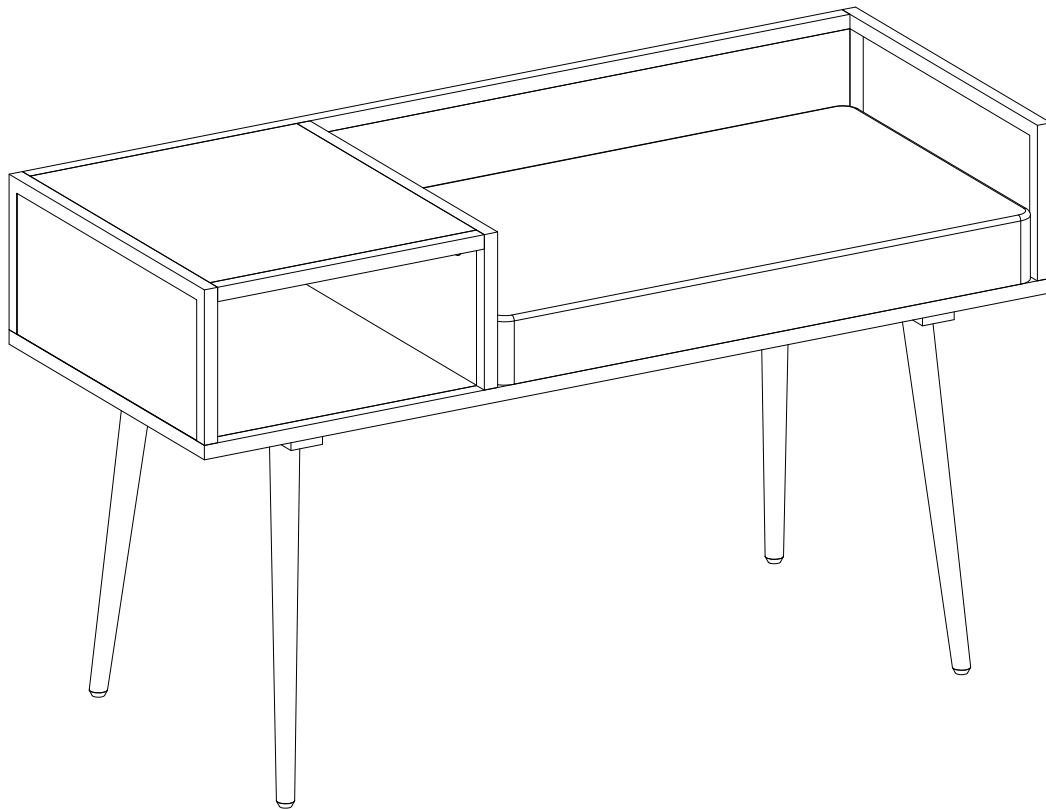


Item # : B40JADMW

Assembly Instructions



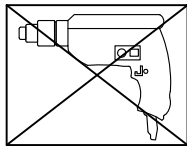
Walker Edison®

Please visit our website for the most current instructions, assembly tips, report damage, or request parts. www.walkeredison.com

Revised 12/08/2019(C)

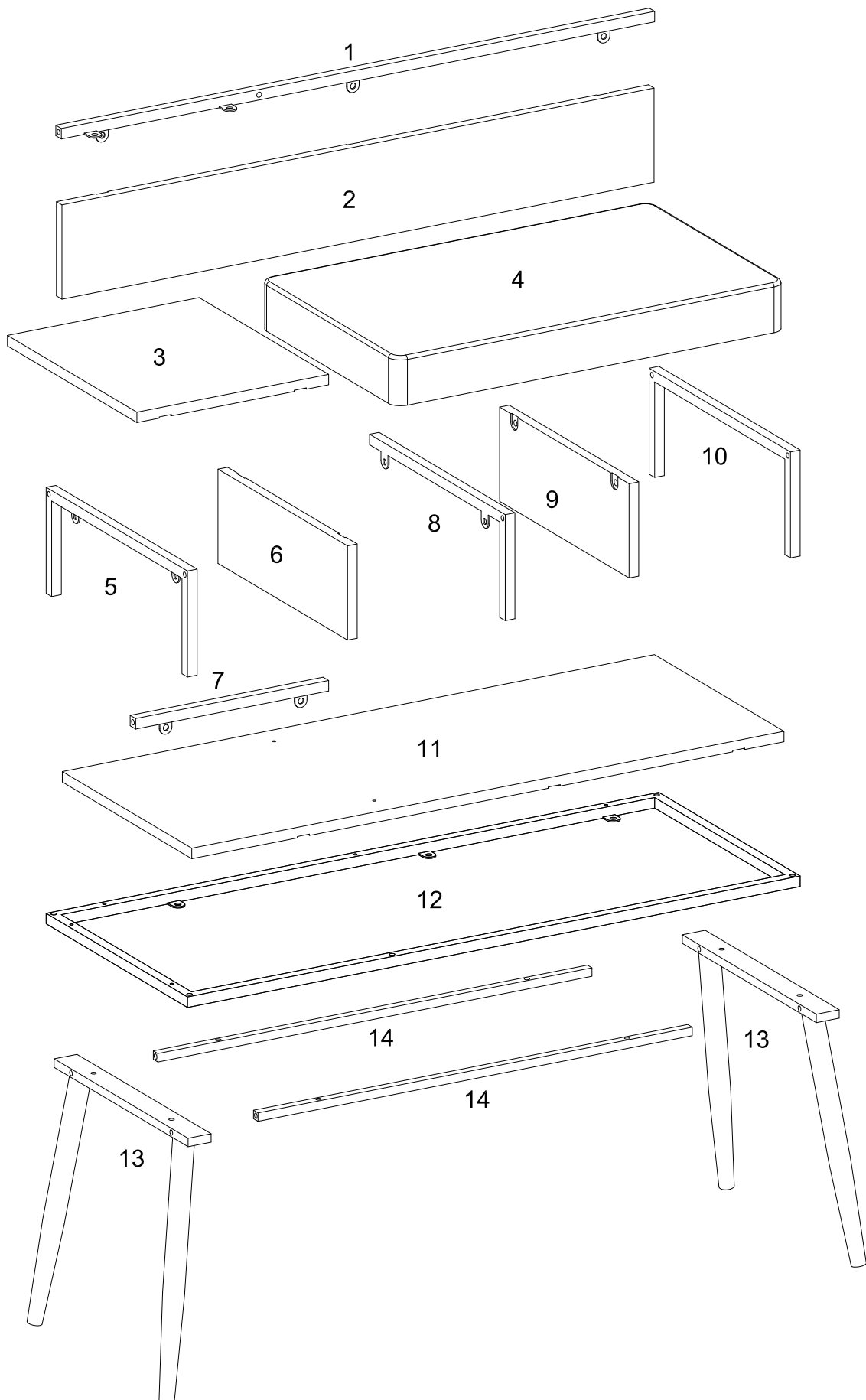
General Assembly Guidelines

- I. Ensure that all parts and hardware are available before beginning assembly.
- II. Follow each step carefully to ensure the proper assembly of this product.
- III. Two people are recommended for ease in the assembly of this product.
- IV. The main type of hardware used to assemble this product are: bolts and screws.
- V. Power tools should not be used to assemble this product.





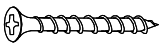





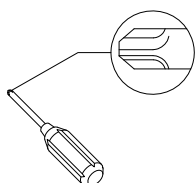
- VI. Drill may be needed for securing product to wall.

Parts List



Hardware List

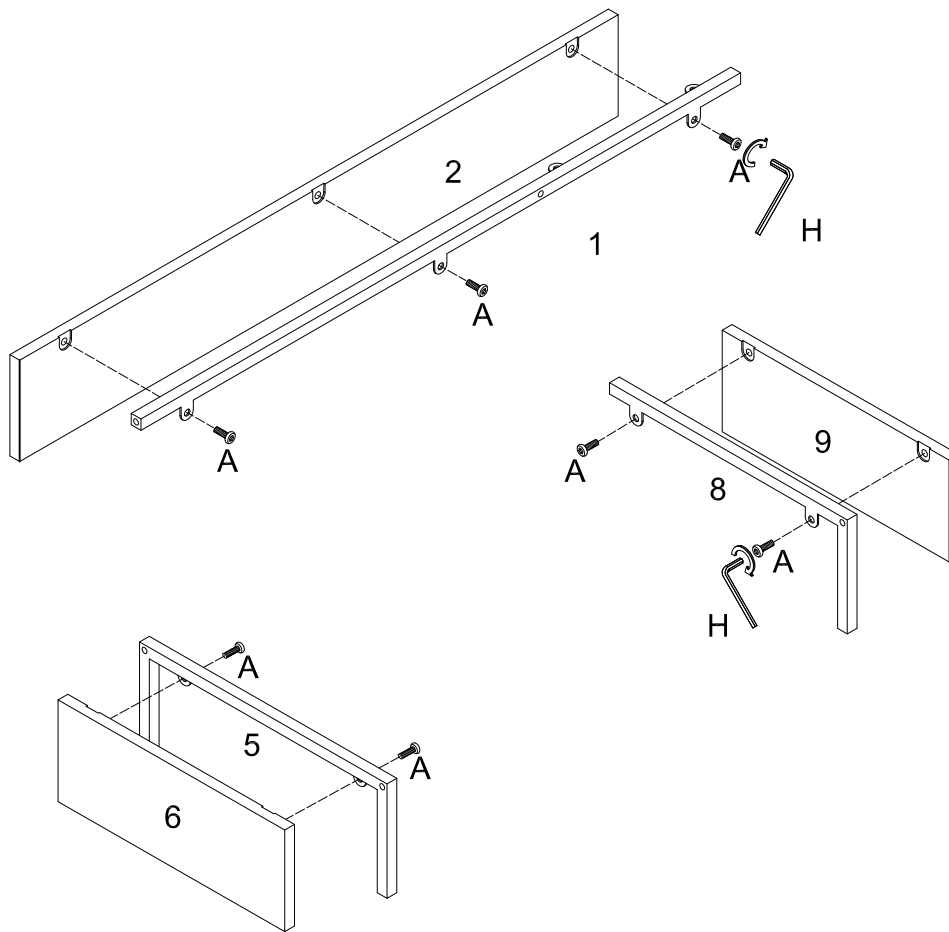
A		Ø1/4"x12mm	Bolt	17 pcs
B		Ø1/4"x25mm	Bolt	14 pcs
C		Ø1/4"x50mm	Bolt	4 pcs
D		Ø1/4"x22mm	Bolt	4 pcs
E		Ø4x35mm	Screw	7 pcs
F			Spring washer	4 pcs
G			Washer	4 pcs
H		M4	Wrench	1 pc



Phillips head screwdriver required for assembly
(not included)

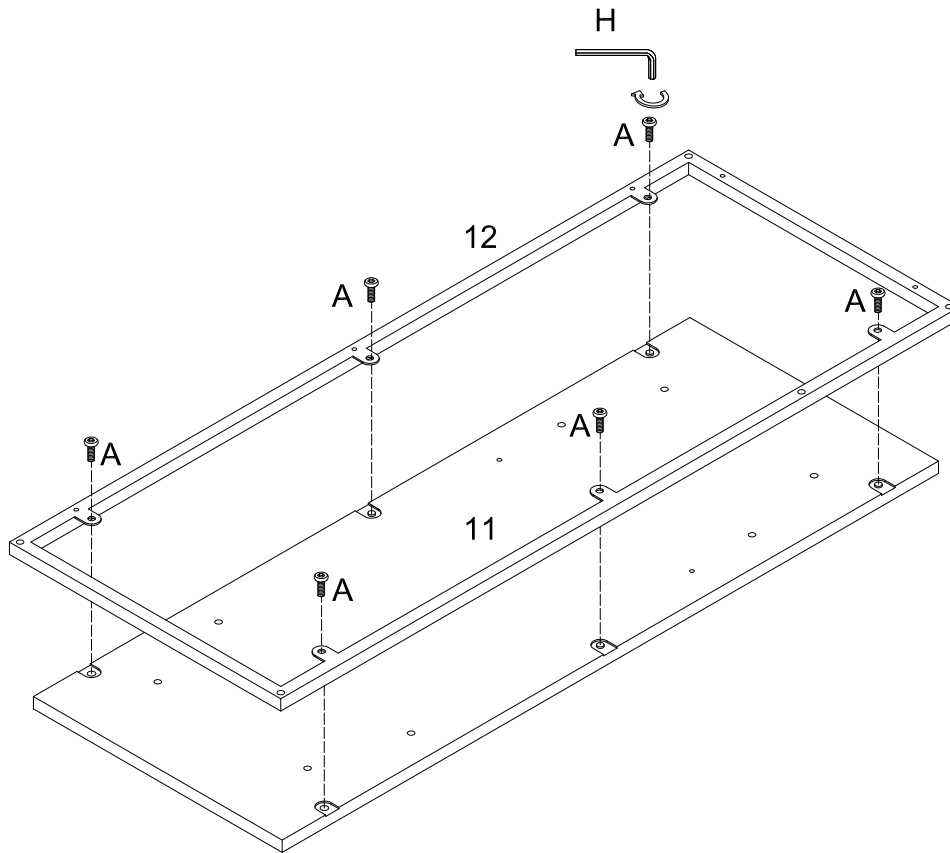
*The hardware quantities listed above are required for proper assembly.
Some extra hardware may also have been included.*

Step 1



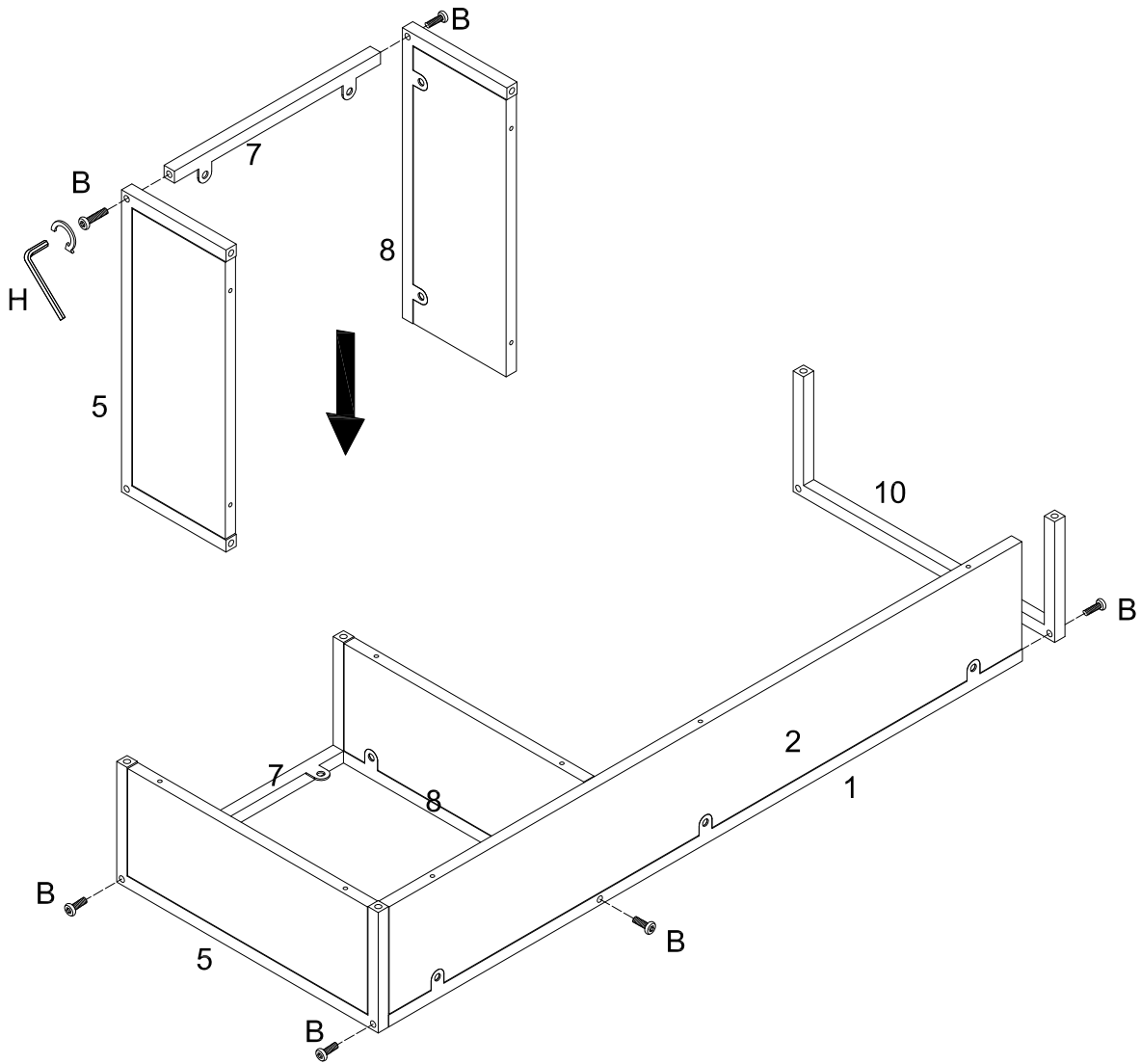
Using bolt (A) attach part (1) to part (2) ,part (5) to part (6) ,part (8) to part (9) with hex key (H) as per diagram.

Step 2



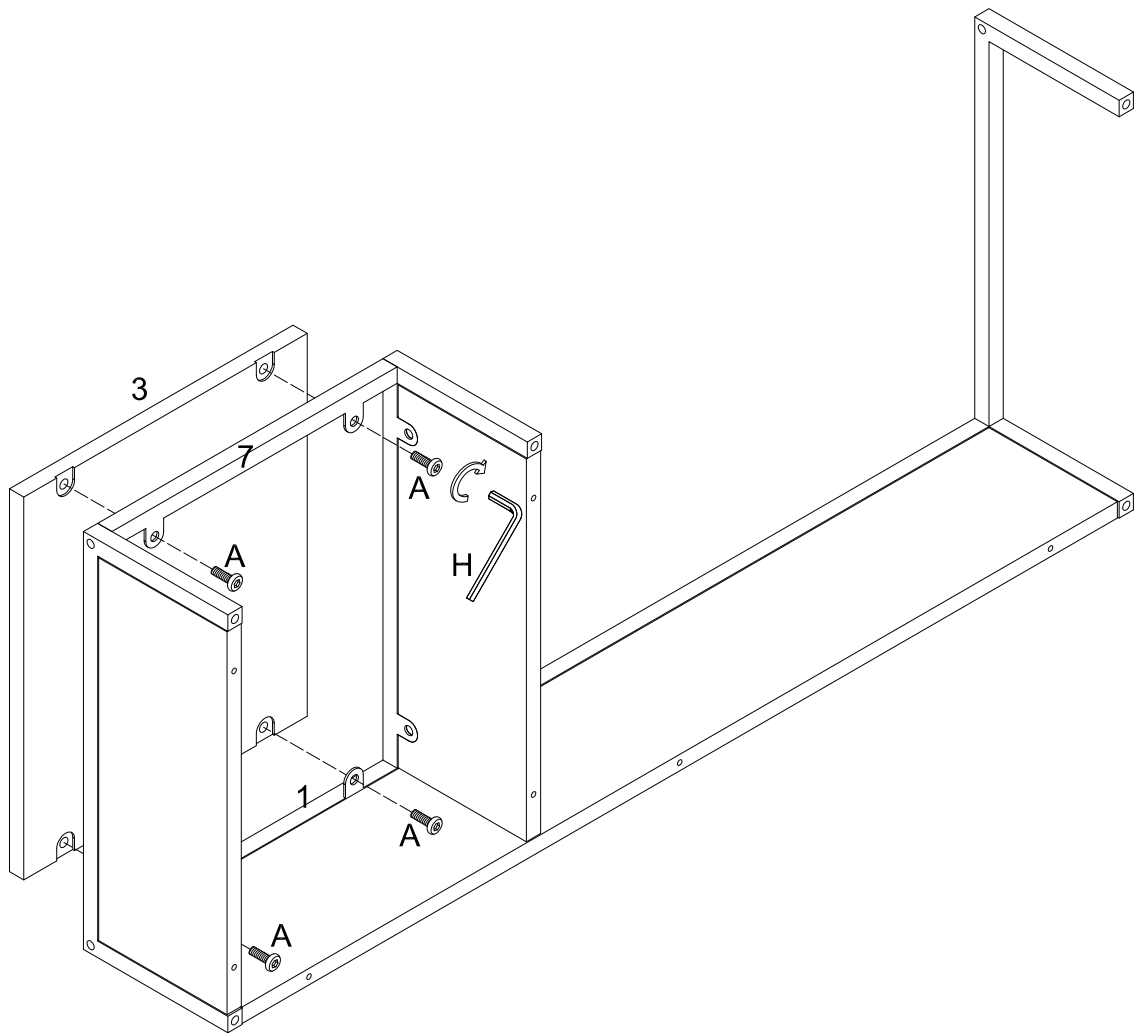
Using bolt (A) attach part (12) to part (11) with hex key (H) as per diagram.

Step 3



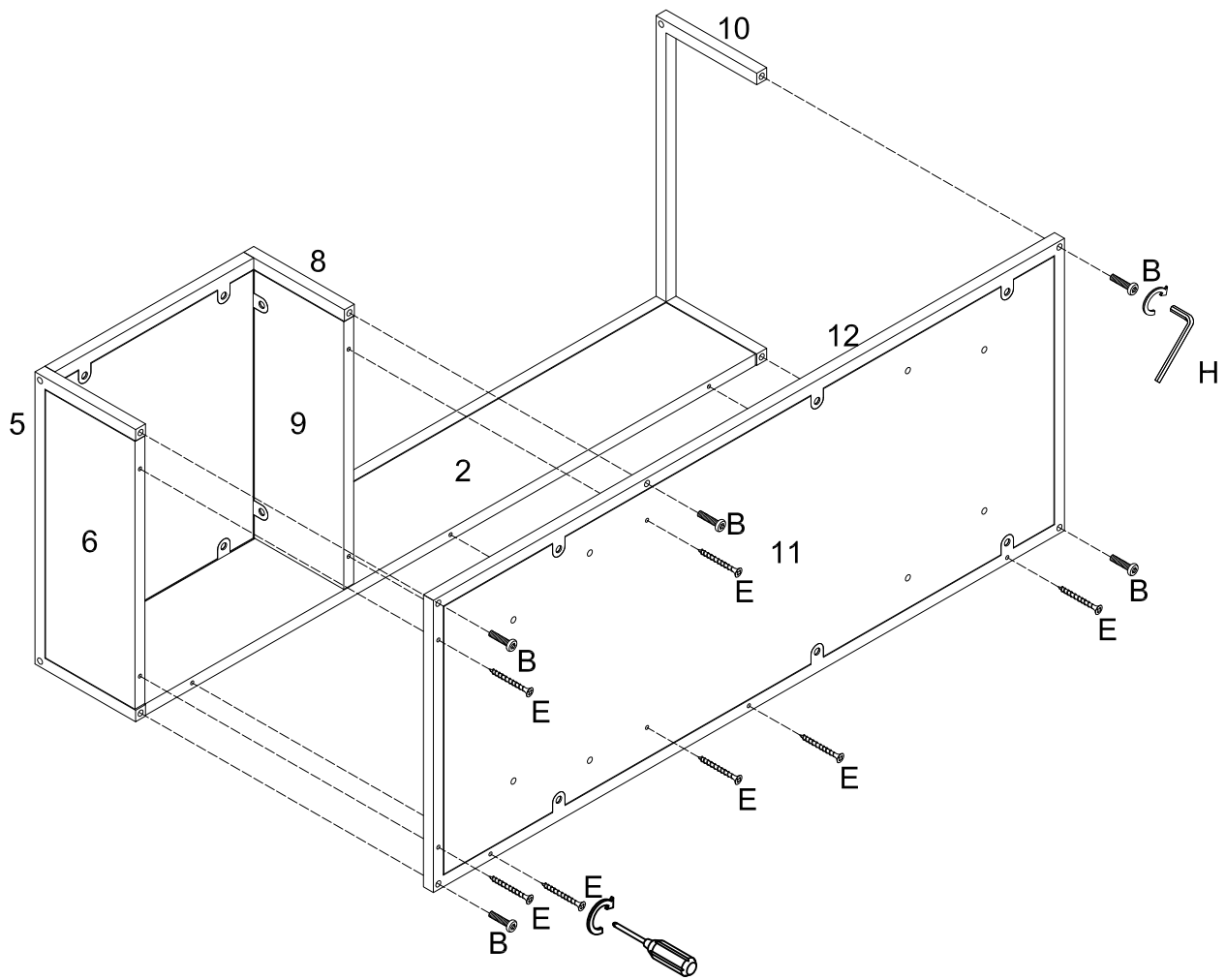
Using bolt (B) attach parts (5,8) to part (7) ,part (5,8,10) to part (1) with hex key (H) as per diagram.

Step 4



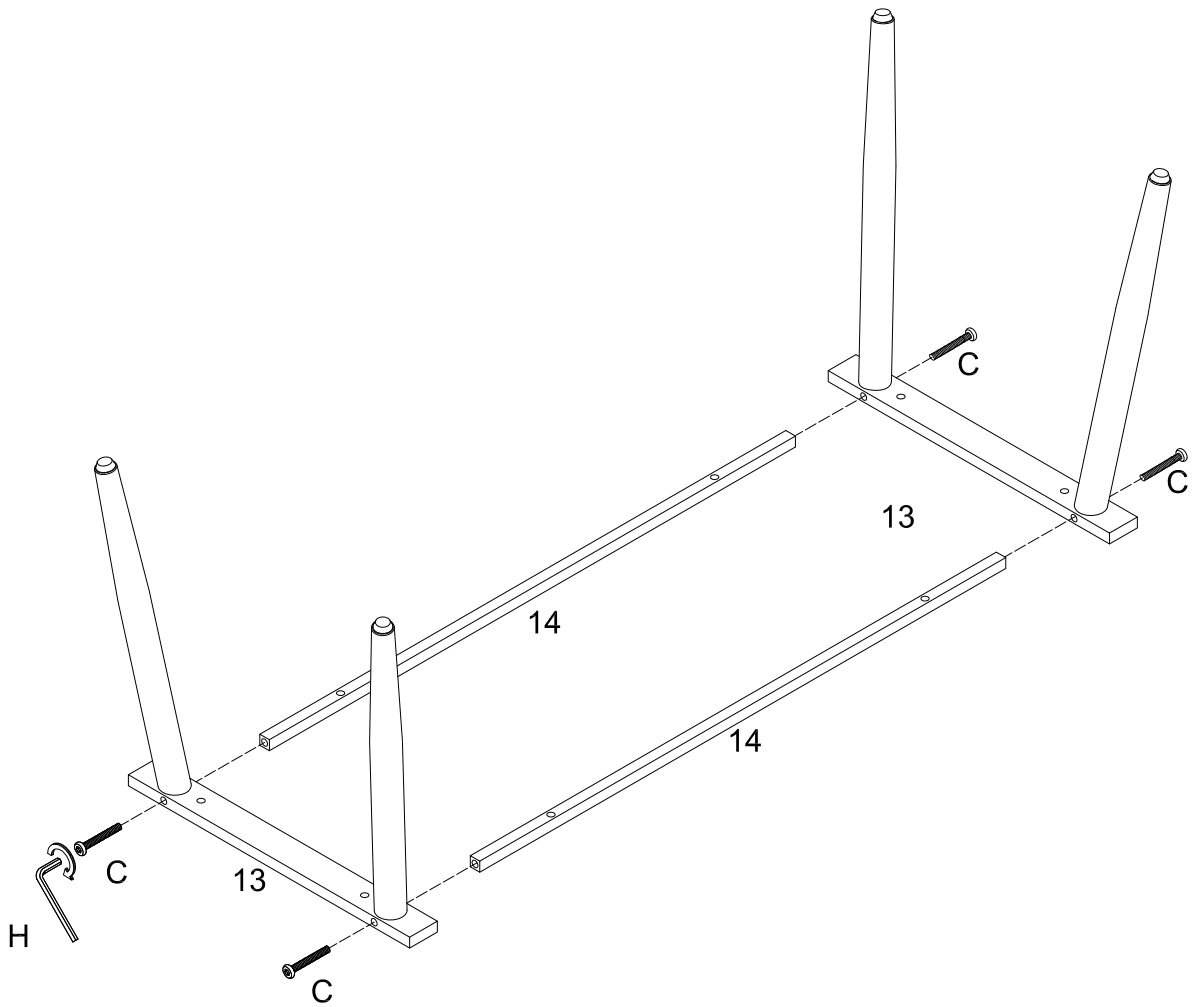
Using bolt (A) attach part (3) to parts (1,7) with hex key (H) as per diagram.

Step 5



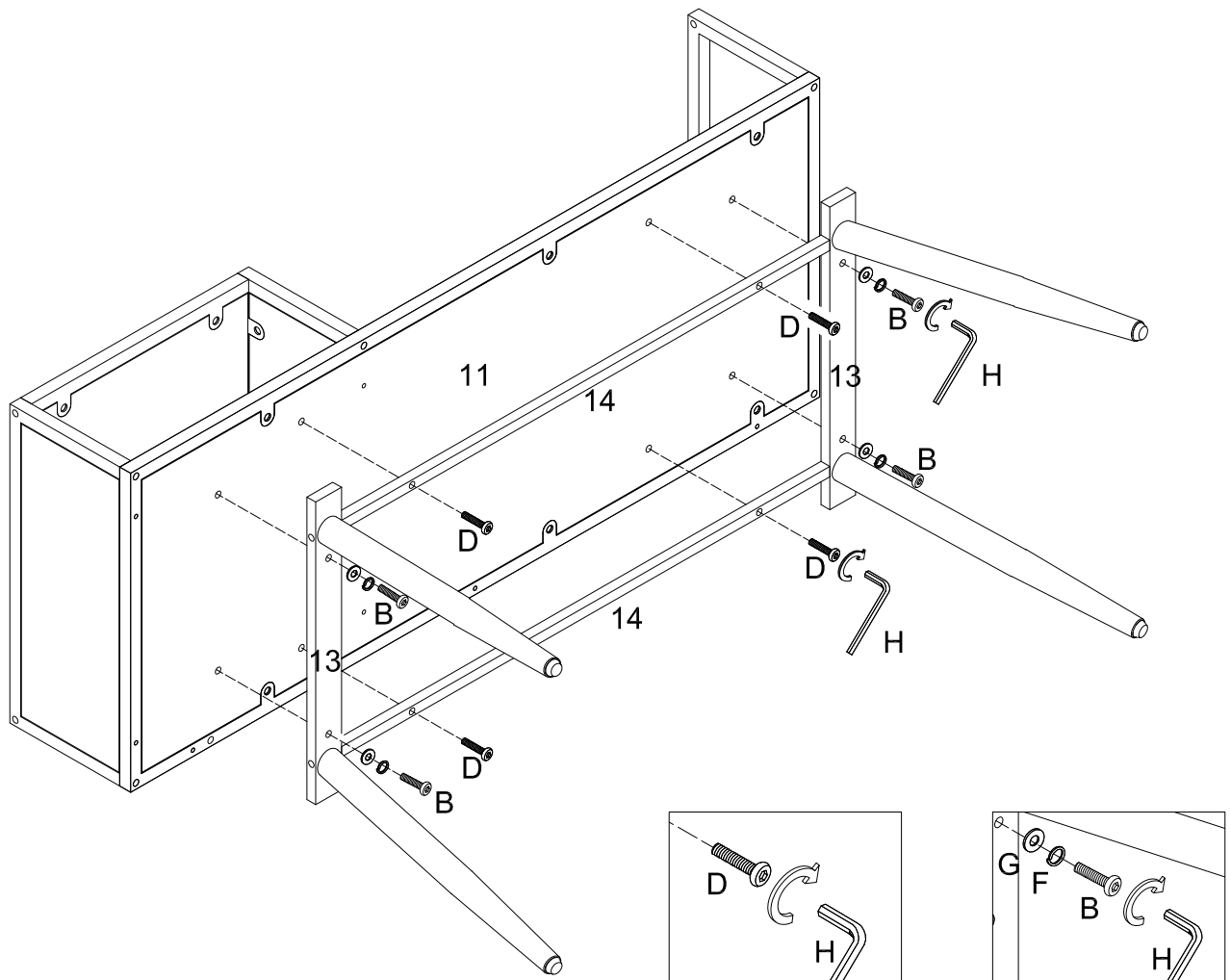
Using bolt (B) and screw (E) attach parts (11,12) to assembly unit with Philips head screwdriver and hex key (H) as per diagram.

Step 6



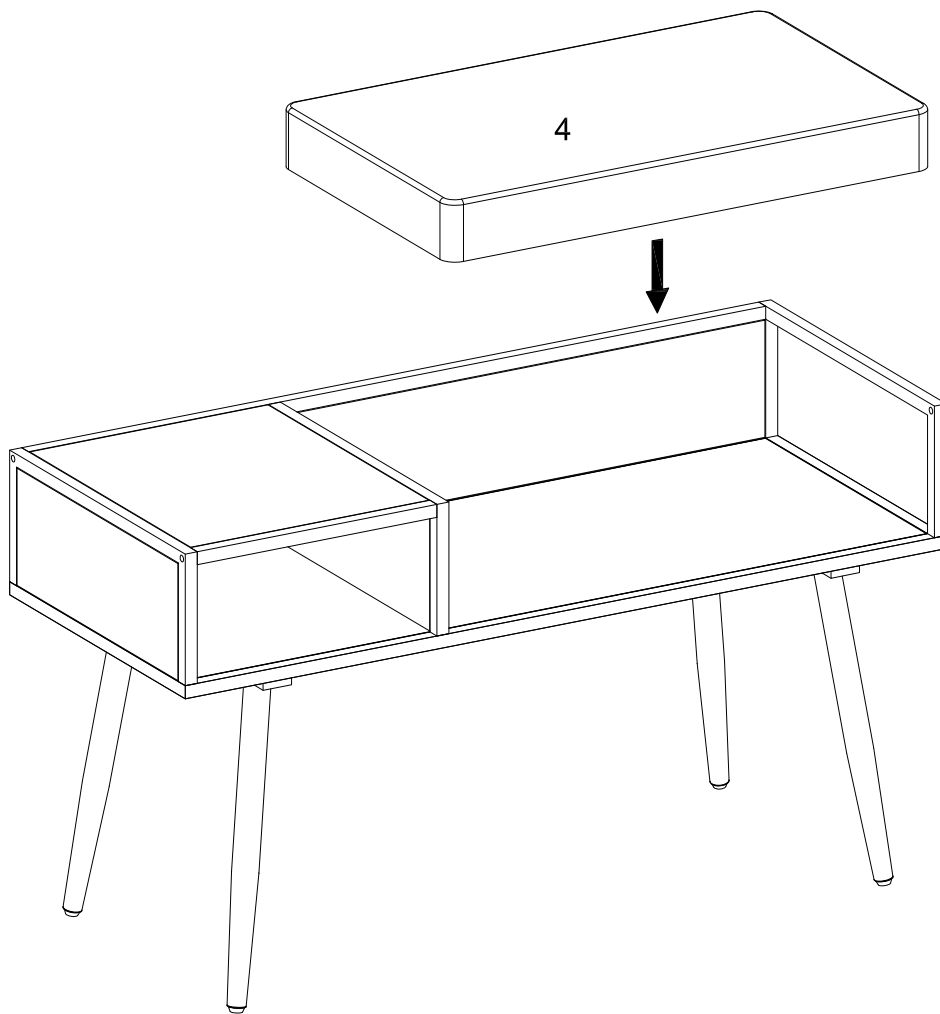
Using bolt (C) attach part (13) to part (14) with hex key (H) as per diagram. do not fully tighten bolts

Step 7



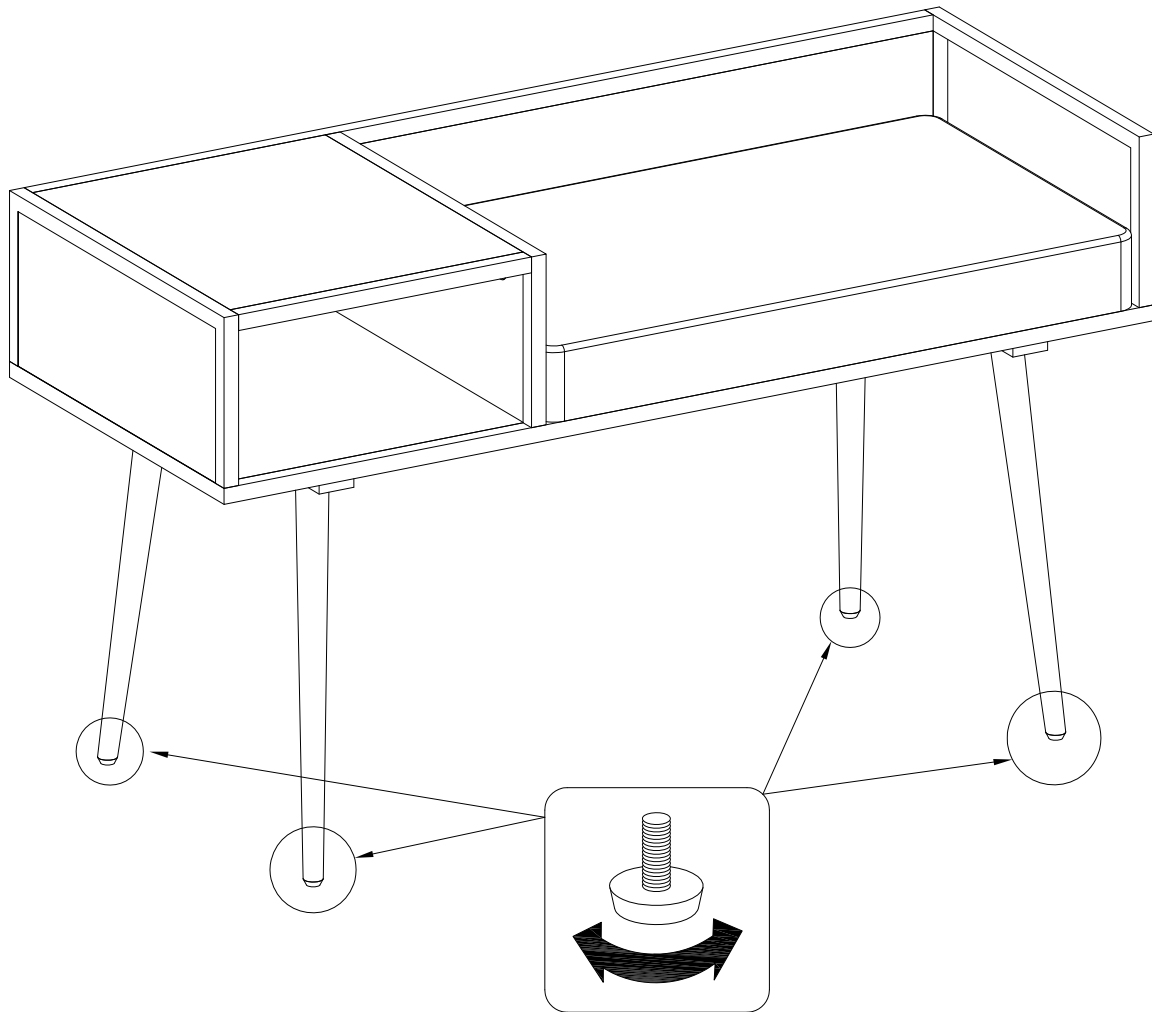
Align and attach parts (13,14) to assembly unit, using four bolts (D), four spring washers (F), four flat washers (G) and four bolts (B) as shown.
Then fully tighten all bolts.

Step 8



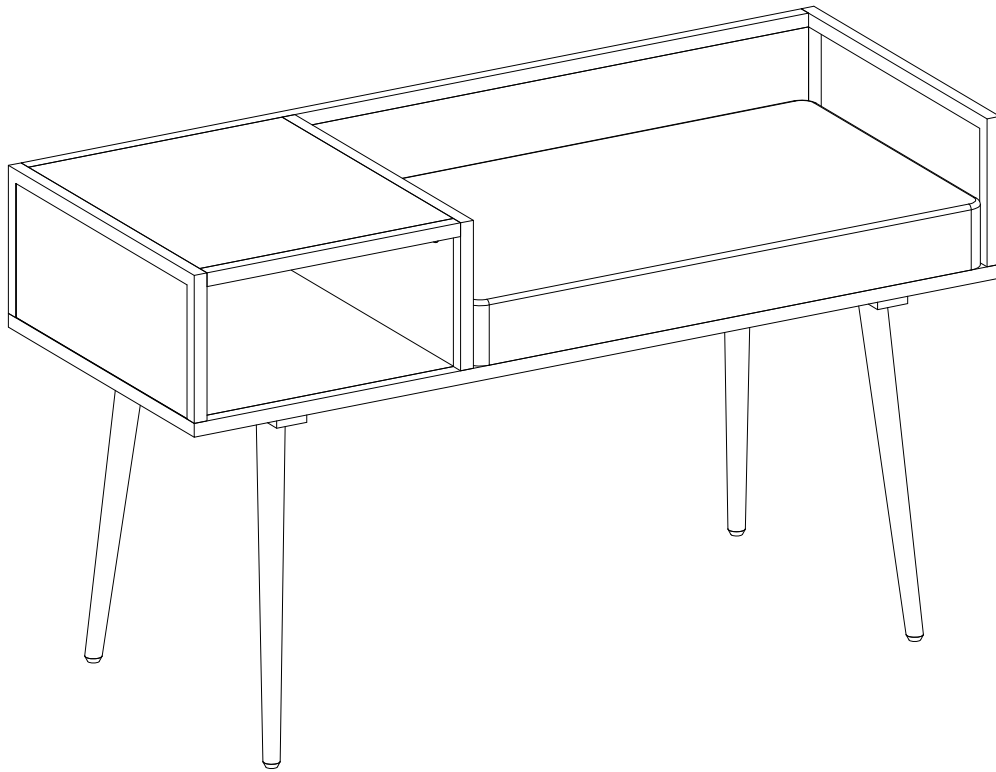
Put part (4) as per diagram.

Step 9



Position the assembled unit at the desired location .If necessary, adjust the floor levelers at the bottom of the legs to the level the unit .

Step 10



Final Assembly