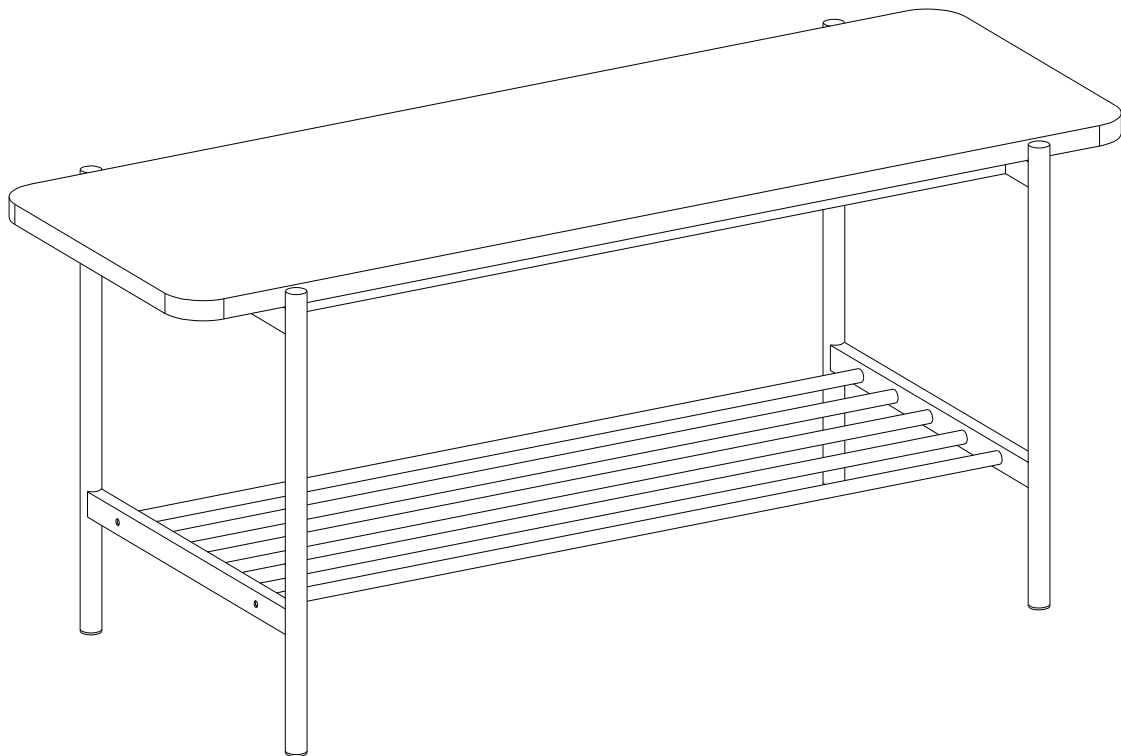


# Item # : B40ATH

## Assembly Instructions



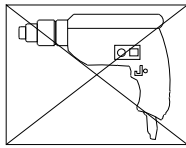
Walker Edison®

Please visit our website for the most current instructions, assembly tips, report damage, or request parts. [www.walkerediton.com](http://www.walkerediton.com)

Revised 15/09/2020(C)

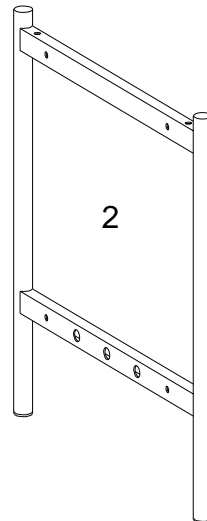
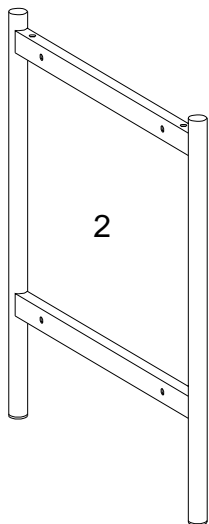
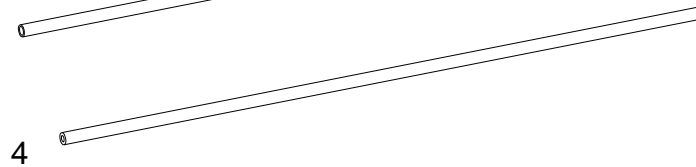
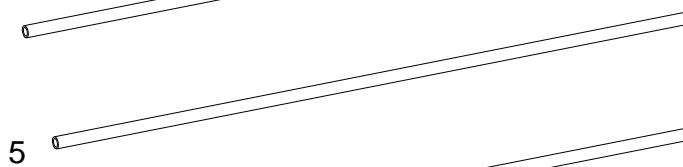
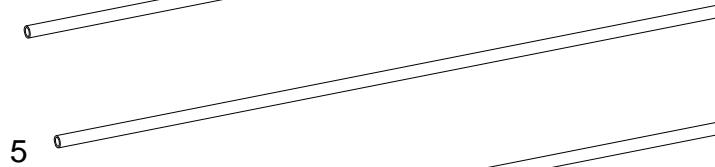
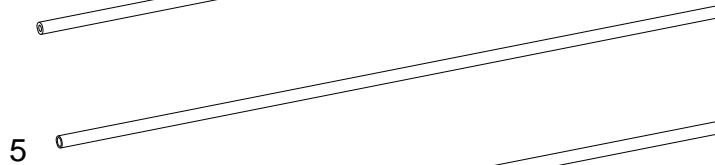
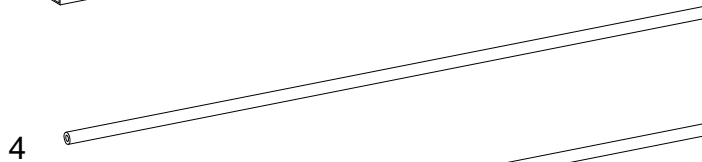
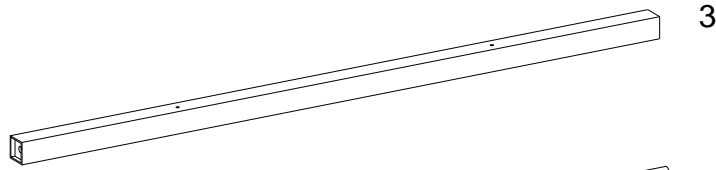
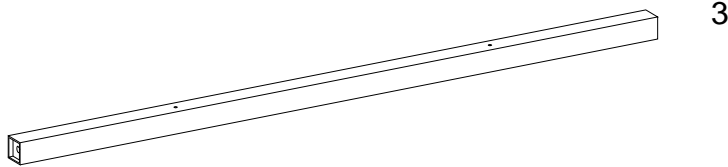
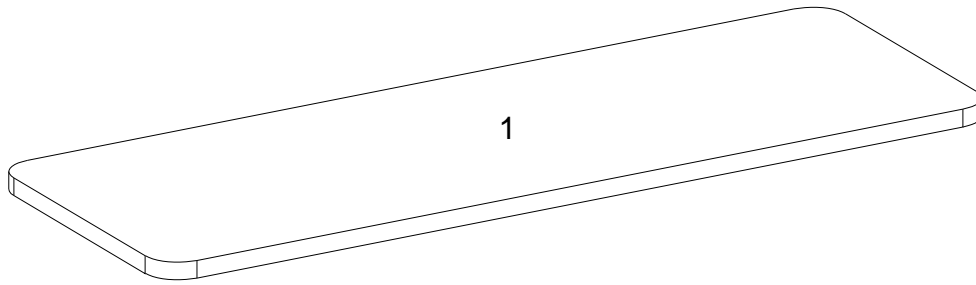
# General Assembly Guidelines

- I. Ensure that all parts and hardware are available before beginning assembly.
- II. Follow each step carefully to ensure the proper assembly of this product.
- III. Two people are recommended for ease in the assembly of this product.
- IV. The main type of hardware used to assemble this product are: bolts and screws.
- V. Power tools should not be used to assemble this product.



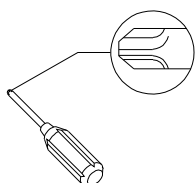
- VI. Drill may be needed for securing product to wall.

# Parts List



# Hardware List

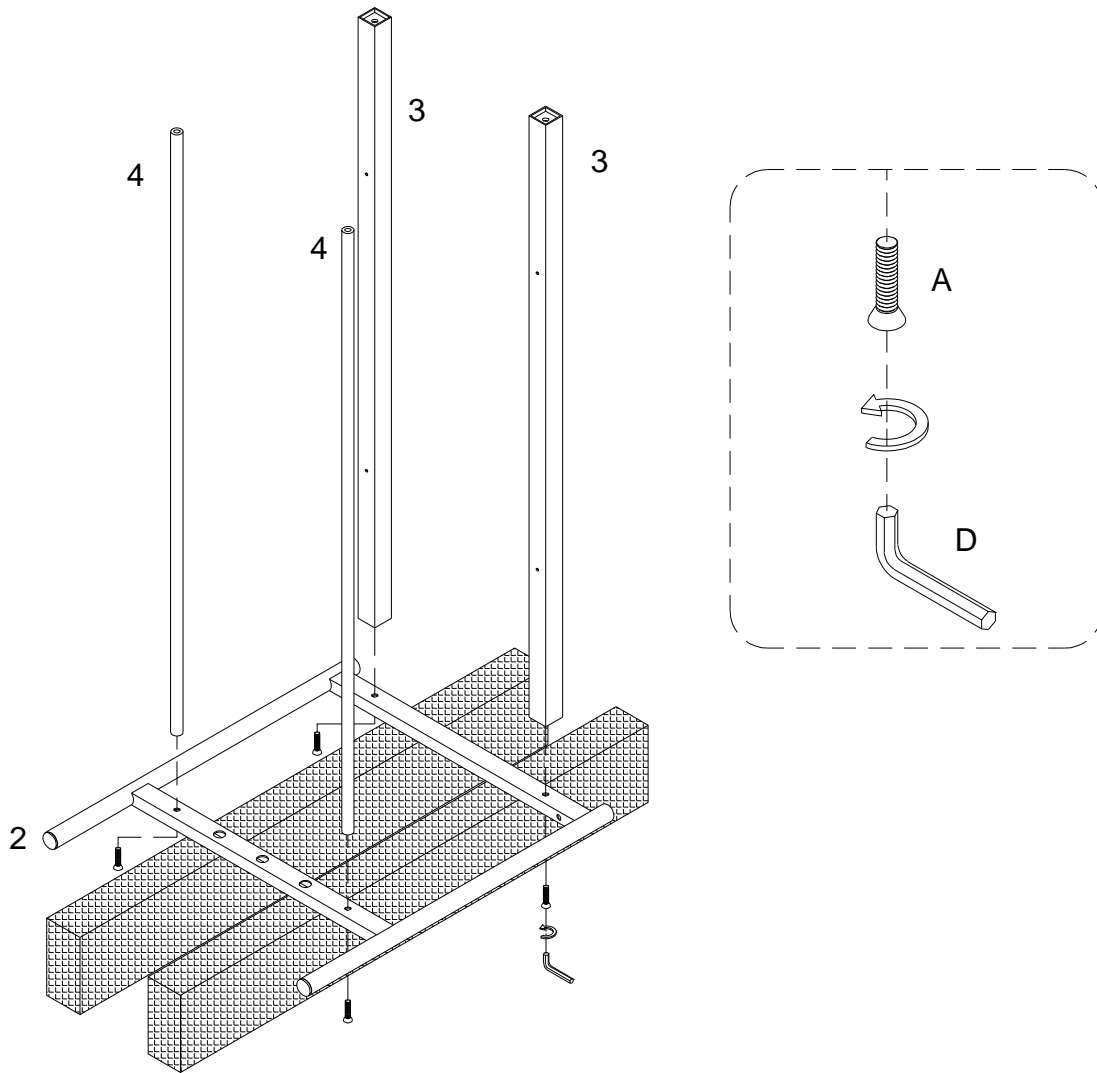
A		M6x30mm	Bolt	8	pcs
B		M6x38mm	Bolt	4	pcs
C		Ø4x38mm	Screw	4	pcs
D		M 4	Hex key	1	pc



Philips head screwdriver required for assembly  
(not included)

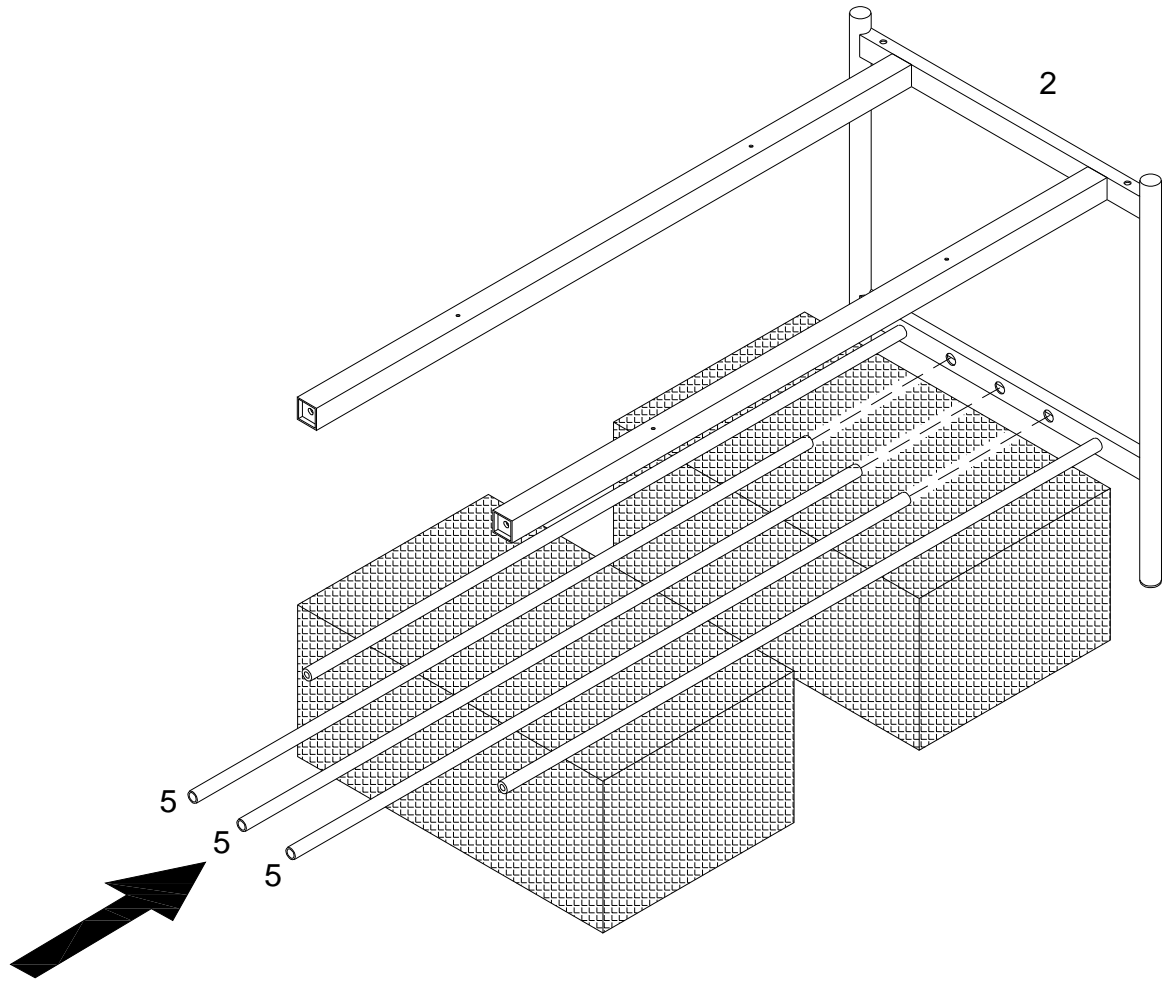
*The hardware quantities listed above are required for proper assembly.  
Some extra hardware may also have been included.*

# Step 1



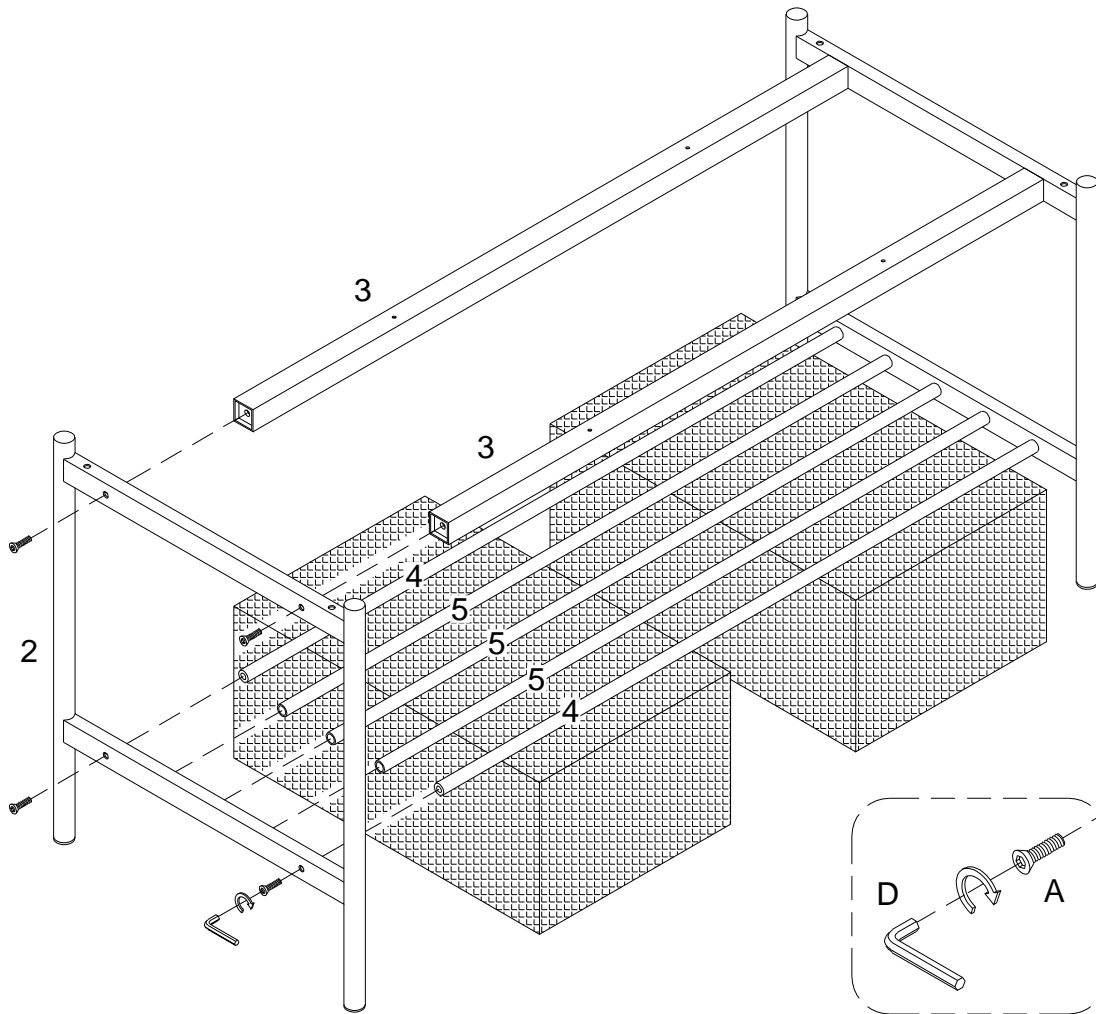
Using bolt (A) attach part (2) to parts (3,4) with Hex key (D) as per diagram.  
Note : Do not fully tighten all bolts.

# Step 2



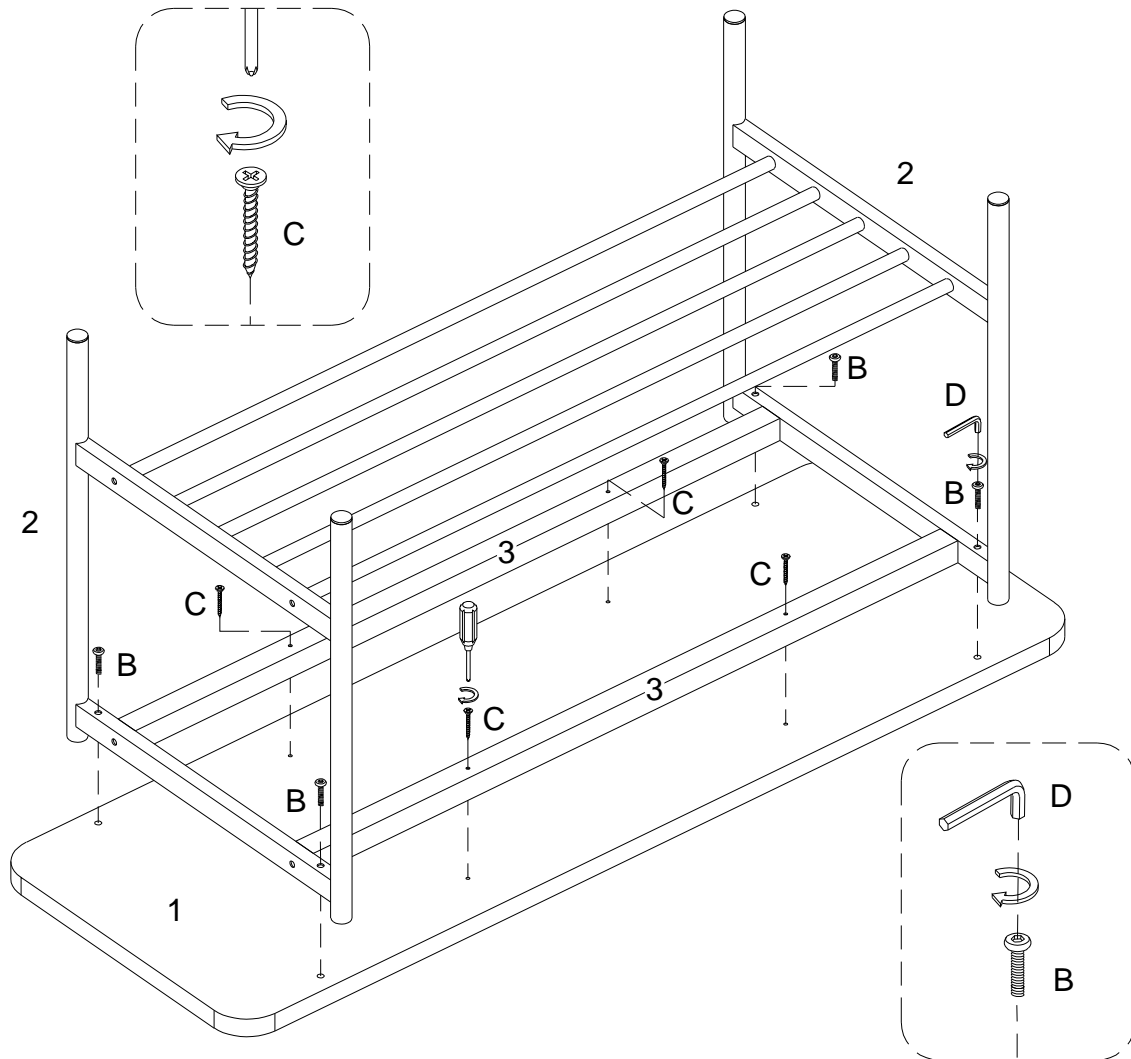
Insert part (5) to part (2) as per diagram.

# Step 3



Insert part (5) to part (2), then using bolt (A) attach part (2) to parts (3,4) with Hex key (D) as per diagram.

# Step 4

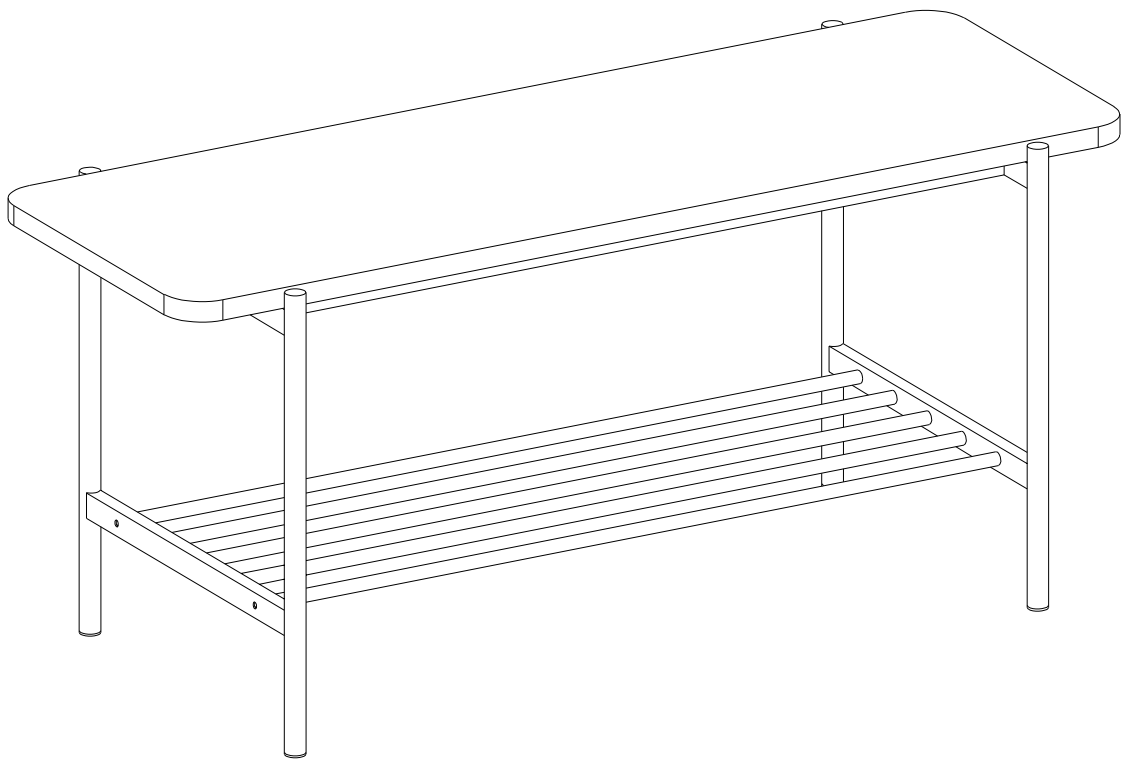


Using bolt (B) attach part (2) to part (1) with Hex key (D) ,then using screw (C) secure part (3) to part (1) with Philips head screwdriver as per diagram.

Note: Fully tighten all bolts.



# Step 5



## Final Assembly