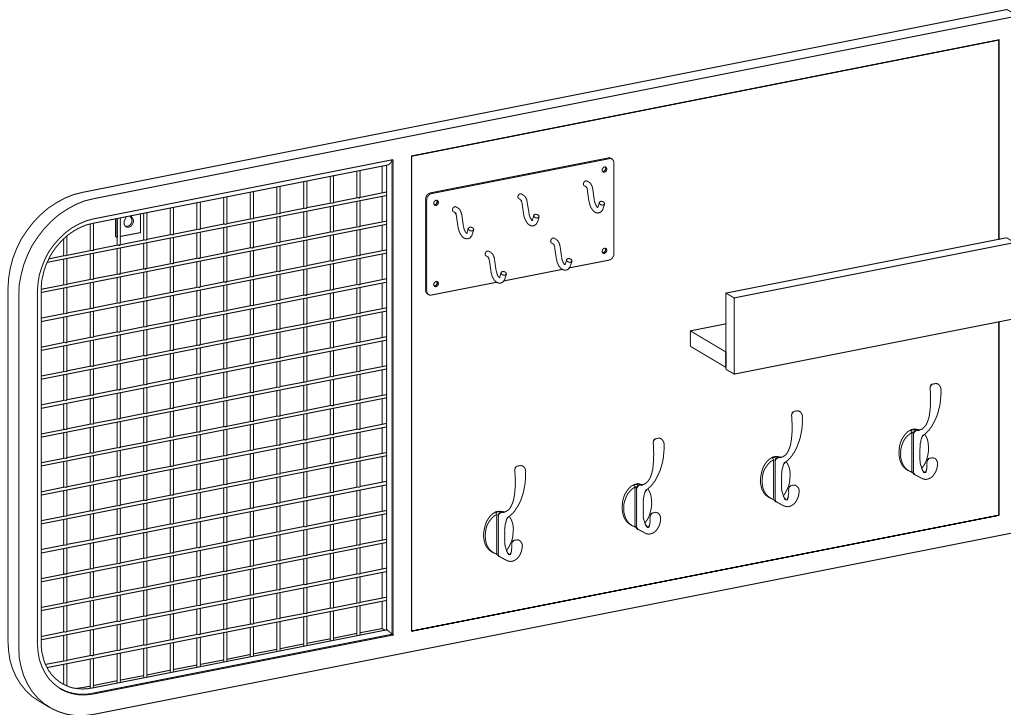


# Item # : HTX42LIA

## Assembly Instructions



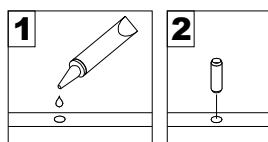
Walker Edison®

Please visit our website for the most current instructions, assembly tips, report damage, or request parts. [www.walkeredison.com](http://www.walkeredison.com)

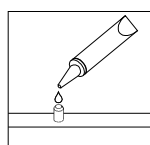
Revised 01/06/2020 (1)

# General Assembly Guidelines

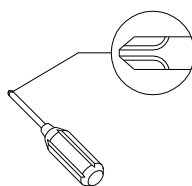
- I. Ensure that all parts and hardware are available before beginning assembly.
- II. Follow each step carefully to ensure the proper assembly of this product.
- III. Two people are recommended for ease in the assembly of this product.
- IV. The three main types of hardware used to assemble this product are: wood dowels, screws and bolts.
- V. The provided glue is to secure wood dowels in place. When first inserting dowels, locate the appropriate hole for the dowel, place a small amount of glue in the hole and insert the dowel. Wipe away excess glue immediately.



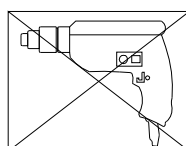
In future assembly steps when dowels are necessary to attach assembly parts together, place a small amount of glue on the end of the dowel before attaching parts together. Wipe away excess glue immediately.



- VI. A Phillips head screwdriver is required for the assembly of this product .

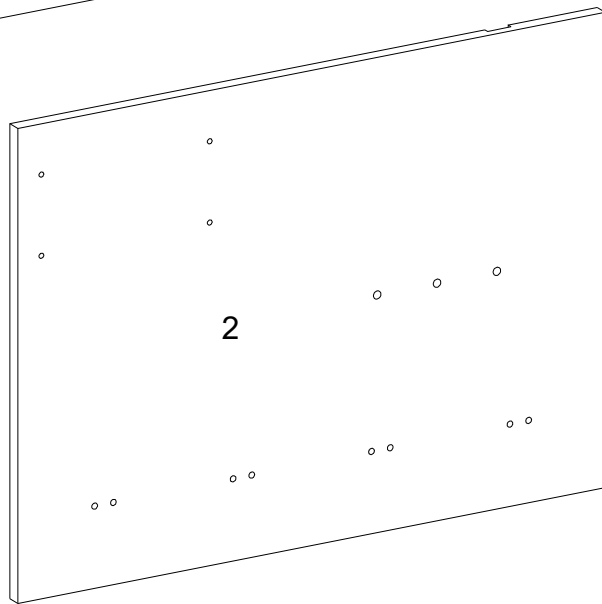
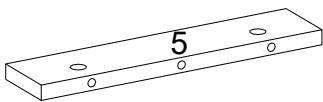
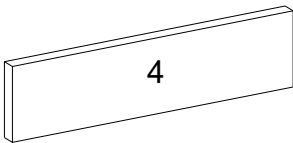
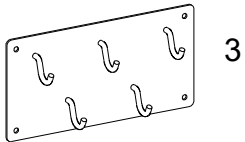
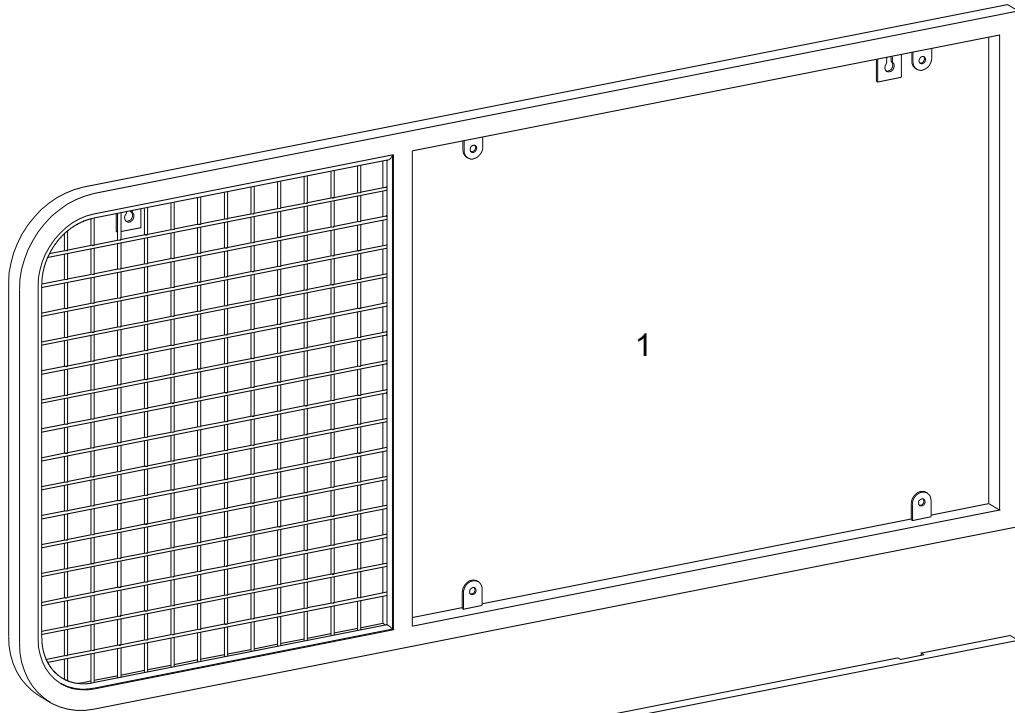


- VII. Power tools should not be used to assemble this product.


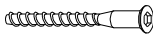

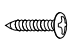


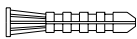




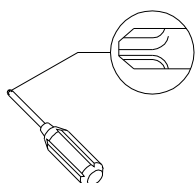
- VIII. Drill may be needed for securing product to wall.

# Parts List



# Hardware List

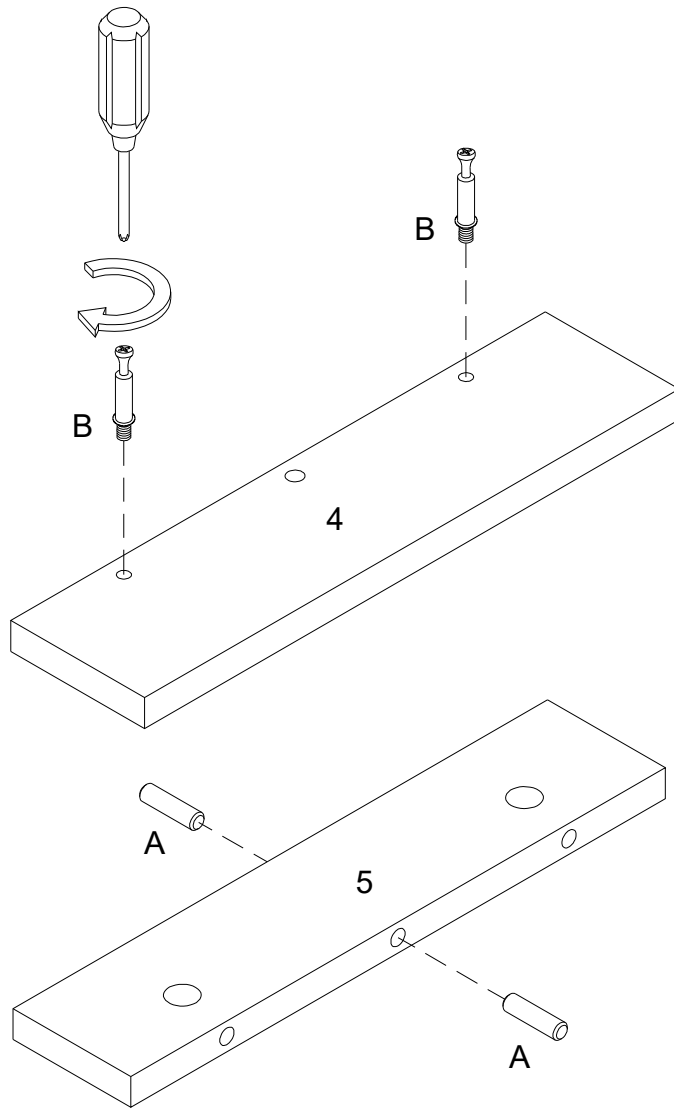
A		Ø8x30mm	Wooden dowel	2	pc
B		Ø6x35mm	Cam bolt	2	pcs
C		Ø15x11mm	Cam lock	2	pcs
D		Ø30mm	Sticker	2	pcs
E		Ø6x38mm	Screw	2	pcs
F		Ø1/4"x12mm	Bolt	4	pcs
G		Ø4x12mm	Screw	4	pcs
H		M 4	Hex key	1	pc
J			Glue tube	1	pc
K			Anchor	2	pcs
L		Ø5x40mm	Screw	2	pcs
M			Hook	4	sets



Philips head screwdriver required for assembly  
(not included)

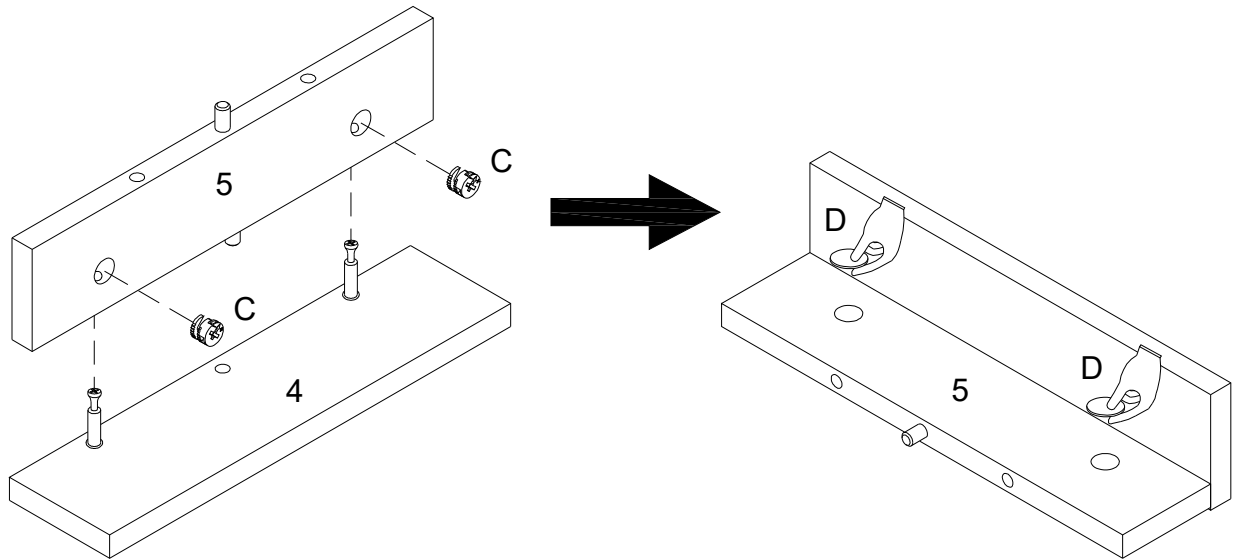
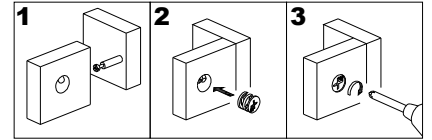
*The hardware quantities listed above are required for proper assembly.  
Some extra hardware may also have been included.*

# Step 1



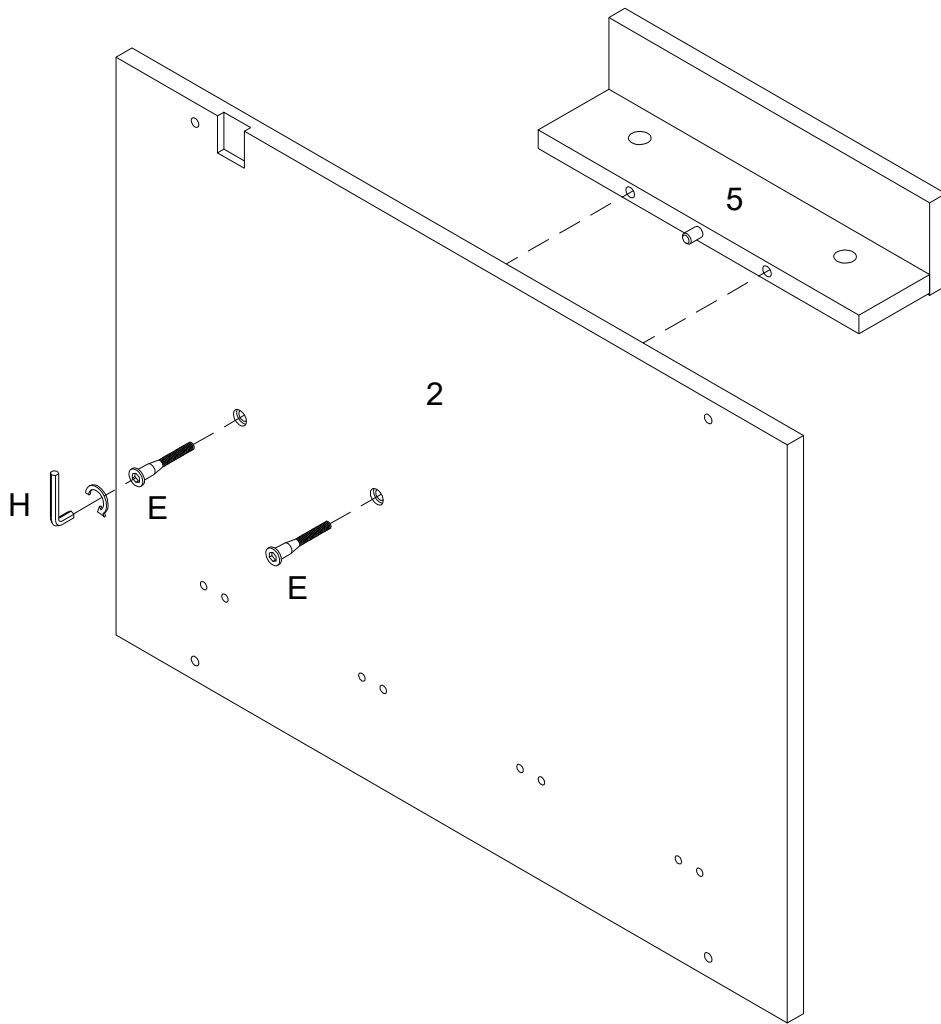
Insert wooden dowel (A) into part (5) , then secure Cam bolt (B) into part (4) with Philips head screwdriver as per diagram.

# Step 2



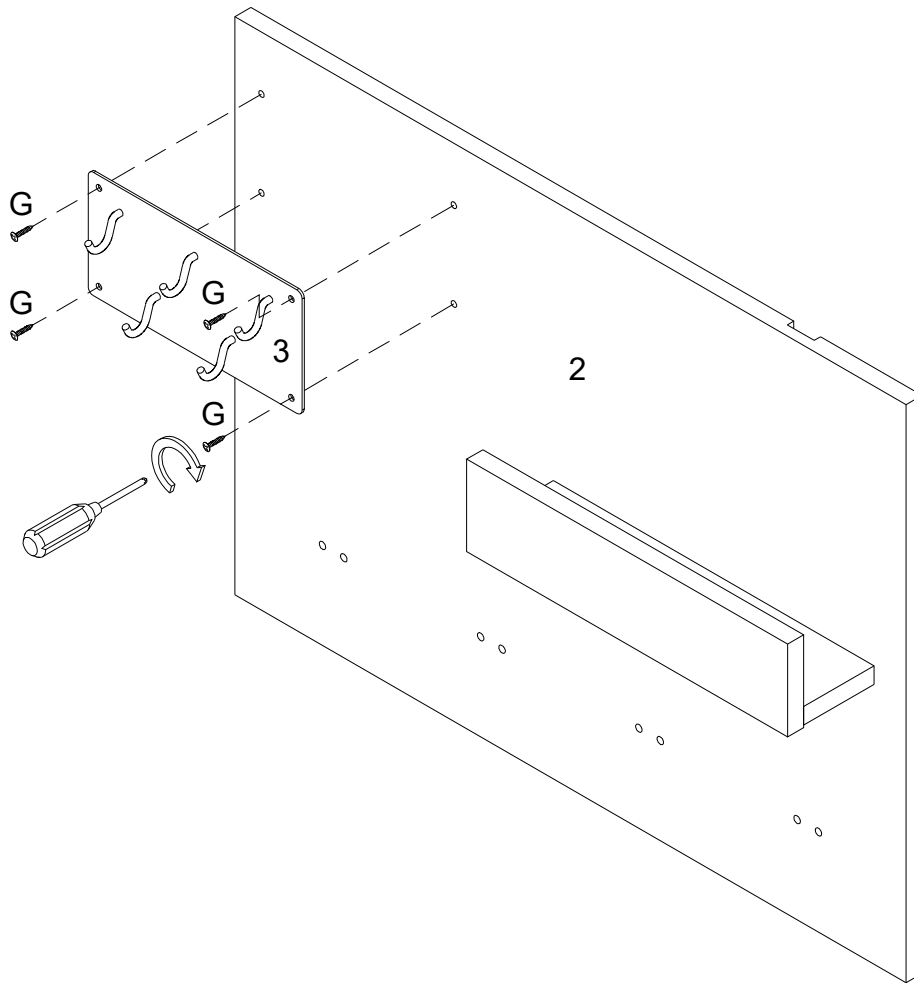
Using Cam lock(C) secure part (5) to part (4) with Philips head screwdriver ,then place sticker (D) cover the holes as per diagram .

# Step 3



Using Screw (E) attach part (2) into part (5) with Hex key (H) as per diagram.

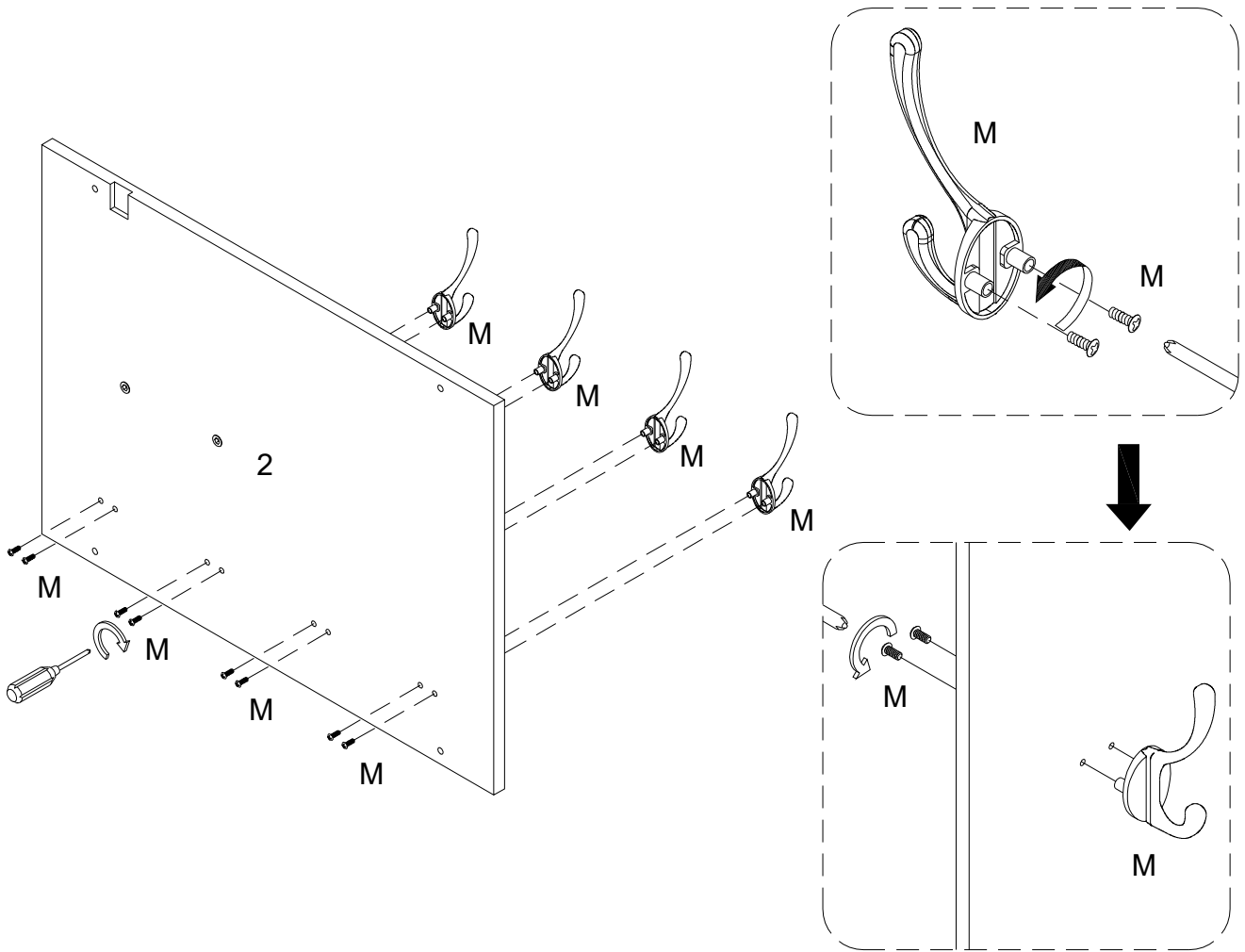
# Step 4



Using Screw (G) attach part (3) to part (2) with Philips head screwdriver as per diagram.

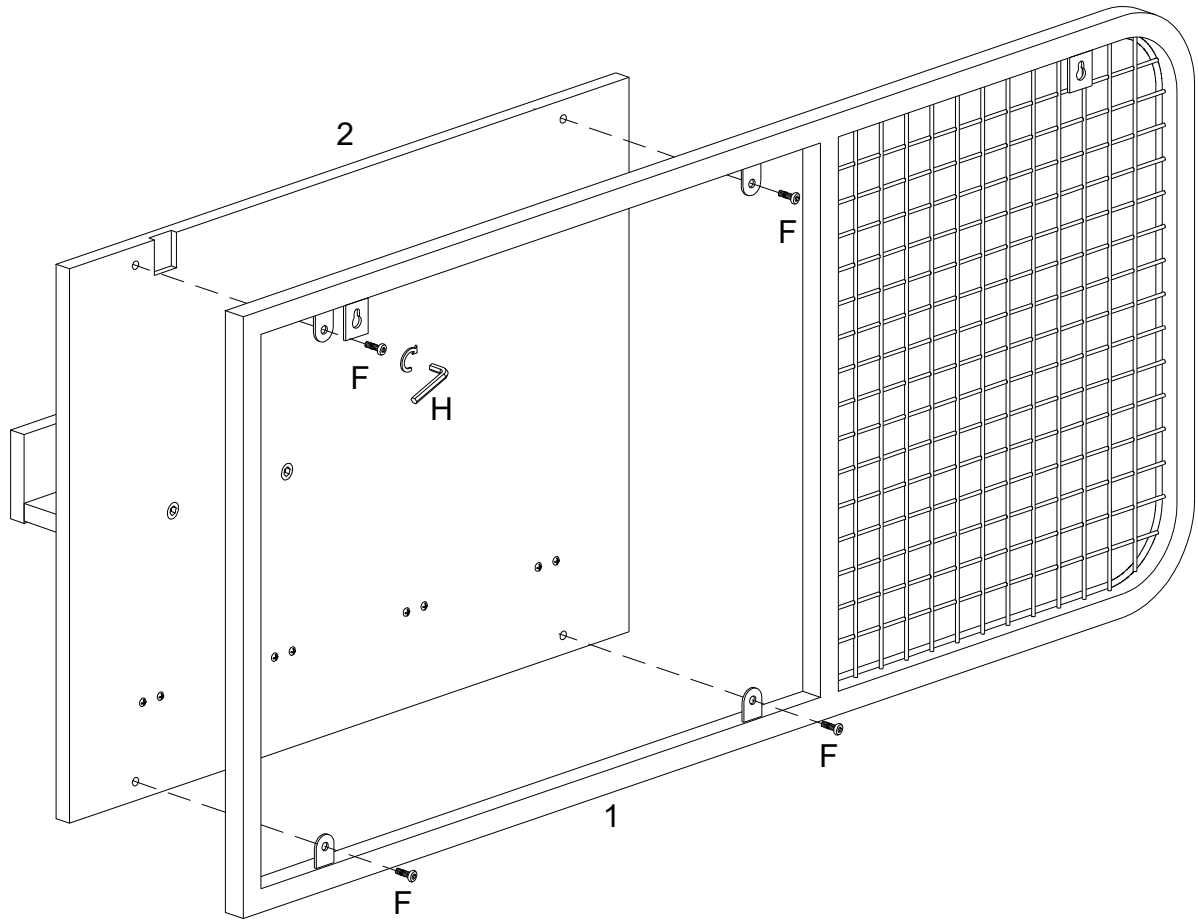


# Step 5



Secure Hook (M) into part (2) with Philips head screwdriver as per diagram.

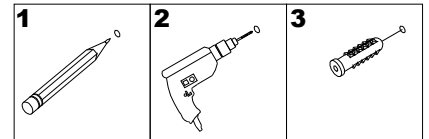
# Step 6



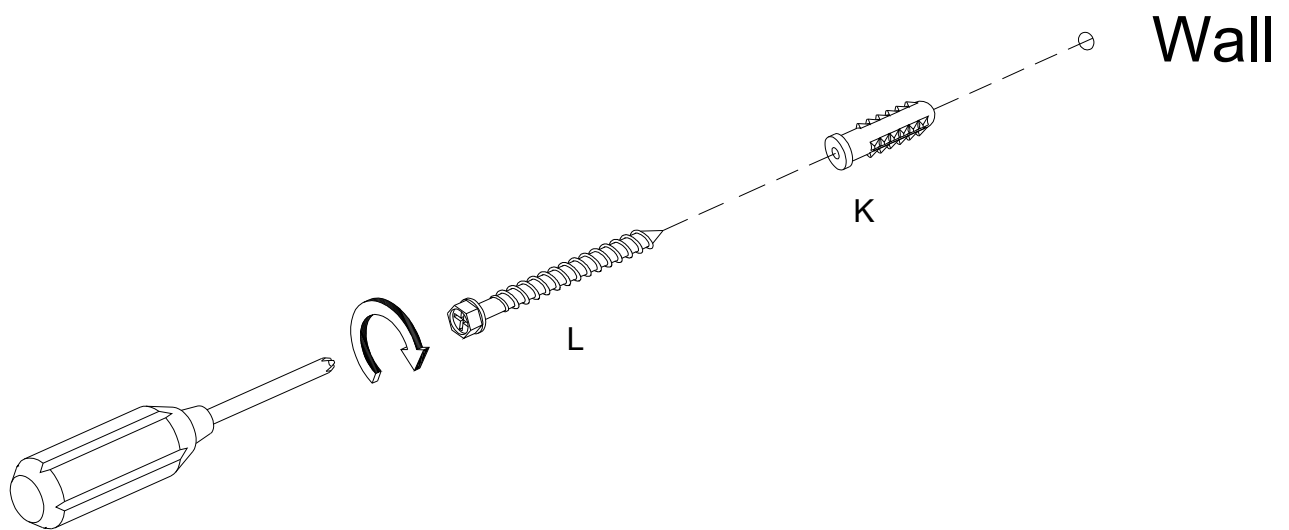
Using Bolt (F) attach part (1) to part (2) with Hex Key (H) as per diagram.

# Step 7

## WARNING

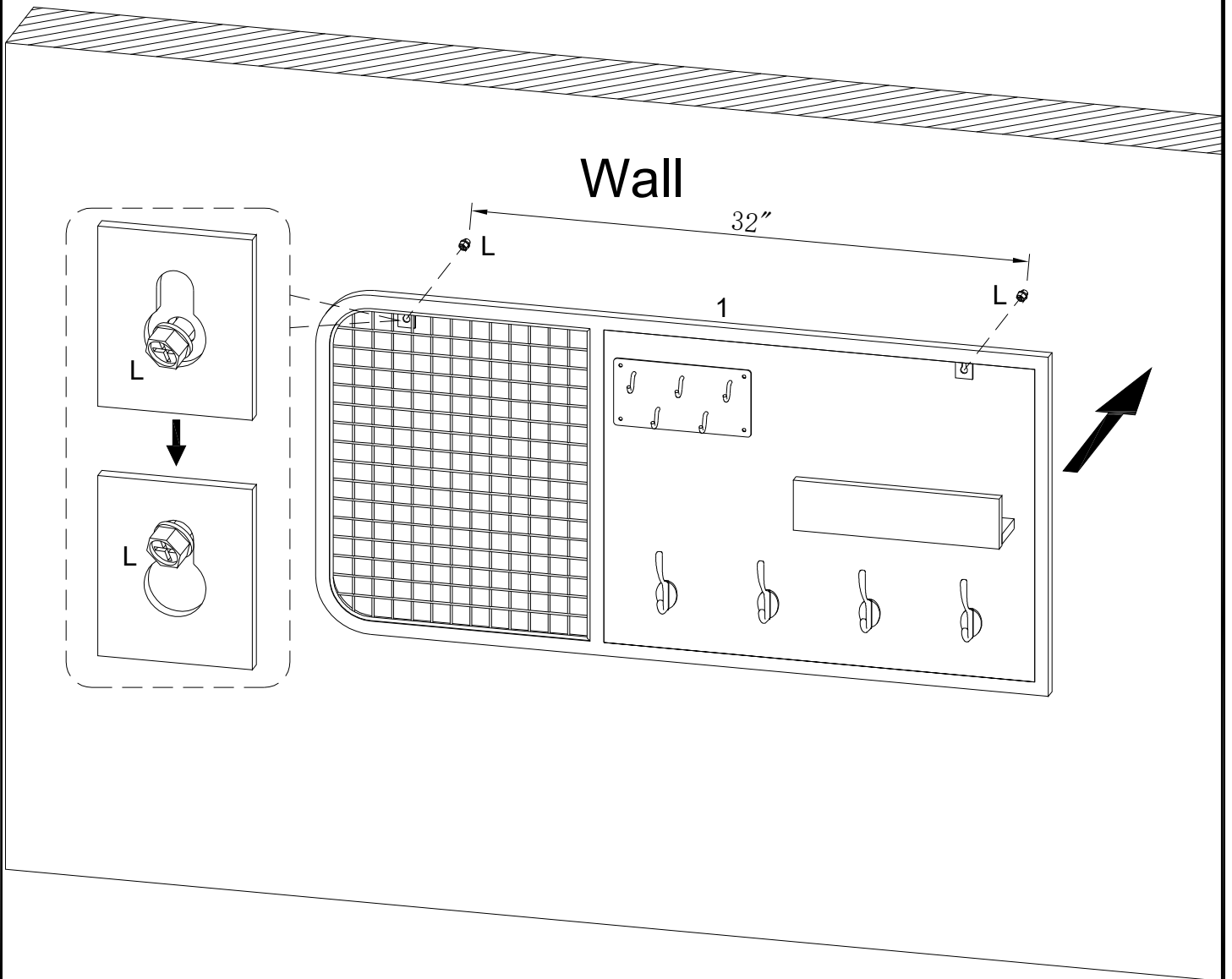


Serious or fatal injuries can occur from furniture tipping over. To prevent the furniture from tipping over we recommend that it is permanently fixed to the wall. Wall anchor and hardware are included with this product. Please make sure hardware is suitable for your walls before installing, as different wall materials may require different types of anchors.



Using Screw (L) insert Anchor (K) to Wall with Philips head screwdriver as per diagram.

## Step 8

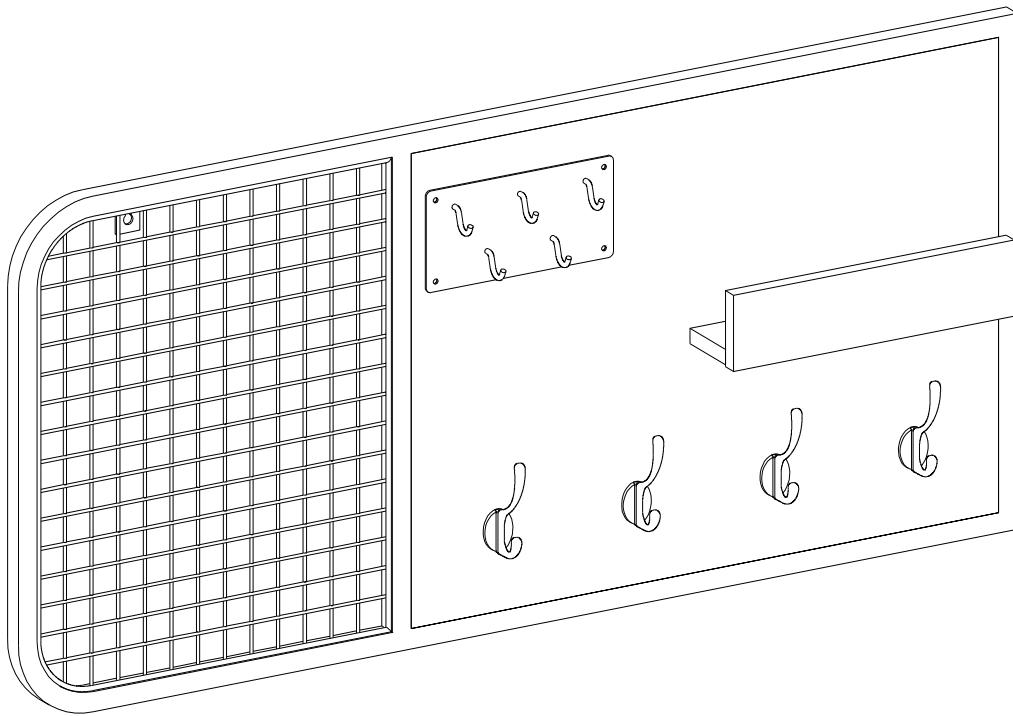


Place part (1) to Wall with Screw (L) as per diagram.

If necessary , use this template to mark where to insert mounting hardware for easy placement.

- 1 - Tape template to wall in desired location - use a level with the dotted line to ensure that template is level .
- 2 - Using a screw or pencil, poke through the paper at the center of each circle x to mark your wall .
- 3 - Remove the paper template and using the markings, insert mounting hardware into wall .

# Step 9



## Final Assembly