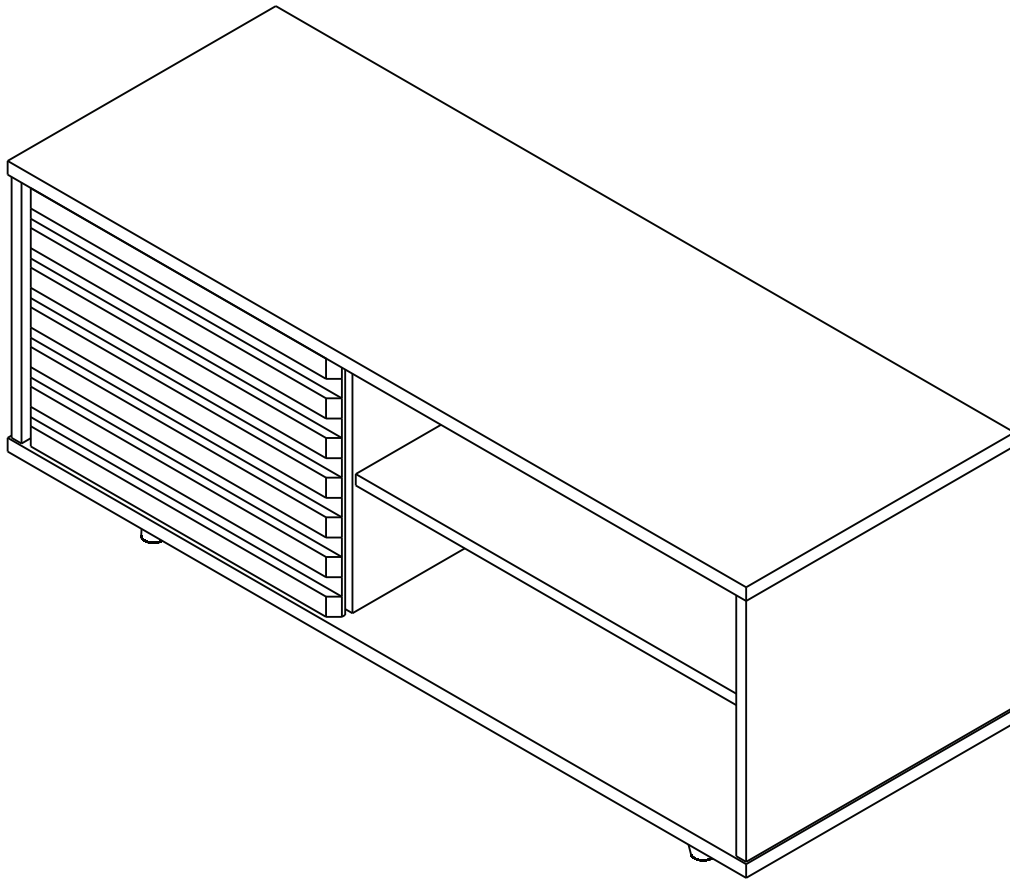


Item #: B44CORSW

Assembly Instruction

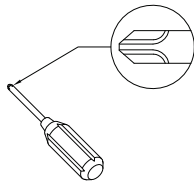


Please visit our website for the most current instructions, assembly tips report damage, or request parts. www.walkeredison.com

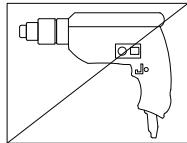
Revised 11/2019

General Assembly Guidelines

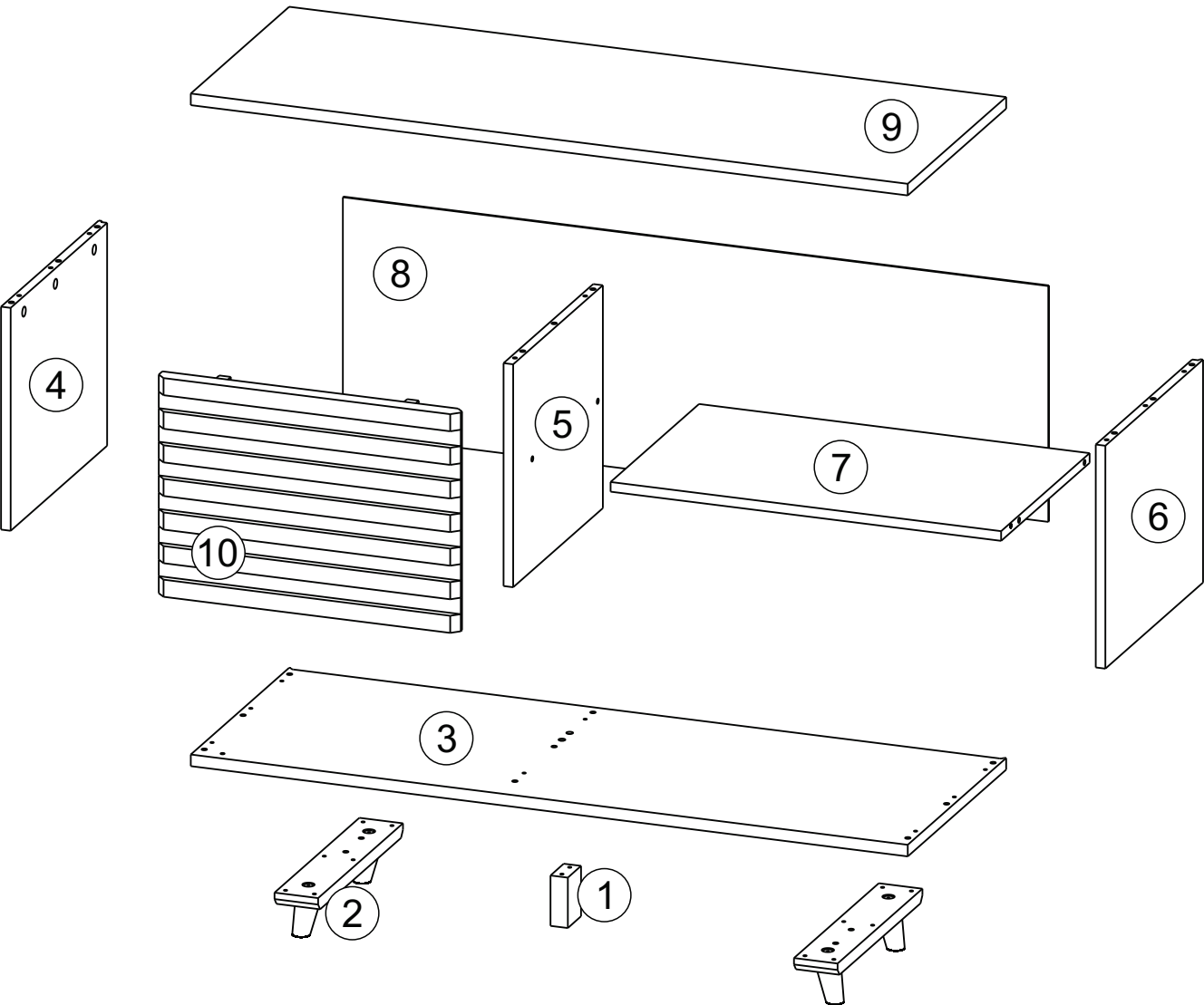
- I. Ensure that all parts and hardware are available before beginning assembly.
- II. Follow each step carefully to ensure the proper assembly of this product.
- III. Two people are recommended for ease in the assembly of this product.
- IV. The three main types of hardware used to assemble this product are : wood dowels , screws and bolts.
- V. A Phillips head screwdriver is required for the assembly of this product .



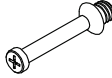


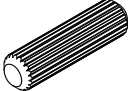
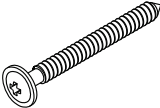
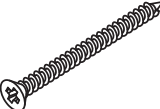
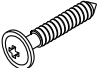

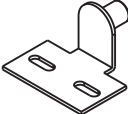
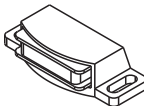
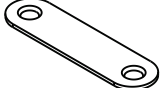
- VI. Power tools should not be used to assemble this product .

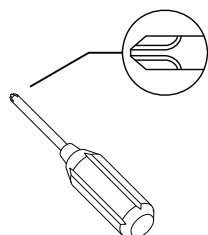


Parts List



Hardware List

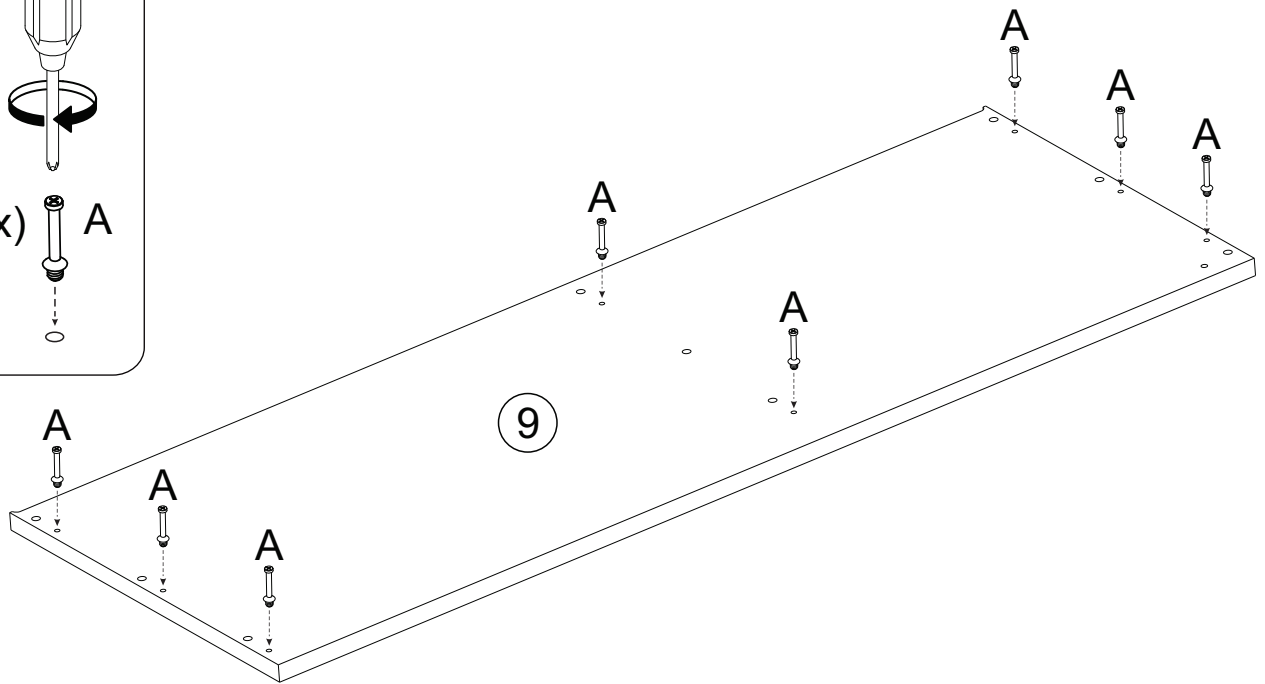
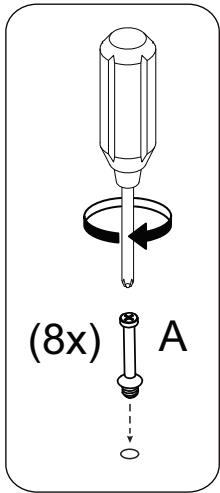
A		Ø 5,5x28mm	Cam Bolt	08 pcs
B		Ø 14x14mm	Cam Lock	08 pcs
C		Ø 3,5x14 mm	Screw	02 pcs
D		Ø 8x30 mm	Wood dowel	28 pcs
E		Ø 3,5x30 mm	Screw	16 pcs
F		Ø 4x40mm	Screw	08 pcs
G		Ø 3,5x16 mm	Screw	24 pcs
H			Washer	01 pc
I			Hinge	02 pcs
J			Latch	01 pc
K			Latch Stop	01 pc



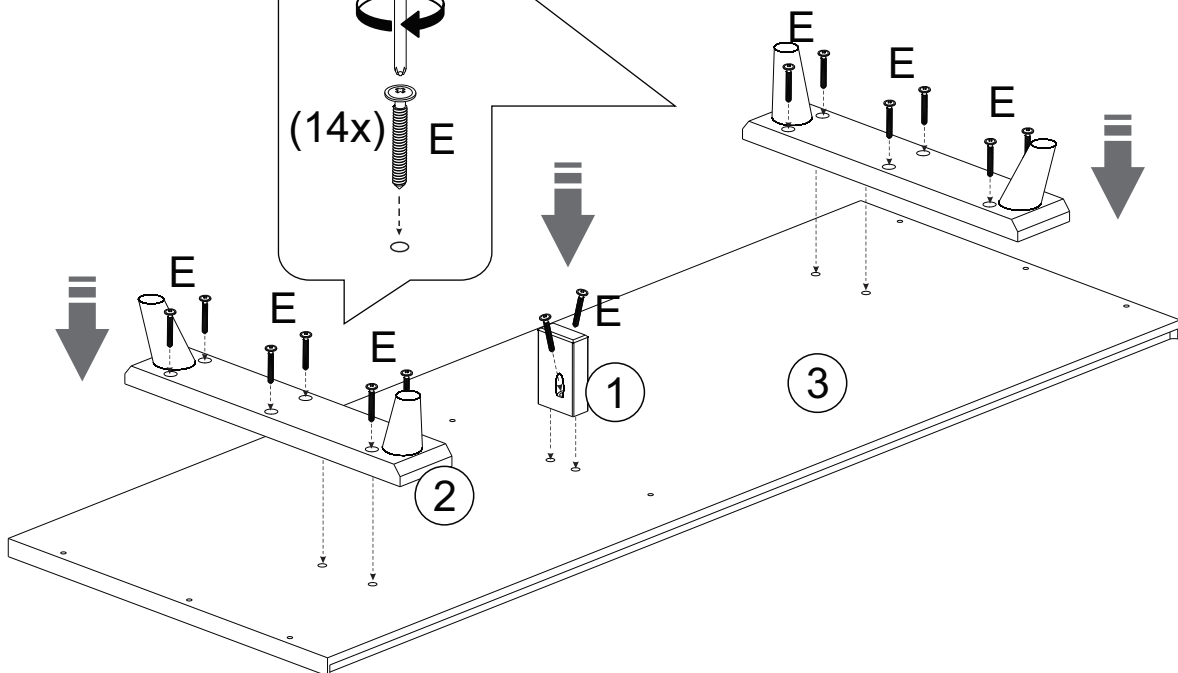
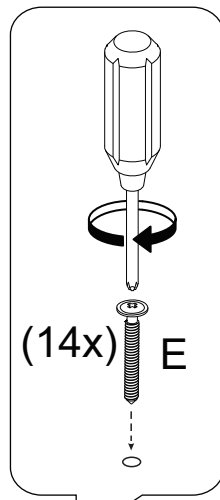
Philips head screwdriver required for assembly
(not included)

*The hardware quantities listed above are required for proper assembly.
Some extra hardware may also have been included.*

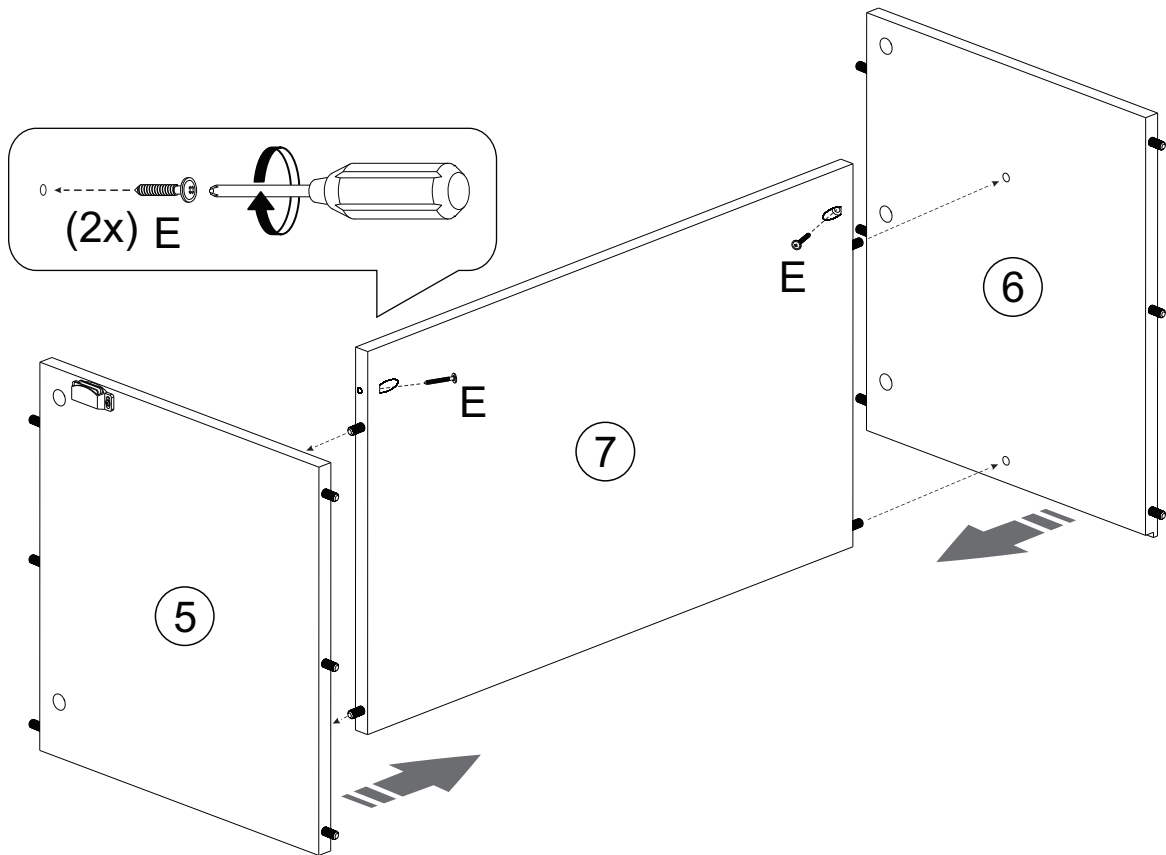
Step 3



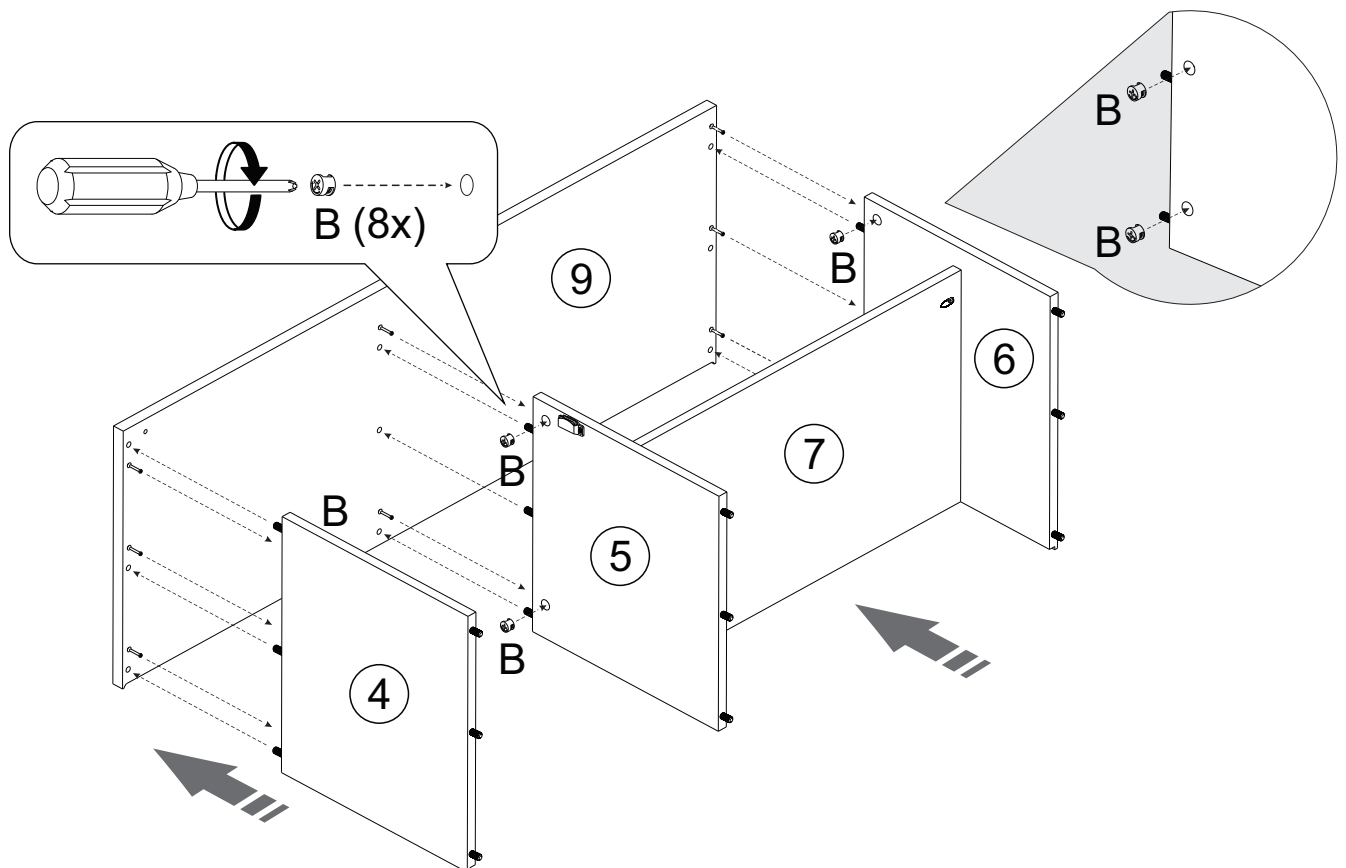
Step 4



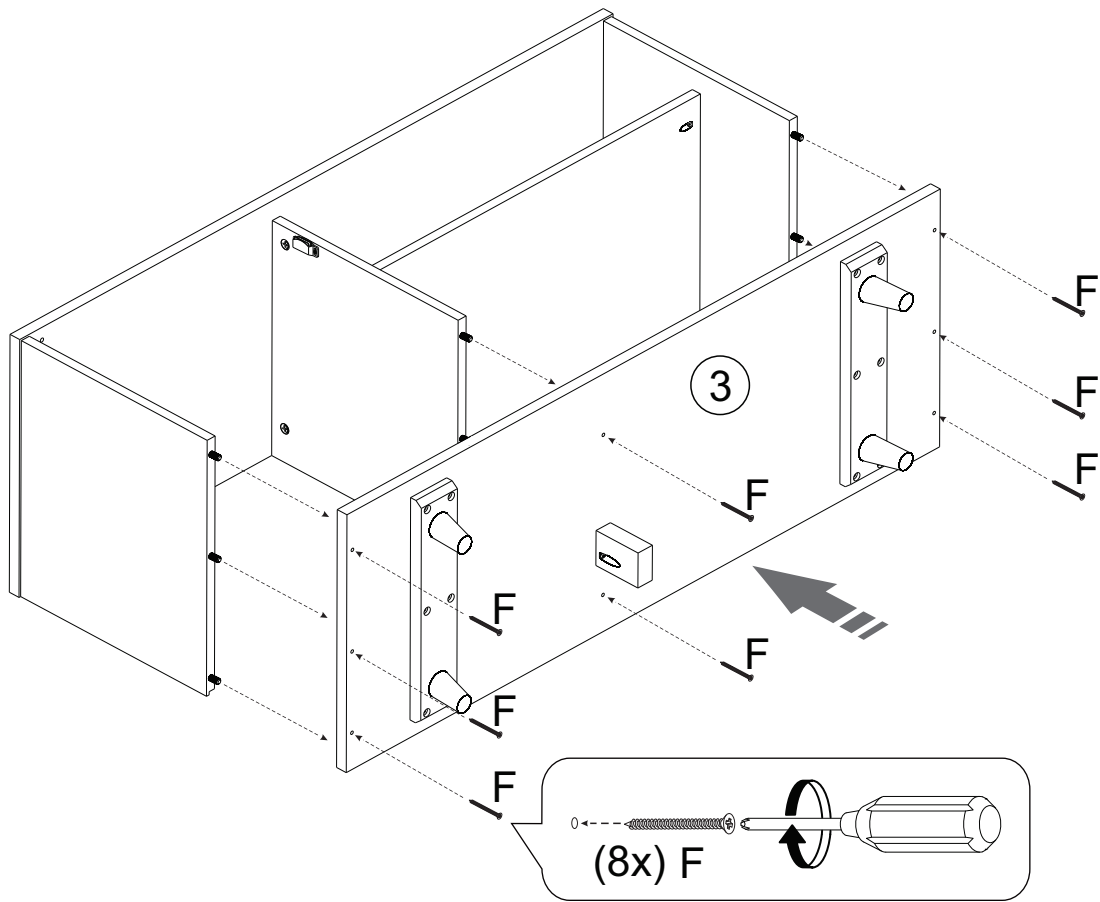
Step 5



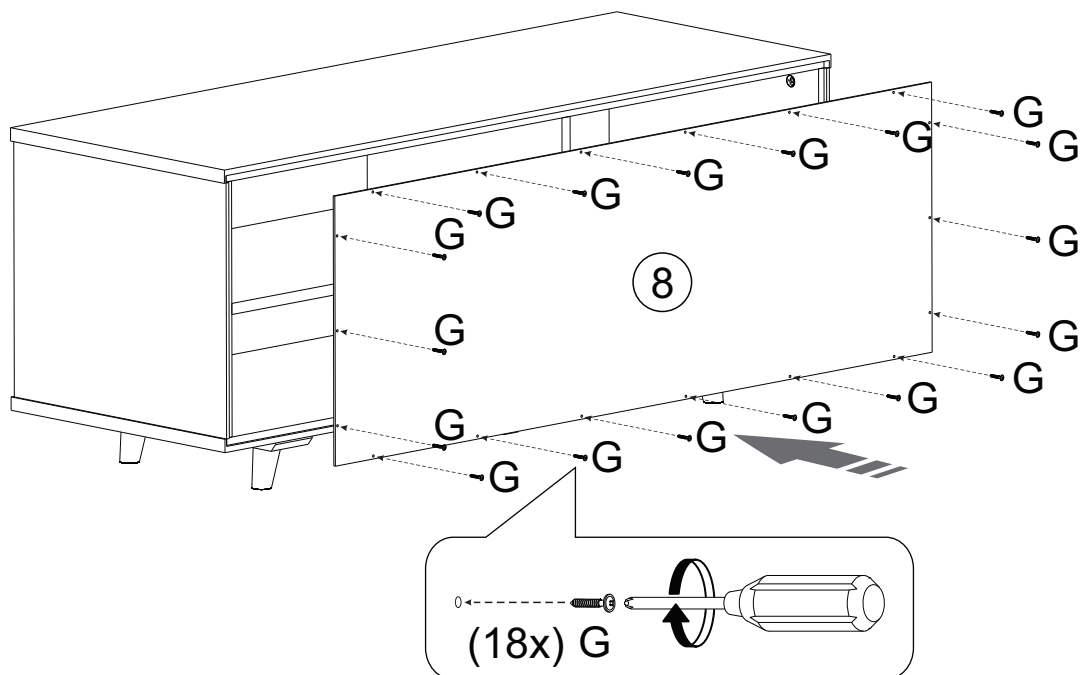
Step 6



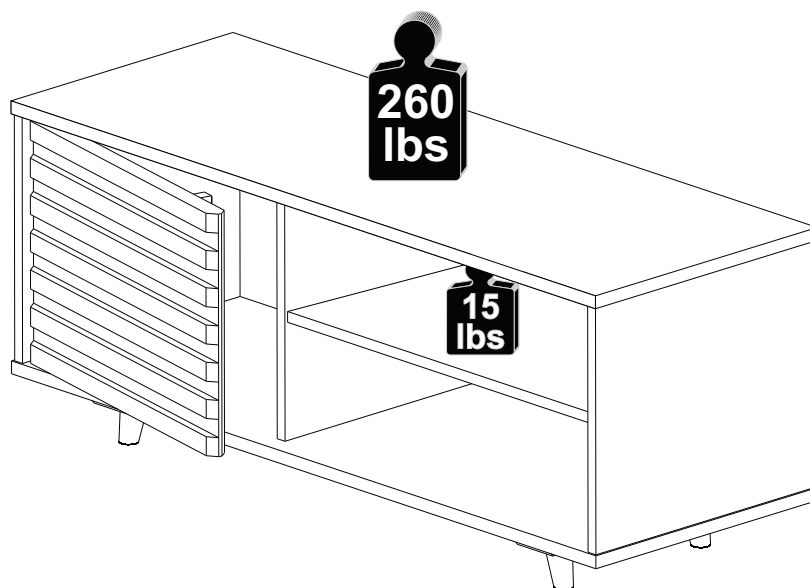
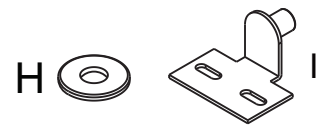
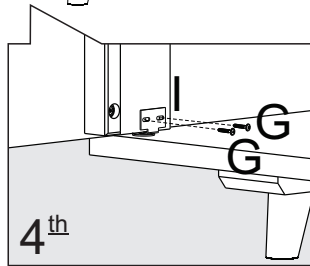
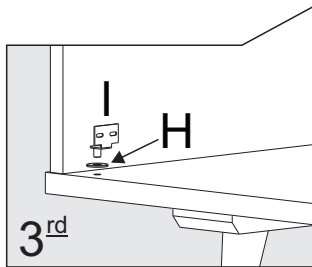
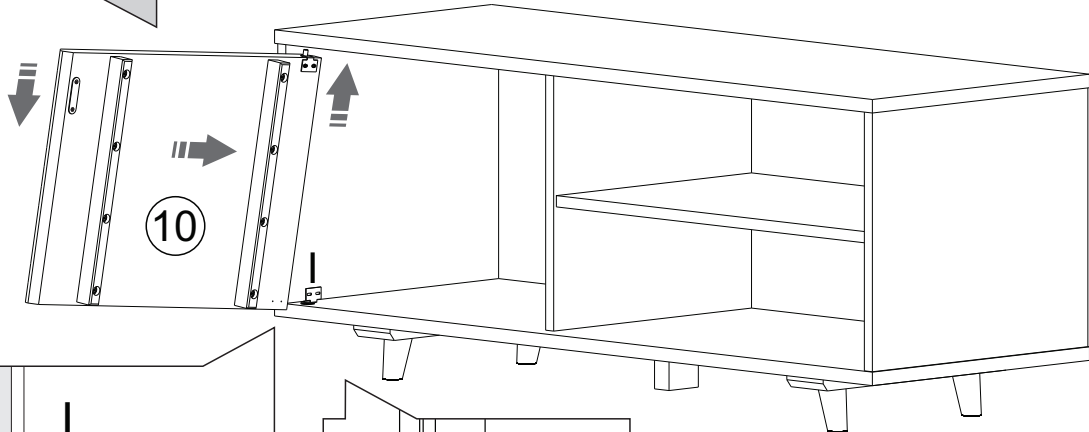
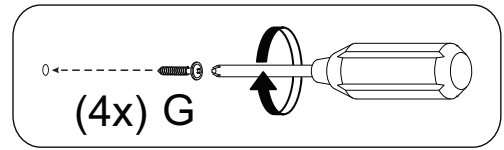
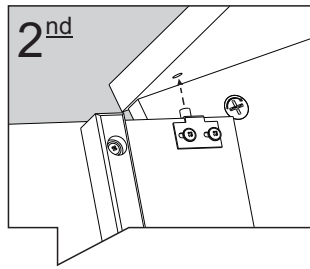
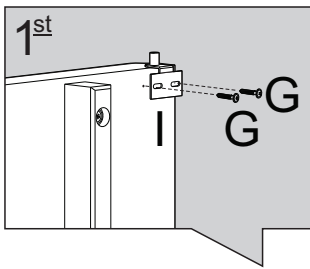
Step 7



Step 8



Step 9



Final Assembly.