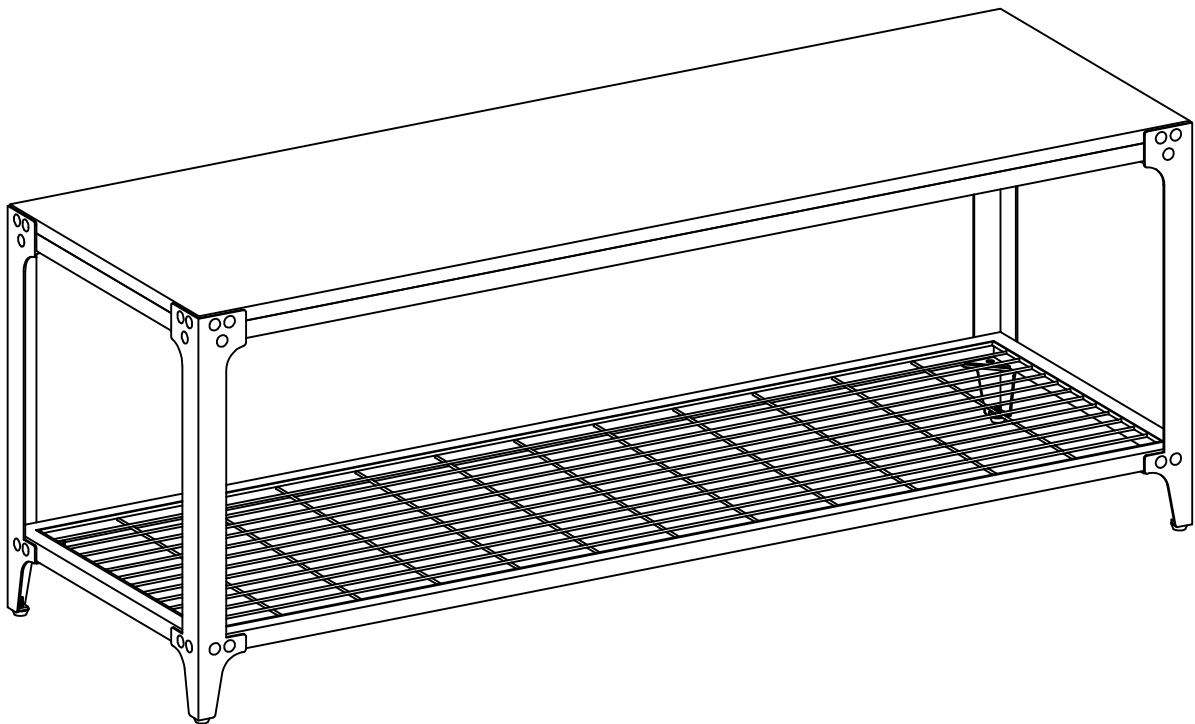


Item # : B48AIEB

Assembly Instructions



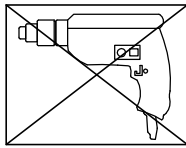
Walker Edison®

Please visit our website for the most current instructions, assembly tips, report damage,
or request parts. www.walkerediton.com

Revised 16/07/2019(L)

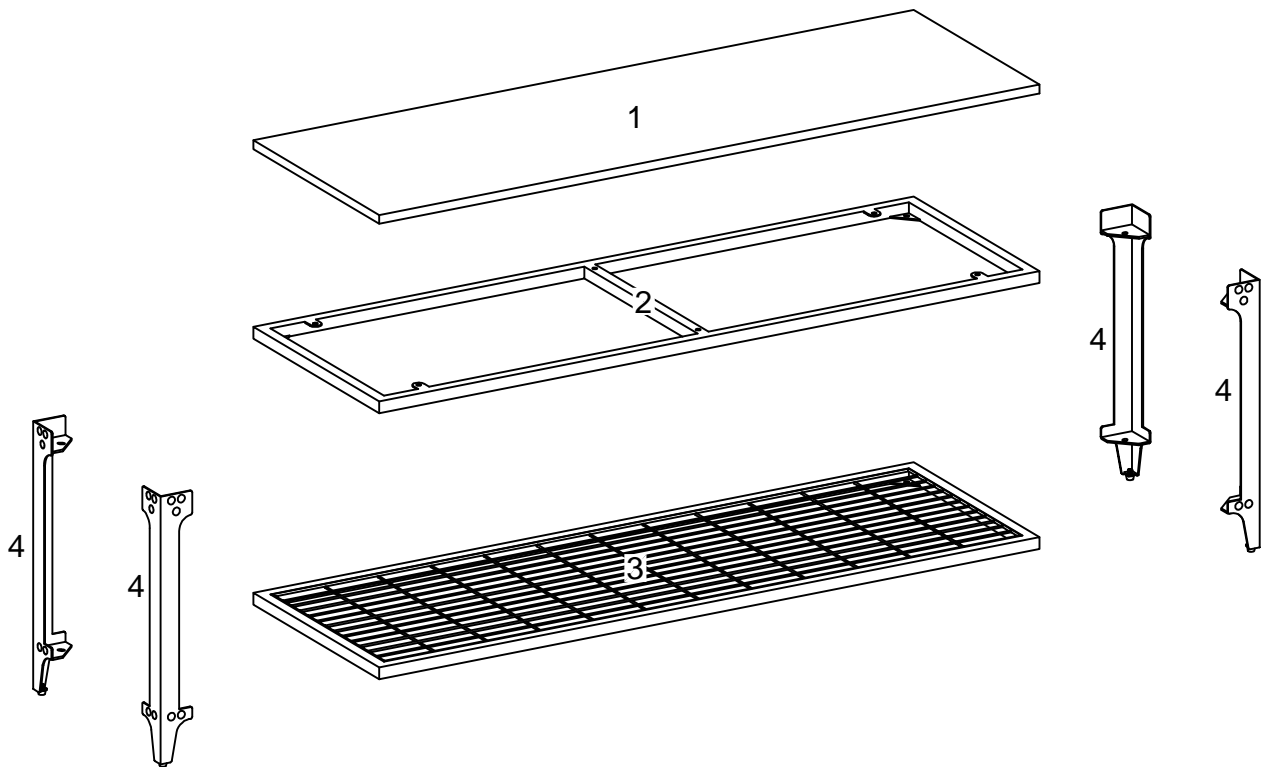
General Assembly Guidelines

- I. Ensure that all parts and hardware are available before beginning assembly.
- II. Follow each step carefully to ensure the proper assembly of this product.
- III. Two people are recommended for ease in the assembly of this product.
- IV. The main type of hardware used to assemble this product are: bolts and screws.
- V. Power tools should not be used to assemble this product.


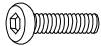



- VI. Drill may be needed for securing product to wall.

Parts List

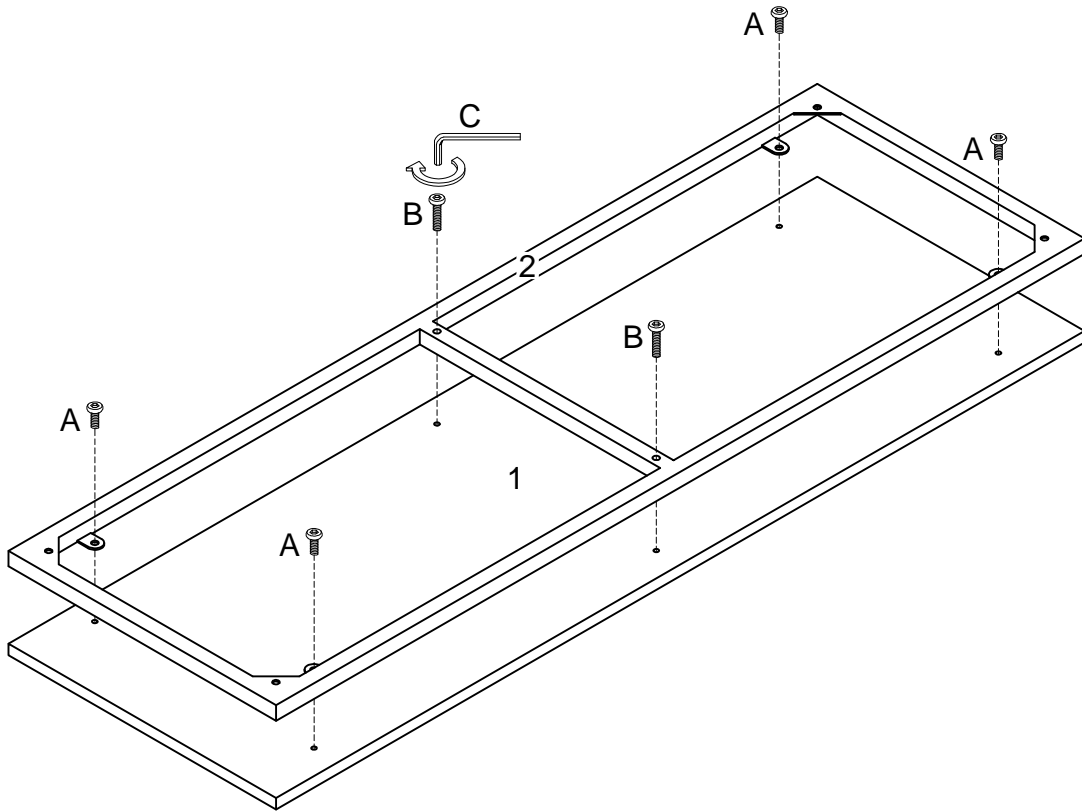


Hardware List

A		Ø1/4x12mm	Bolt	12 pcs
B		Ø1/4x30mm	Bolt	2 pcs
C		M4	Hex Key	1 pc

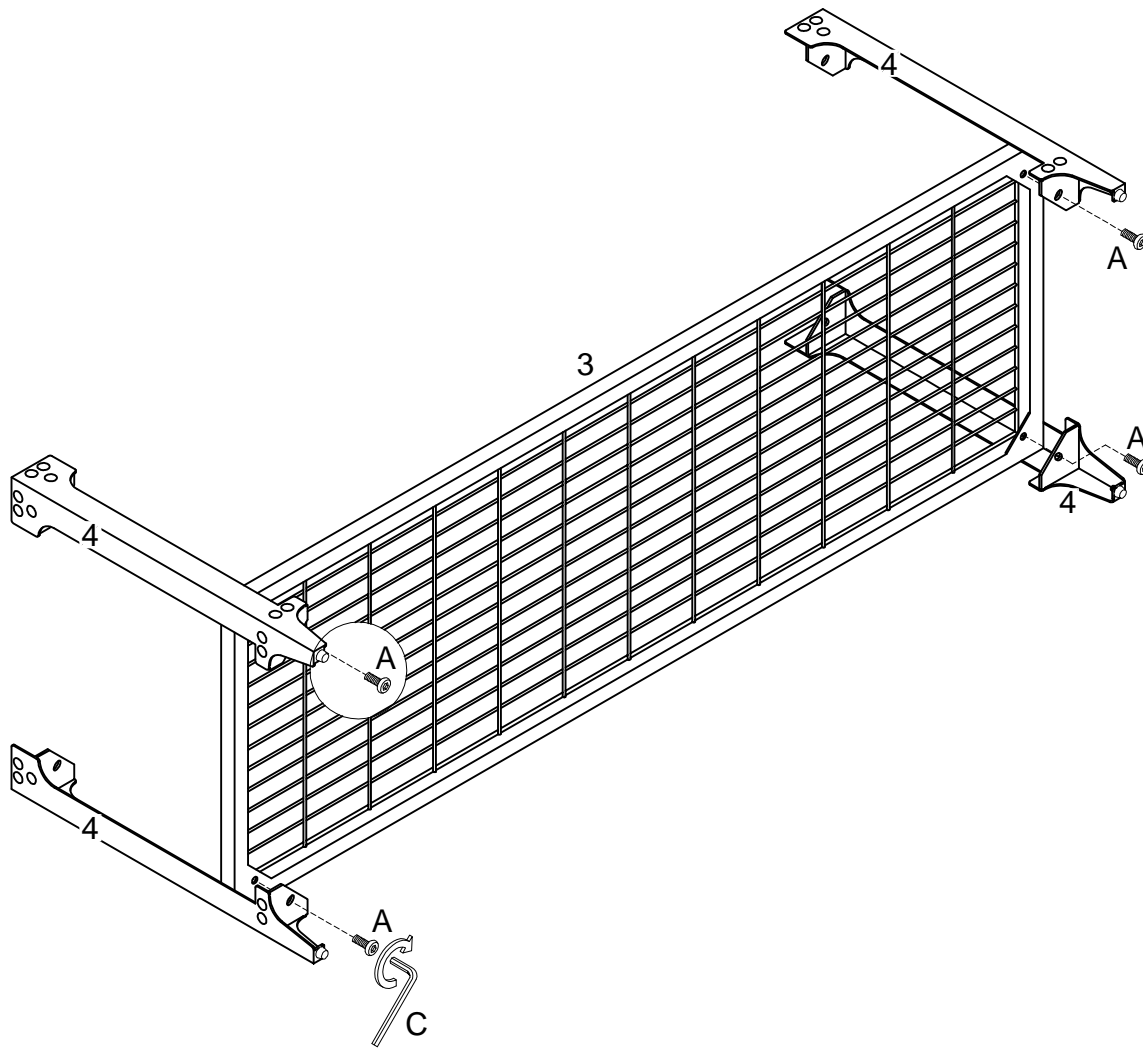
*The hardware quantities listed above are required for proper assembly.
Some extra hardware may also have been included.*

Step 1



Using bolts (A,B) secure part (2) into part (1) with hex key (C) as per diagram.

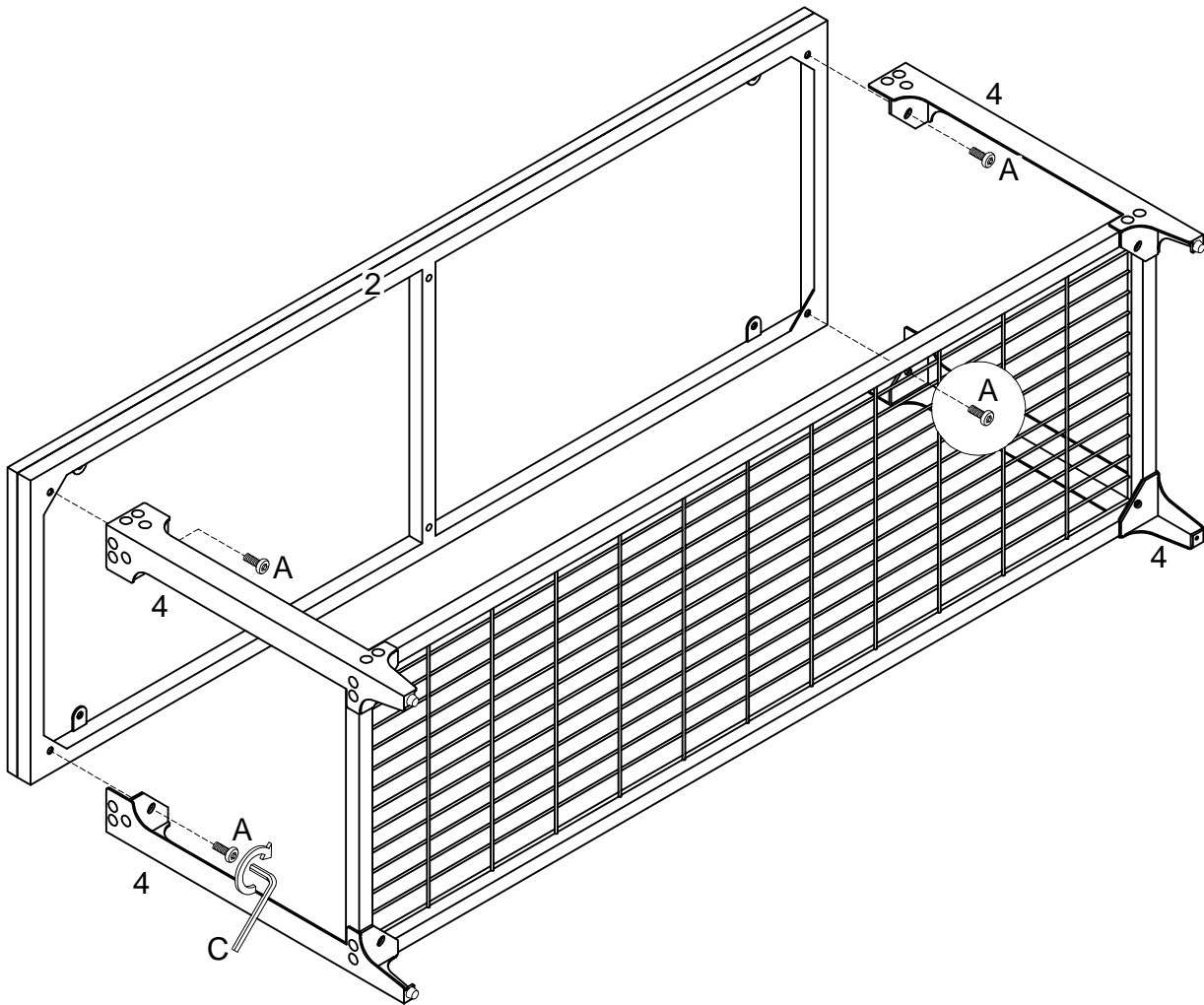
Step 2



Using bolt (A) secure part (4) into part (3) with hex key (C) as per diagram.

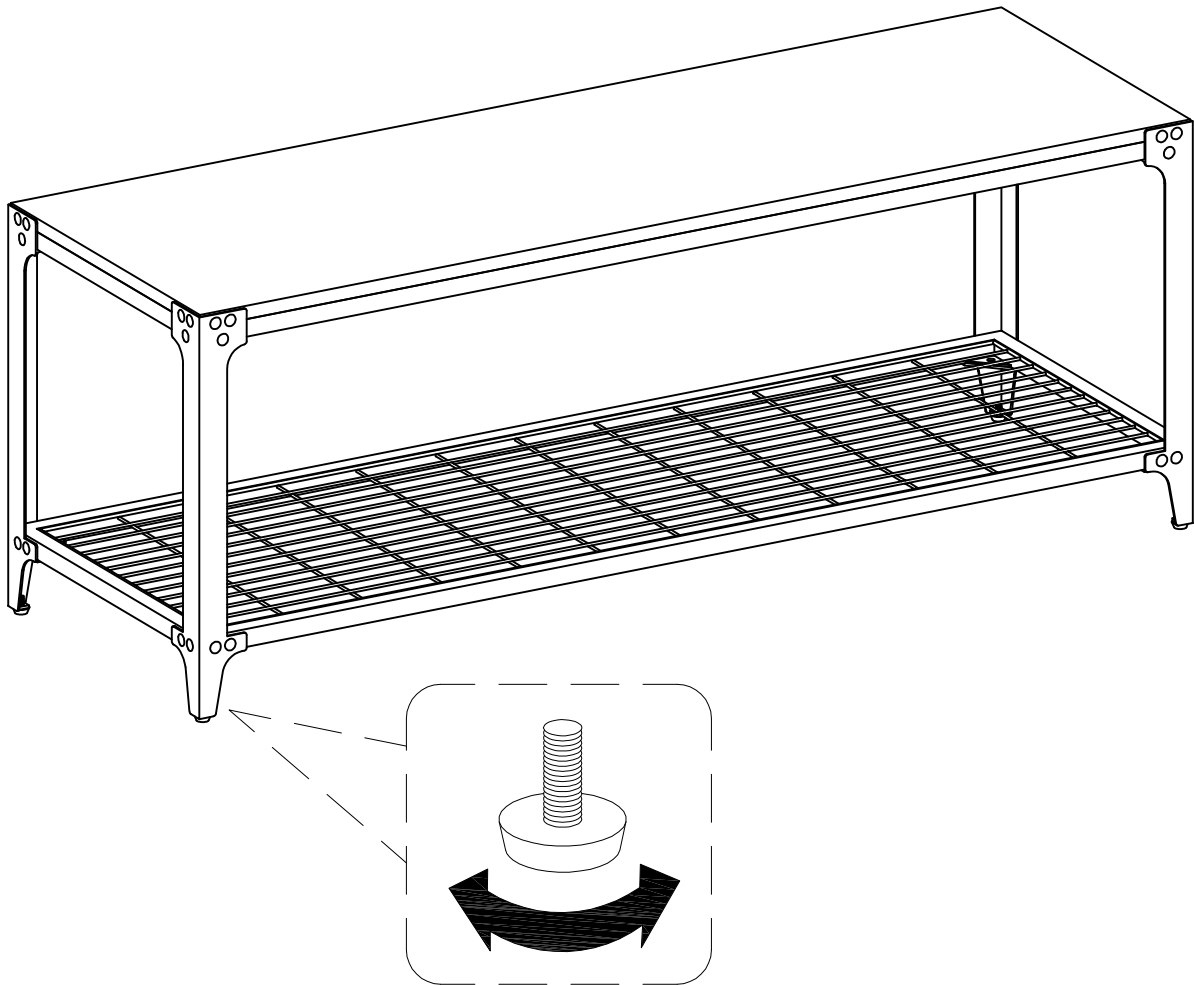
Note : Do not fully tighten all the bolts until you finish assembling all parts .Once assembled ,go back to fully tighten all bolts .This will make the assembly easier .

Step 3



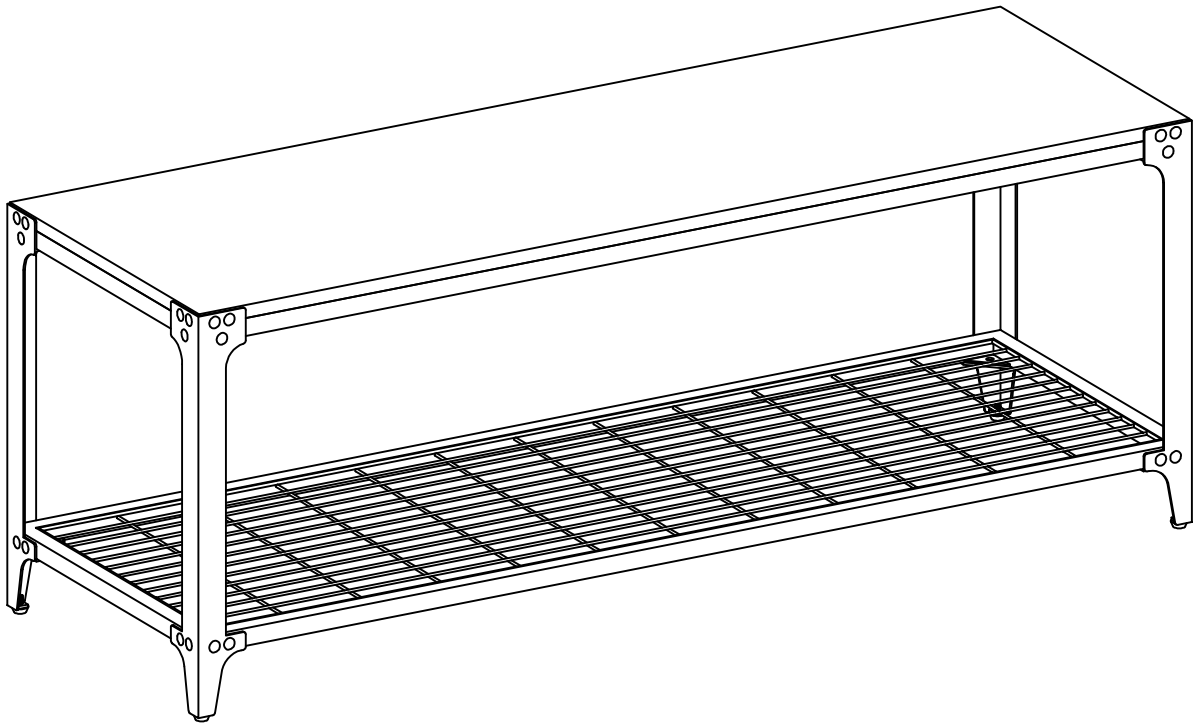
Using bolt (A) secure part (4) into part (2) with hex key (C) as per diagram. Then fully tighten all the bolts.

Step 4



Position the assembled unit at the desired location .If necessary, adjust the floor levelers at the bottom of the legs (4) to the level the unit .

Step 5



Final Assembly