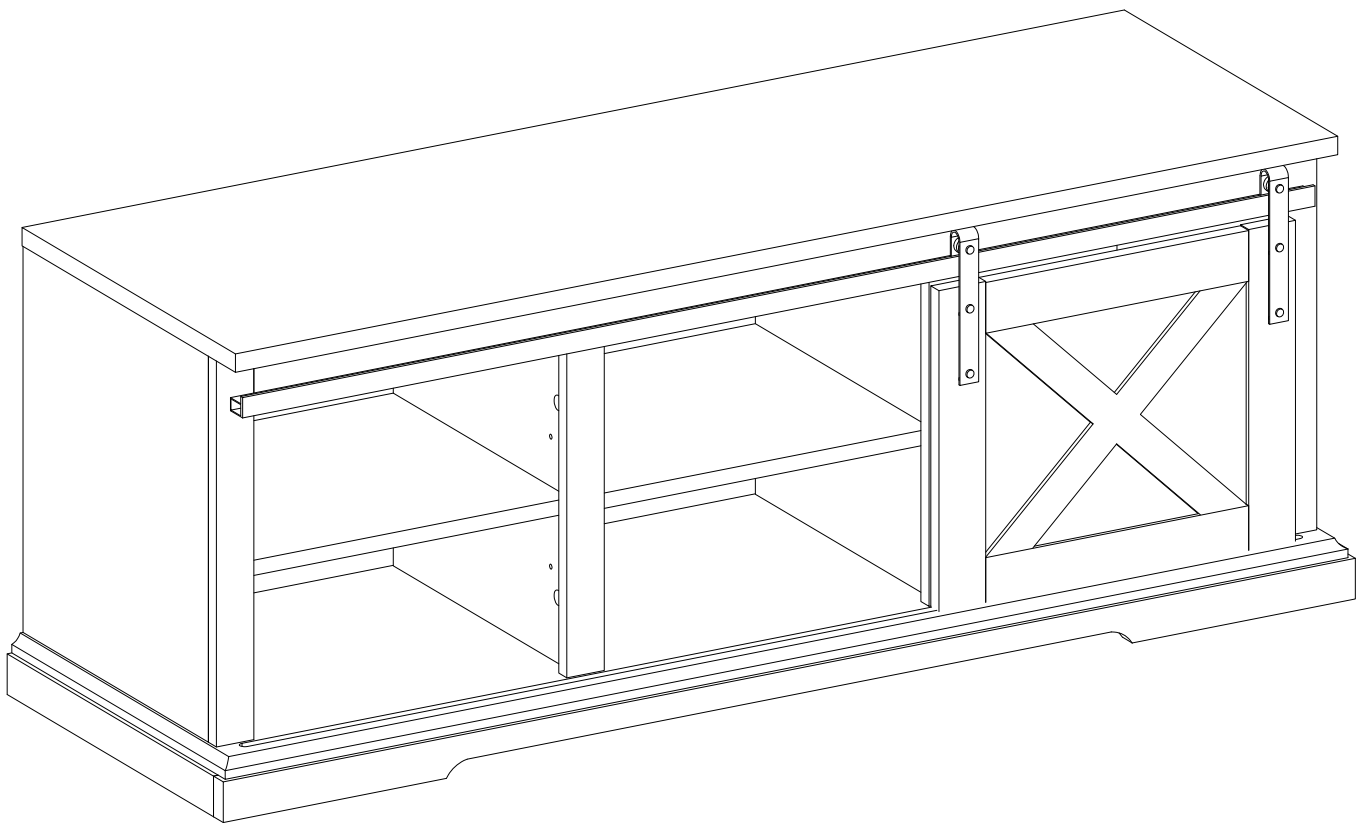


# Item # : B48SXDEB

## Assembly Instructions



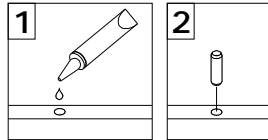
Walker Edison®

Please visit our website for the most current instructions, assembly tips, report damage, or request parts. [www.walkeredison.com](http://www.walkeredison.com)

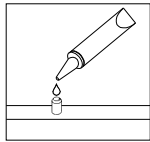
Revised 09/10/2019(C)

# General Assembly Guidelines

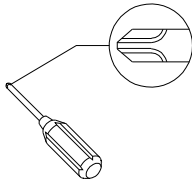
- I. Ensure that all parts and hardware are available before beginning assembly.
- II. Follow each step carefully to ensure the proper assembly of this product.
- III. Two people are recommended for ease in the assembly of this product.
- IV. The three main types of hardware used to assemble this product are: wood dowels, screws and bolts.
- V. The provided glue is to secure wood dowels in place. When first inserting dowels, locate the appropriate hole for the dowel, place a small amount of glue in the hole and insert the dowel. Wipe away excess glue immediately.



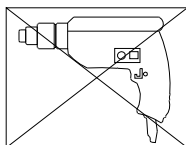
In future assembly steps when dowels are necessary to attach assembly parts together, place a small amount of glue on the end of the dowel before attaching parts together. Wipe away excess glue immediately.



- VI. A Phillips head screwdriver is required for the assembly of this product.

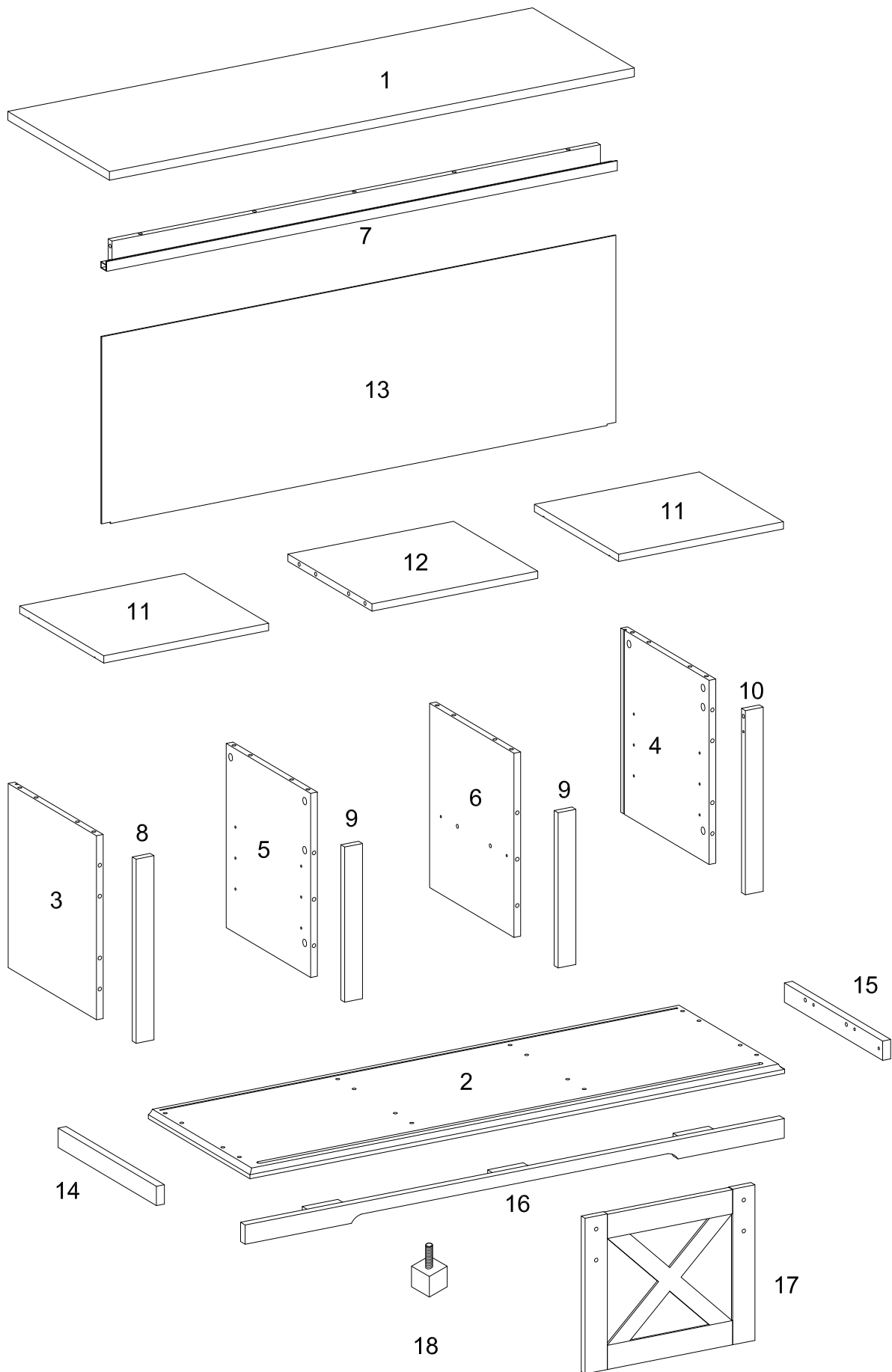


- VII. Power tools should not be used to assemble this product.




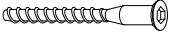

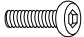


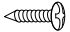
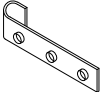
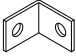

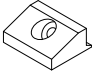


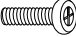



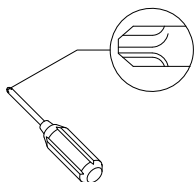
- VIII. Drill may be needed for securing product to wall.

# Parts List



# Hardware List

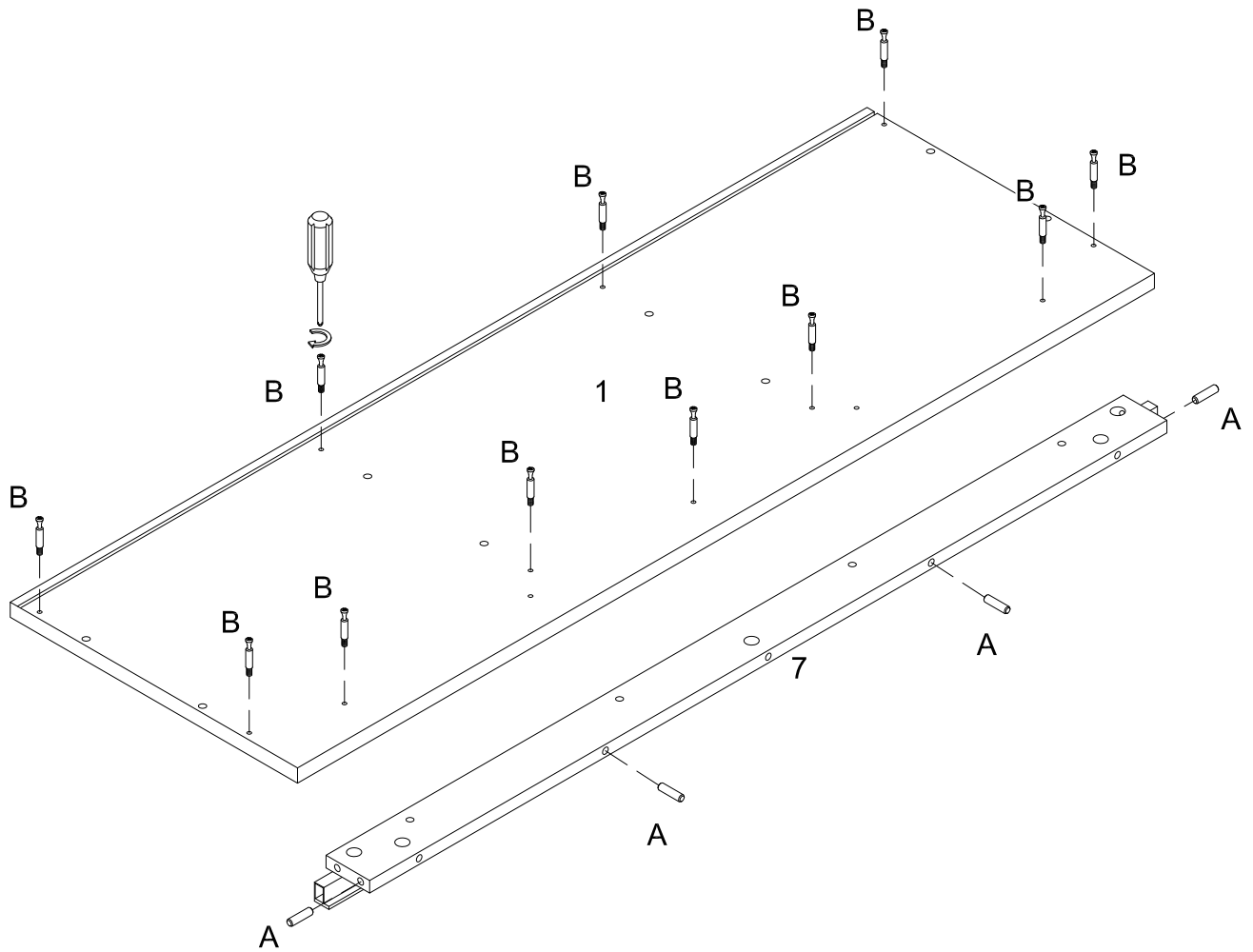
A		Ø8x30mm	Wooden dowel	30 pcs
B		Ø6x32mm	Cam bolt	25 pcs
C		Ø15x11mm	Cam lock	25 pcs
D		Ø6x50	Screw	8 pcs
E		M4	Hex Key	1 pc
F		Ø6x12mm	Bolt	18 pcs
G			Shelf support pin	8 pcs
H			Glue tube	1 pc
J		Ø4x12mm	Screw	4 pcs
K			Pulley	2 pcs
L			Connecting iron sheet	2 pcs
M			Connector	7 pcs
N			Plastic wedge	6 pcs
P		Ø30mm	Sticker	25 pcs
Q			Plate	2 pcs
R		M6x12mm	Bolt	4 pcs
S		Ø3x17mm	Screw	6 pcs



Philips head screwdriver required for assembly  
(not included)

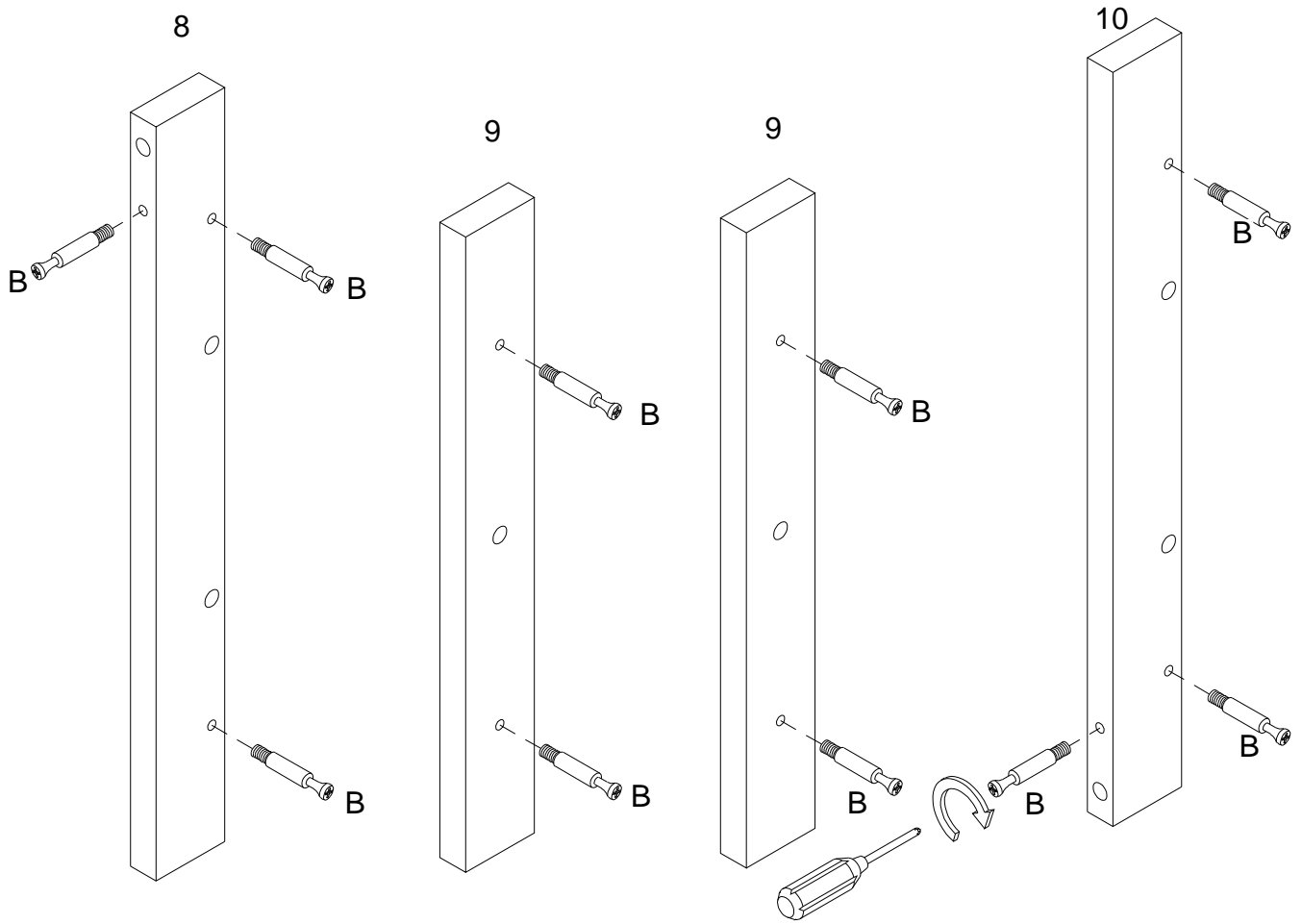
*The hardware quantities listed above are required for proper assembly.  
Some extra hardware may also have been included.*

# Step 1



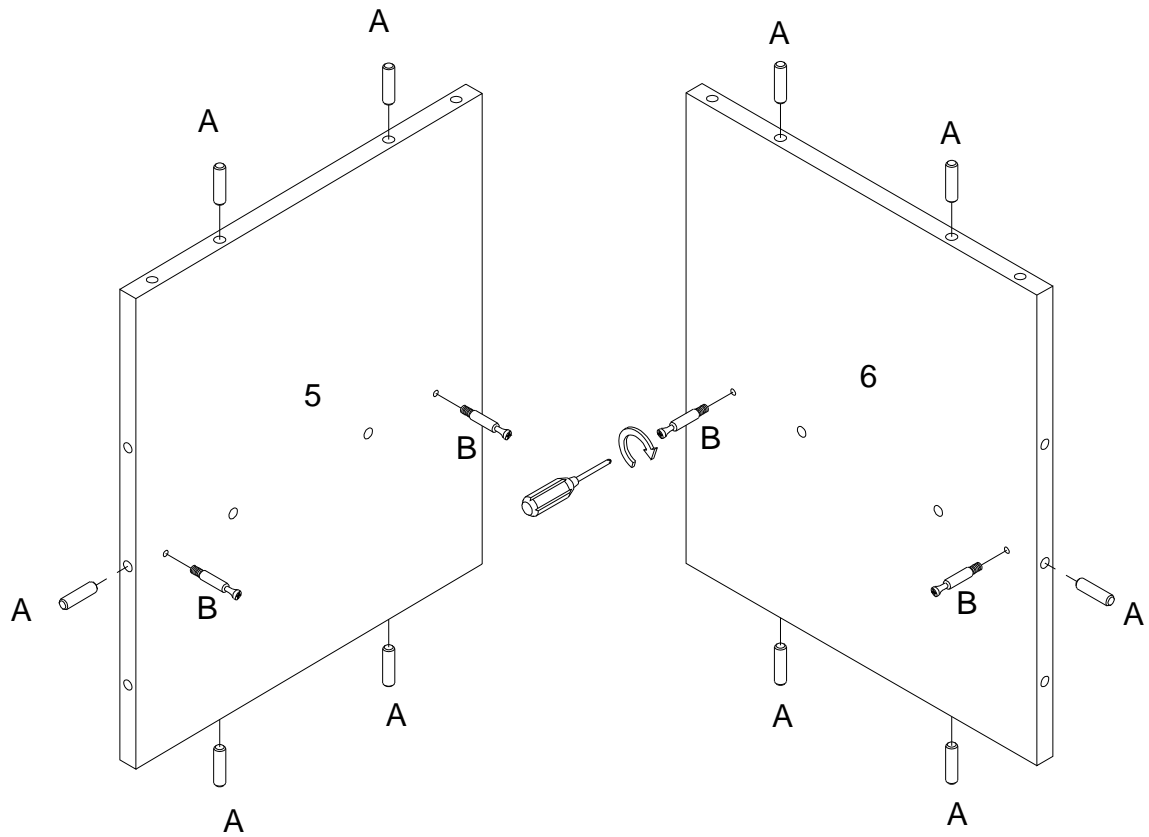
Insert wooden dowel (A) into part (7), then secure cam bolt (B) into part (1) with Philips head screwdriver as per diagram.

# Step 2



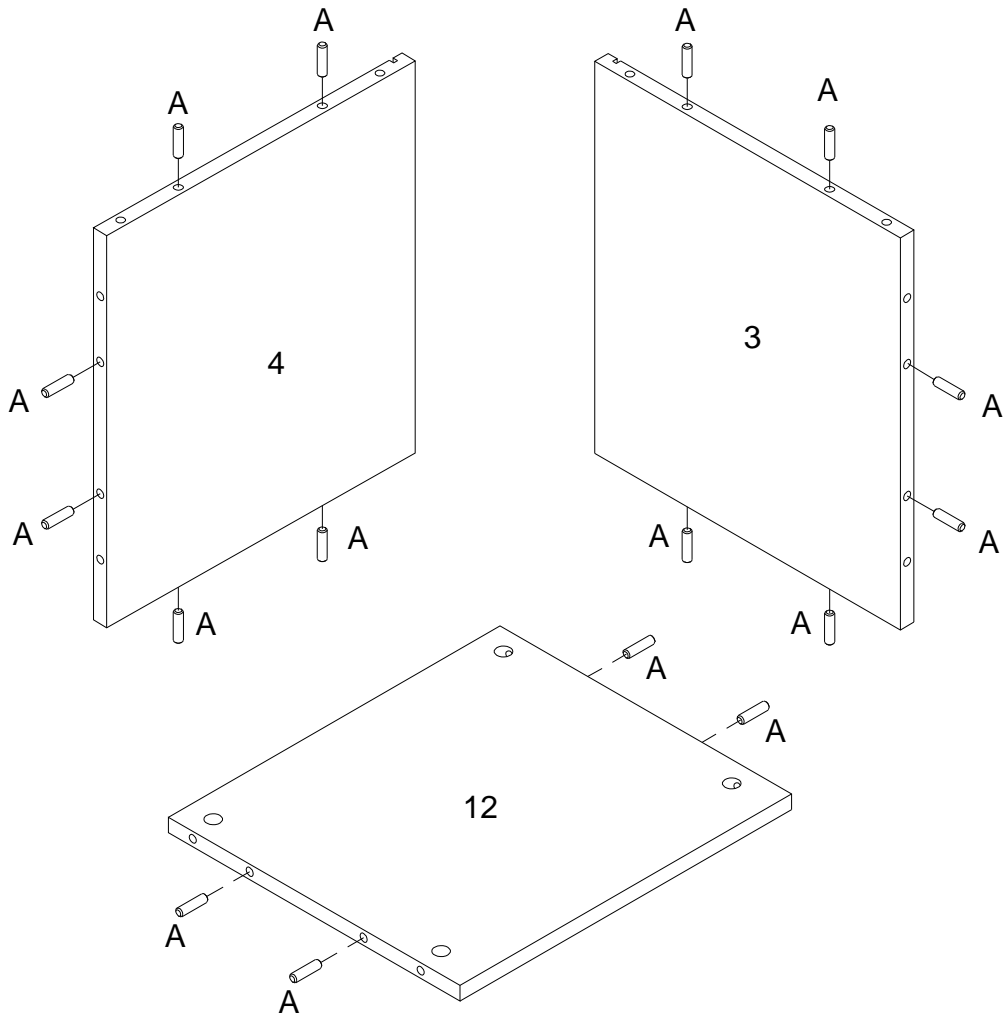
Secure cam bolt (B) into parts (8,9,10) with Philips head screwdriver as per diagram.

# Step 3



Insert wooden dowel (A) into parts (5,6), then secure cam bolt (B) into parts (5,6) with Philips head screwdriver as per diagram.

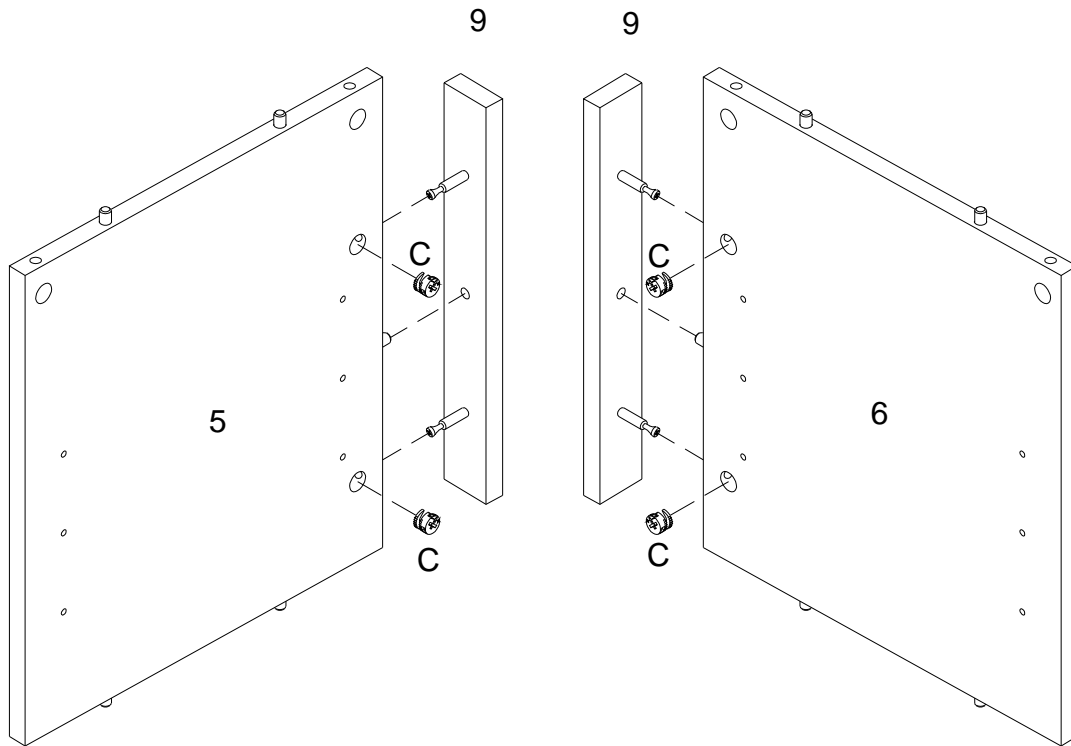
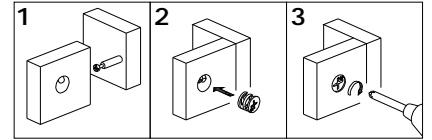
# Step 4



Insert wooden dowel (A) into parts (3,4,12) as per diagram.

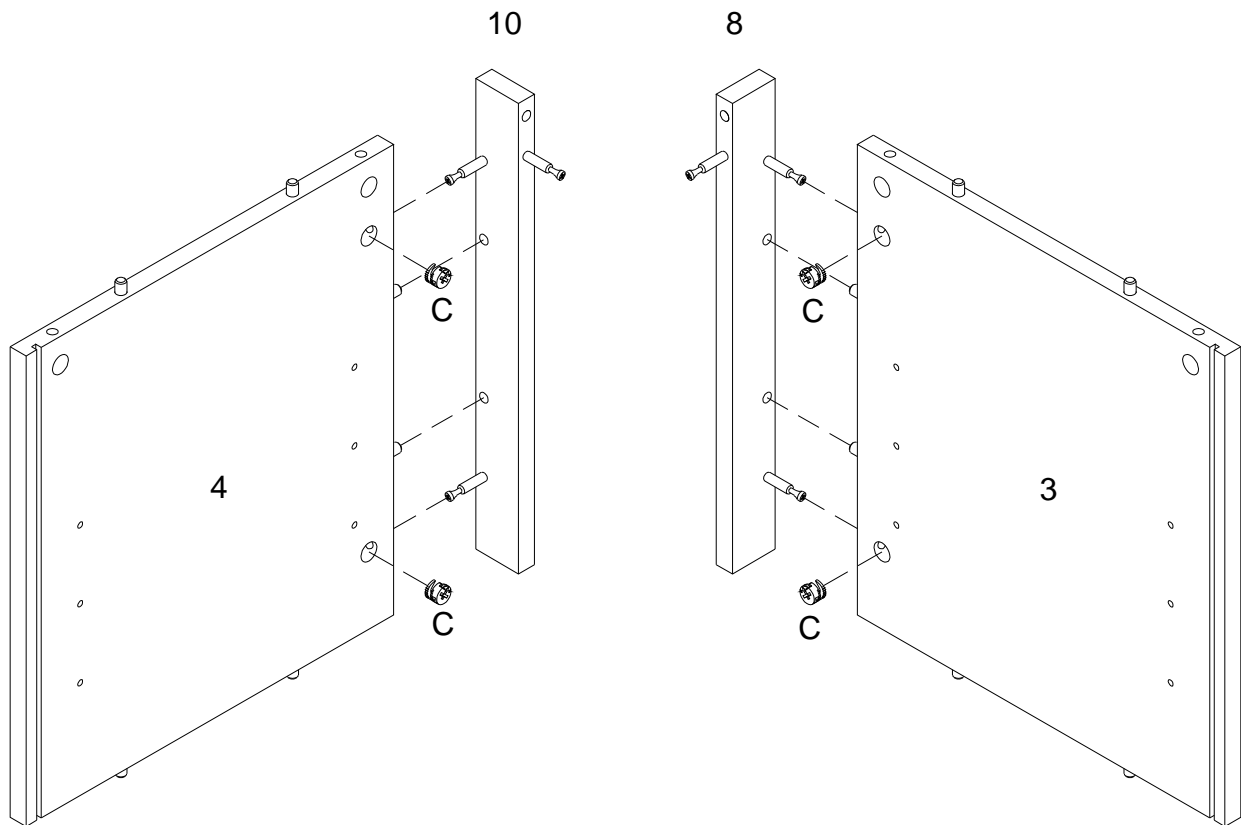
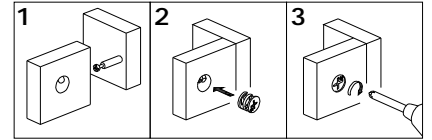


# Step 5



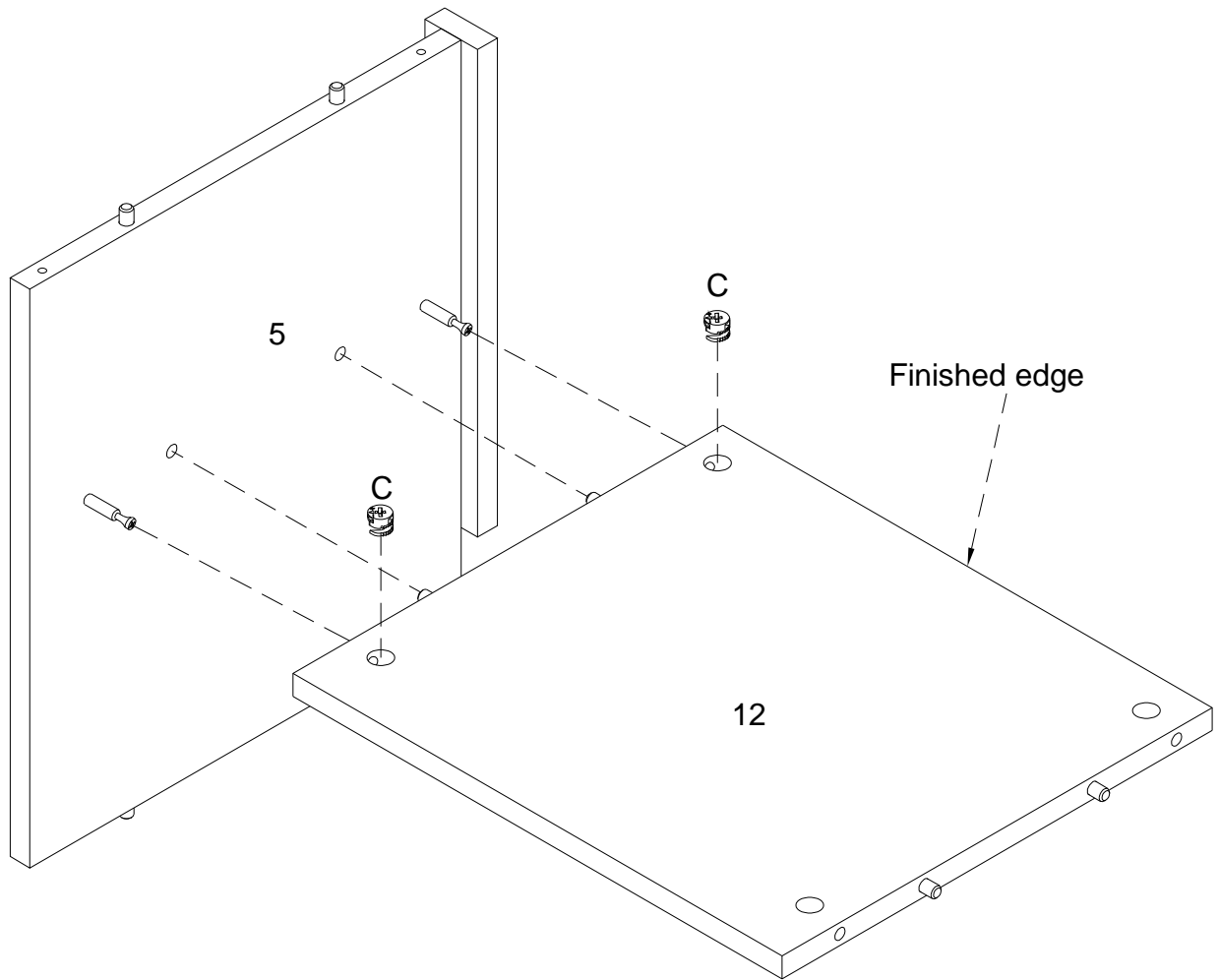
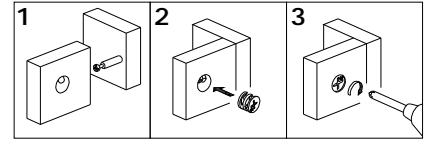
Using cam lock(C) secure part (9) into parts (5,6) with Philips head screwdriver as per diagram.

# Step 6



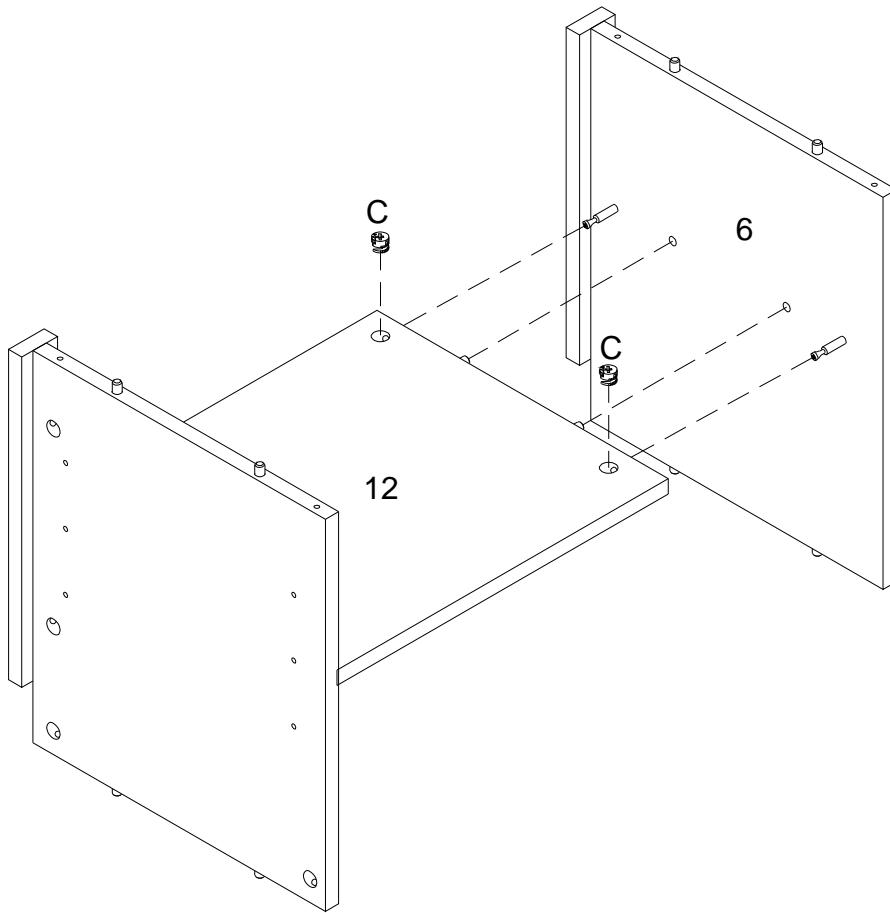
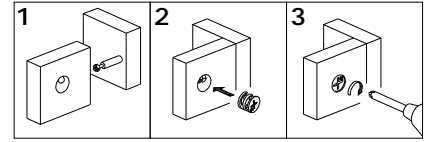
Using cam lock(C) secure part (10) into parts (4) ,part (8) into part (3) with Philips head screwdriver as per diagram.

# Step 7



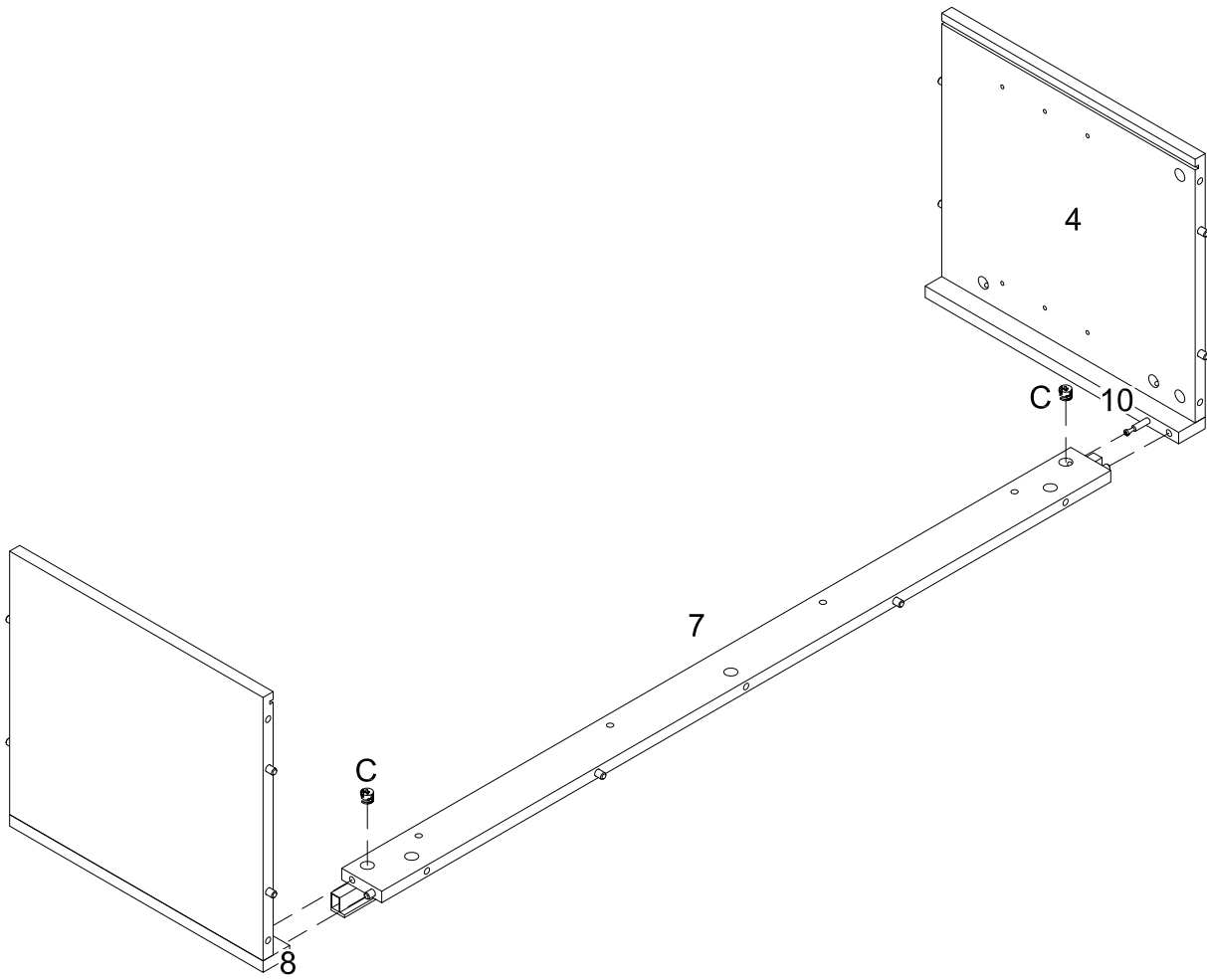
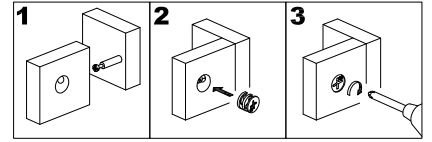
Using cam lock(C) secure part (5) into parts (12) with Philips head screwdriver as per diagram.

# Step 8



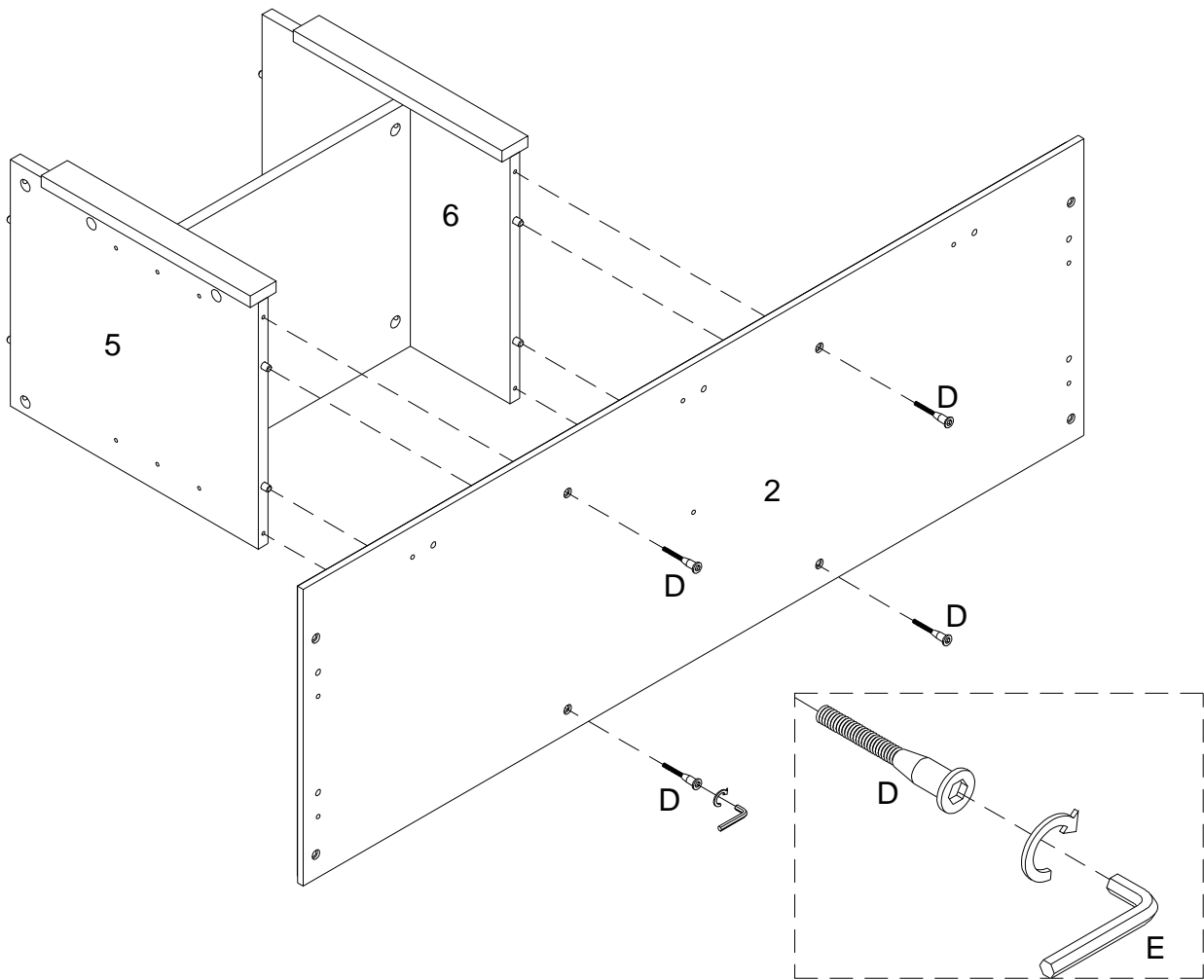
Using cam lock(C) secure part (6) into parts (12) with Philips head screwdriver as per diagram.

# Step 9



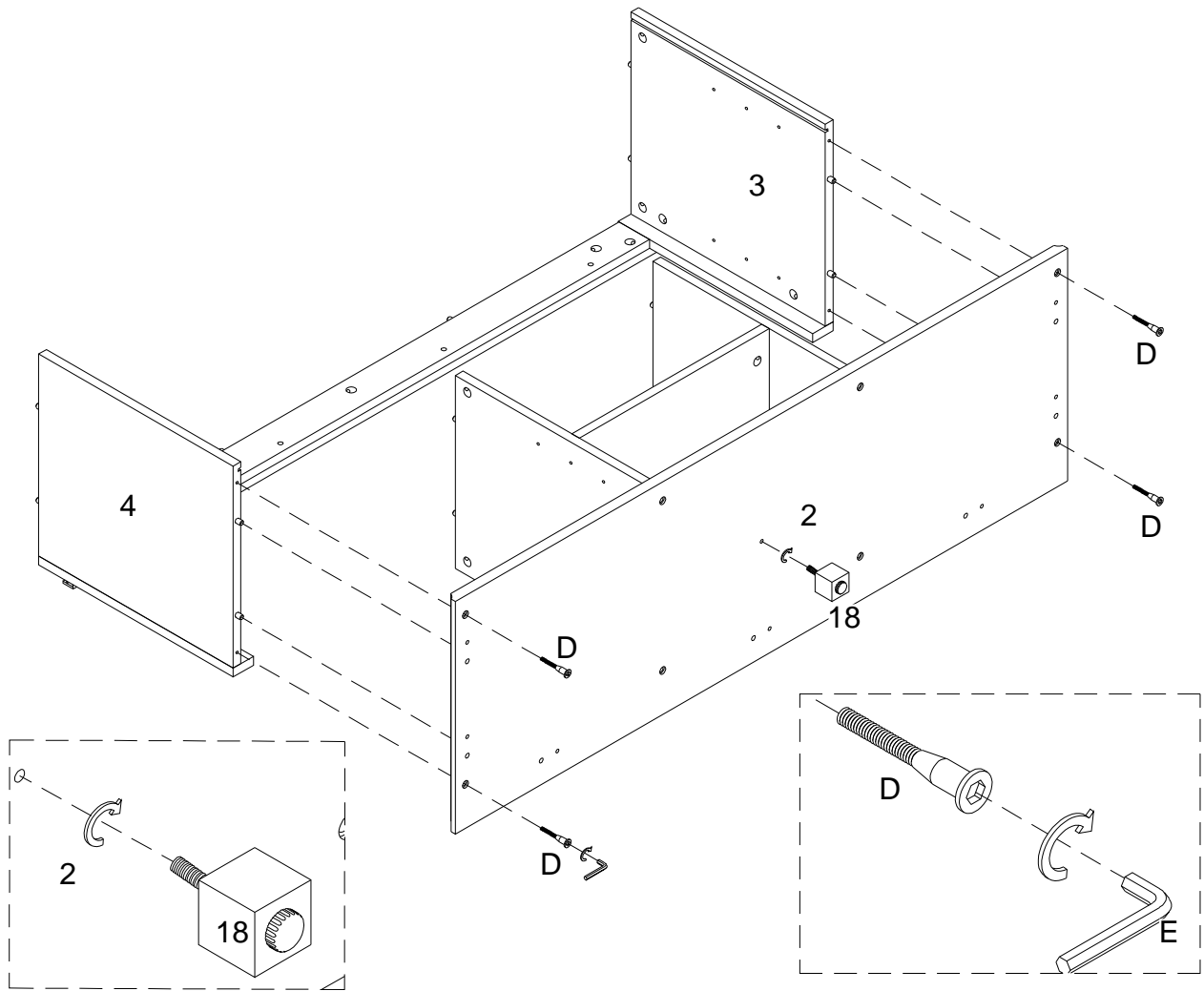
Using cam lock(C) attach parts (8,10) into part (7) with Philips head screwdriver as per diagram.

# Step 10



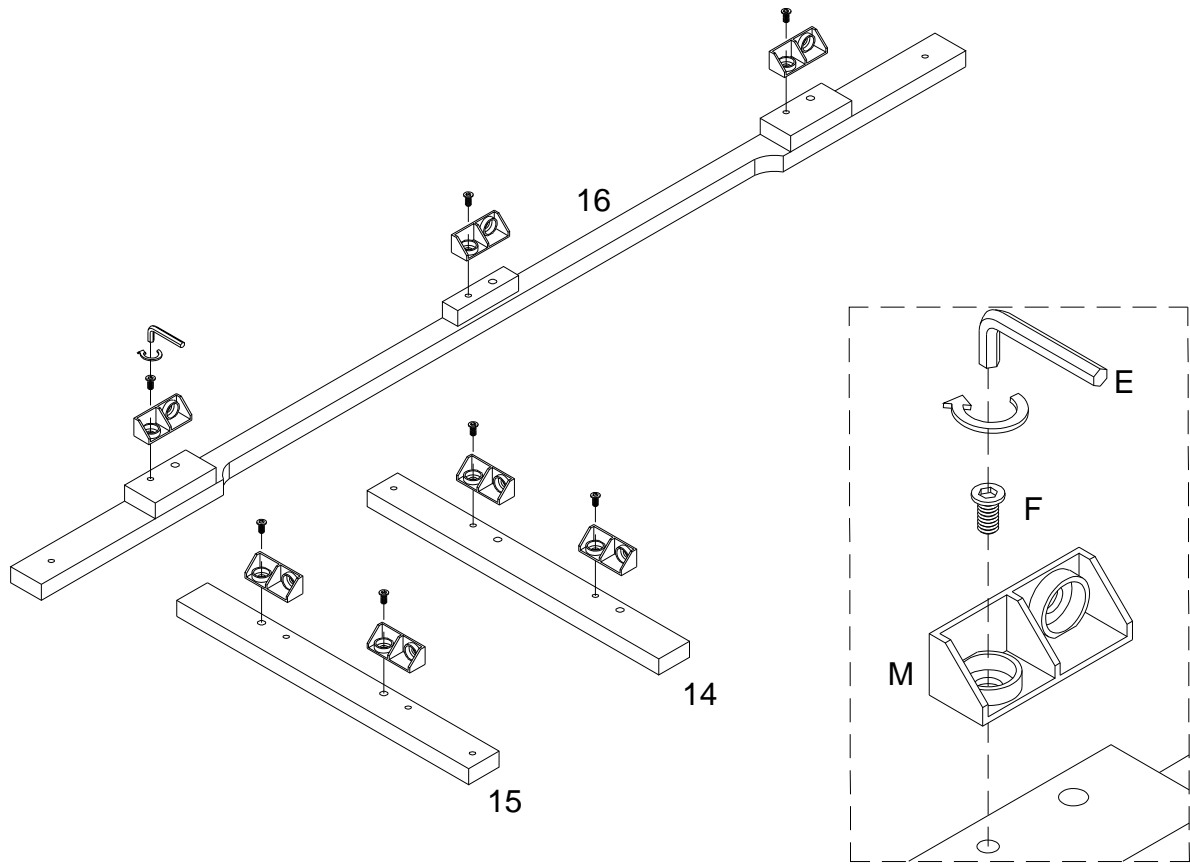
Using screw (D) attach part (2) into parts (5,6) with hex key (E) as per diagram.

# Step 11



Secure part (18) into part (2), then using screw (D) attach part (2) into parts (3,4) with hex key (E) as per diagram.

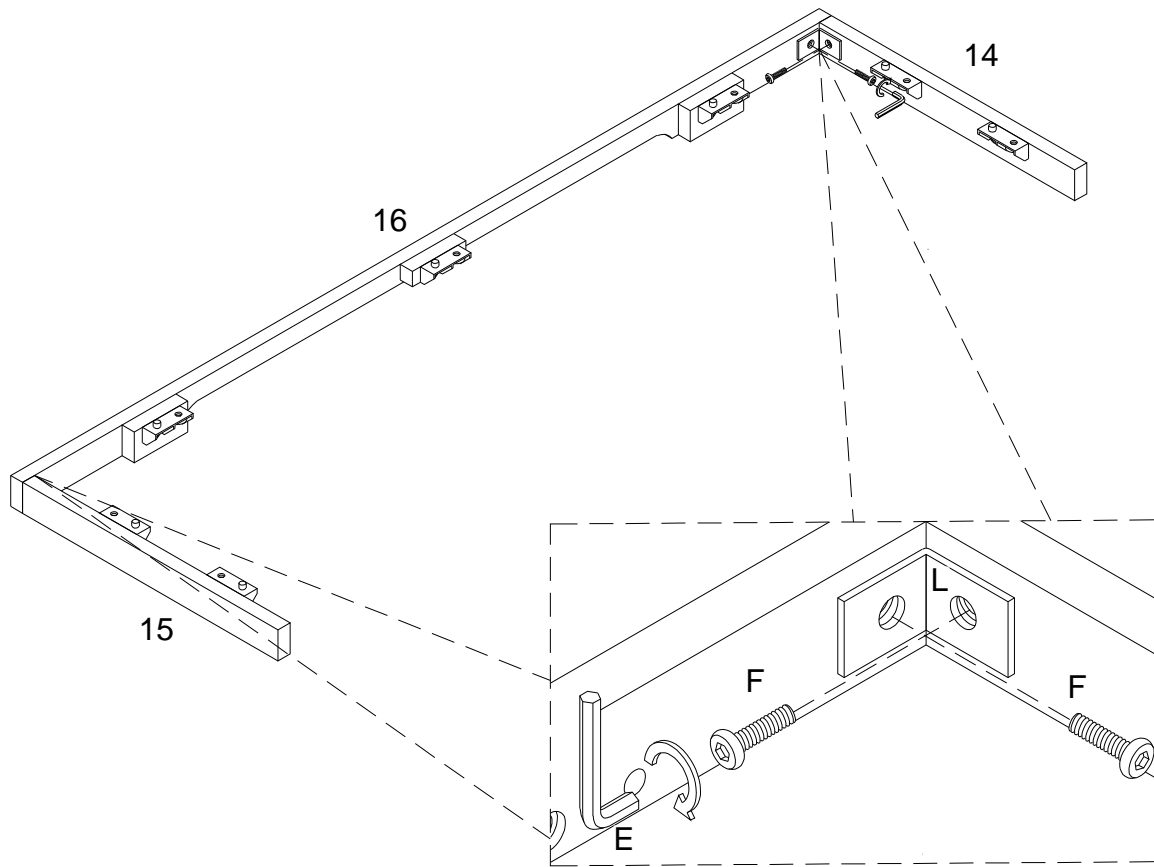
# Step 12



Using bolt (F) attach connector (M) to parts (14,15,16) with hex key (E) as per diagram.

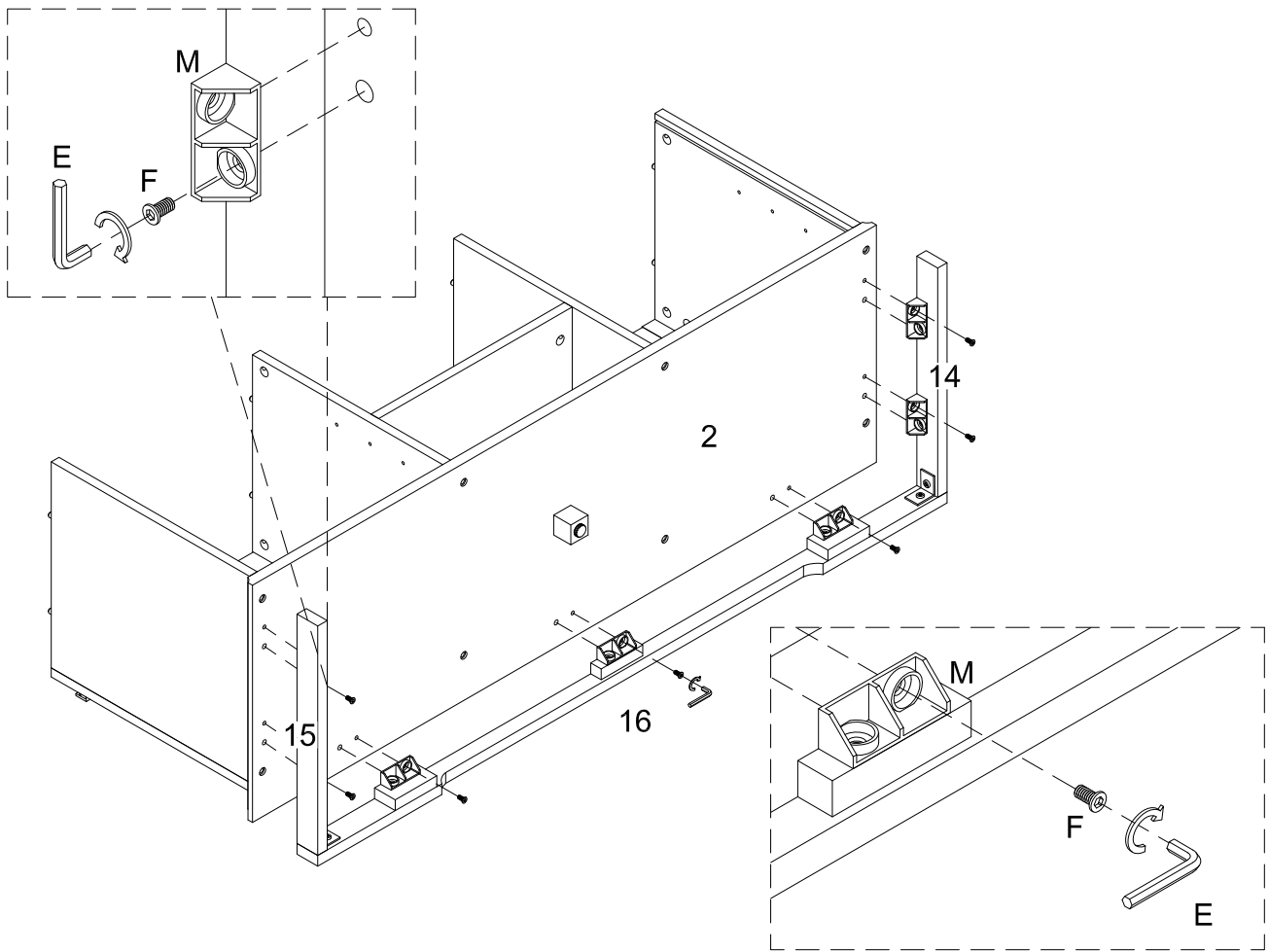


# Step 13



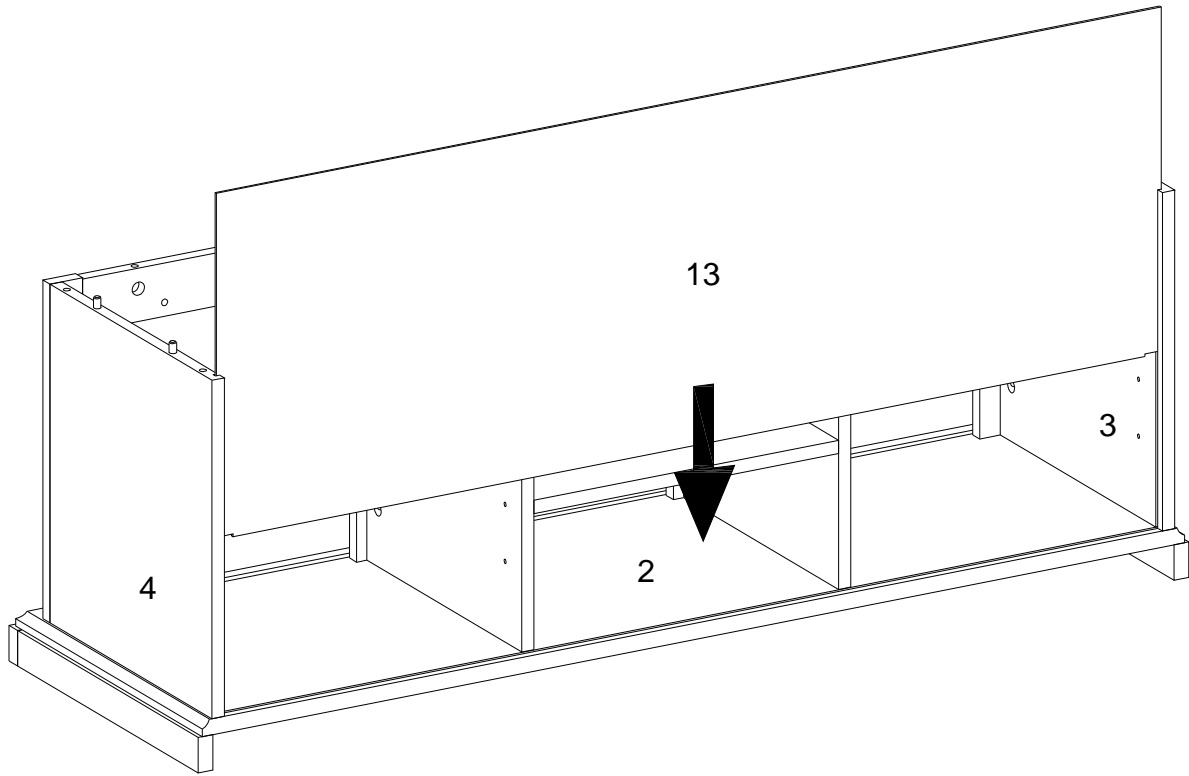
Using bolt (F) attach connector (L) to parts (14,15,16) with hex key (E) as per diagram.

# Step 14



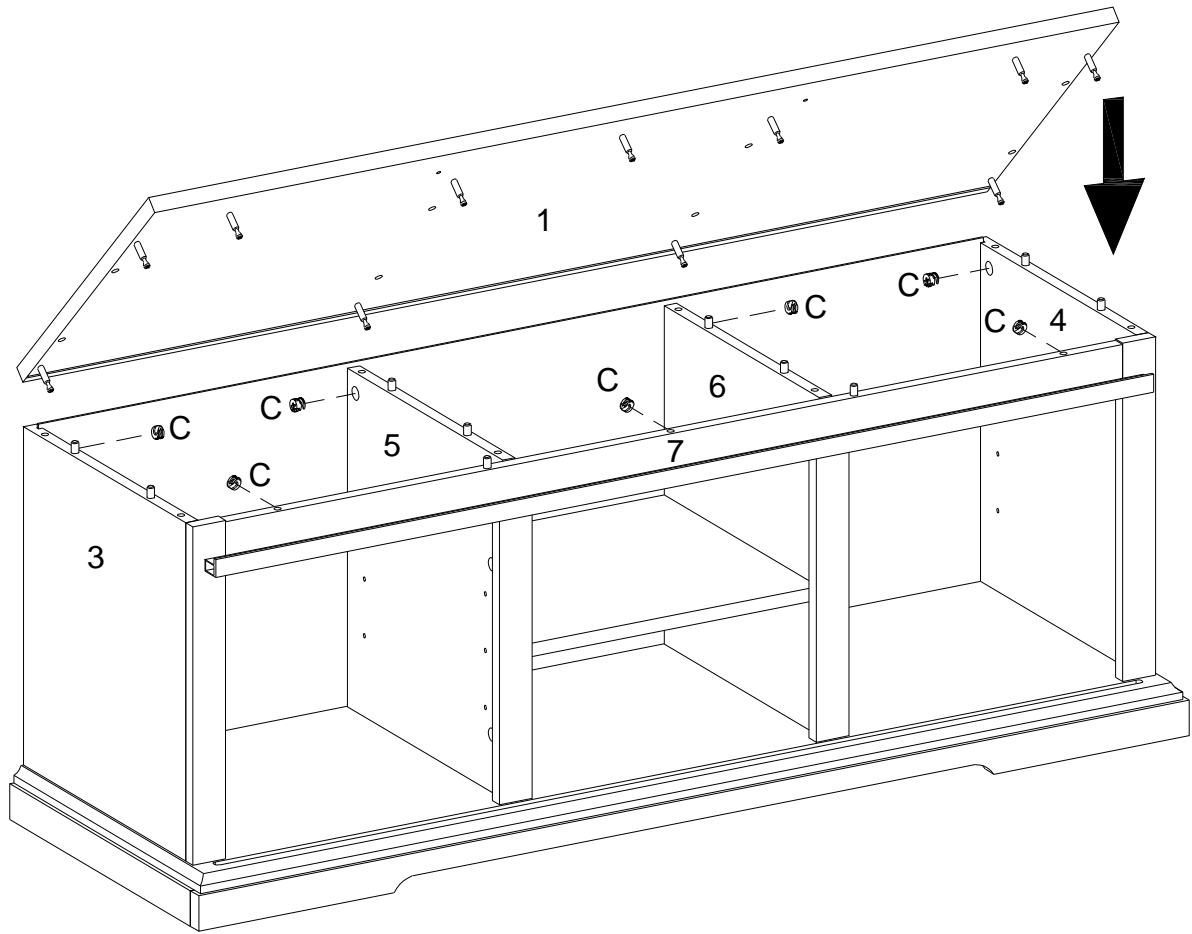
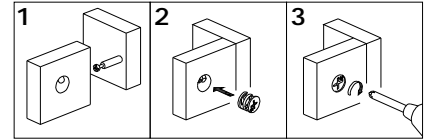
Using bolt (F) attach connector (M) to part (2) with hex key (E) as per diagram.

# Step 15



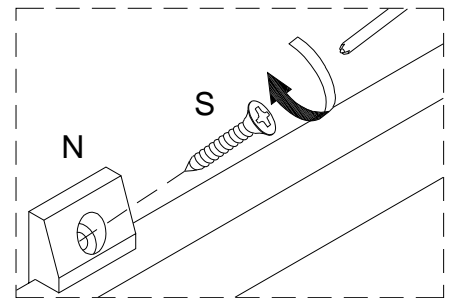
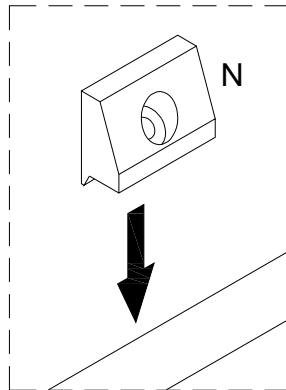
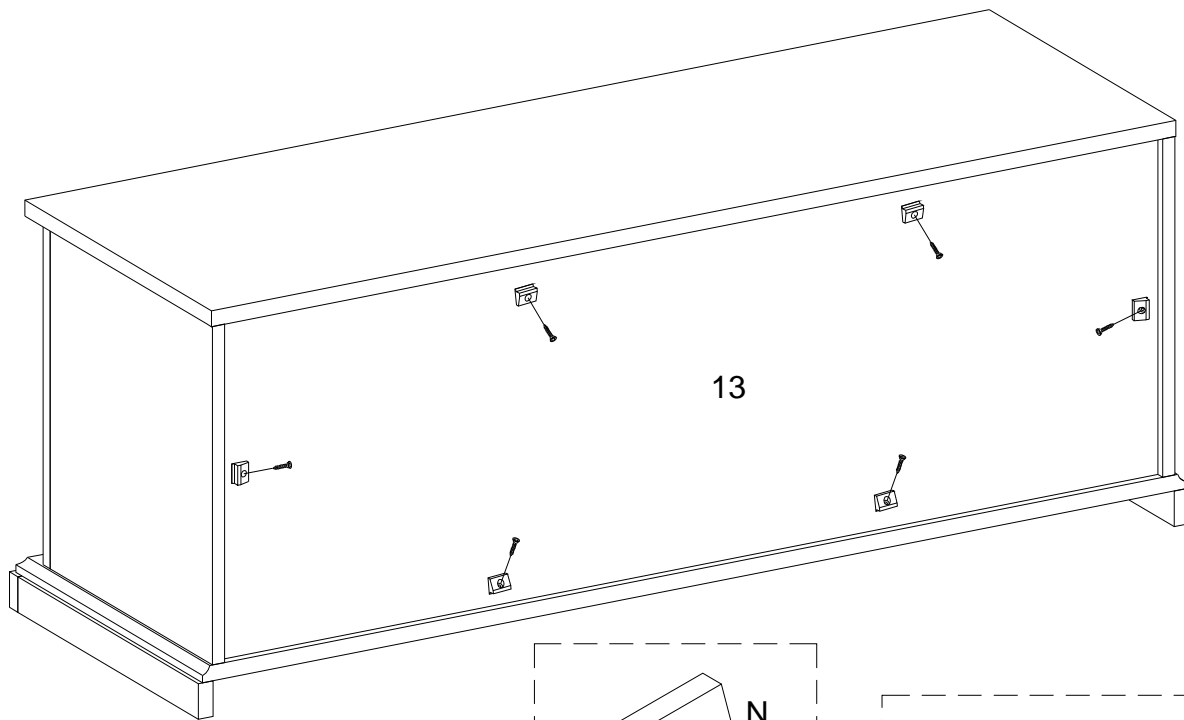
Put part (13) as per diagram.

# Step 16



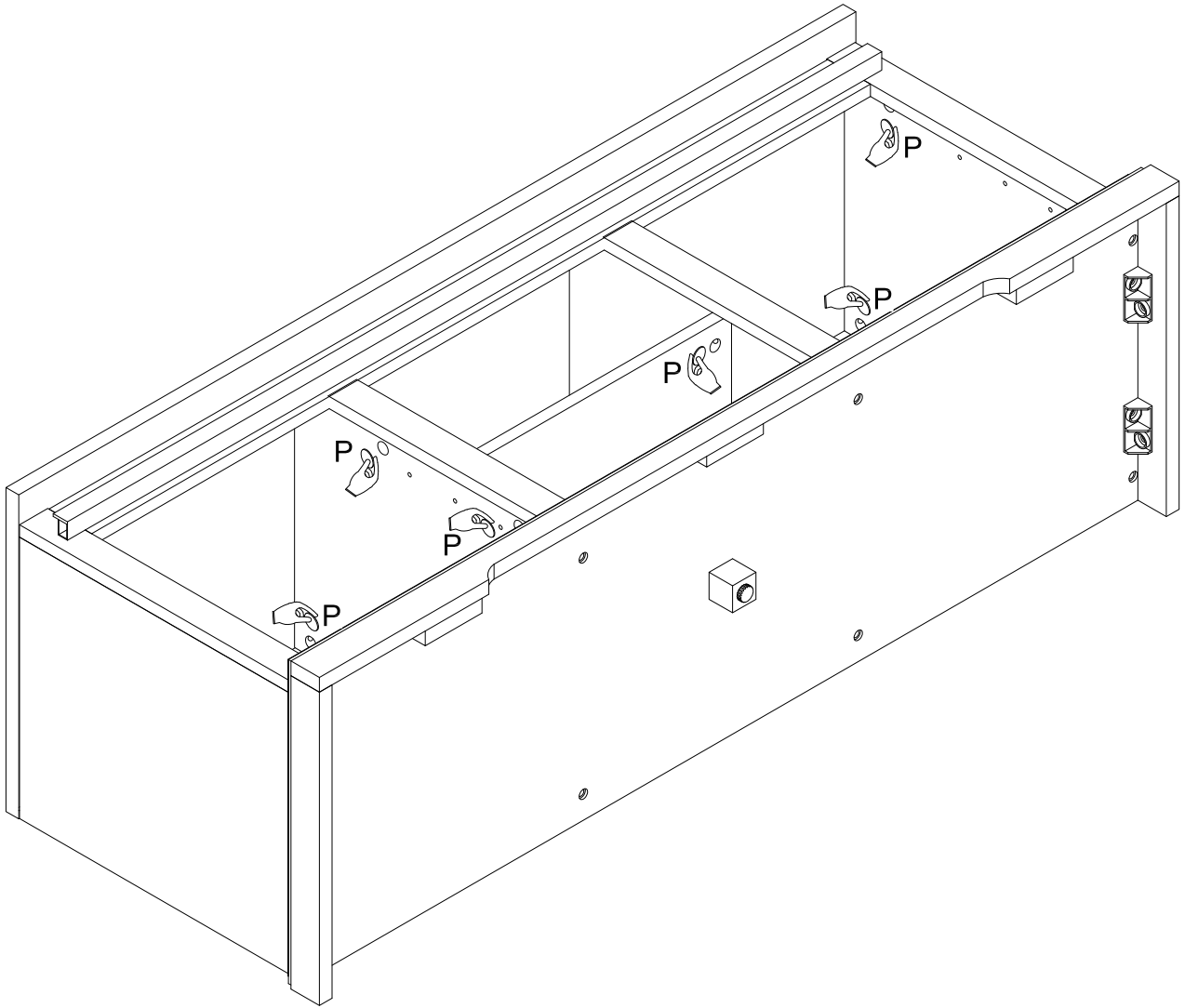
Using cam lock(C) secure part (1) to parts (3,4,5,6,7) with Philips head screwdriver as per diagram.

# Step 17



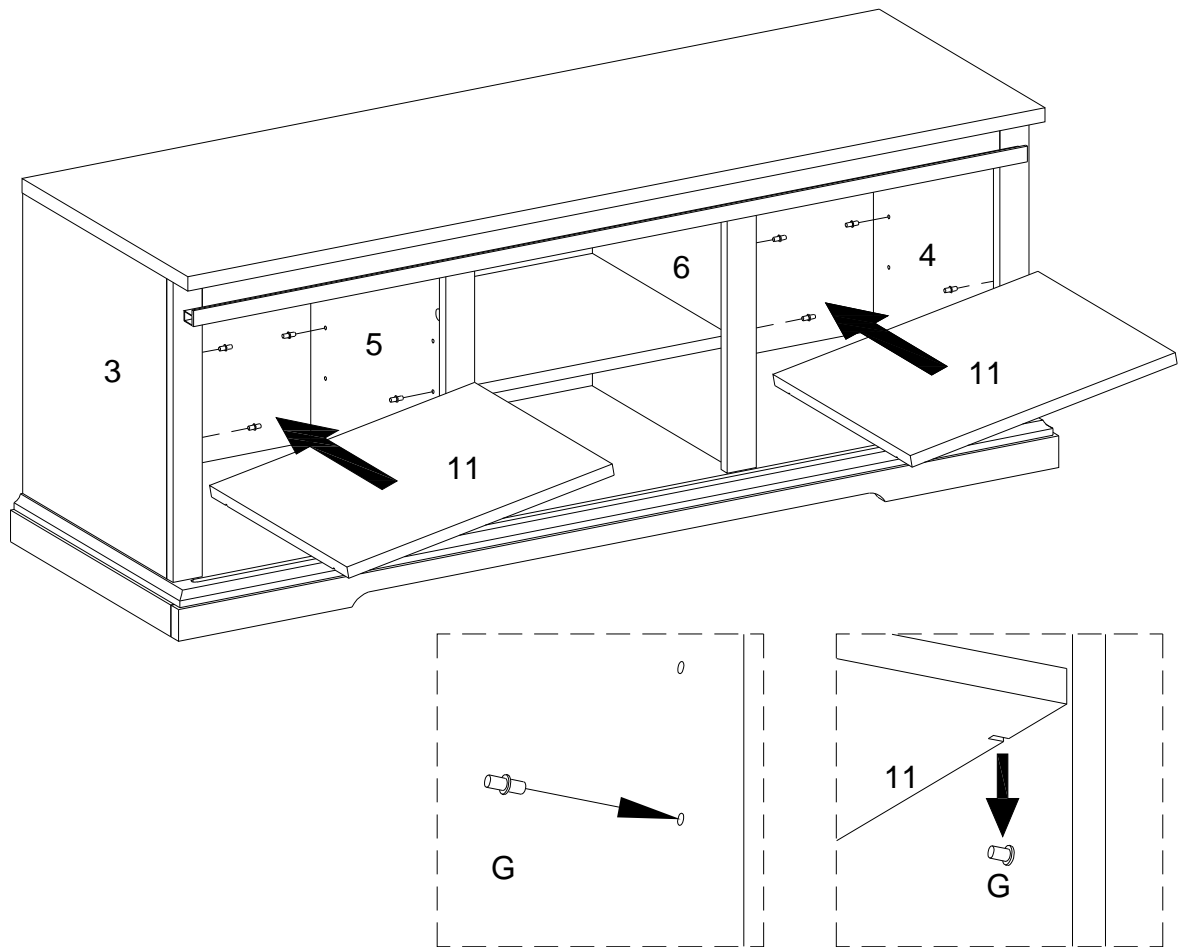
Using screw (S) secure plastic wedge (N) to part (13) with Philips head screwdriver as per diagram.

# Step 18



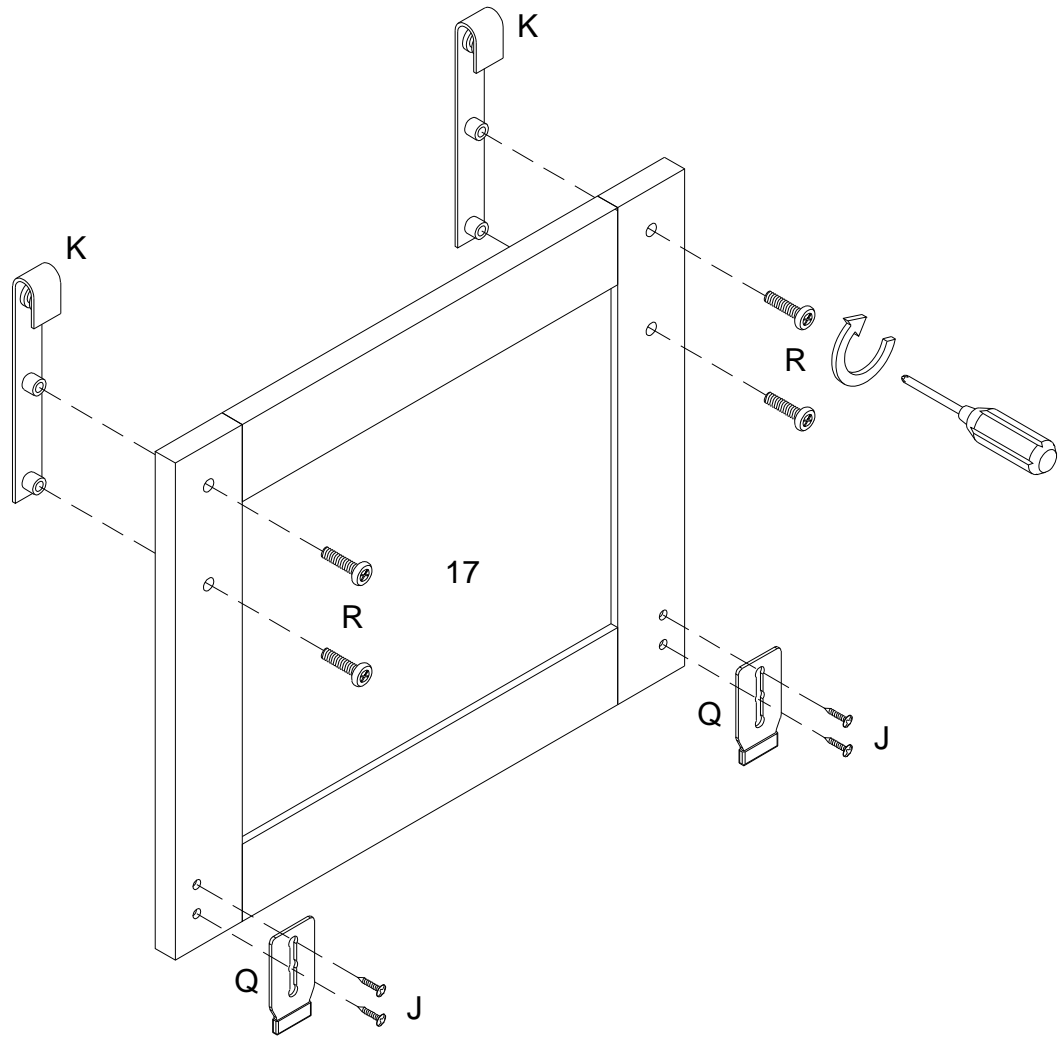
Place sticker (P) cover the holes as per diagram .

# Step 19



Insert shelf support pin (G) into parts (3,4,5,6) as per diagram. Make sure you place the four shelf support pins (G) in the same level. So the shelf is not tilted. Put part (11) into unit as per diagram. Tilt and rest the adjustable shelf(11) onto the shelf support pins .

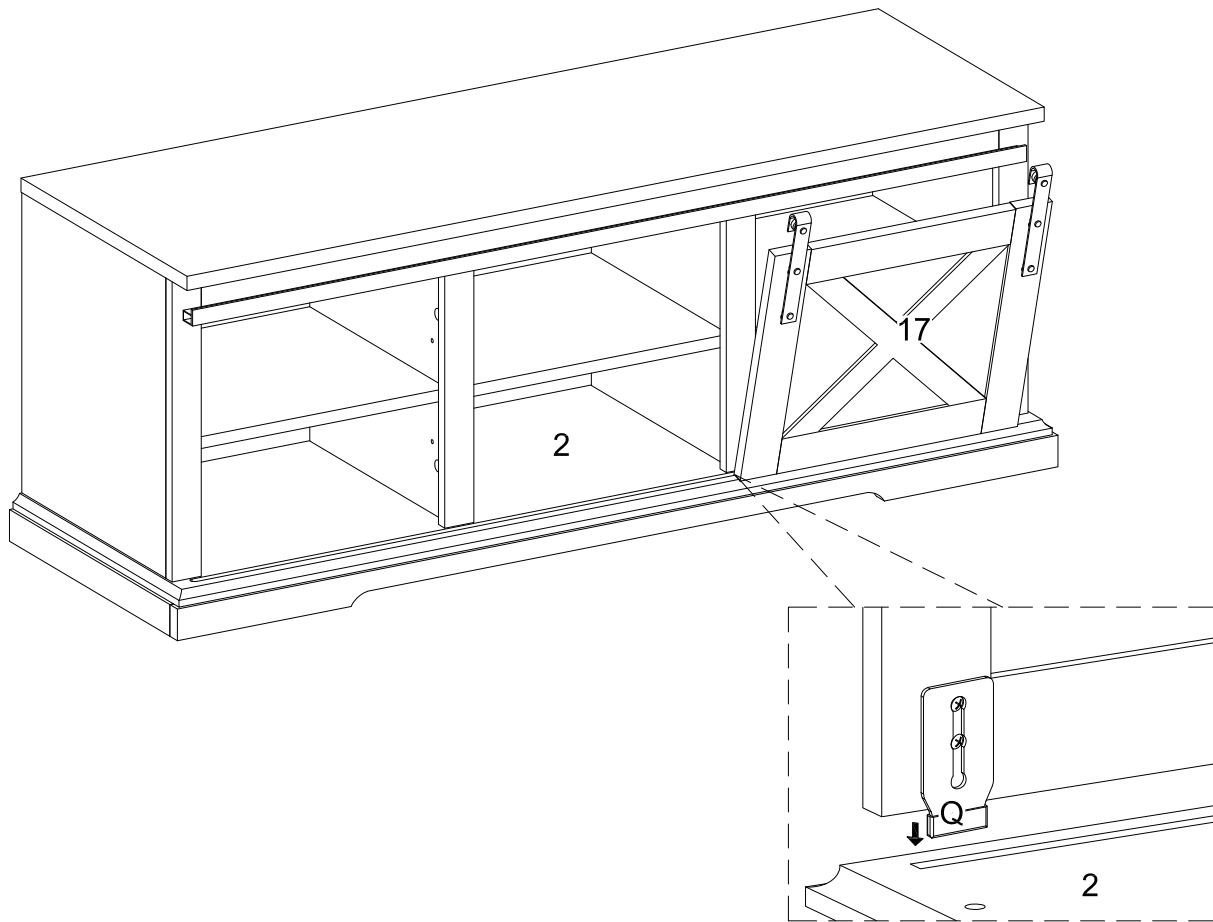
# Step 20



Using bolt (R) secure pulley (K) into part (17) ,then using screw (J) attach plate (Q) into part (17) with Philips head screwdriver as per diagram.

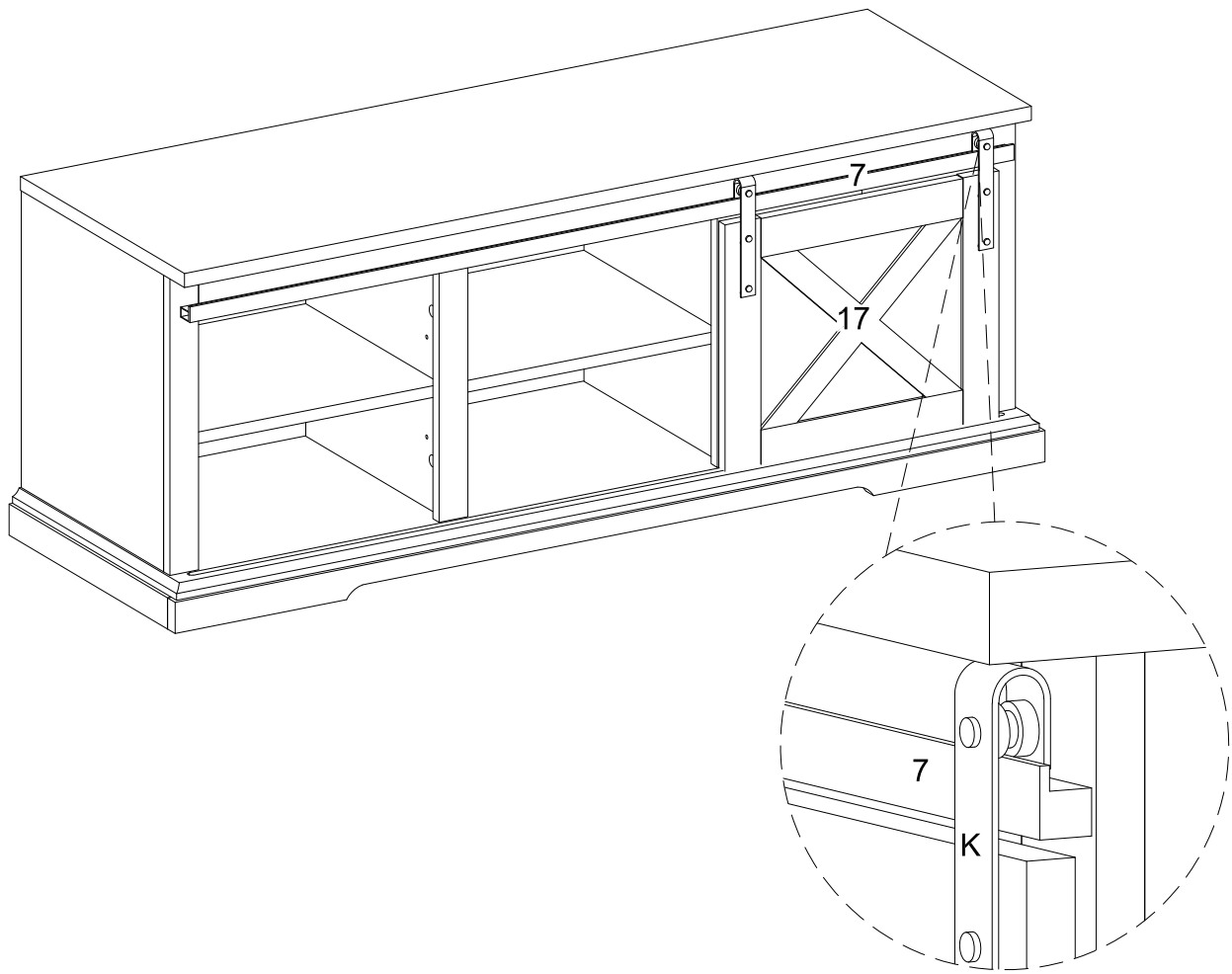


# Step 21



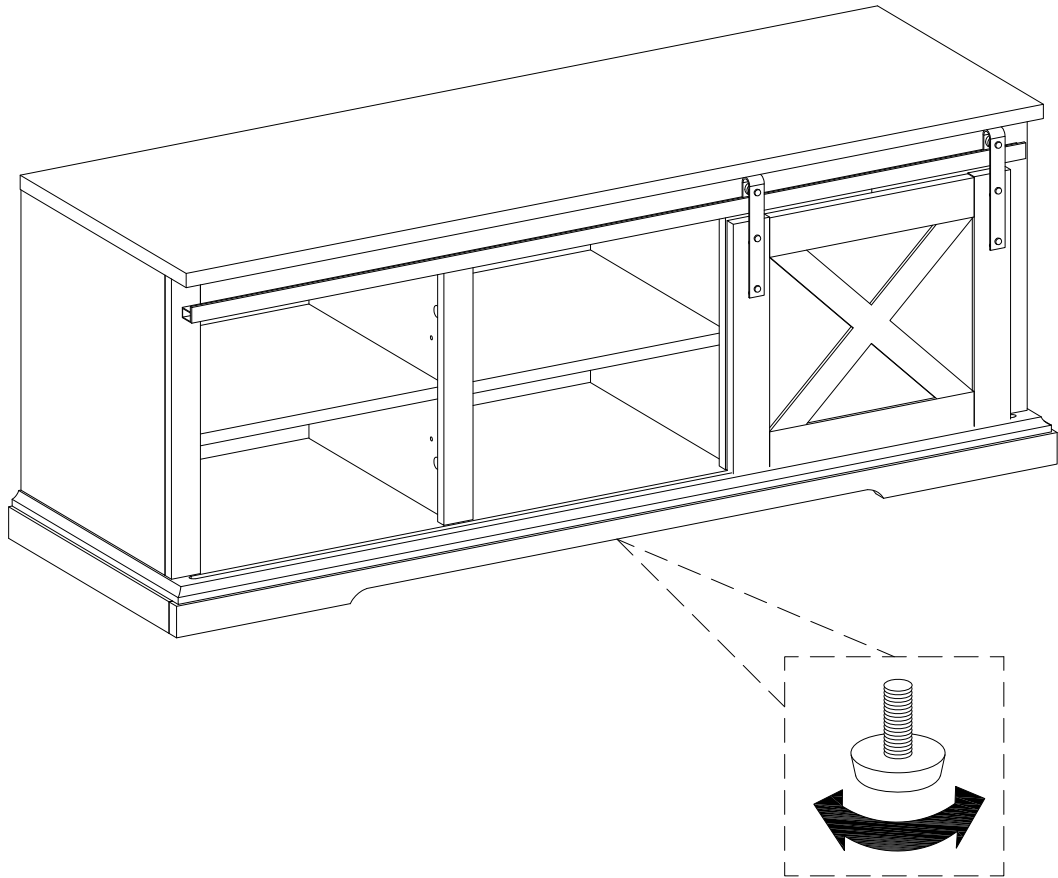
Place plate (Q) on door into groove.

# Step 22



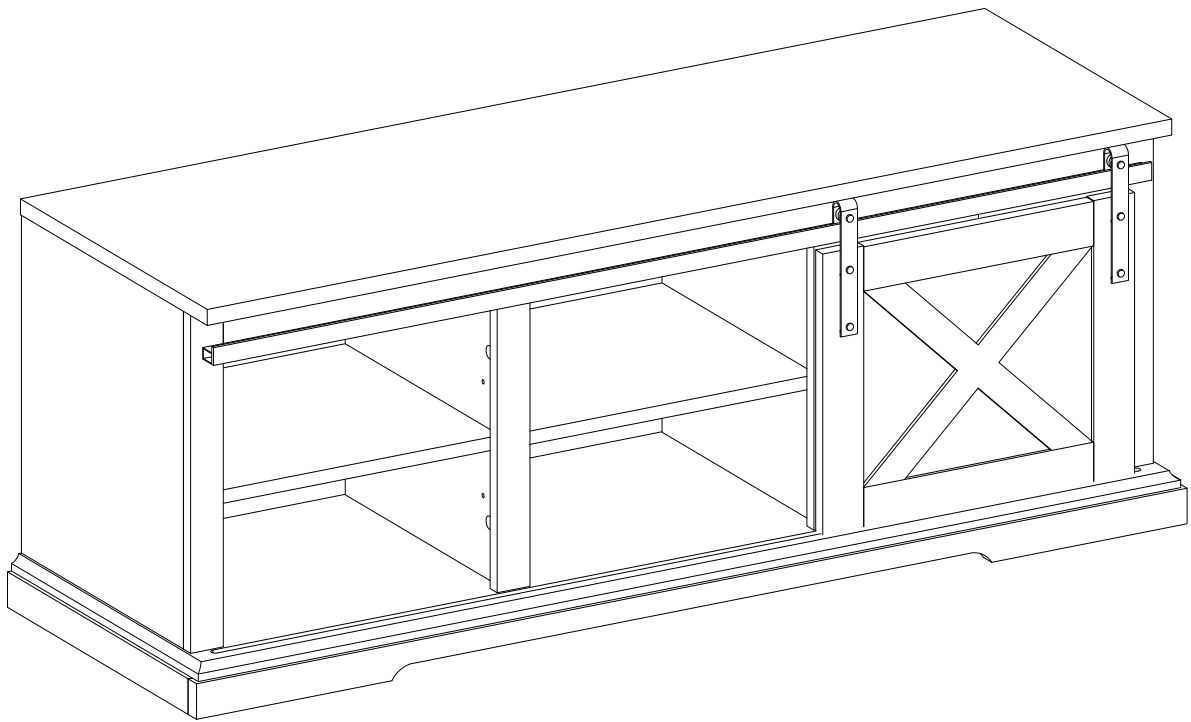
Hang pulley (K) to part (7), then press down to hold the door.

# Step 23



if necessary, adjust the pre-attached Floor Levelers at the bottom to level the unit.

# Step 24



## Final Assembly