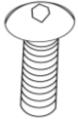


ASSEMBLY INSTRUCTION SIDE BOARD 49512

Hardware Parts

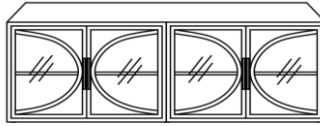


ALLEN BOLT -
12 PCS.



TOP
1 PC

Table Parts

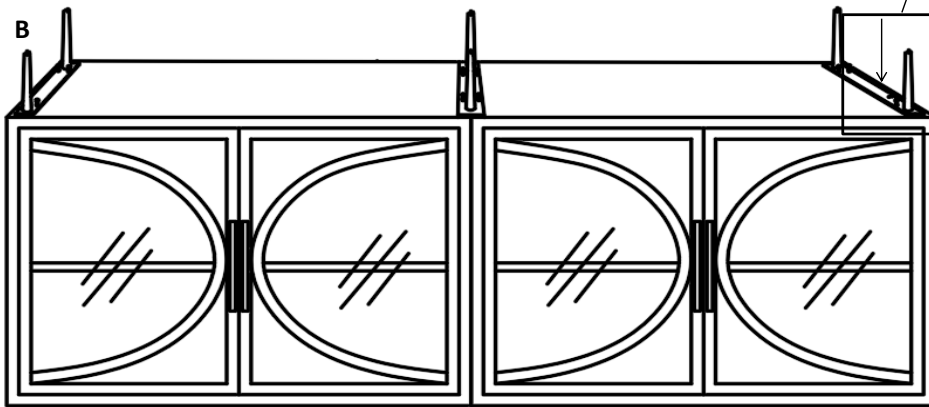
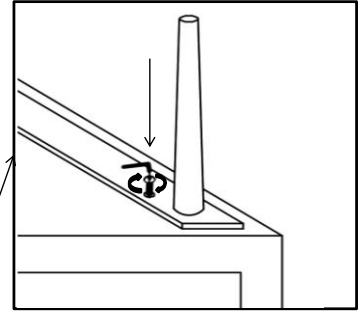


A- TOP

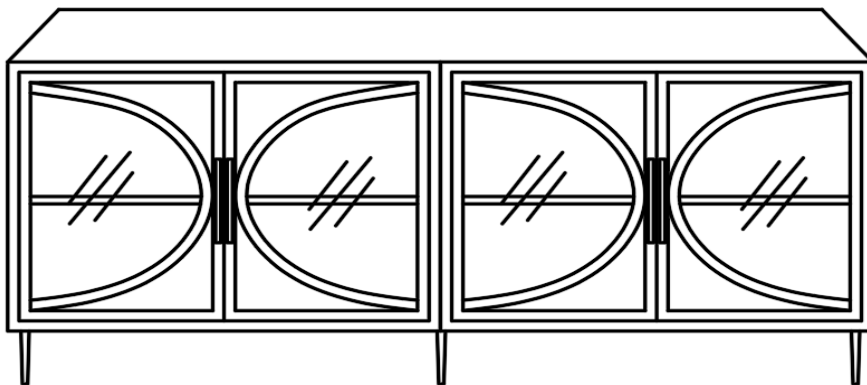


B- LEG
3PCS.

STEP 1



A



FINAL PICTURE