






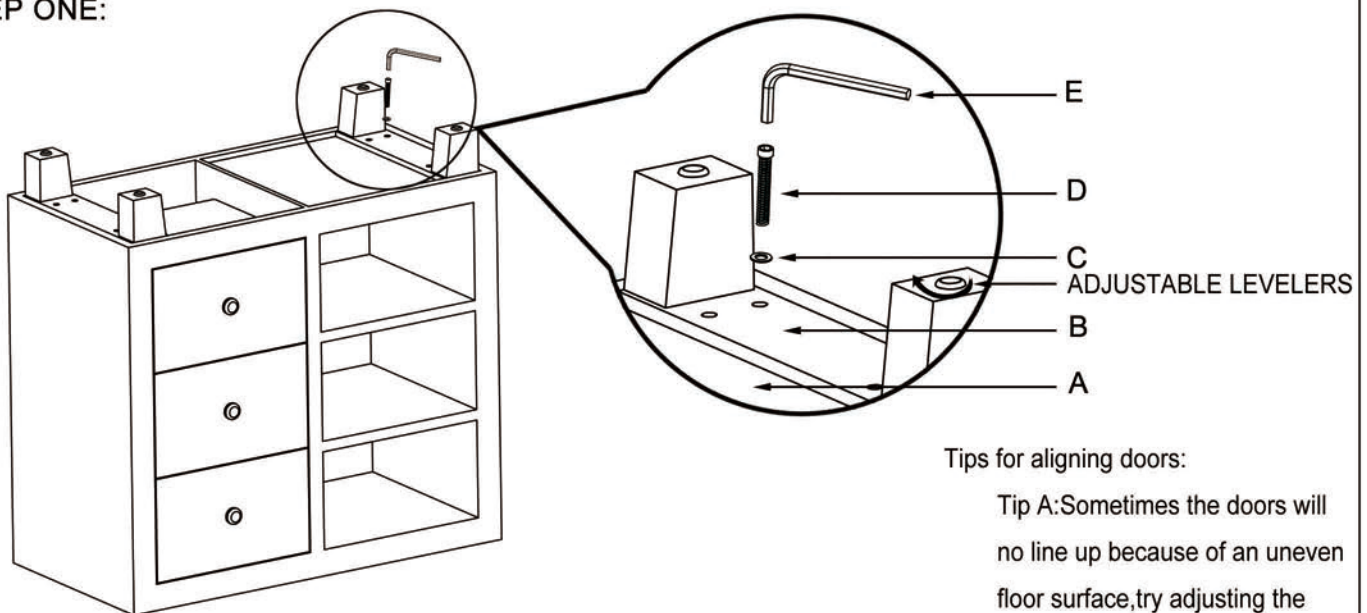
# ASSEMBLY INSTRUCTIONS

## ITEM NO: 55606

Thank you for purchasing this quality product. Be sure to check all packing material carefully for small parts that may have come loose inside the carton during shipment. (Note: Loosely thread all screws/bolts first. Once the item is assembled then completely tighten. )

PARTS LIST				HARDWARE LIST				
NO.	Description	Sketch	Quantity	NO.	Description	Sketch	Size	Quantity
A	Top		1	C	Lock washer		Φ1/5 " *1/50 "	8
				D	Blots		Φ1/5 " *1/2 "	8
B	Legs		2	E	Allen wrench		Φ4/25 "	1

### STEP ONE:



#### Tips for aligning doors:

Tip A: Sometimes the doors will not line up because of an uneven floor surface, try adjusting the levelers found on the bottom of each foot to aid in correcting.

### STEP TWO:

