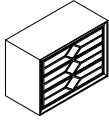


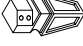


ASSEMBLY INSTRUCTIONS





ITEM NO.:55630

Thank you for purchasing this quality product. Be sure to check all packing material carefully for small parts that may have come loose inside the carton during shipment. (Note: Loosely thread all screws/bolts first. Once the item is assembled then completely tighten.)

PARTS LIST:

NO.	Description	Sketch	Quantity
A	TOP		1
B	FRONT LEGS		2
C	BACK RIGHT LEG		1
D	BACK LEFT LEG		1

HARDWARE LIST:

NO.	Sketch	Description	Size	Quantity
E		Blots	Ø5/16"*1-5/8"L	8
F		Flast washer	Ø5/16"	8
G		Look washer	Ø5/16"*3/4"	8
H		Allen wrench	M5*65L	1

