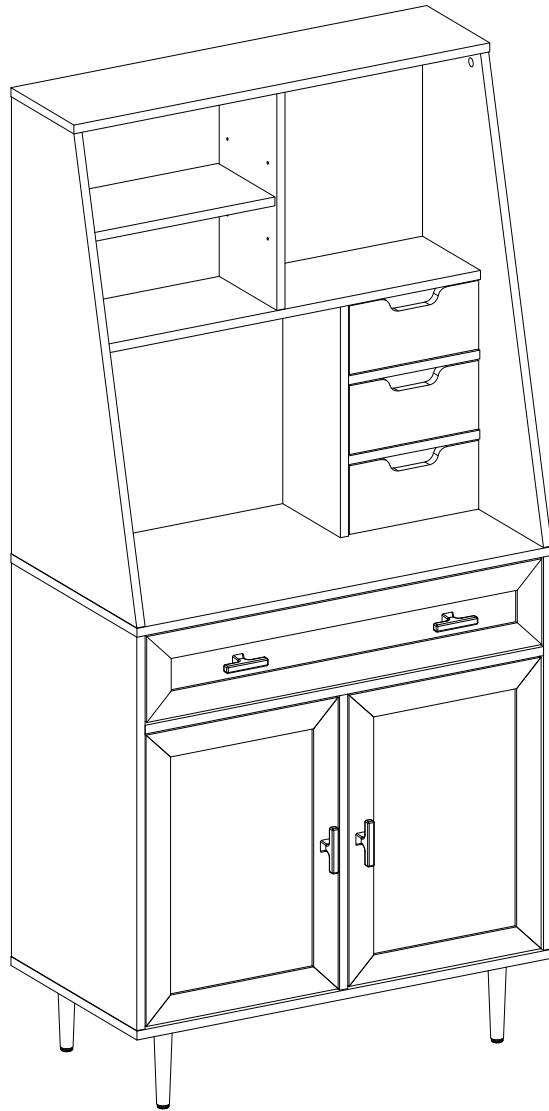


Item # : BS64BELHUT

Assembly Instructions



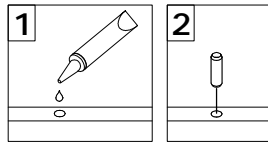
Walker Edison®

Please visit our website for the most current instructions, assembly tips, report damage, or request parts. www.walkeredison.com

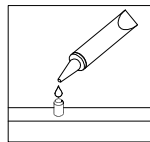
Revised 09/10/2019 (E)

General Assembly Guidelines

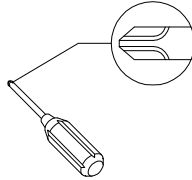
- I. Ensure that all parts and hardware are available before beginning assembly.
- II. Follow each step carefully to ensure the proper assembly of this product.
- III. Two people are recommended for ease in the assembly of this product.
- IV. The three main types of hardware used to assemble this product are : wood dowels , screws and bolts.
- V. The provided glue is to secure wood dowels in place . When first inserting dowels , locate the appropriate hole for the dowel , place a small amount of glue in the hole and insert the dowel . Wipe away excess glue immediately.



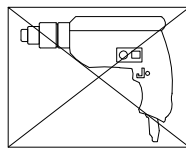
In future assembly steps when dowels are necessary to attach assembly parts together , place a small amount of glue on the end of the dowel before attaching parts together . Wipe away excess glue immediately.



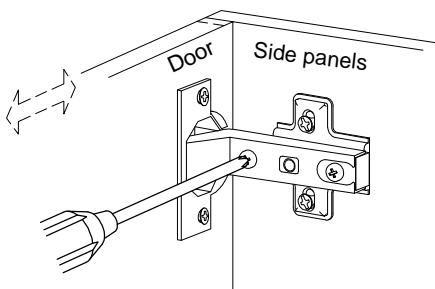
- VI. A Phillips head screwdriver is required for the assembly of this product .



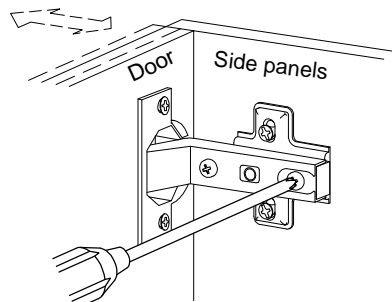
- VII. Power tools should not be used to assemble this product .



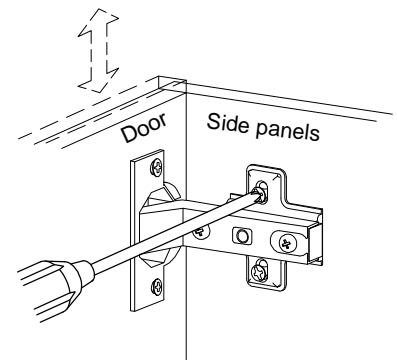
- VIII. Concealed hinges are three-way adjustable.



Horizontal
by screw adjustment

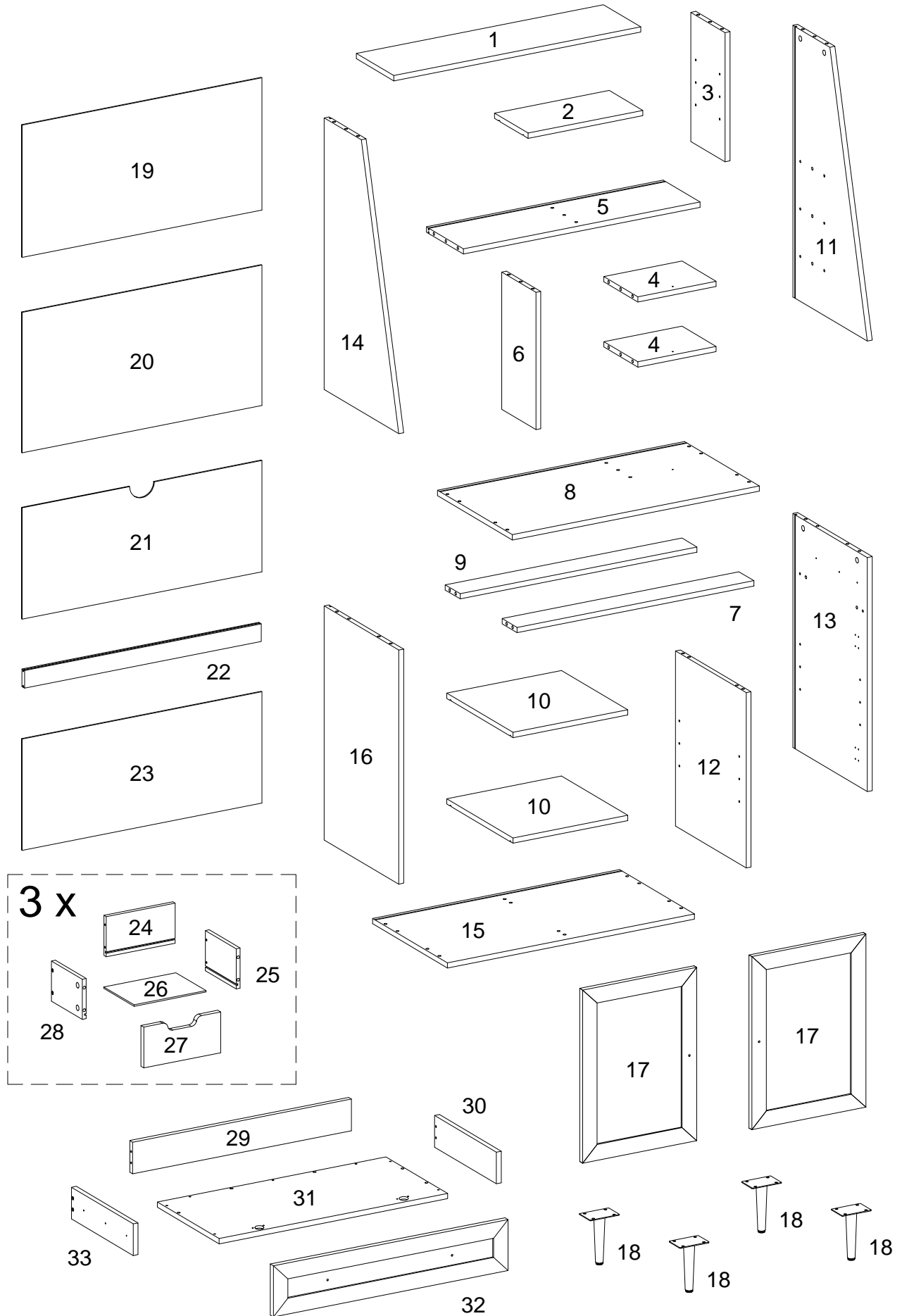


In-and-Out
by loosening the hinge-arm
mounting screw or via cam
adjustment


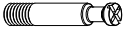


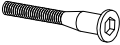



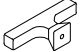
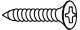
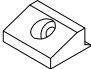



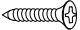


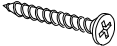




Vertical
Via slots in the mounting
plate or via cam adjustment

Parts List


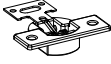

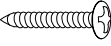



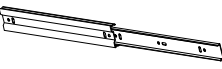


Hardware List

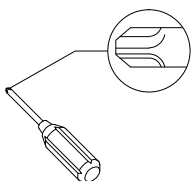
A		Ø8x30mm	Wooden dowel	38 pcs
B		Ø6x35mm	Cam bolt	42 pcs
C		Ø15x11mm	Cam lock	30 pcs
D		Ø30mm	Sticker	42 pcs
E		Ø6x50mm	Bolt	14 pcs
F		Ø6x12mm	Bolt	16 pcs
G		M 4	Hex key	1 pc
H		Ø15x9mm	Cam lock	12 pcs
J			Handle	4 pcs
L		Ø3x17mm	Screw	16 pcs
M			Plastic wedge	16 pcs
N			Door stopper	2 pcs
O			Glue tube	2 pcs
P			Plastic wedge	3 pcs
Q		Ø3x12mm	Screw	15 pcs
R			West hinge	4 pcs
S		Ø3.5x14mm	Screw	36 pcs
T		Ø4x32mm	Screw	19 pcs
U		Ø4x44mm	Screw	4 pcs
V			Shelf support pin	12 pcs

*The hardware quantities listed above are required for proper assembly.
Some extra hardware may also have been included.*

Hardware List

W			Rubber pad	2 pcs
Z			Europe hinge	2 pcs
AA		Ø4x12mm	Screw	2 pcs
BB		Ø4x25mm	Screw	2 pcs
CC			Plastic strap	2 pcs
DD			Nut	2 pcs
EE		Ø4x22mm	Handle Bolt	4 pcs
FF			Drawer slider	1 set

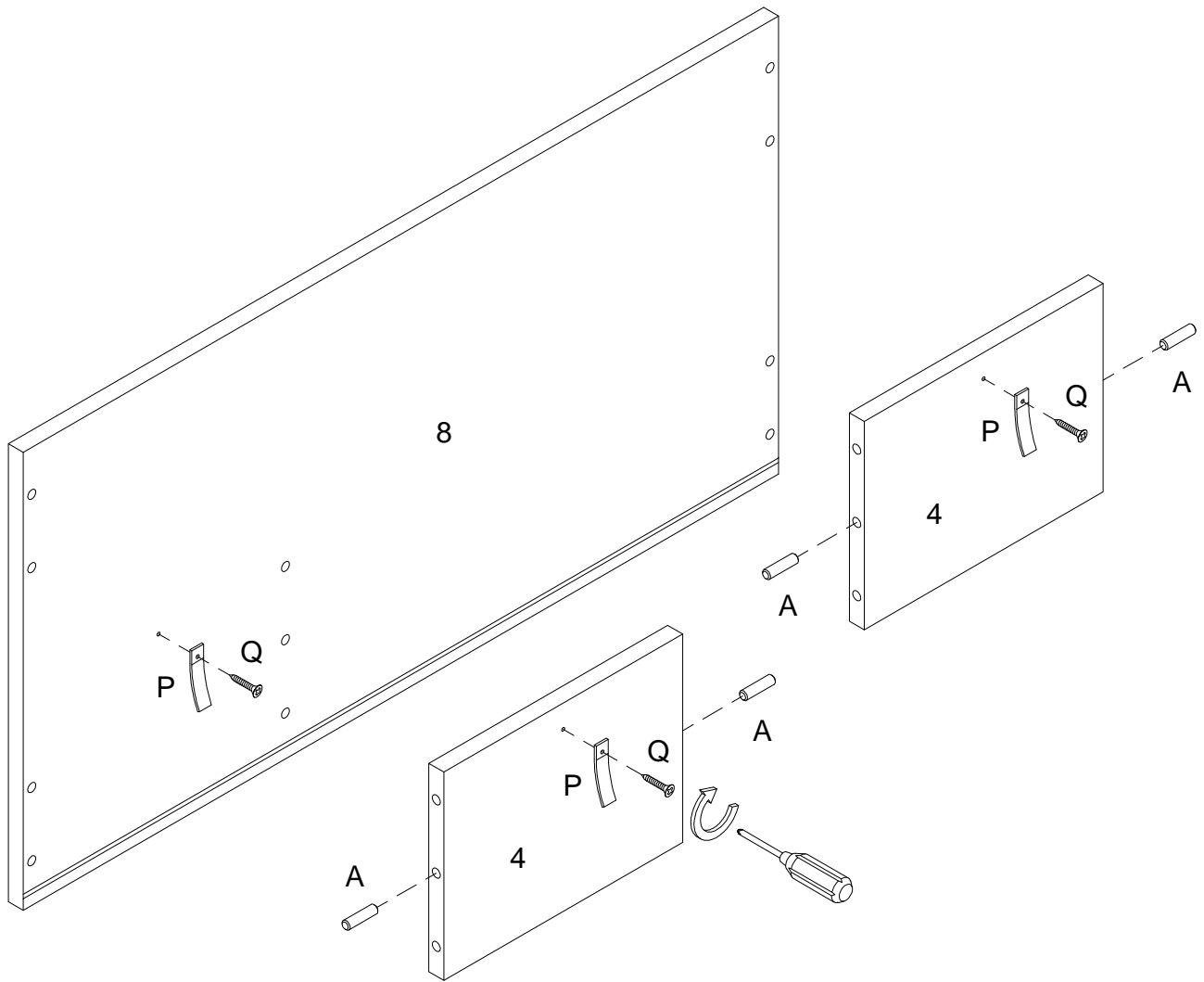
* Note: This piece comes preassembled for shipping purposes and must be disassembled to complete the desk assembly.



Philips head screwdriver required for assembly
(not included)

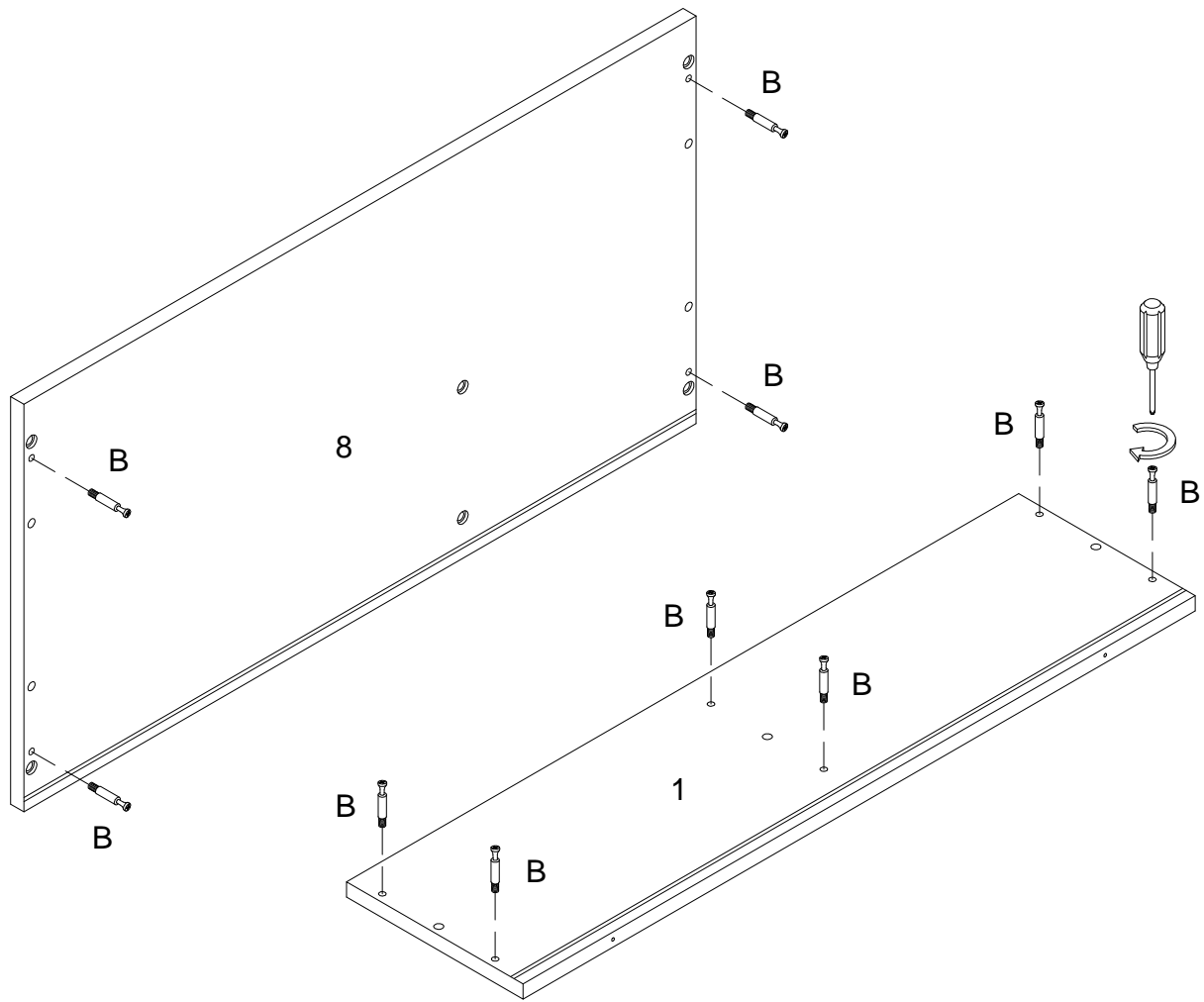
*The hardware quantities listed above are required for proper assembly.
Some extra hardware may also have been included.*

Step 1



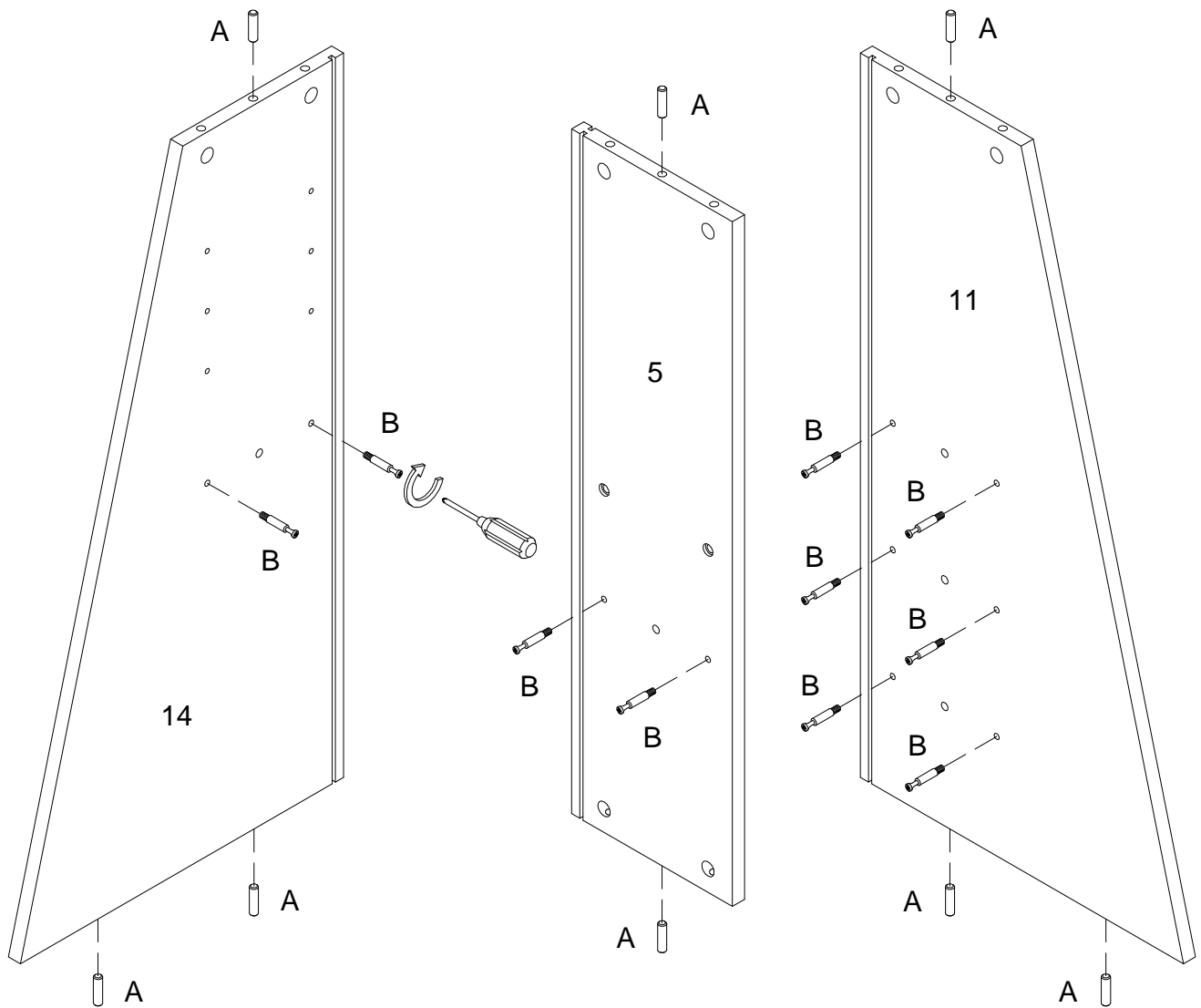
Insert wooden dowel (A) into part (4), then using screw (Q) attach plastic wedge (P) into parts (4,8) with Philips head screwdriver as per diagram.

Step 2



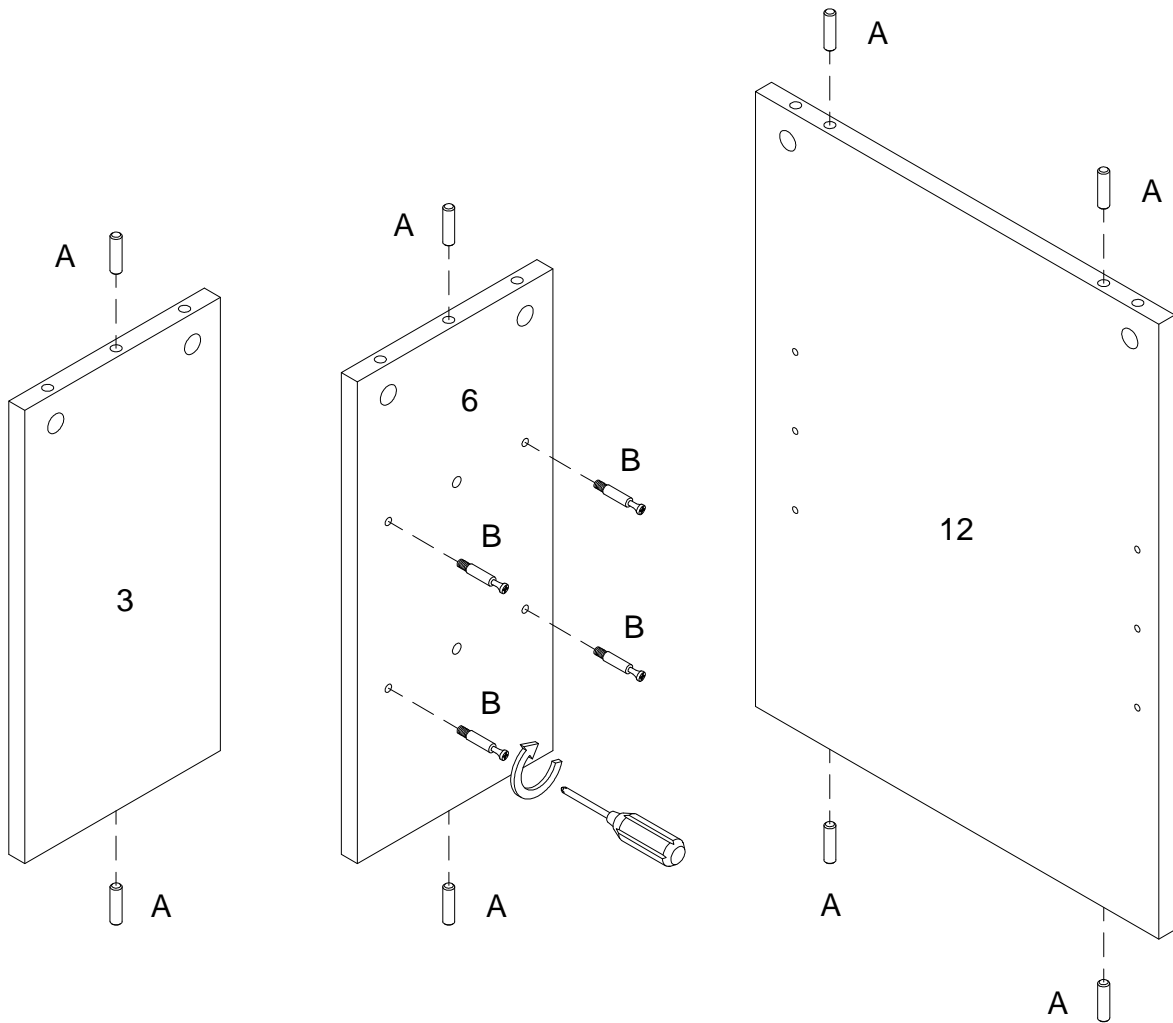
Secure cam bolt (B) into parts (1,8) with Philips head screwdriver as per diagram.

Step 3



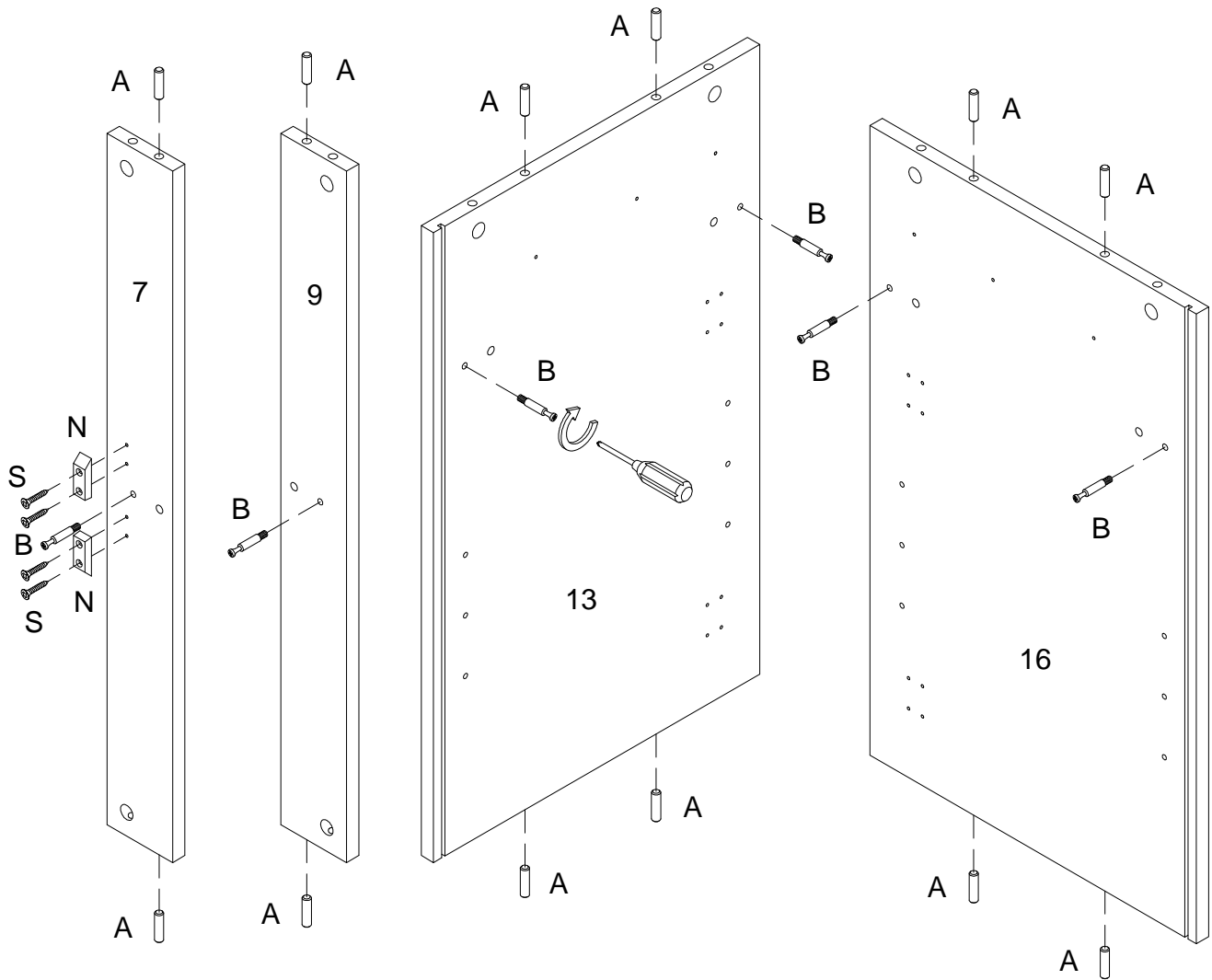
Insert wooden dowel (A) into parts (5,11,14), then secure cam bolt (B) into parts (5,11,14) with Philips head screwdriver as per diagram.

Step 4



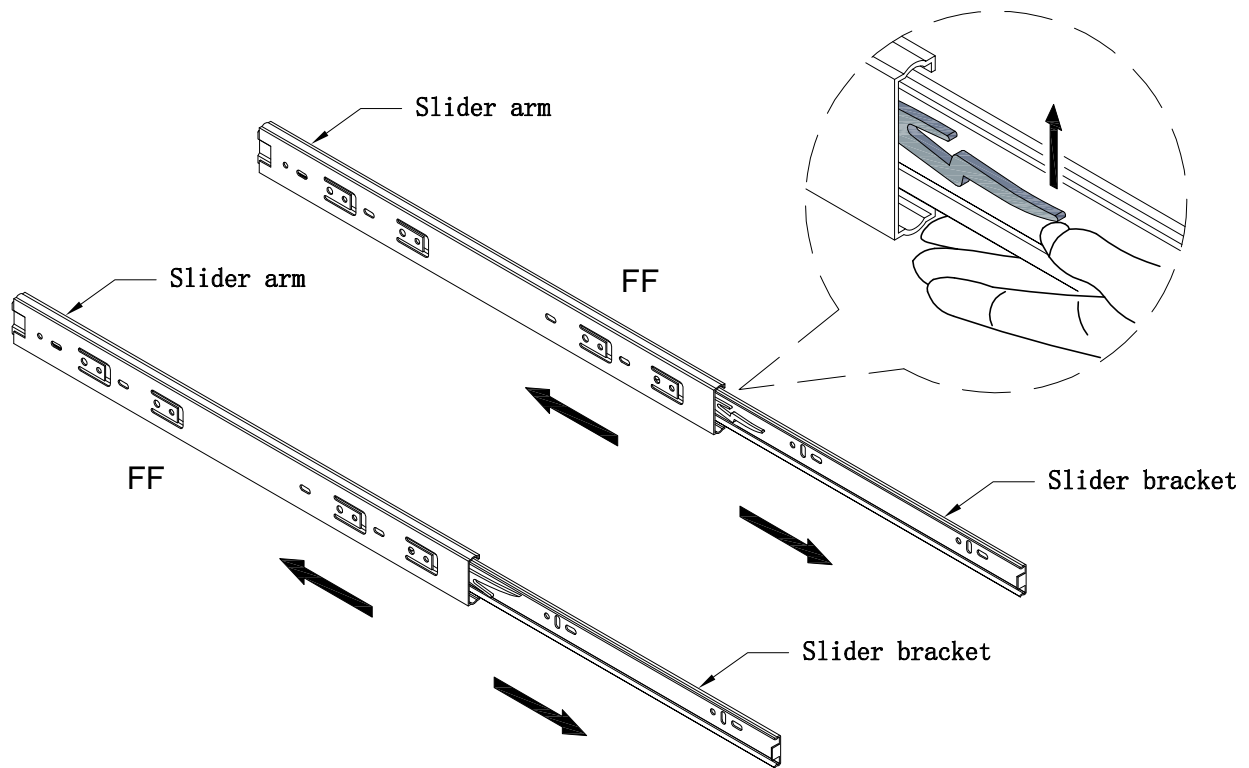
Insert wooden dowel (A) into parts (3,6,12), then secure cam bolt (B) into part (6) with Philips head screwdriver as per diagram.

Step 5



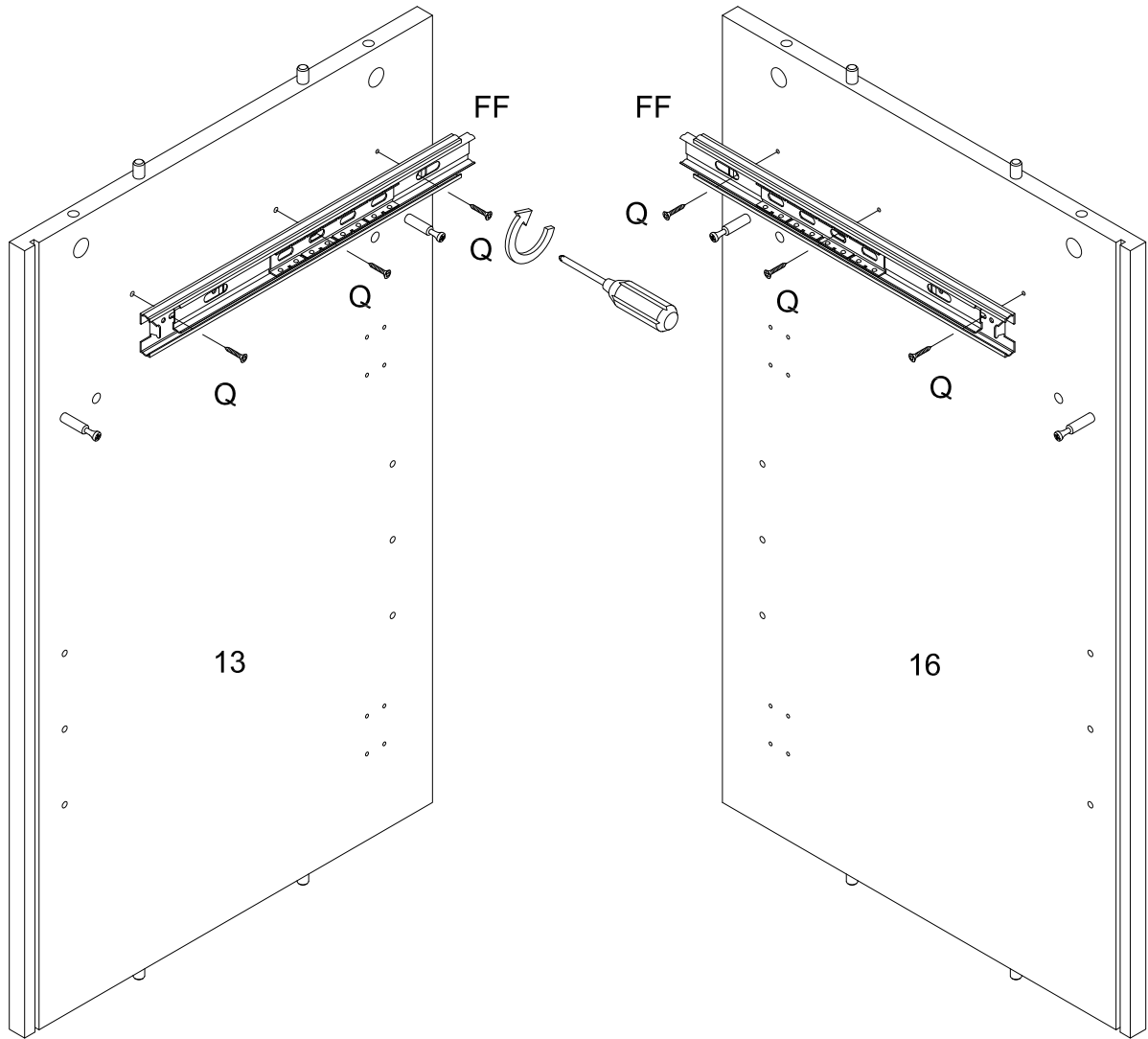
Insert wooden dowel (A) into parts (7,9,13,16),then secure cam bolt (B) into parts (7,9,13,16) ,using screw (S) attach door stopper (N) into part (7) with Philips head screwdriver as per diagram.

Step 6



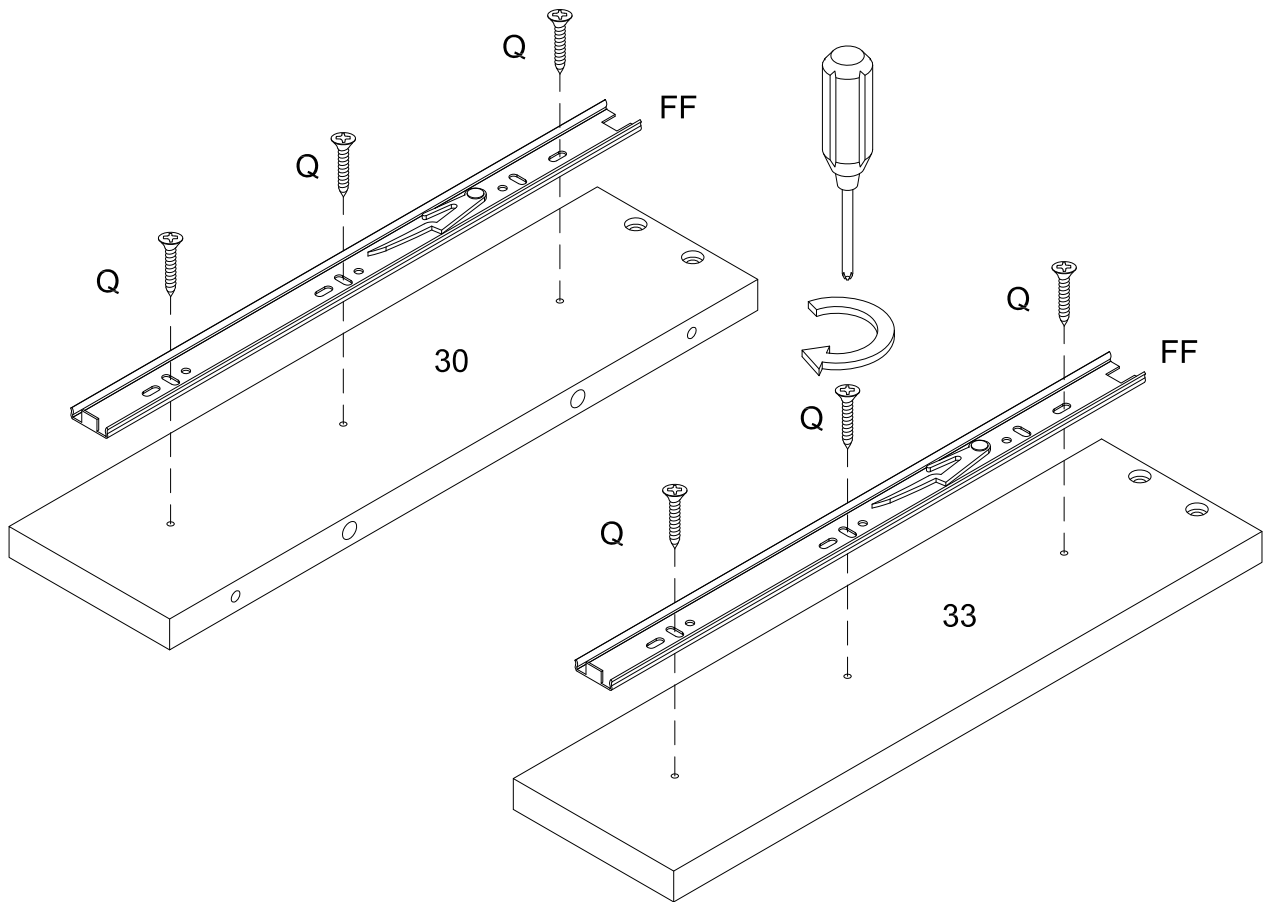
Pick up the Ball Bearing Slides (FF) and separate the slide Runner for the following Steps. Extend the Slide Runner all the way forward, press the plastic release lever of the ball bearing Slides up and pull the Slide Runner Complete out .

Step 7



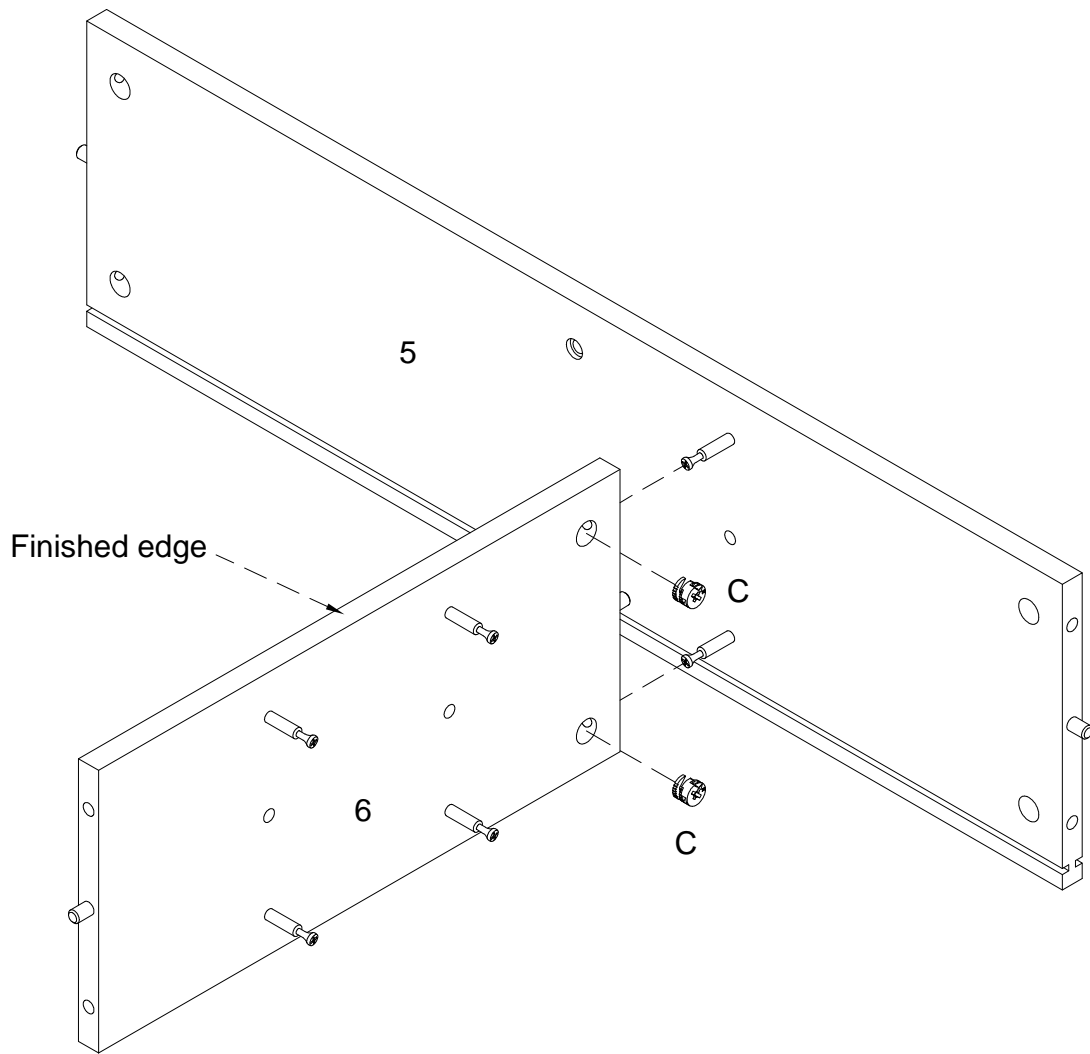
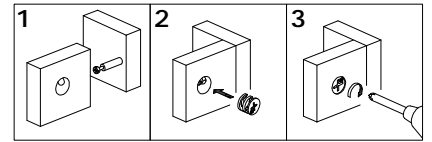
Using screw (Q) attach drawer slider (FF) to parts (13,16) with Philips head screwdriver as per diagram.

Step 8



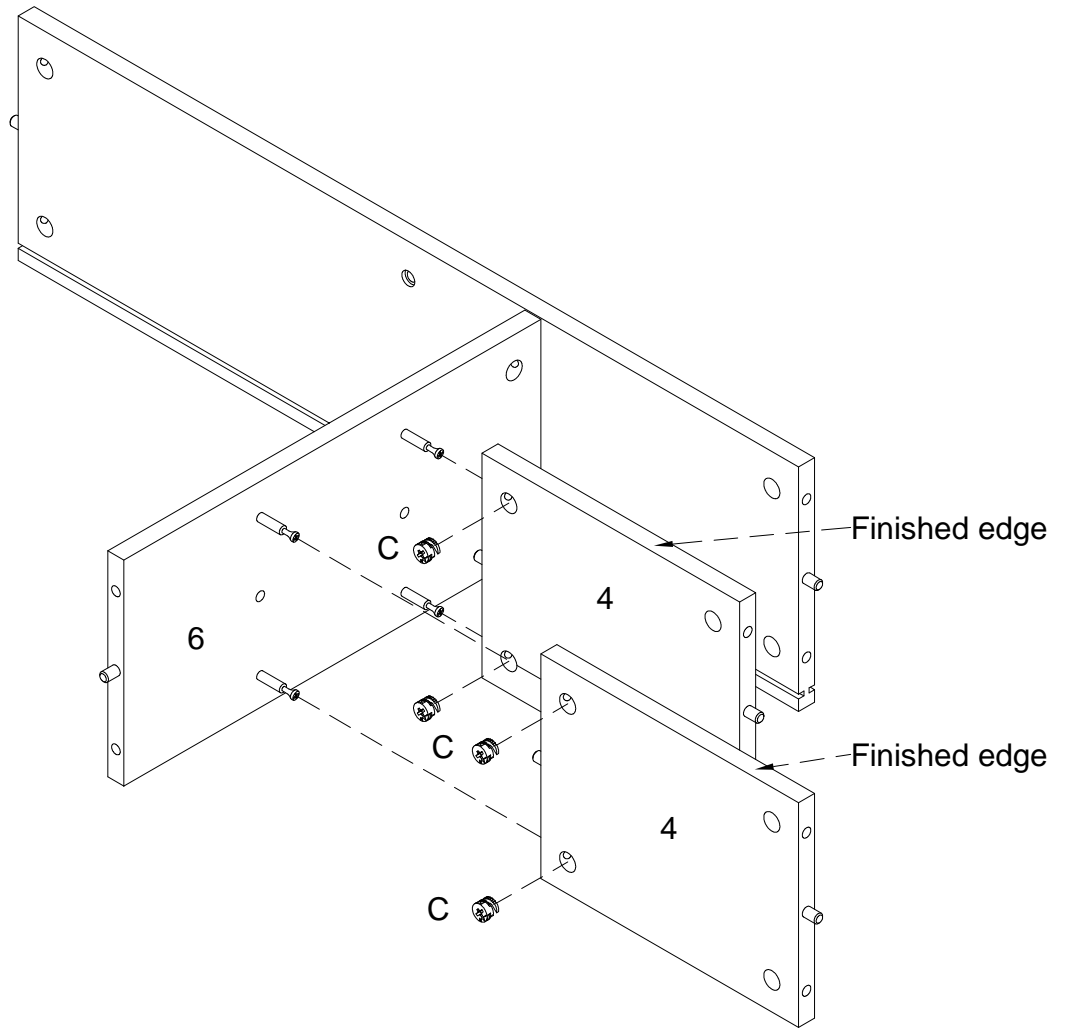
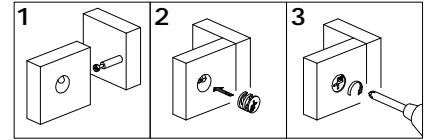
Using screw (Q) attach drawer slider (FF) to parts (30,33) with Philips head screwdriver as per diagram.

Step 9



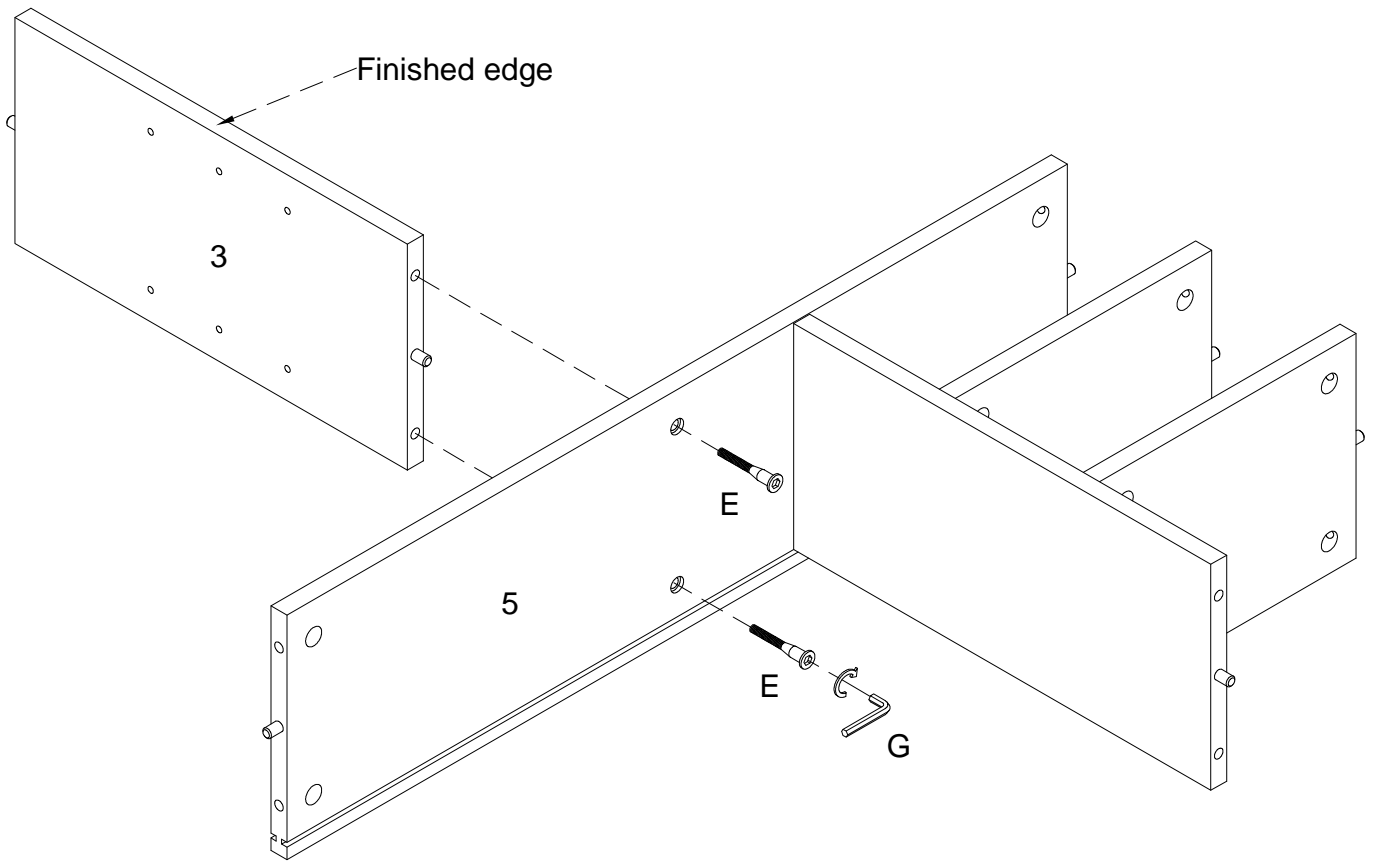
Using cam lock(C) secure part (6) into part (5) with Philips head screwdriver as per diagram.

Step 10



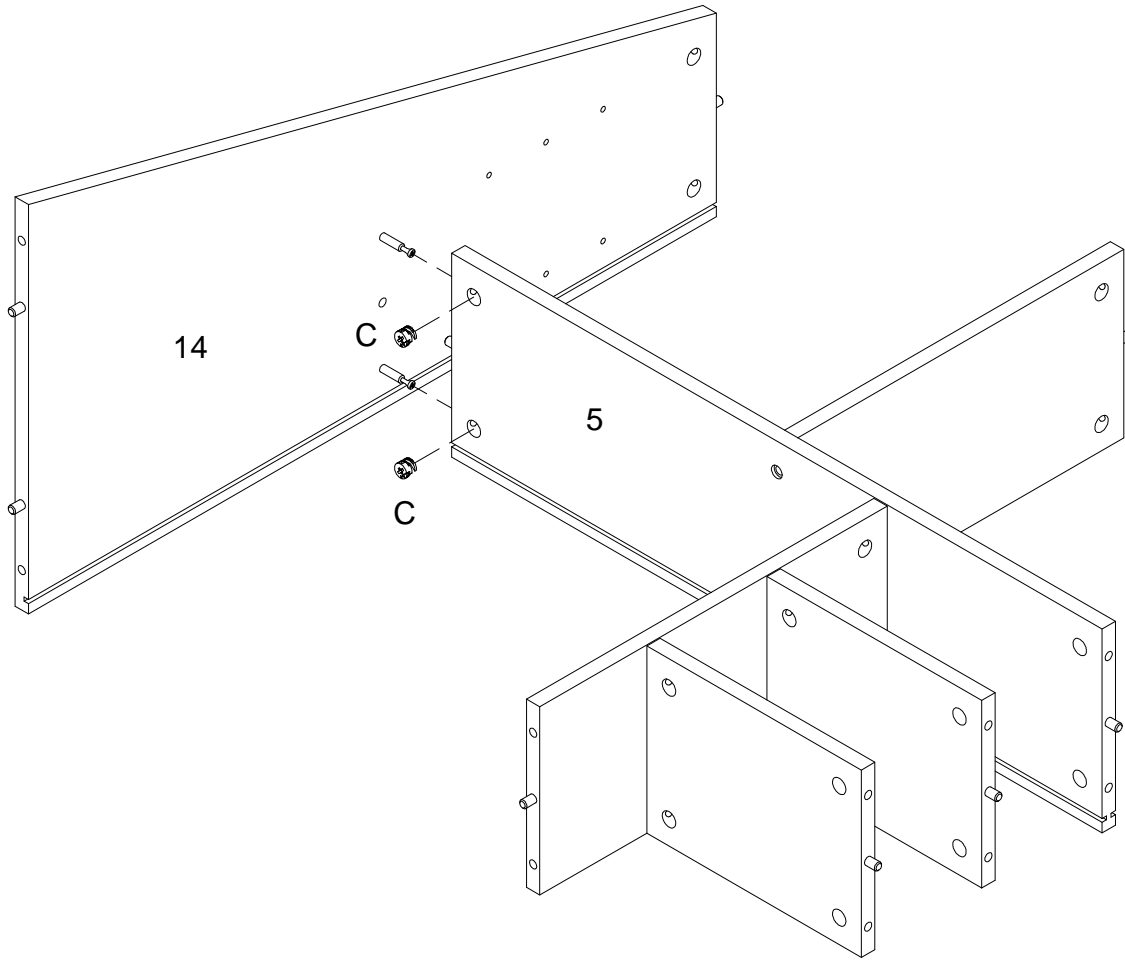
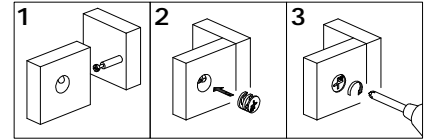
Using cam lock(C) secure part (4) into part (6) with Philips head screwdriver as per diagram.

Step 11



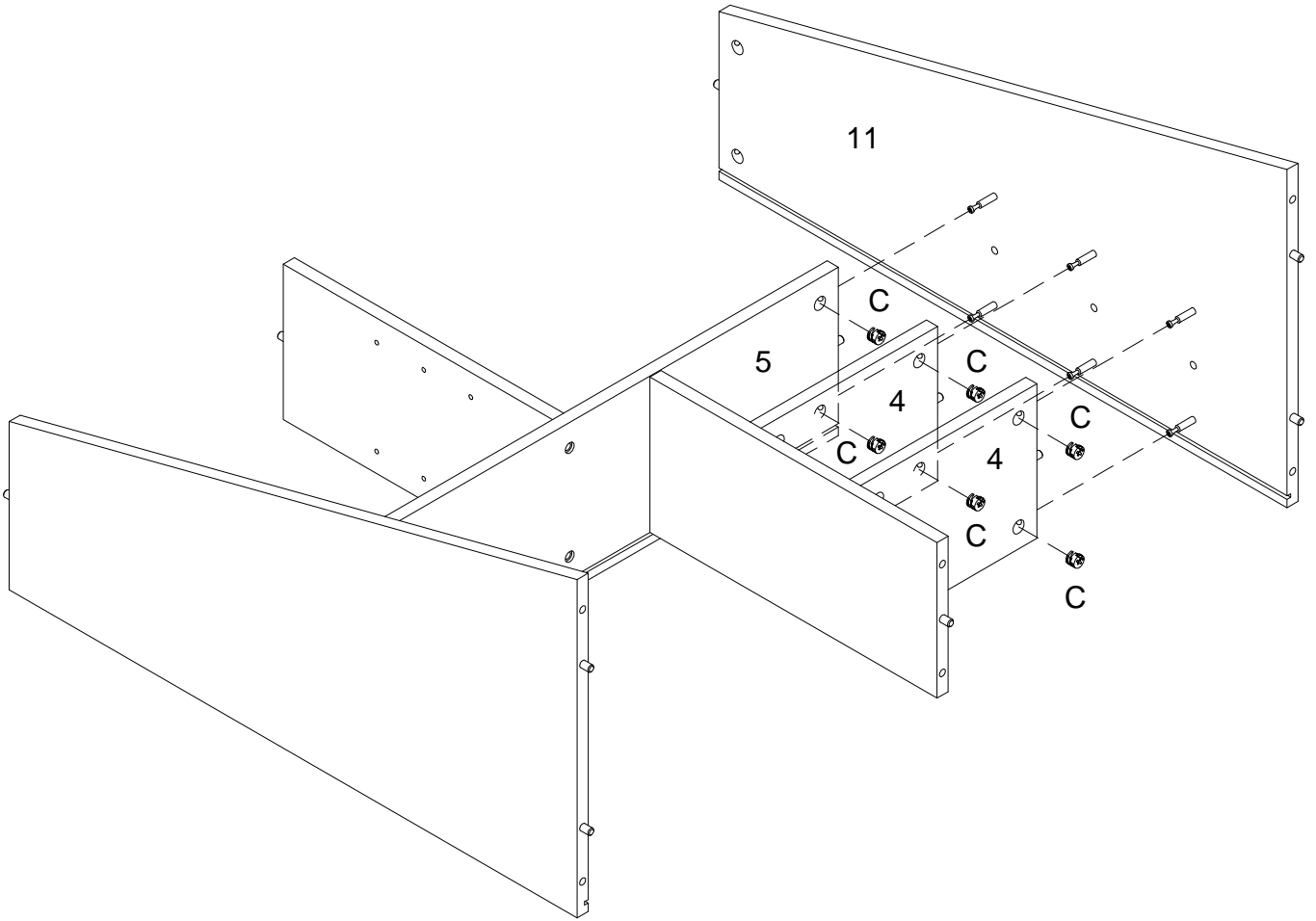
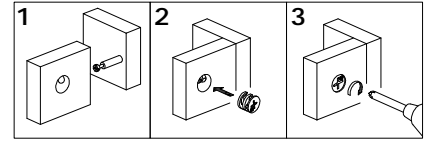
Using bolt (E) attach part (5) into part (3) with hex key (G) as per diagram.

Step 12



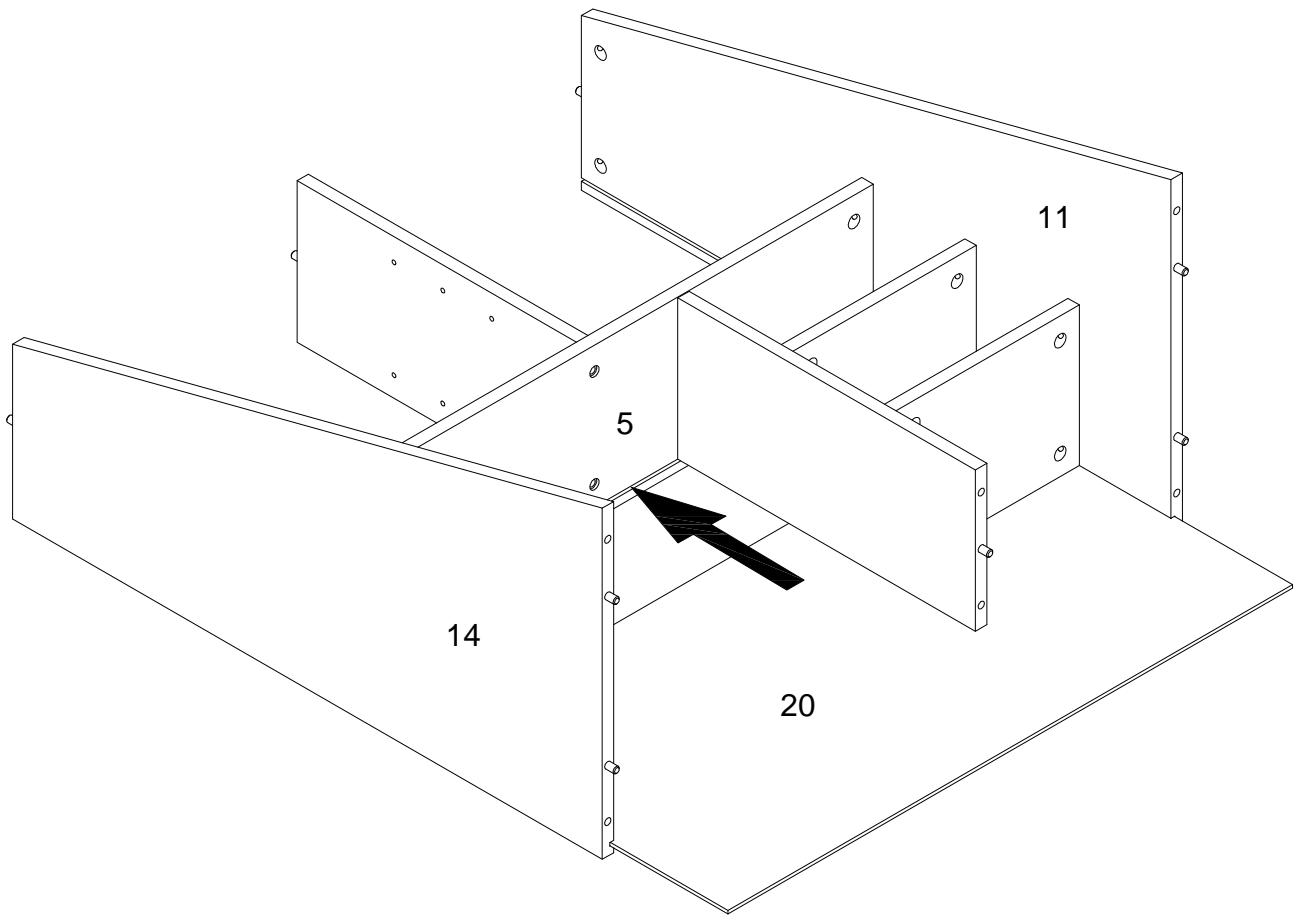
Using cam lock(C) secure part (5) into part (14) with Philips head screwdriver as per diagram.

Step 13



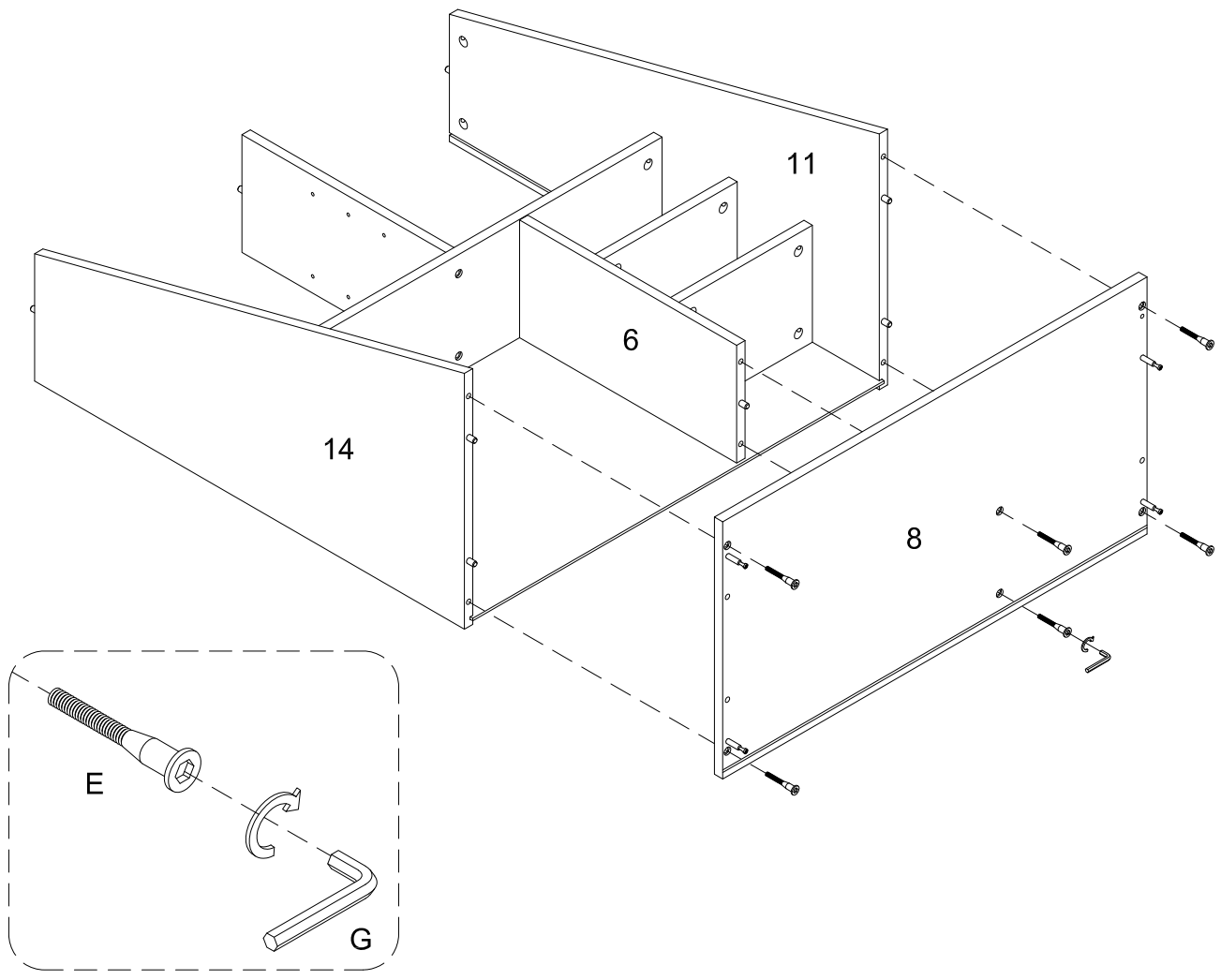
Using cam lock(C) secure part (11) with Philips head screwdriver as per diagram.

Step 14



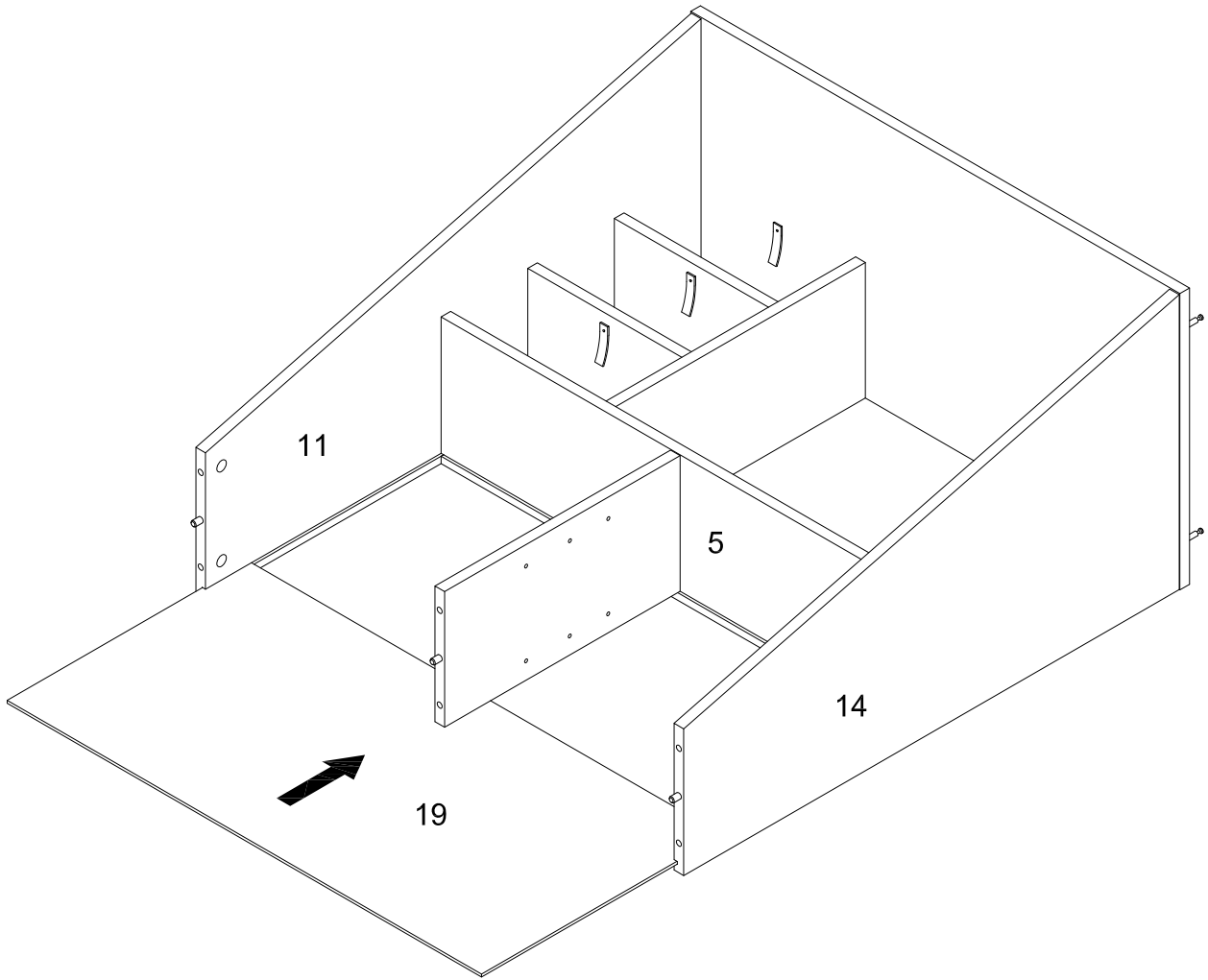
Put part (20) as per diagram.

Step 15



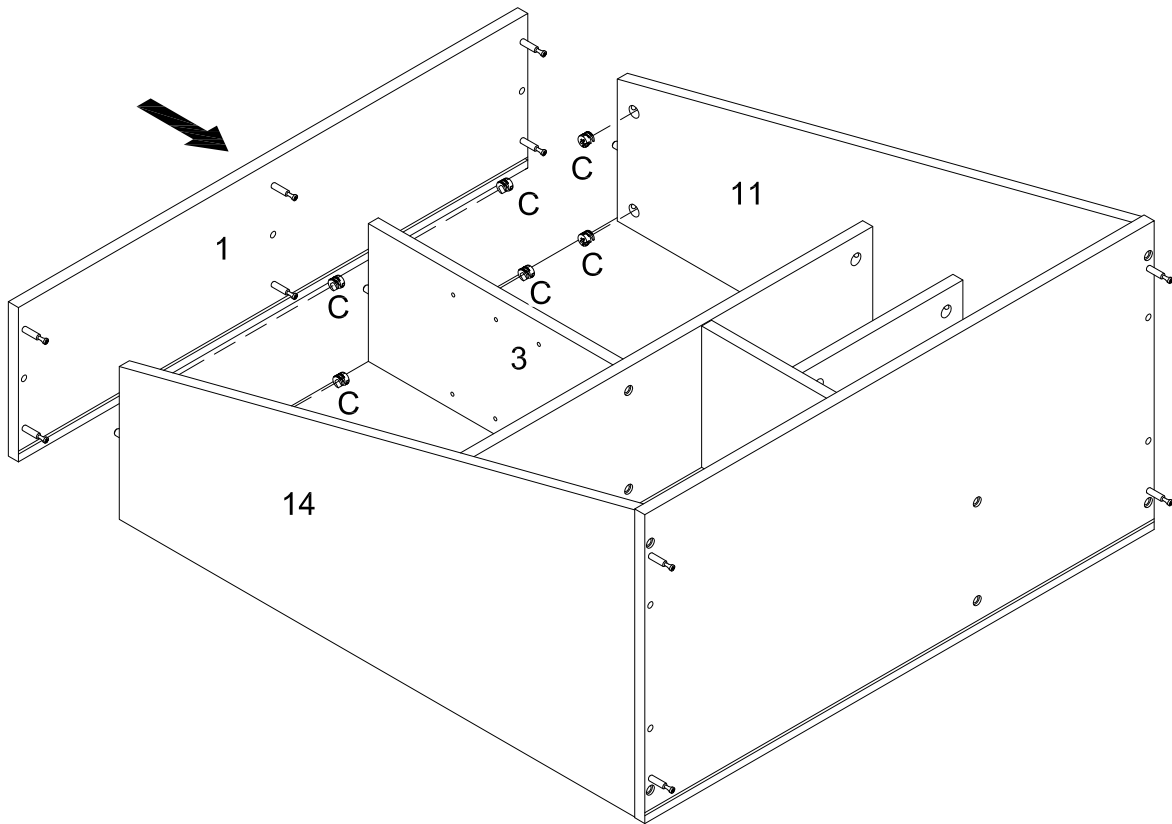
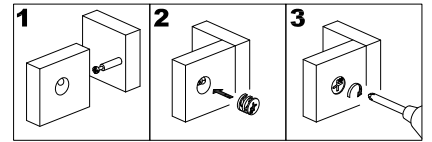
Using bolt (E) attach part (8) into parts (6,11,14) with hex key (G) as per diagram.

Step 16



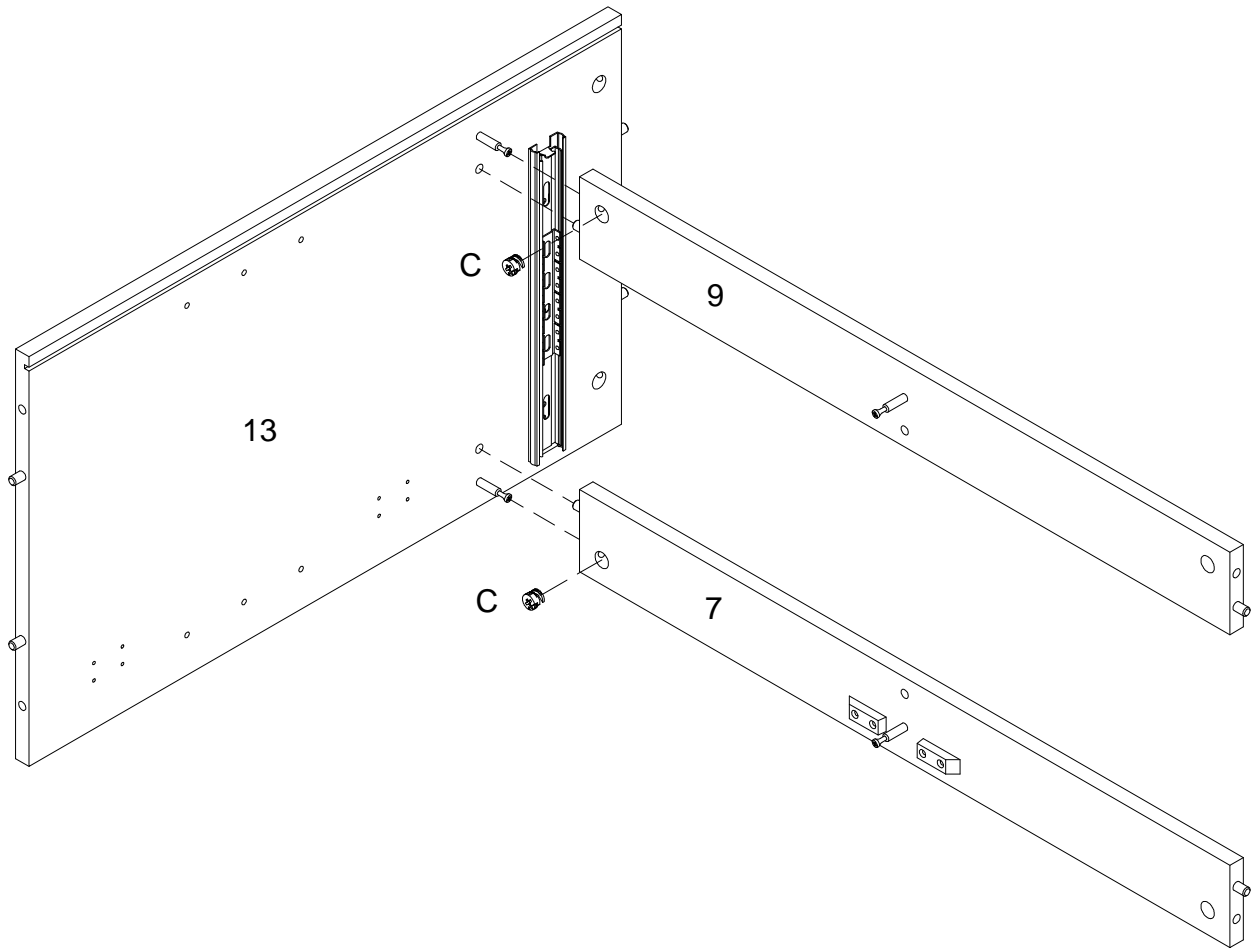
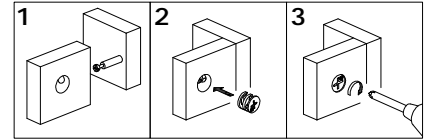
Put part (19) as per diagram.

Step 17



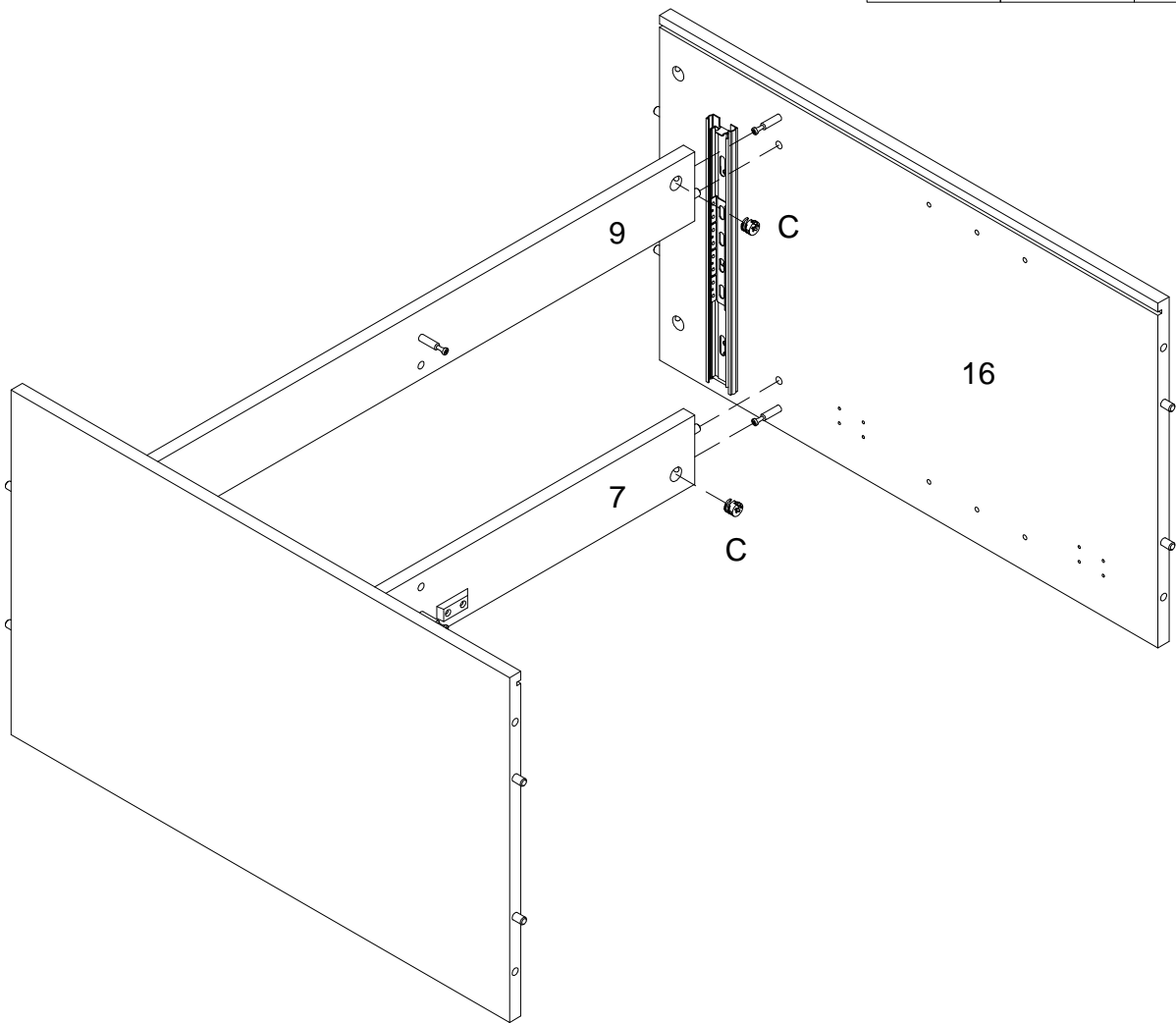
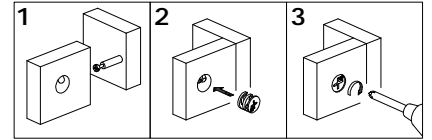
Using cam lock(C) secure part (1) to parts (3,11,14) with Philips head screwdriver as per diagram.

Step 18



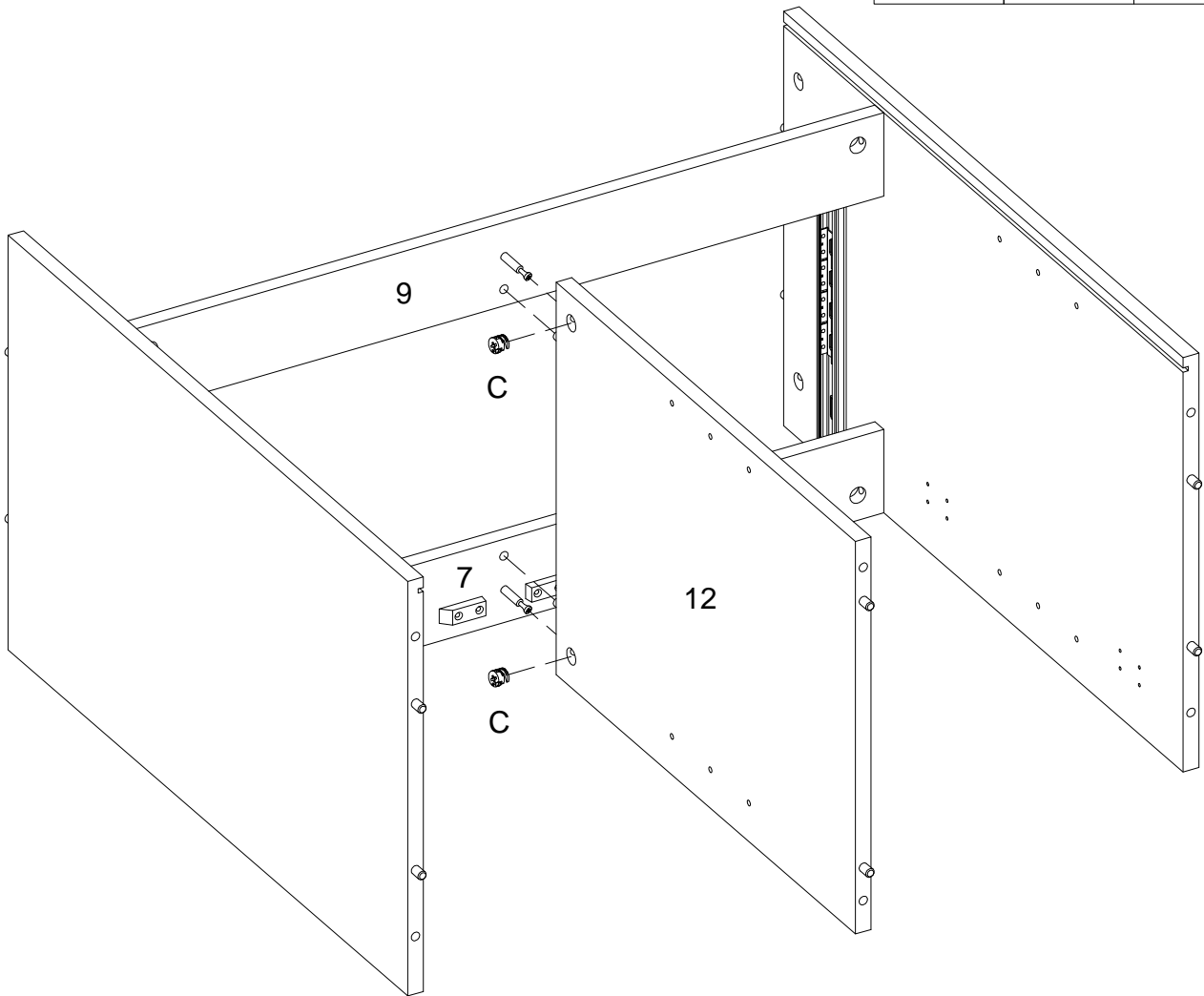
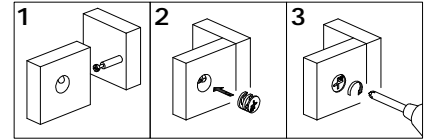
Using cam lock(C) secure parts (7,9) to part (13) with Philips head screwdriver as per diagram.

Step 19



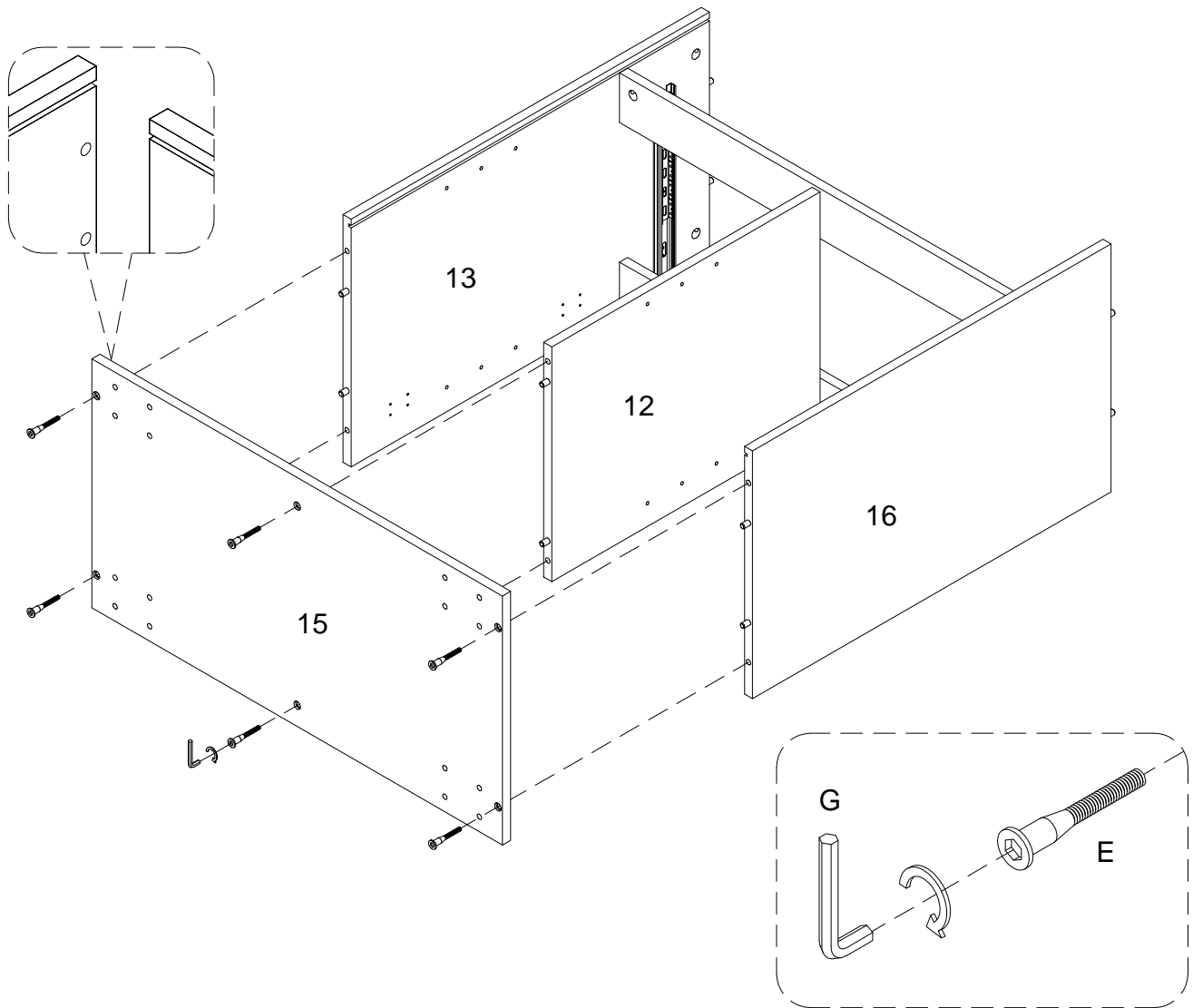
Using cam lock(C) secure parts (7,9) to part (16) with Philips head screwdriver as per diagram.

Step 20



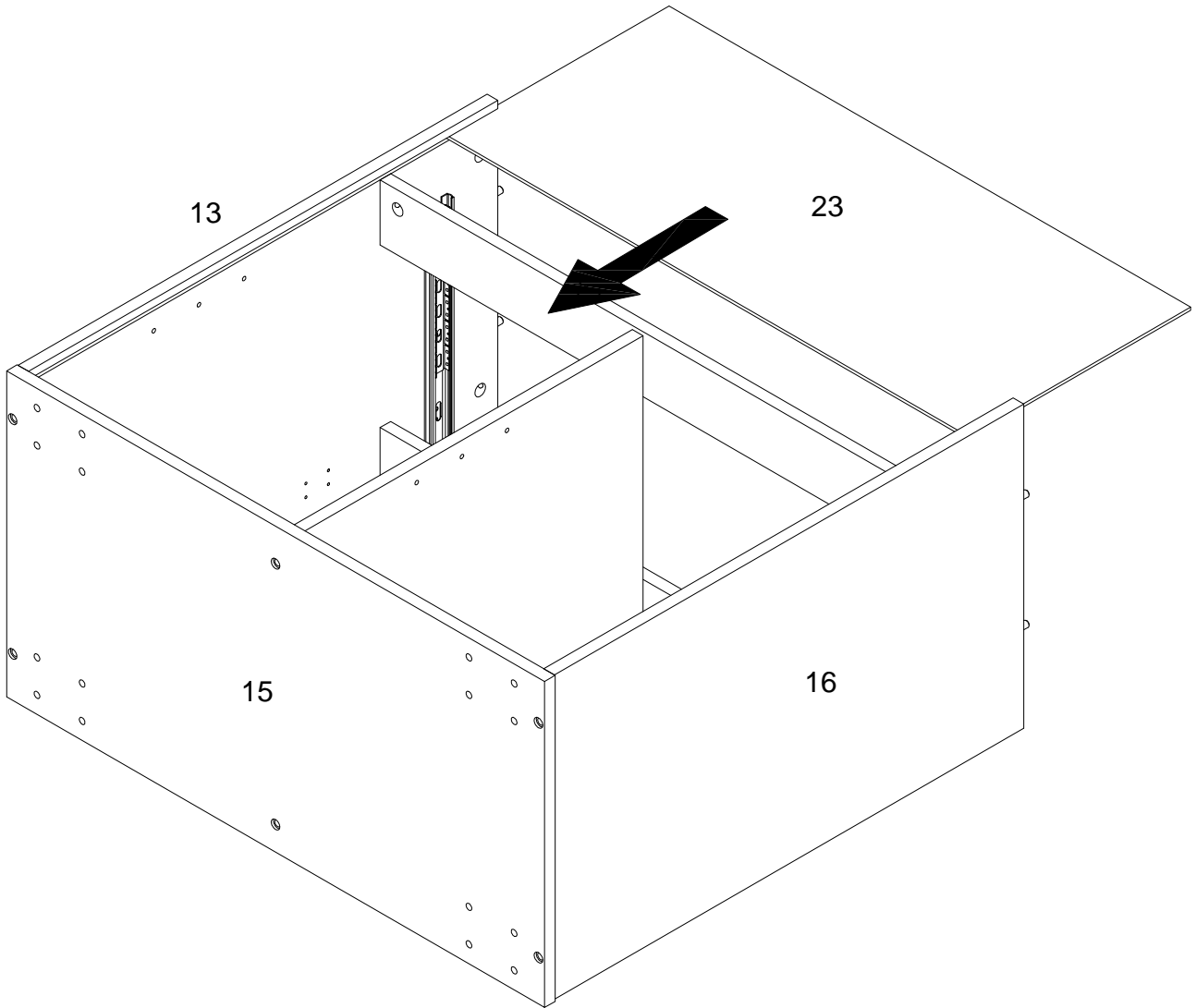
Using cam lock(C) secure parts (7,9) to part (12) with Philips head screwdriver as per diagram.

Step 21



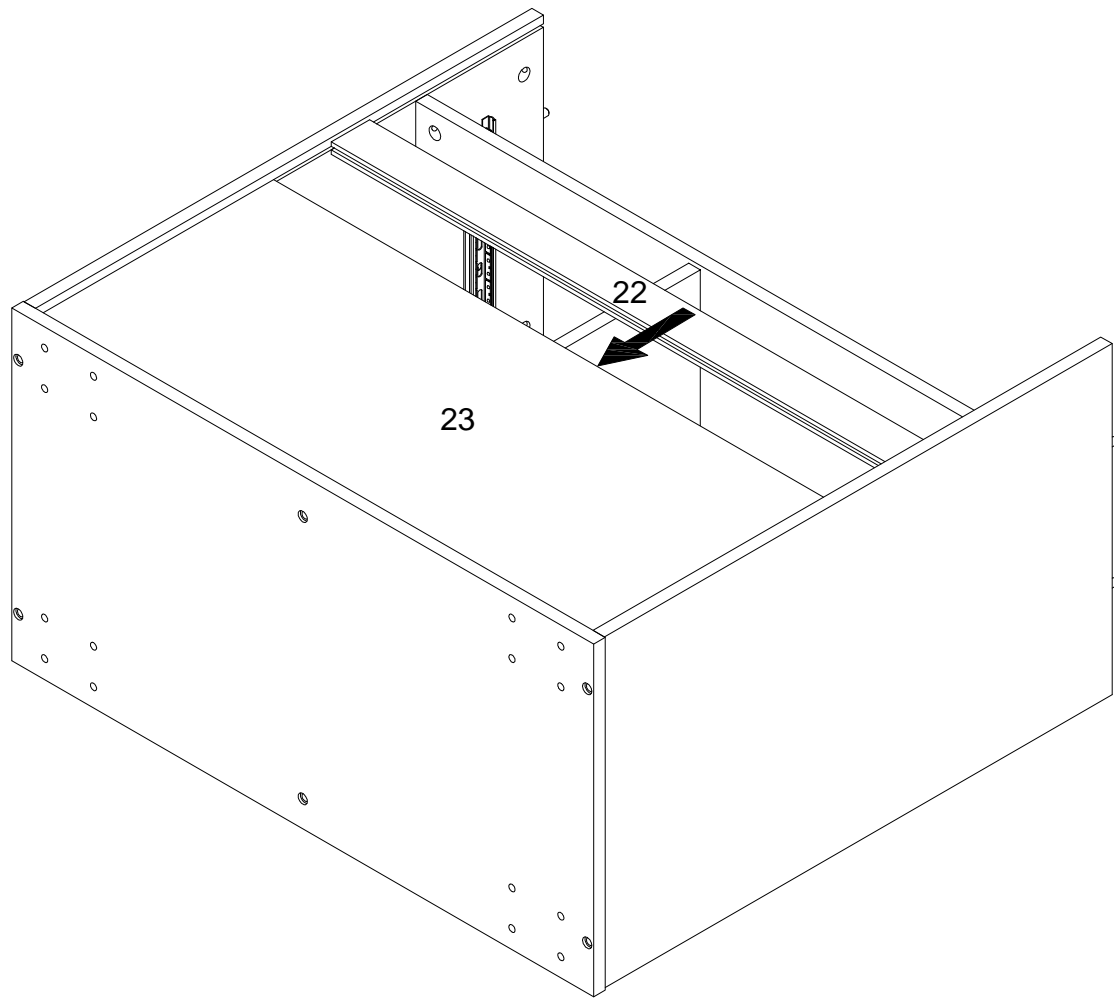
Using bolt (E) attach part (15) into parts (12,13,16) with hex key (G) as per diagram.

Step 22



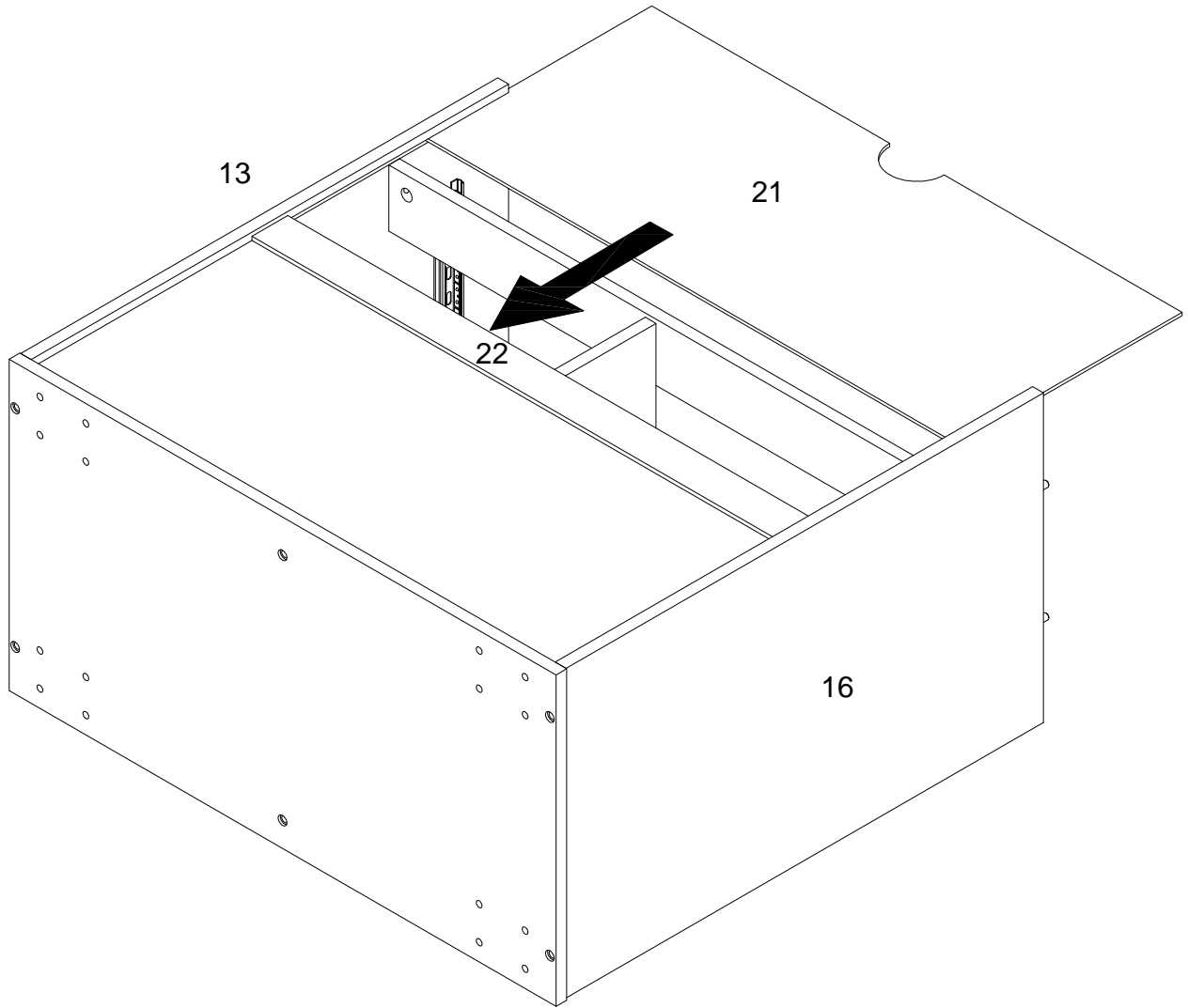
Put part (23) as per diagram.

Step 23



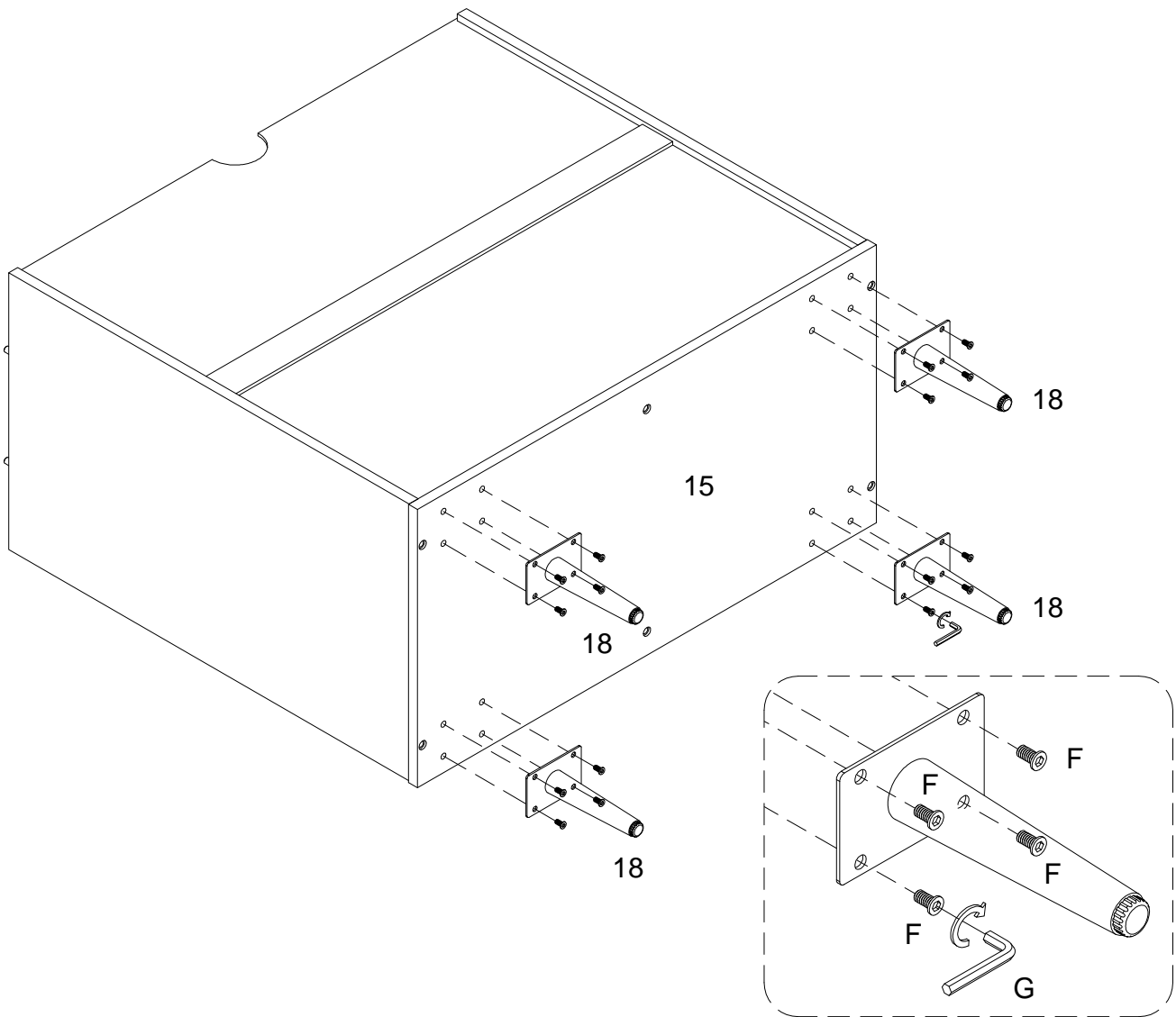
Put part (22) as per diagram.

Step 24



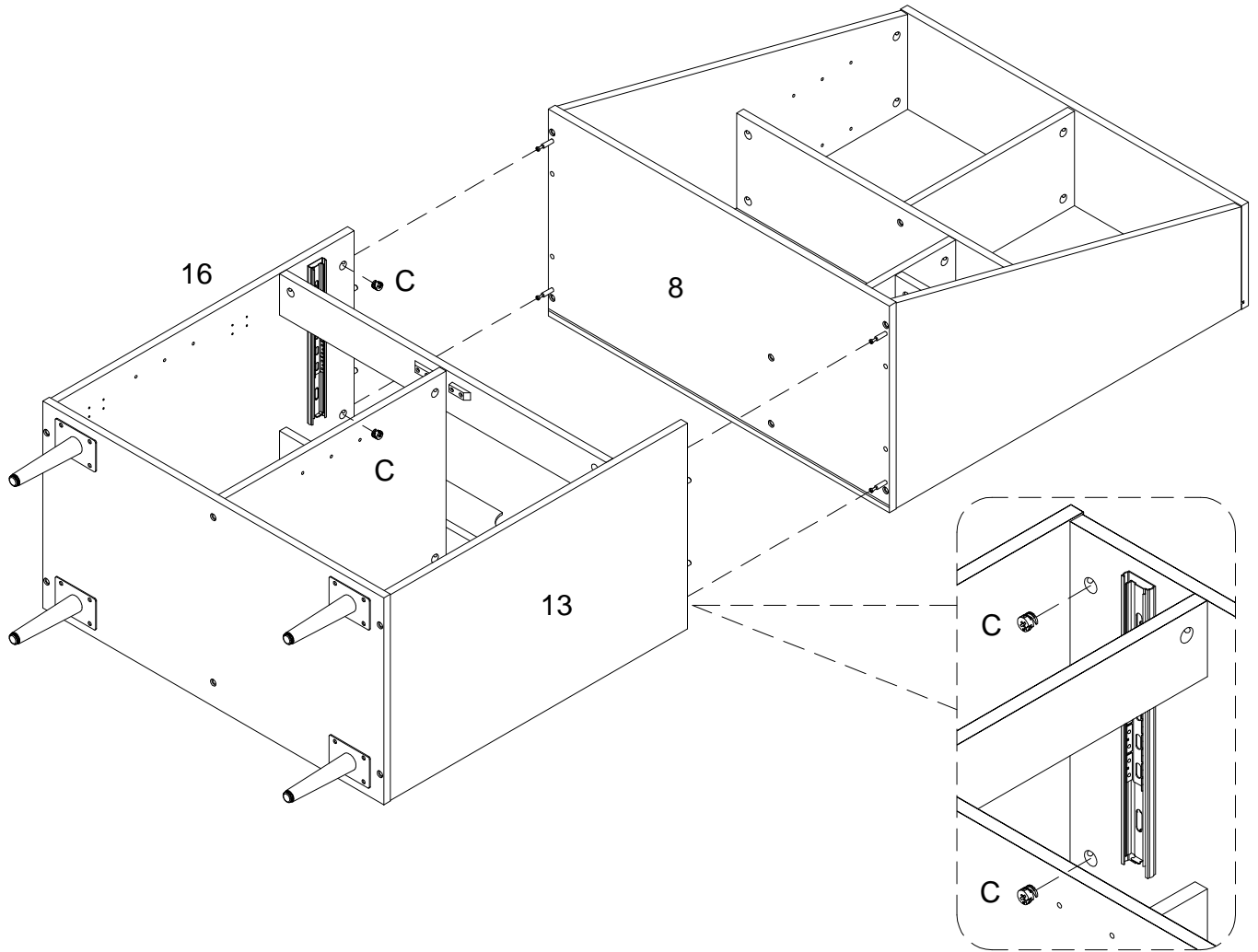
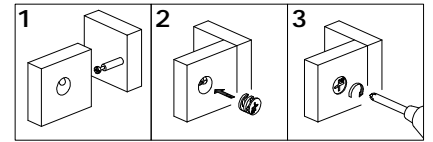
Put part (21) as per diagram.

Step 25



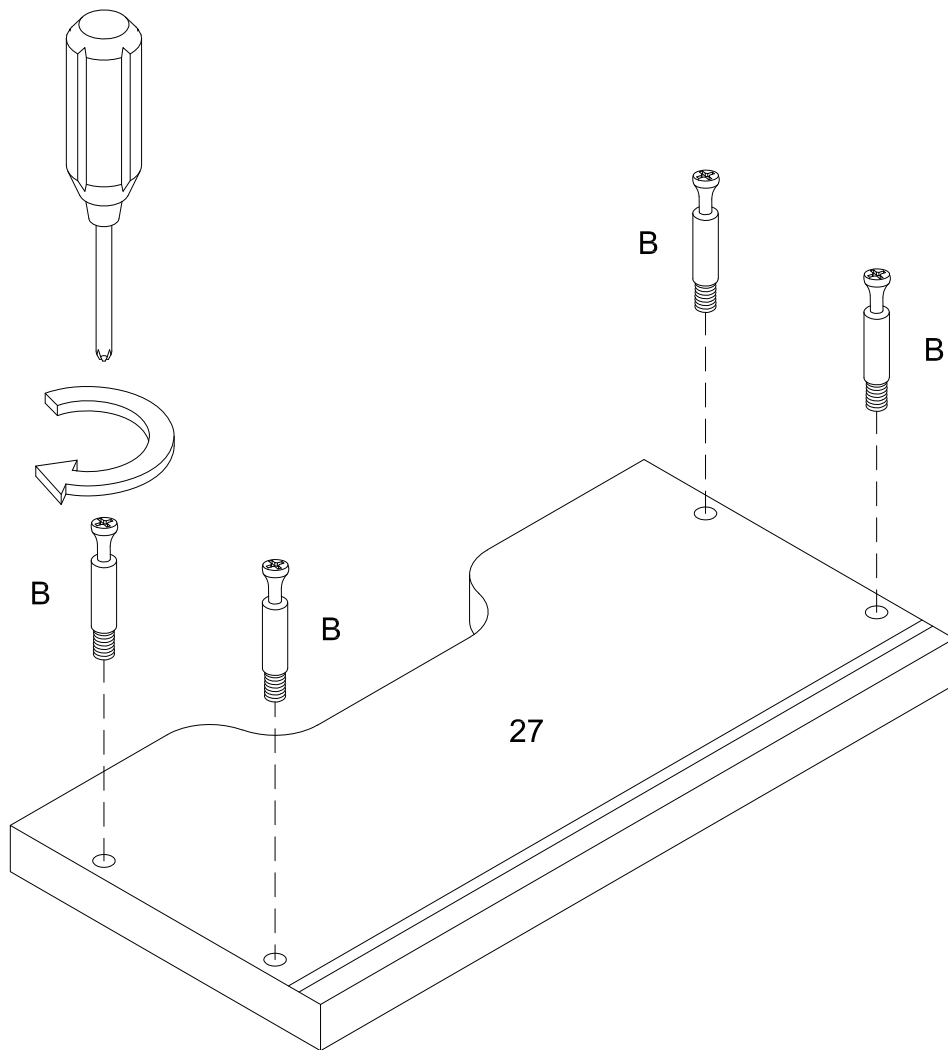
Using bolt (F) attach part (18) into part (15) with hex key (G) as per diagram.

Step 26



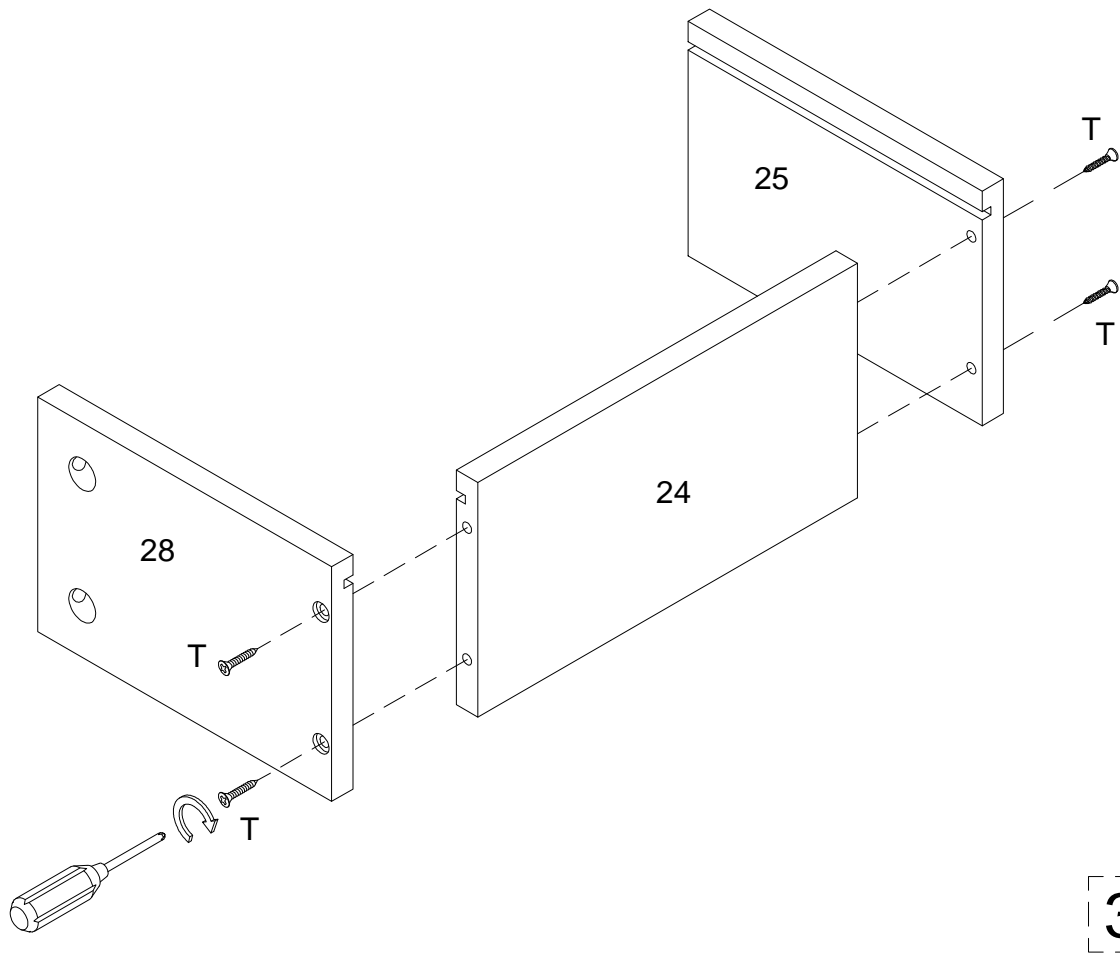
Using cam lock(C) secure parts (8) into parts (13,16) with Philips head screwdriver as per diagram.

Step 27



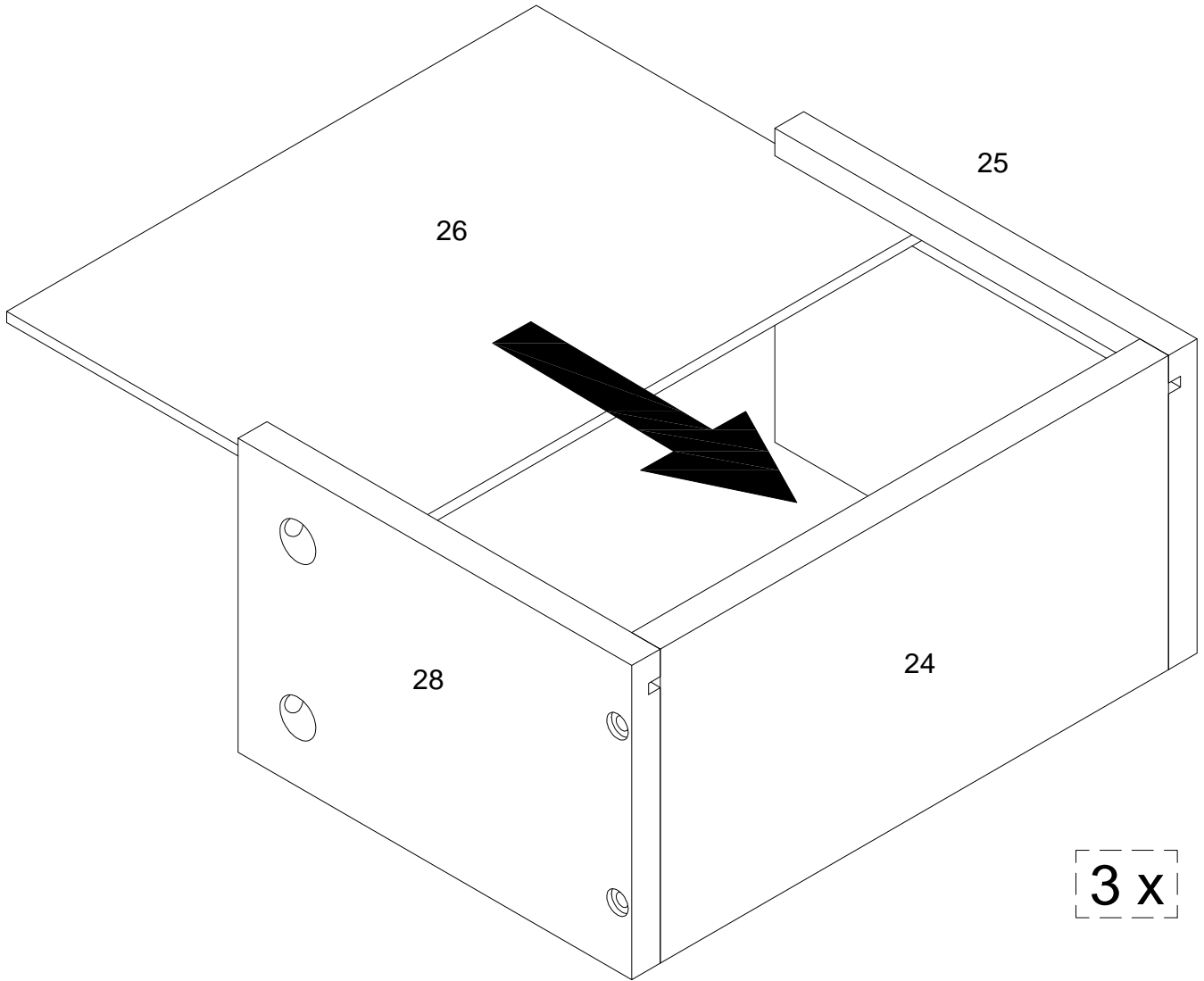
Secure cam bolt (B) into part (27) as per diagram.

Step 28



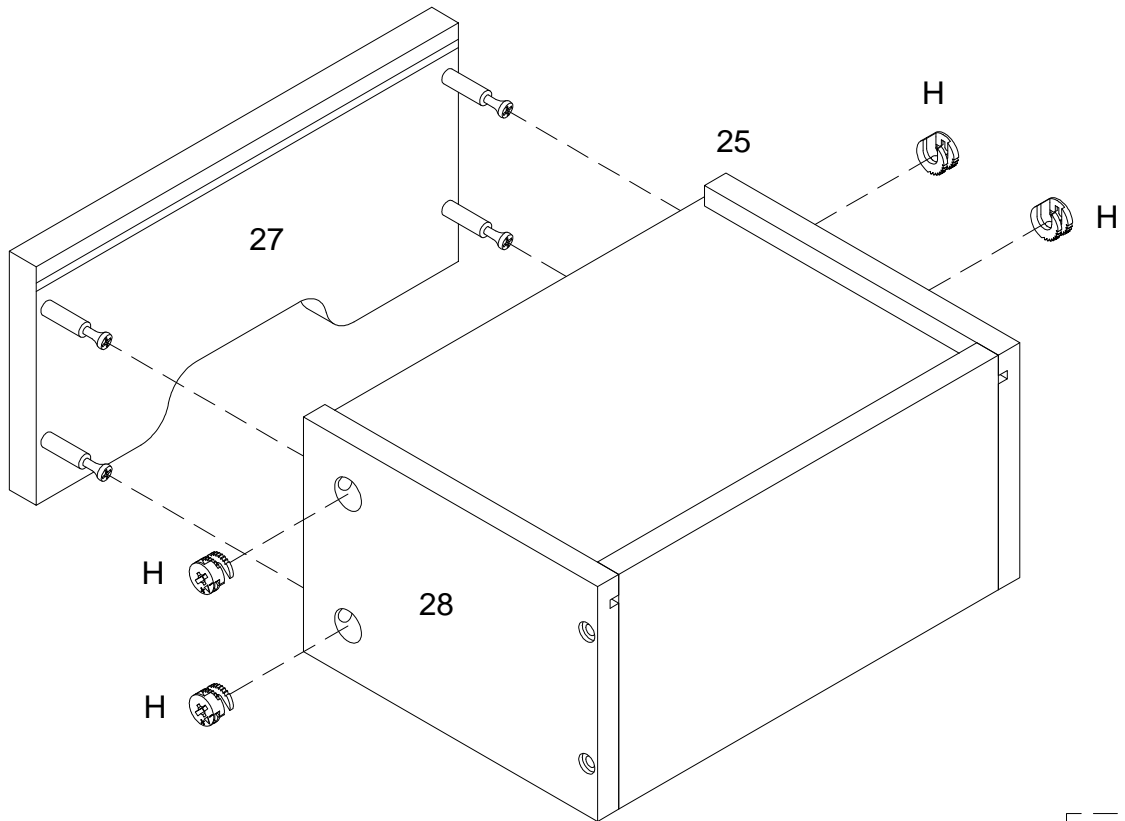
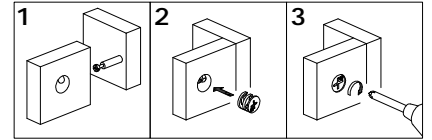
Using screw (T) attach parts (25,28) into part (24) with Philips head screwdriver as per diagram.

Step 29



Put part (26) as per diagram.

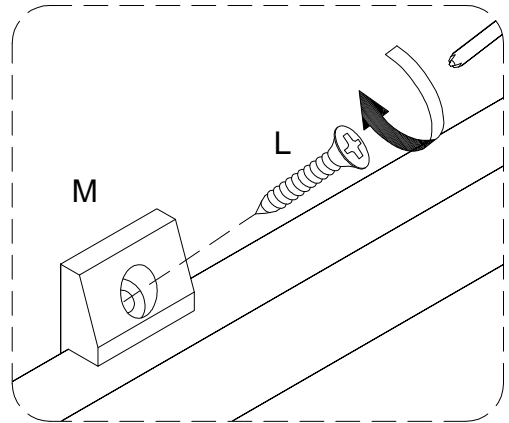
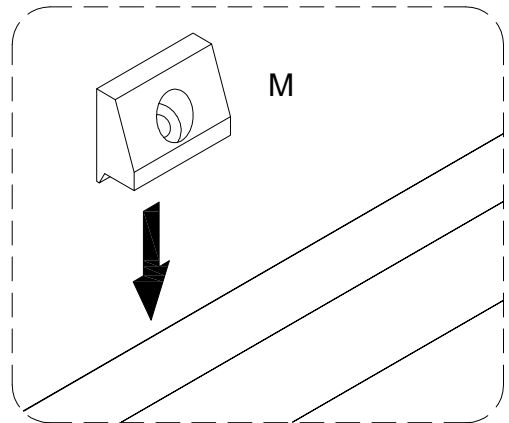
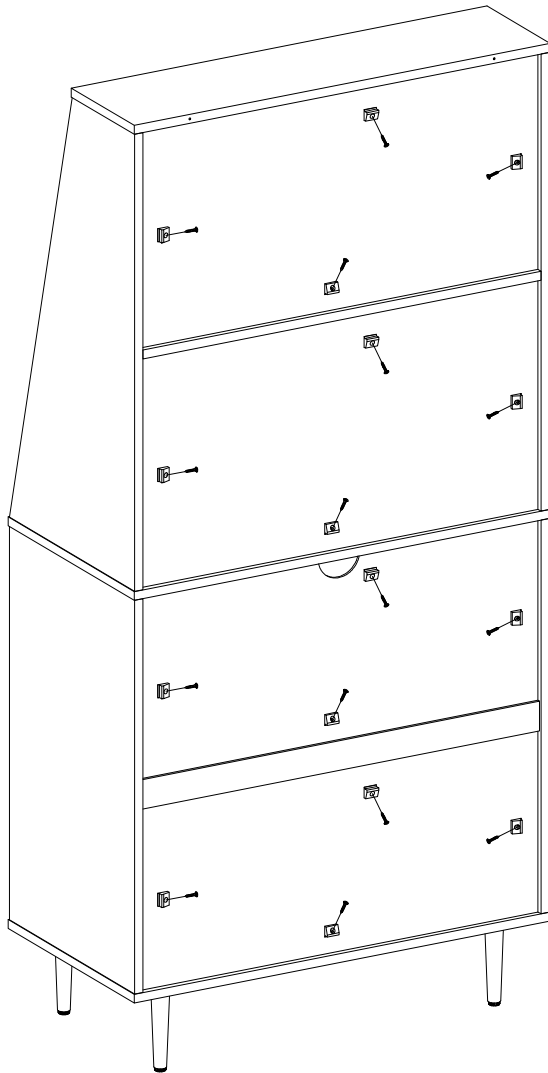
Step 30



3 x

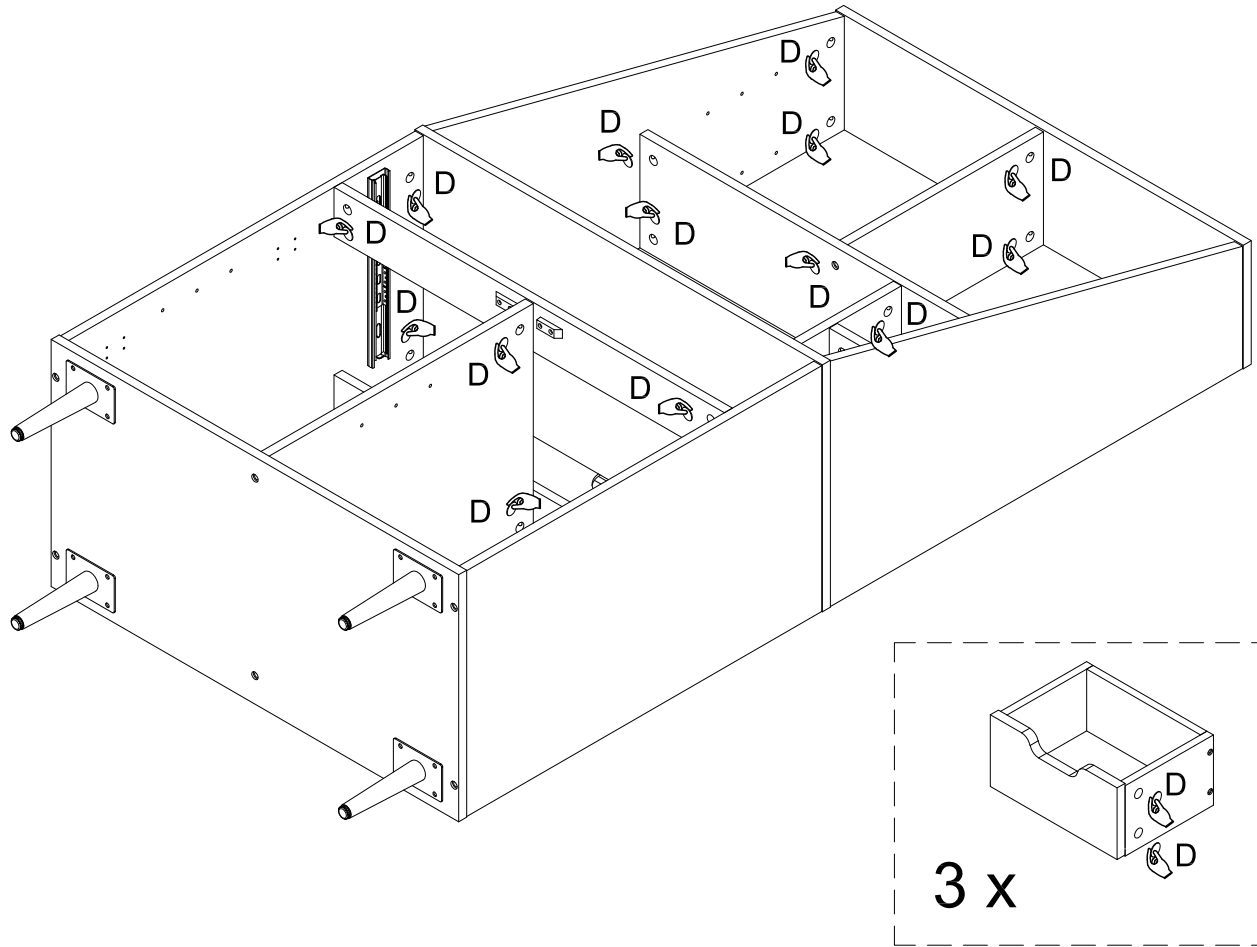
Using cam lock(H) secure part (27) into parts (25,28) with Philips head screwdriver as per diagram.

Step 31



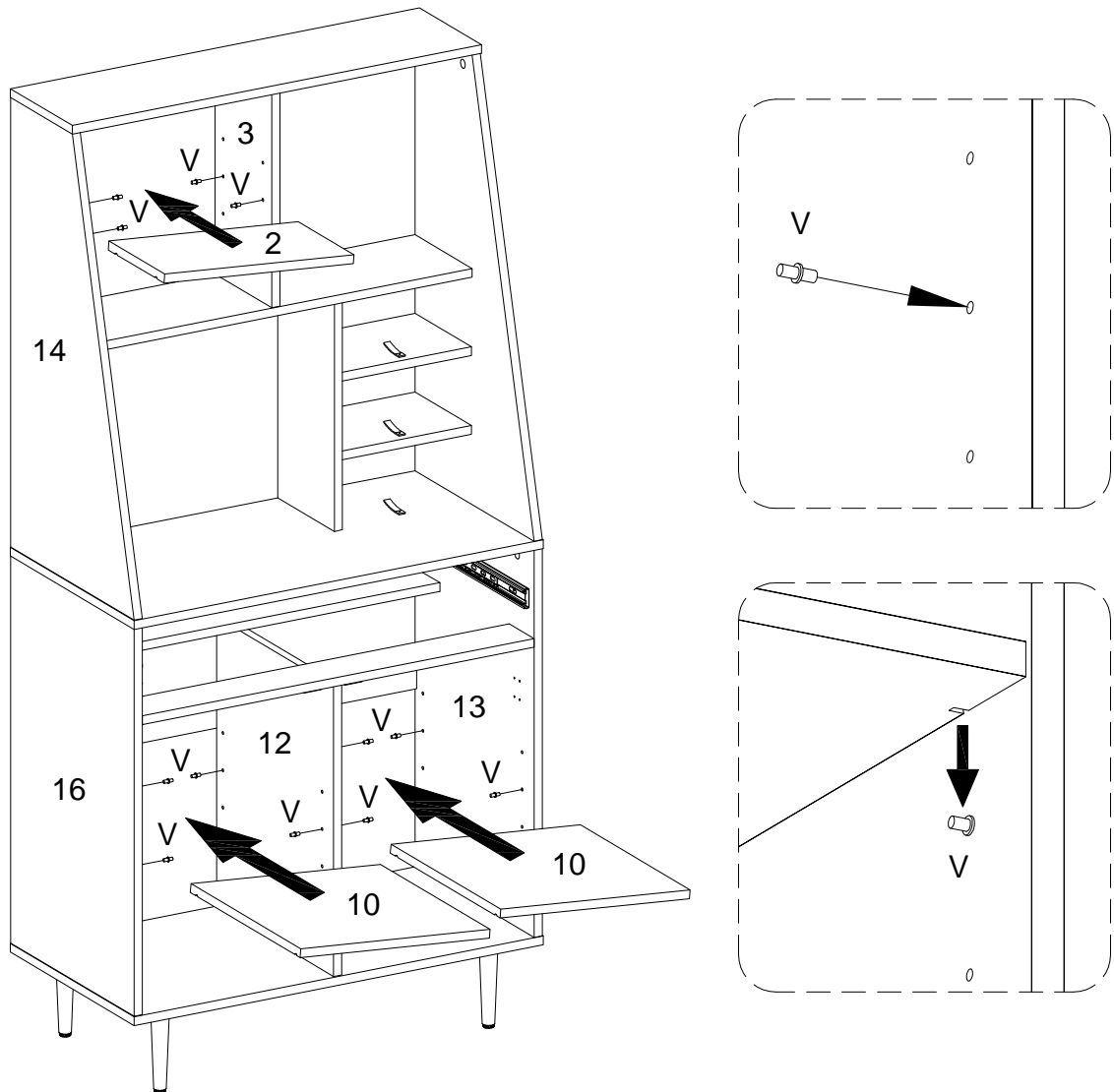
Using screw (L) secure plastic wedge (M) with Philips head screwdriver as per diagram.

Step 32



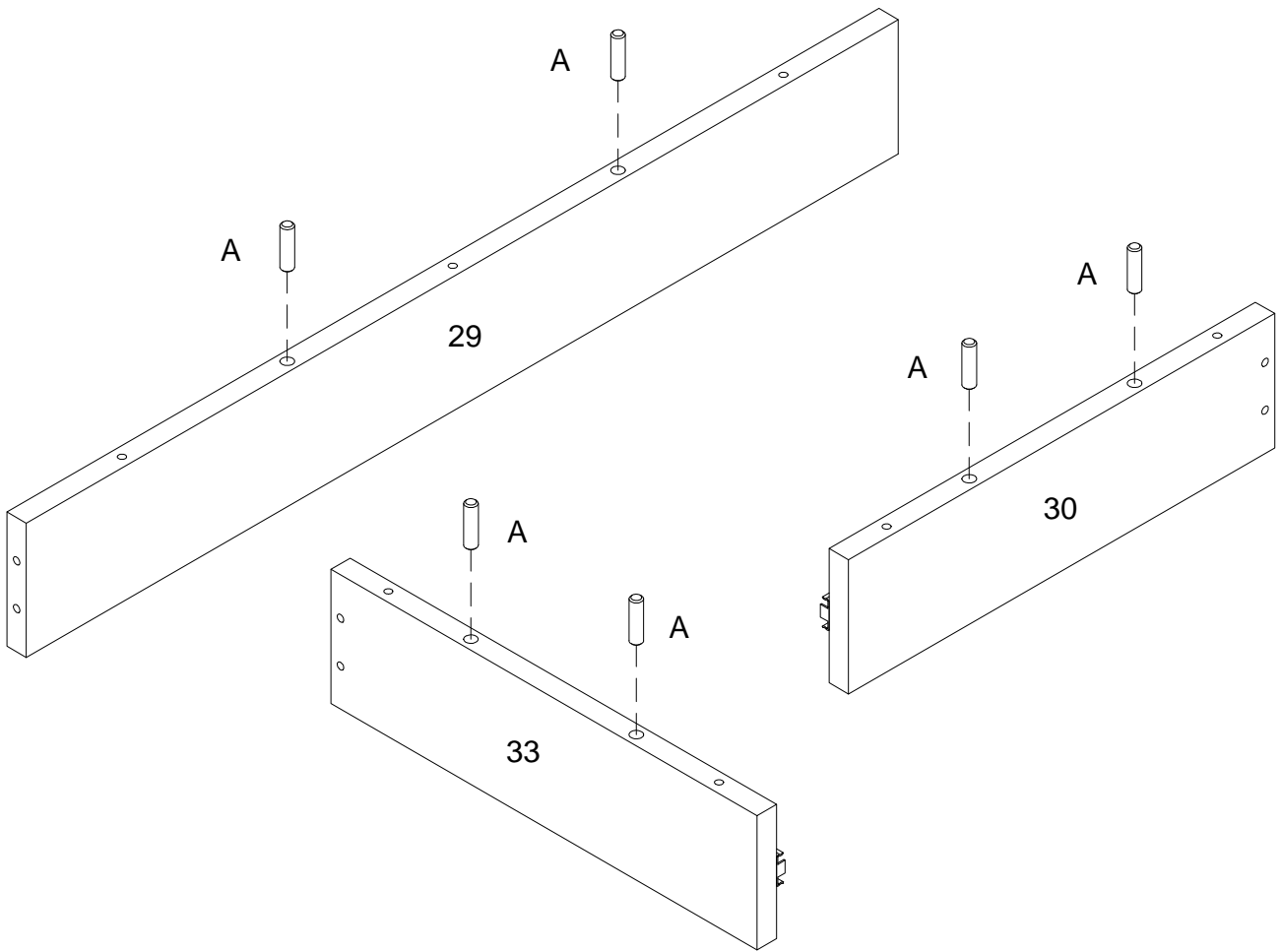
Place sticker (D) cover the holes as per diagram .

Step 33



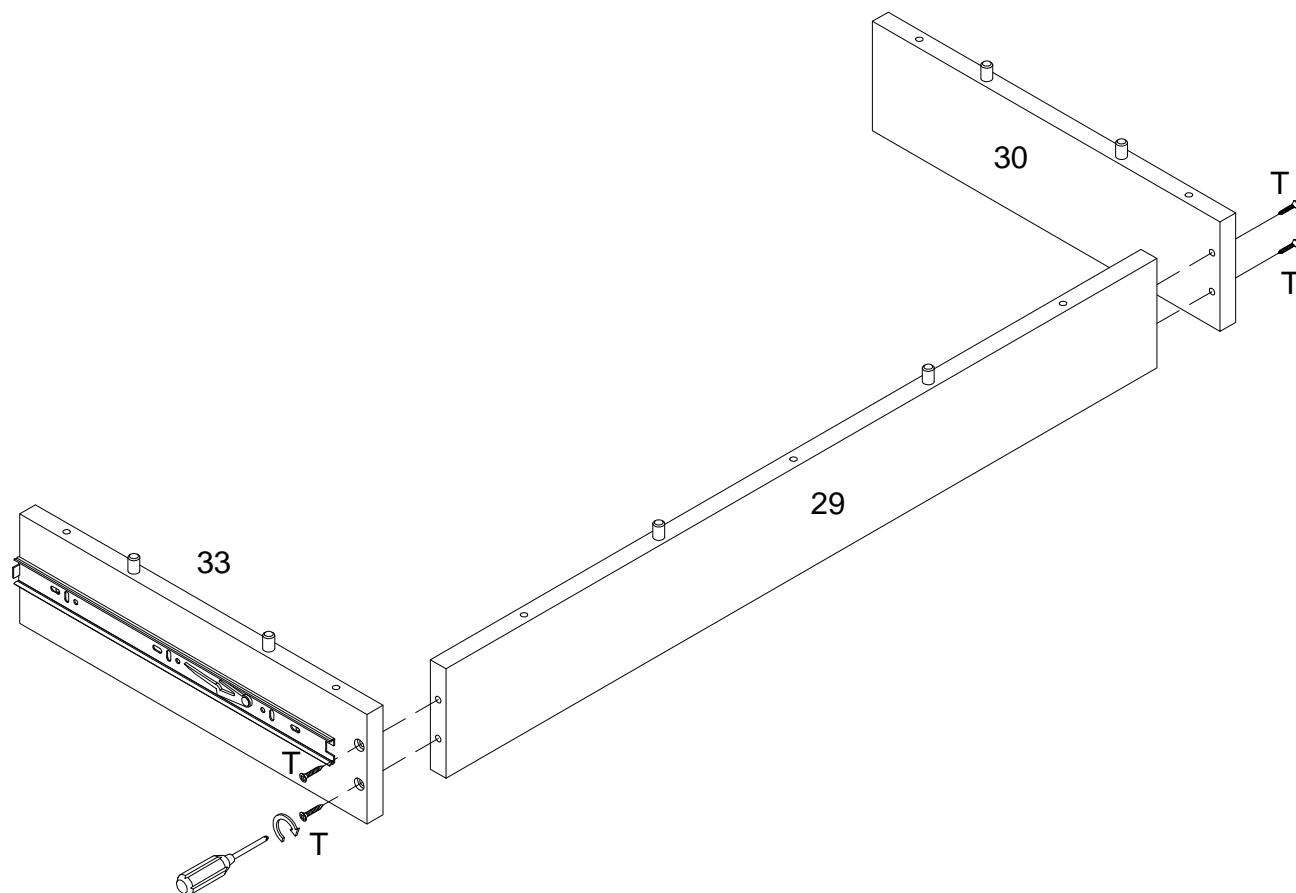
Insert shelf support pin (V) into parts (3,12,13,14,16) as per diagram. Make sure you place the four shelf support pins (V) in the same level. So the shelf is not tilted. Put parts (2,10) into unit as per diagram. Tilt and rest the adjustable shelf (2,10) onto the shelf support pins.

Step 34



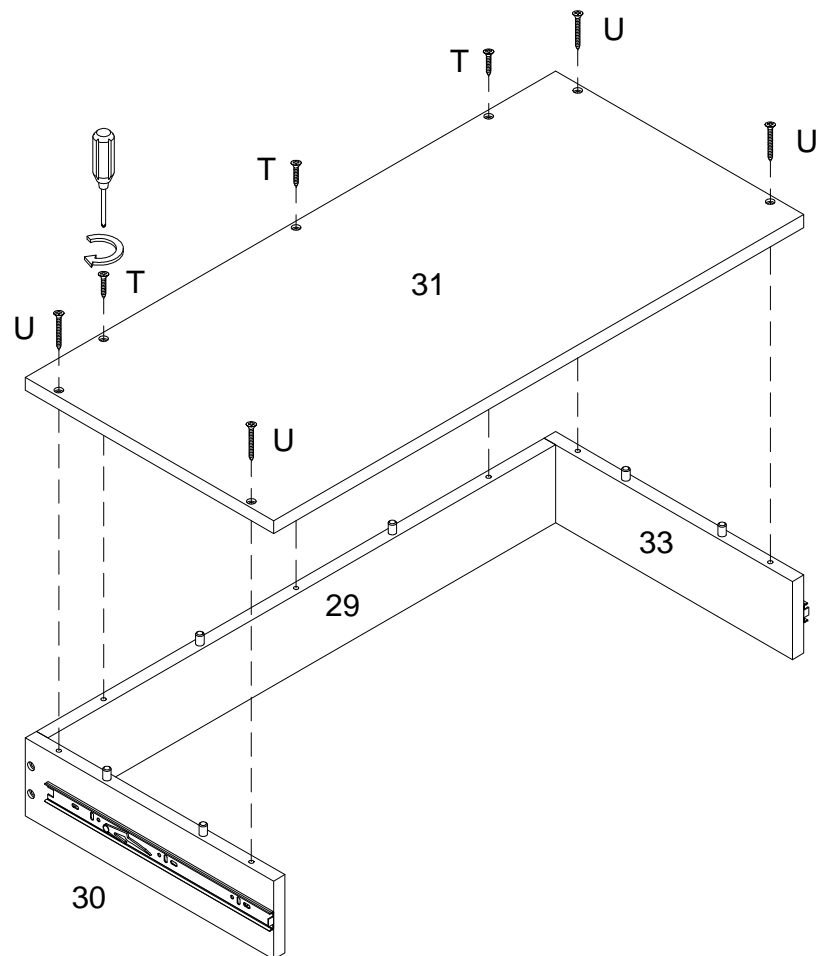
Insert wooden dowel (A) into parts (29,30,33) as per diagram.

Step 35



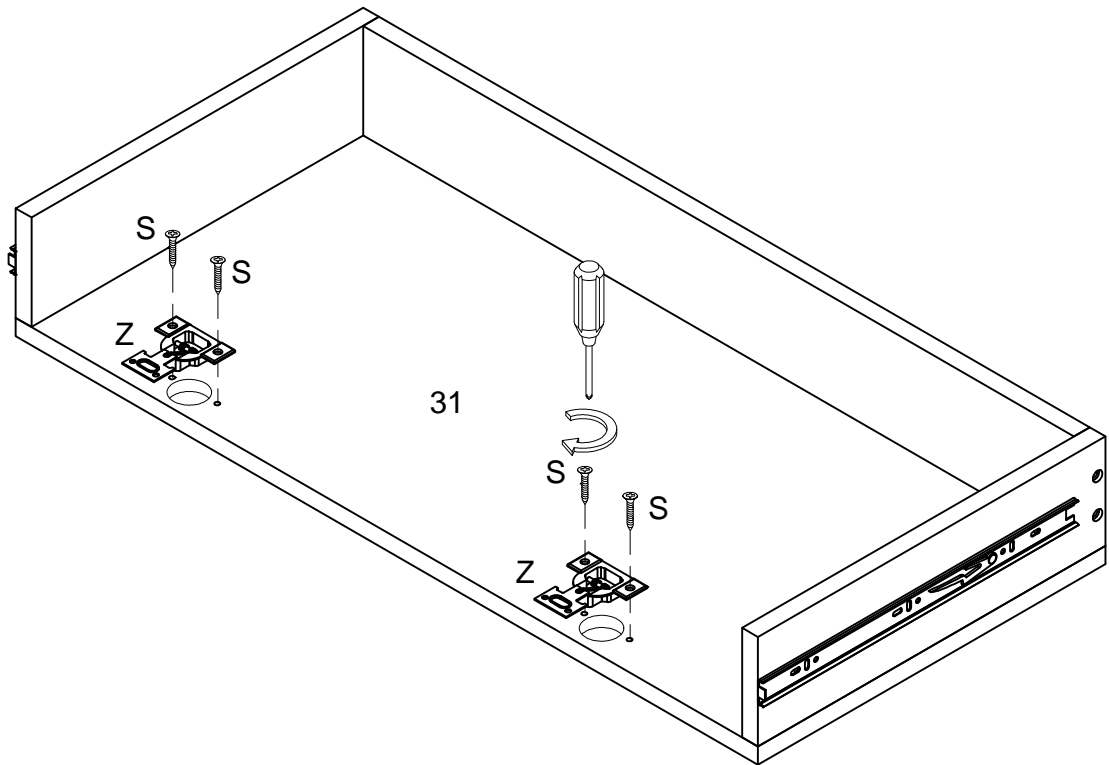
Using screw (T) secure parts (30,33) into part (29) with Philips head screwdriver as per diagram.

Step 36



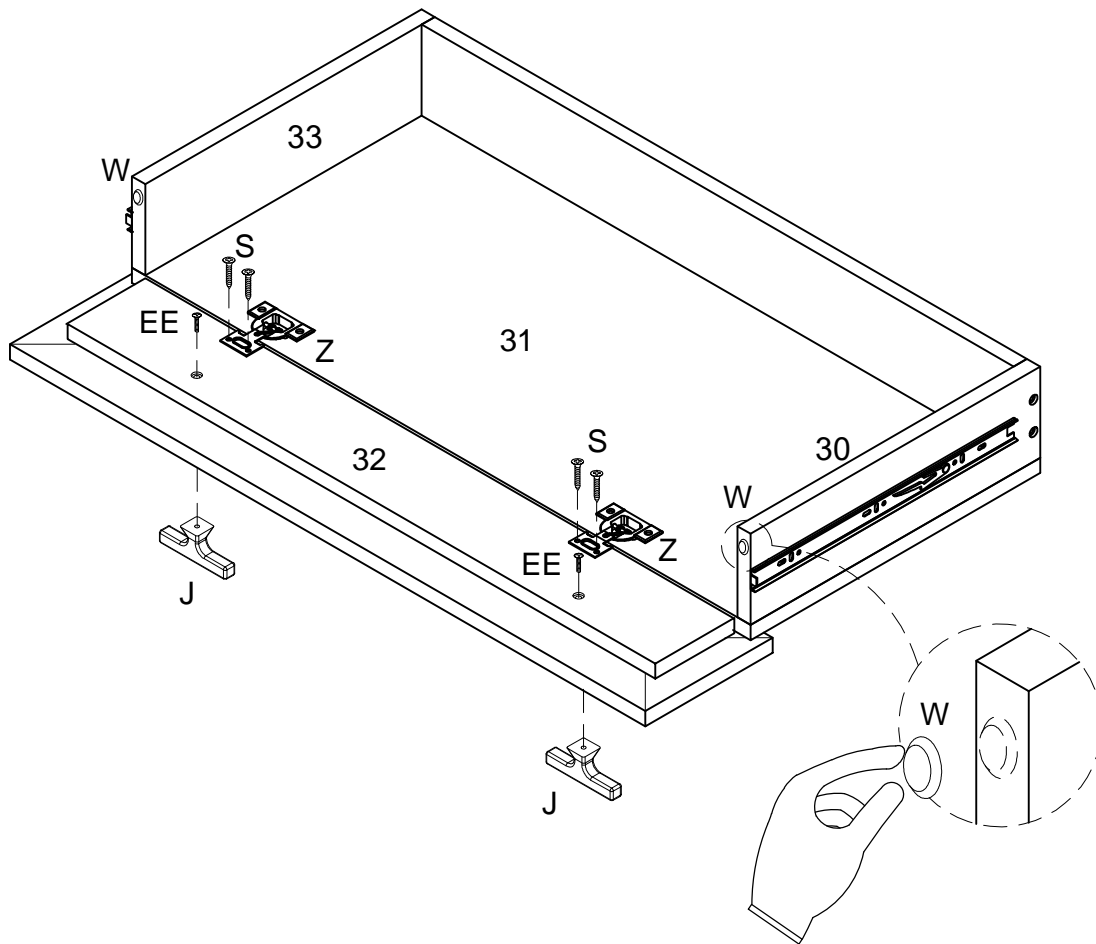
Using screw (U) secure part (31) into parts (30,33) ,then using screw (T) secure part (31) into part (29) with Philips head screwdriver as per diagram.

Step 37



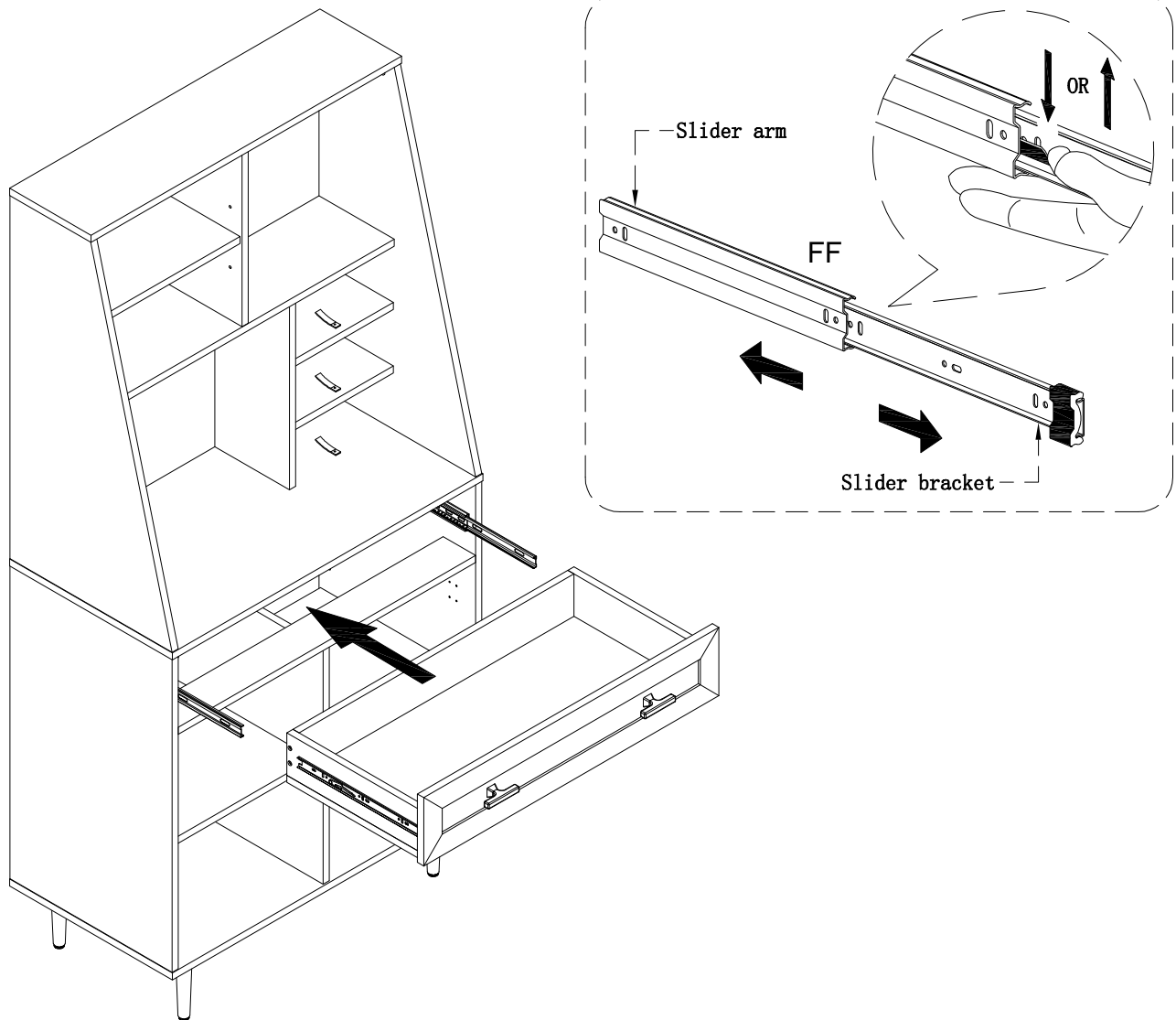
Using screw (S) attach Europe hinge (Z) into part (31) as per diagram.

Step 38



Using screw (S) attach Europe hinge (Z) into part (32) ,then using handle bolt (EE) attach handle (J) into part (32) with Philips head screwdriver as per diagram. Cling the rubber pad (W) to the parts (30,33) as per diagram

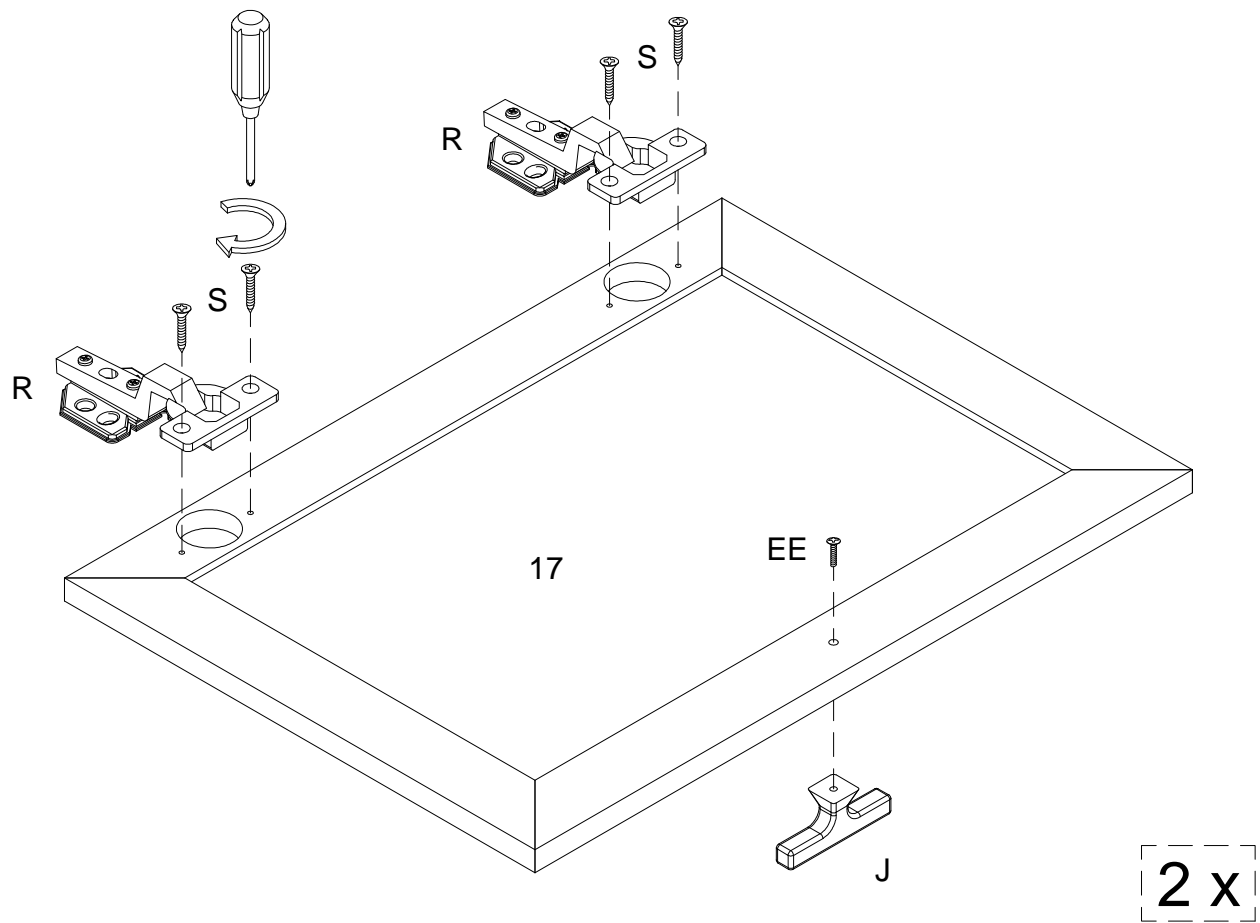
Step 39



Insert the assembled drawers into the unit frame, extend the Ball Bearing Slide Tracks (FF) on the pedestal Side Panel all the way forward. Then align the Slide Runners on the assembled drawers with the Slide Tracks and push the drawer carefully inside until it stops.

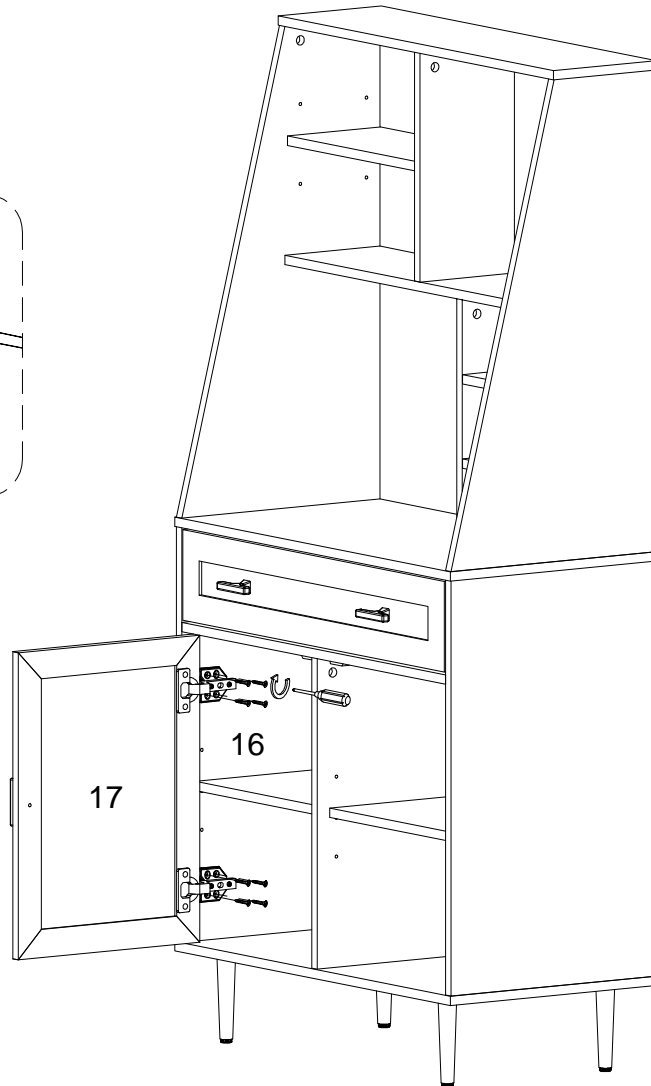
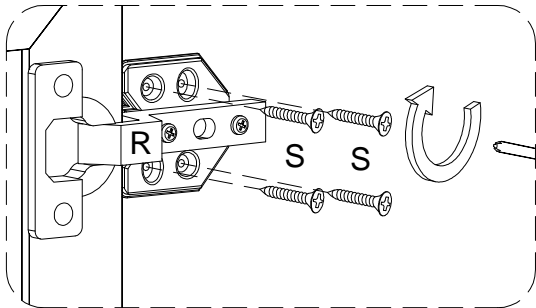
Note : if the drawer does not go in smoothly, please take it out and repeat the step. If you need to remove the drawer, please pull the drawer all the way out, then push the plastic release lever of the ball bearing slide up on one side and down on the other side, and then pull it completely out.

Step 40



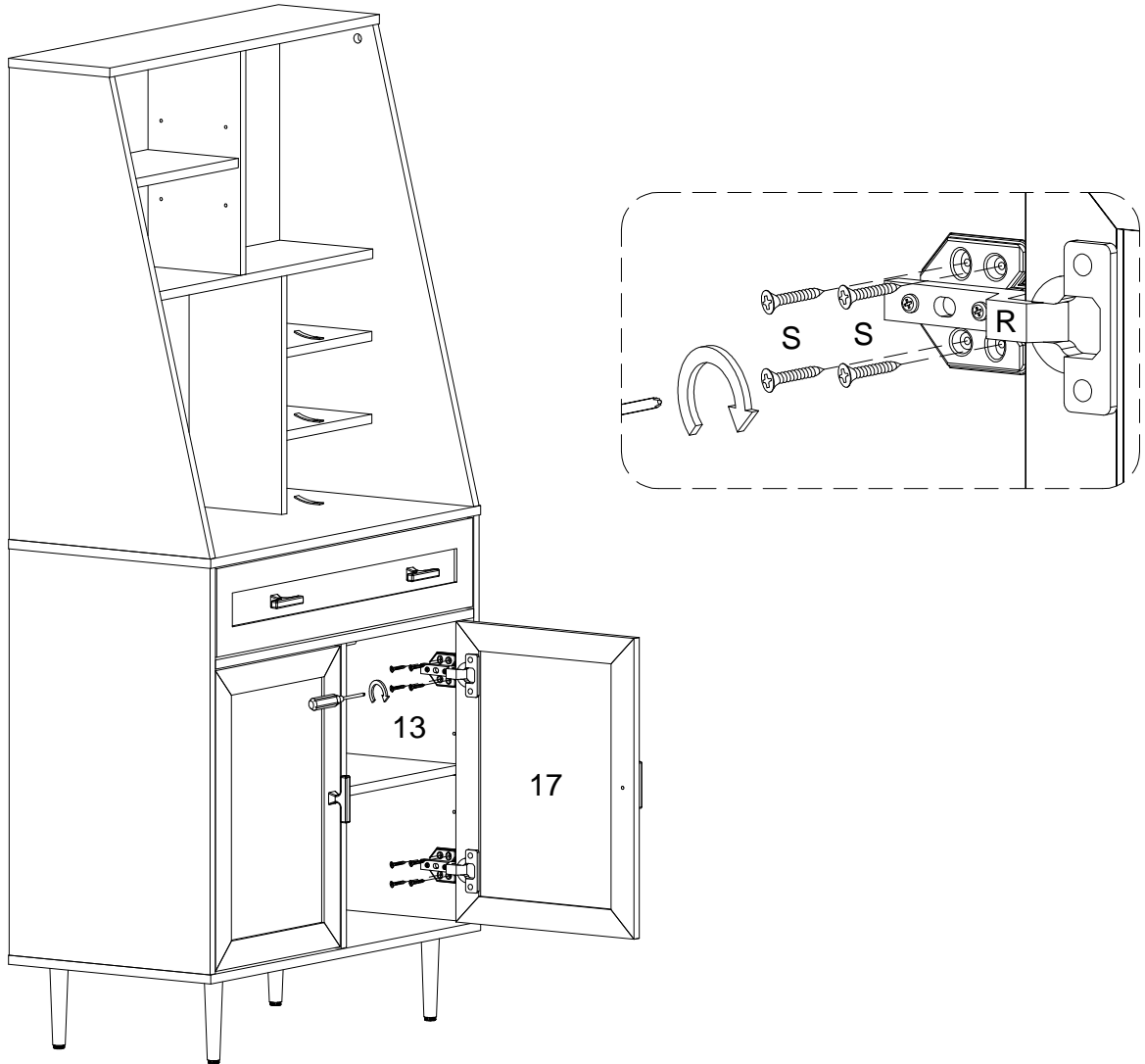
Using screw (S) attach West hinge (R) into part (17) ,then using bolt (EE) attach handle (J) into part (17) with Philips head screwdriver as per diagram.

Step 41



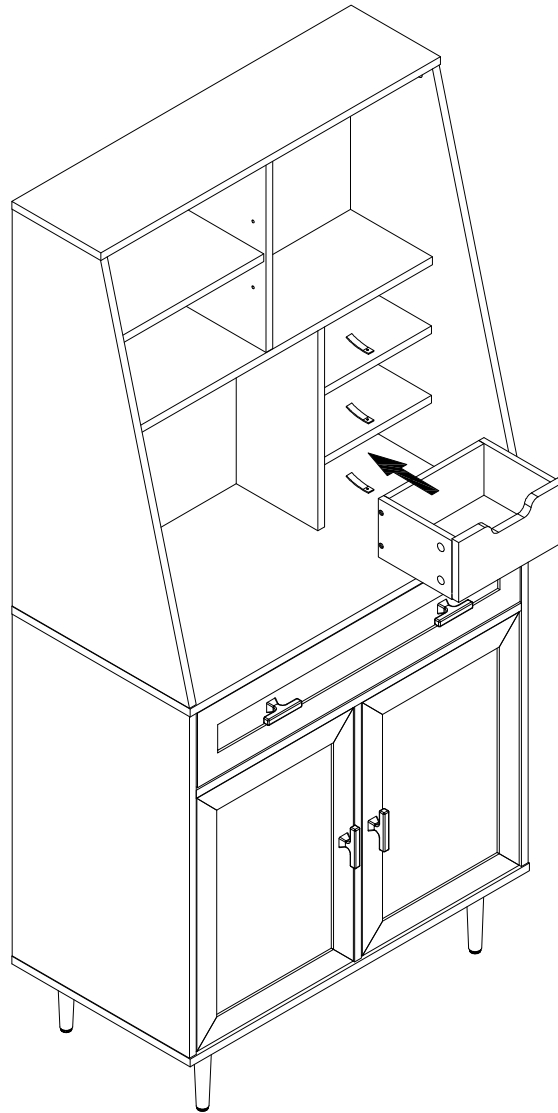
Using screw (S) attach West hinge (R) into part (16) with Philips head screwdriver as per diagram.

Step 42



Using screw (S) attach West hinge (R) into part (13) with Philips head screwdriver as per diagram.

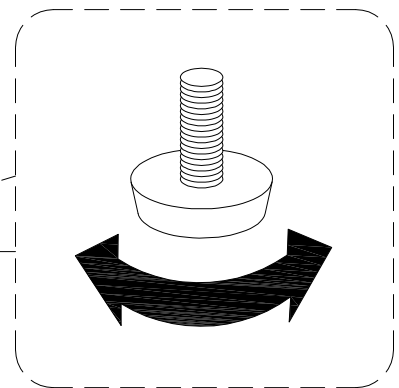
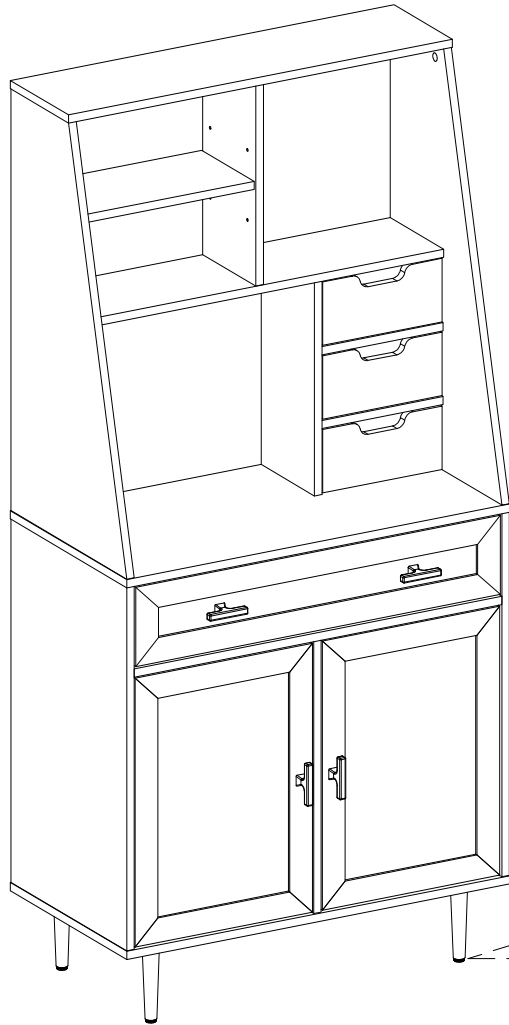
Step 43



3 x

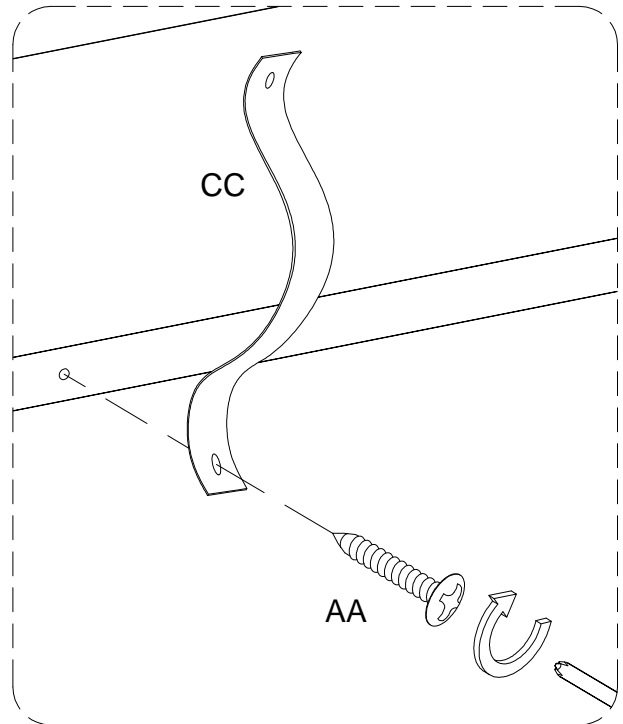
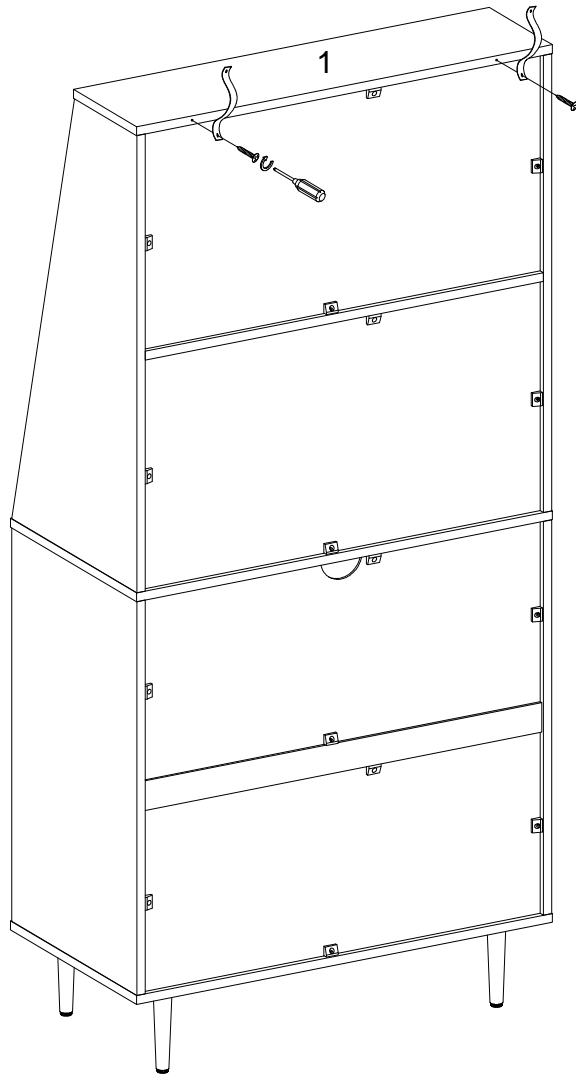
Put drawers into unit as per diagram.

Step 44



If necessary, adjust the floor Levelers at the bottom of metal legs to level the unit.

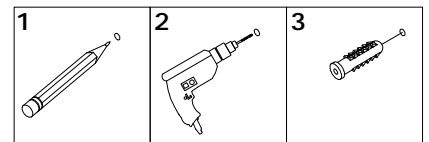
Step 45



Using screw (AA) attach plastic strap (CC) into part (1) with Philips head screwdriver as per diagram.

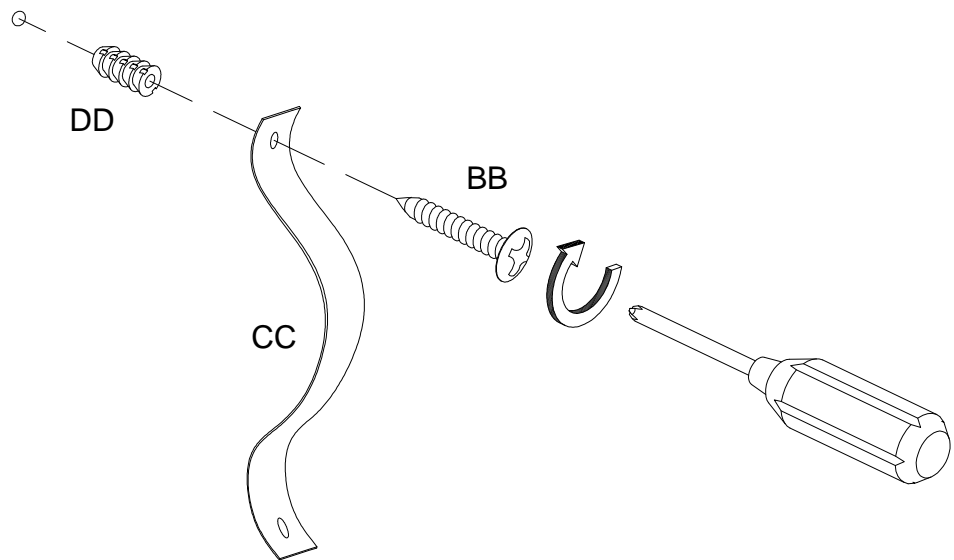
Step 46

WARNING



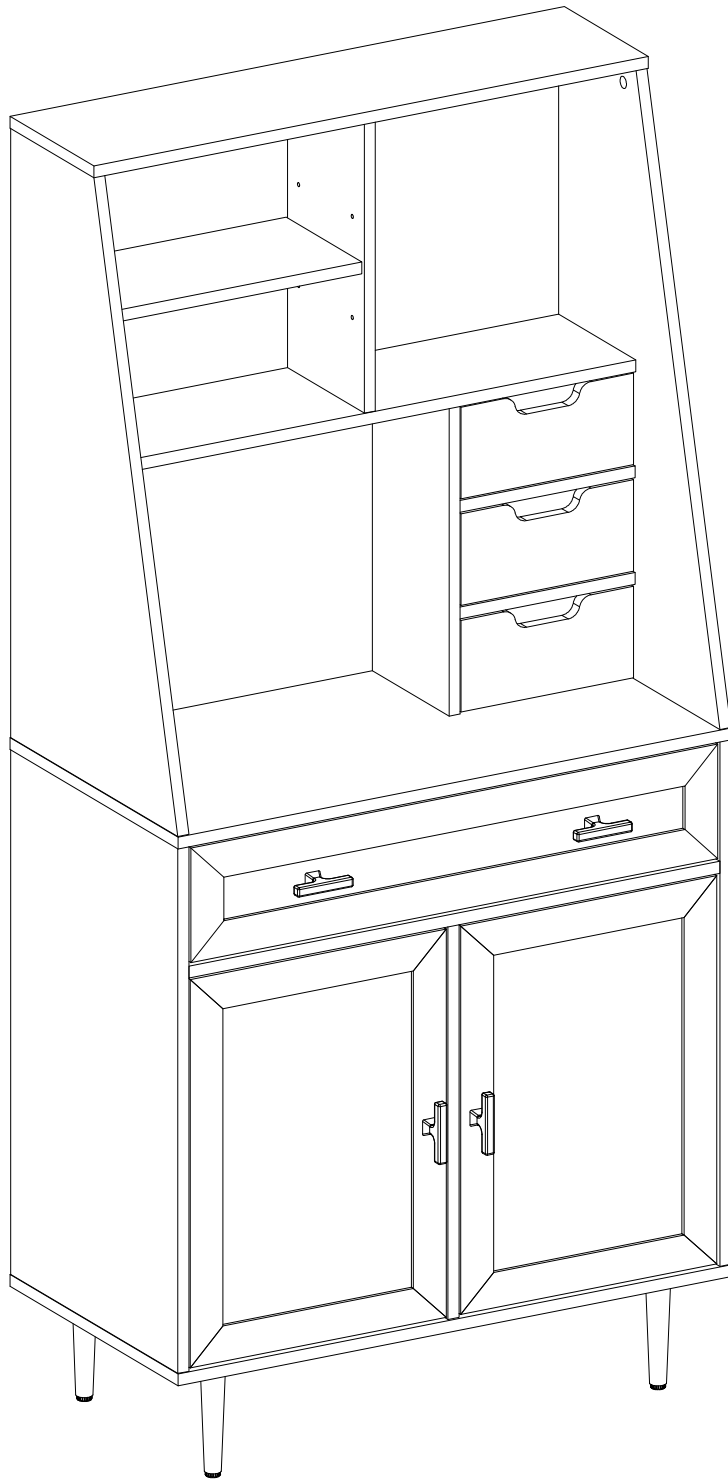
Serious or fatal injuries can occur from furniture tipping over. To prevent the furniture from tipping over we recommend that it is permanently fixed to the wall. Wall anchor and hardware are included with this product. Please make sure hardware is suitable for your walls before installing, as different wall materials may require different types of anchors.

Wall



Using screw (BB) attach plastic strap (CC) into nut (DD) to wall with Philips head screwdriver as per diagram.

Step 47



Final Assembly