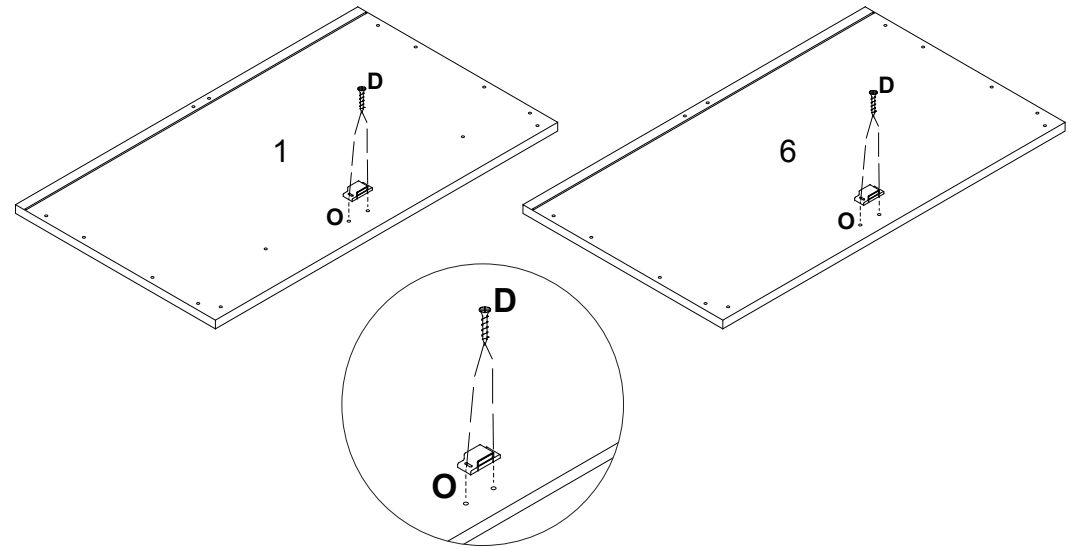


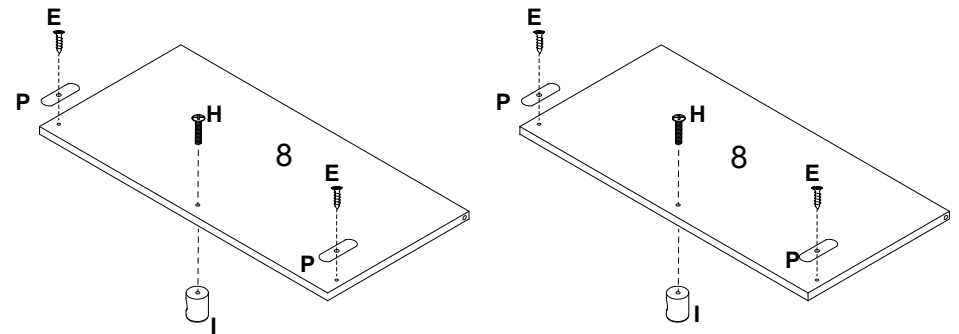
1 On piece 1 & 6, secure the catch (O) using screws (D). Use the pre-drilled holes for guidance.



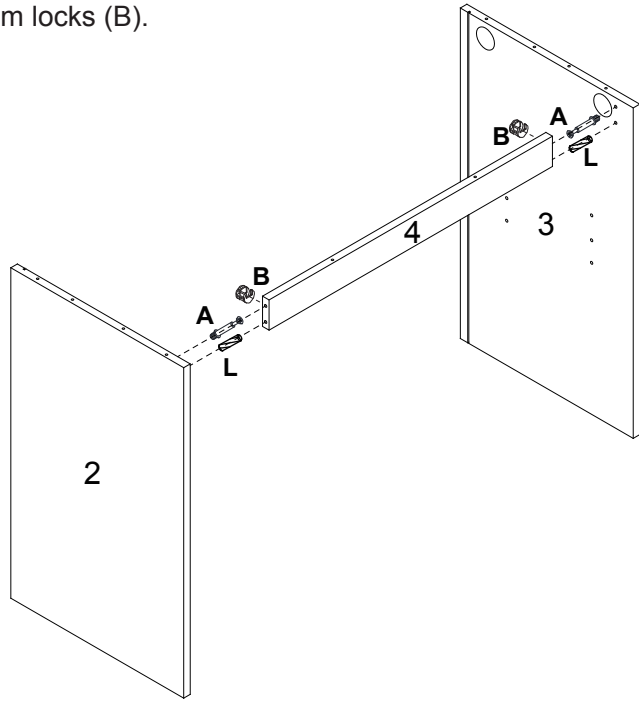
A		10 PCS
B		10 PCS
C		6 PCS
D		12 PCS
E		4 PCS
F		2 PCS
G		2 PCS
H		2 PCS
I		2 PCS
J		8 PCS
K		6 PCS

L		10 PCS
M		4 PCS
N		4 PCS
O		2 PCS
P		4 PCS
Q		2 PCS
R		2 PCS
S		1 PC
T		8 PCS

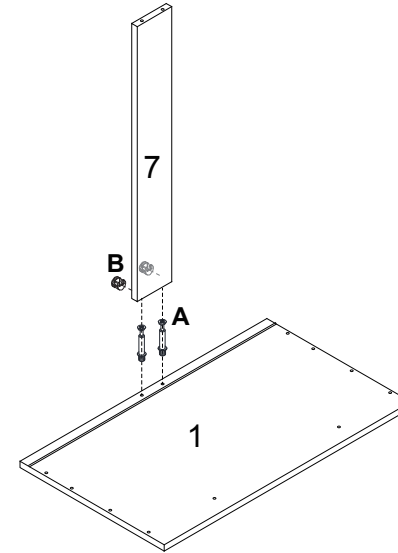
2 On piece 8, attach the plates (P) using screws (E), attach the door handles (I) using screws (H).



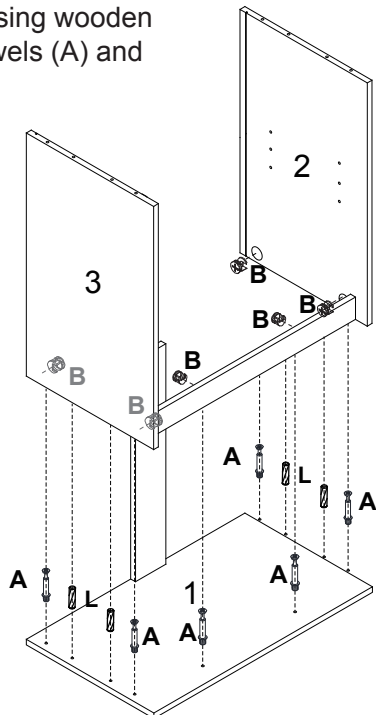
3 Attach piece 2 & 3 to piece 4 using wooden dowels (L), cam dowels (A) and cam locks (B).



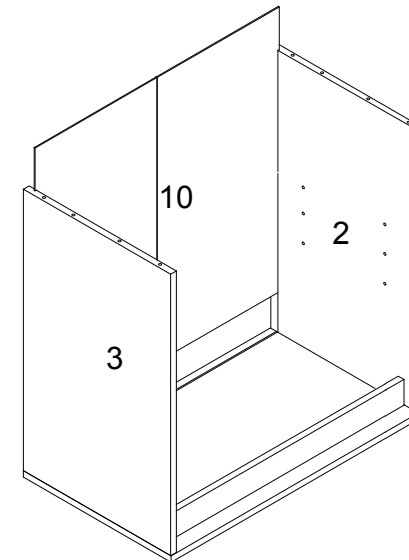
4 Attach piece 7 to piece 1 using cam dowels (A) and cam locks (B).



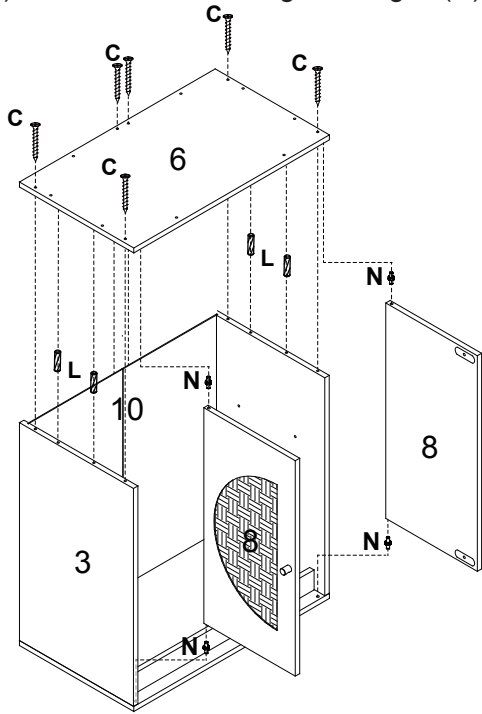
5 Attach 2 sections using wooden dowels (L), cam dowels (A) and cam locks (B).



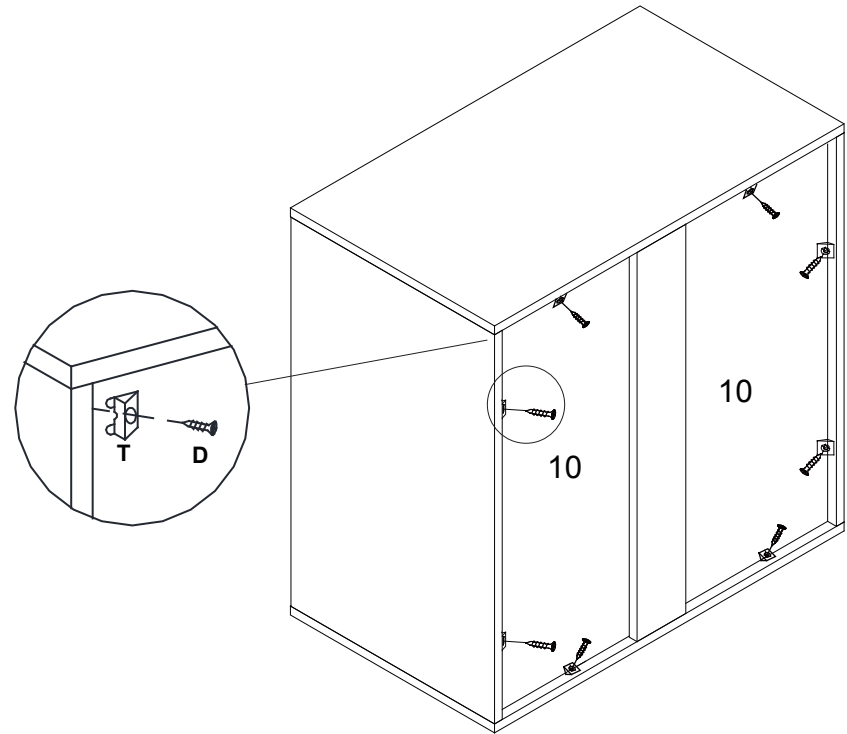
6 Slot piece 10 into the ridges.



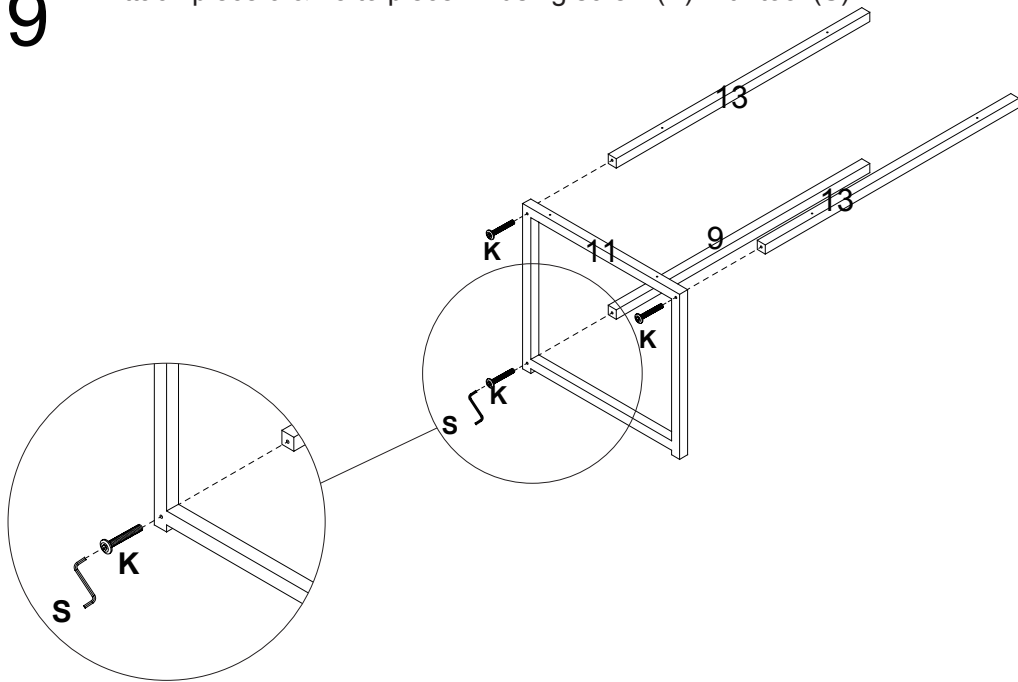
7 Attach piece 6 to the unit using wooden dowels (L), cam dowels (A) and cam locks (B). Connect door 8 using bar hinges (N).



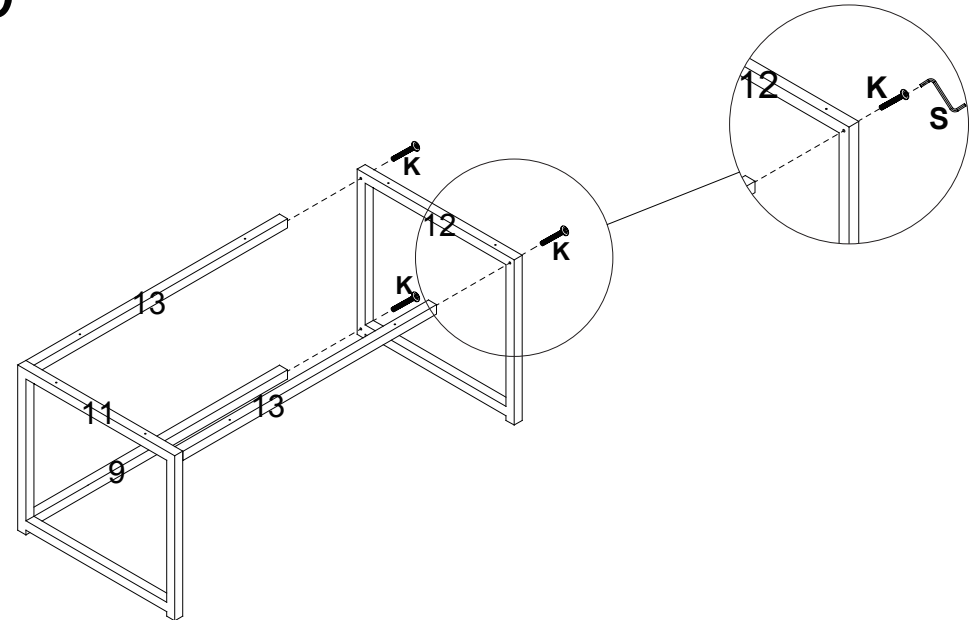
8 Attach panel stiffener on piece 10 using screw (D).



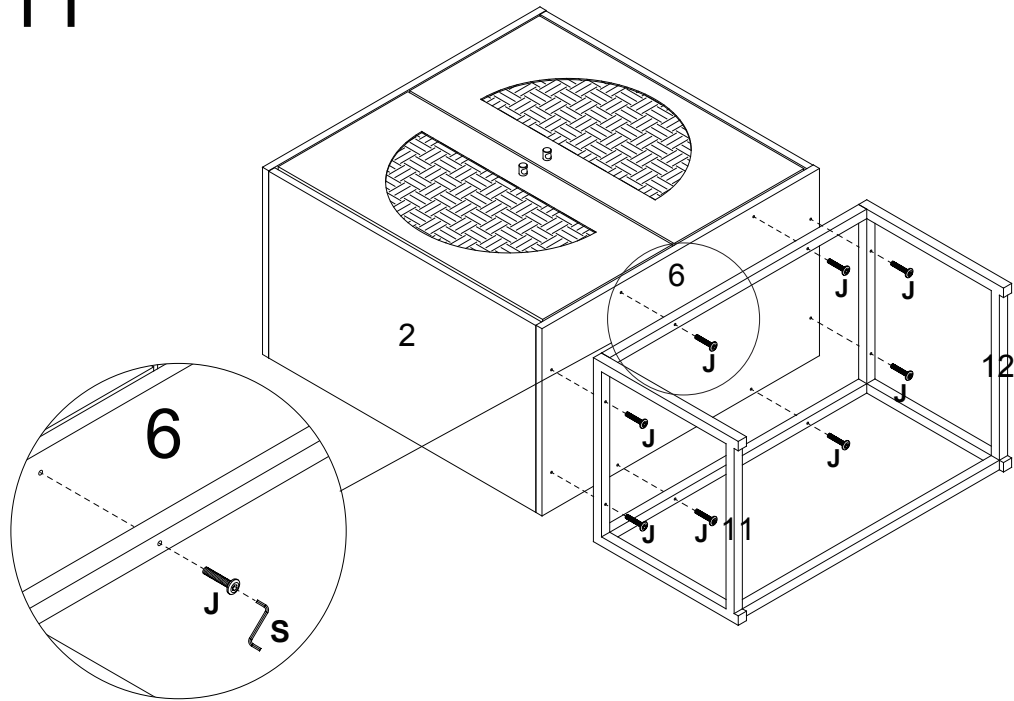
9 Attach piece 9 & 13 to piece 11 using screw (K) with tool (S).



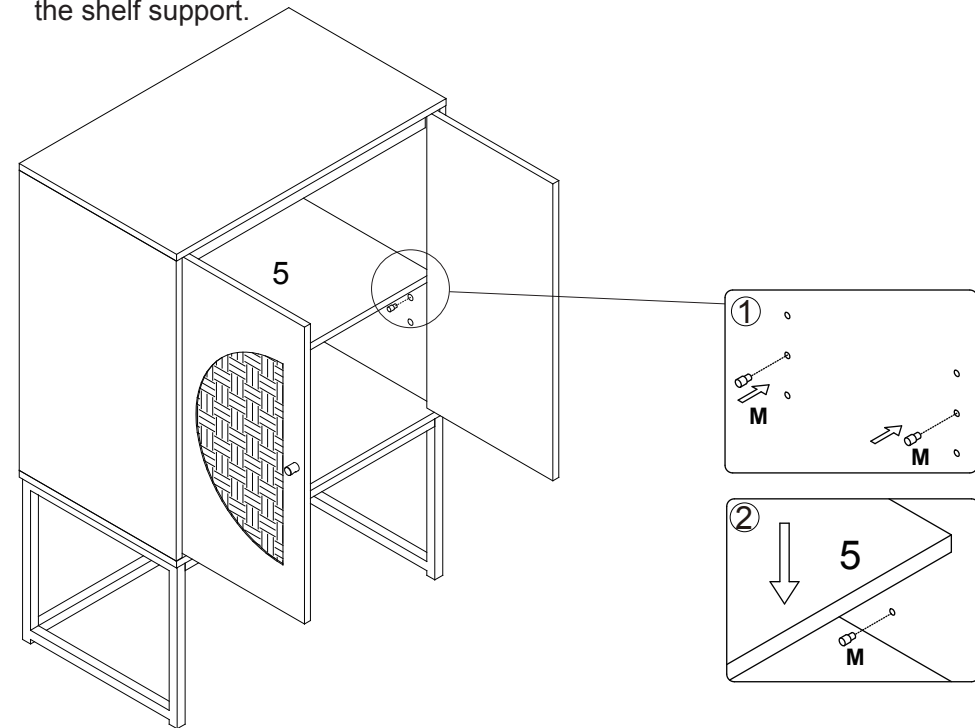
10 Attach piece 9 & 13 to piece 12 using screw (K) with tool (S).



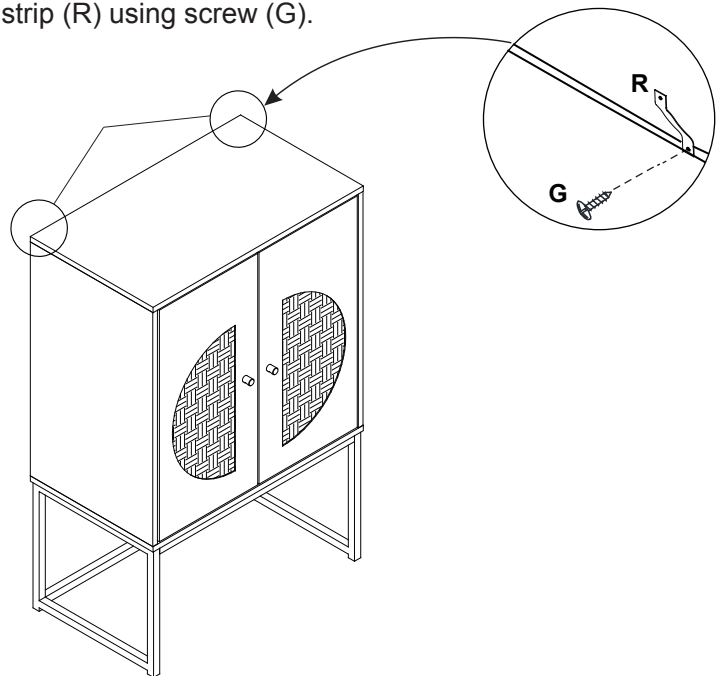
11 Attach 2 section using screw (J) with tool (S).



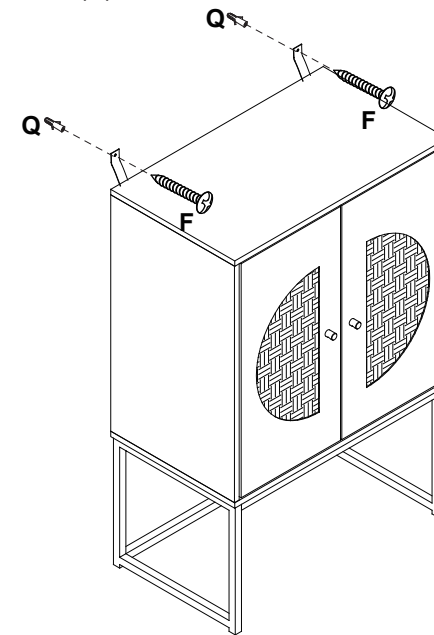
12 Put shelf support (M) into the hole on piece 2 & 3, put the piece 5 on the shelf support.



13 Attach strip (R) using screw (G).



14 Secure the unit to a wall in your chosen location using wall plugs (Q) and screws (F).



15

The unit should now be assembled and ready to use.

