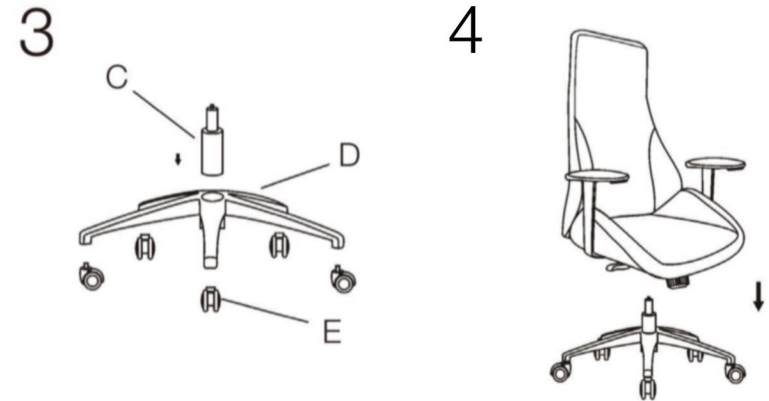
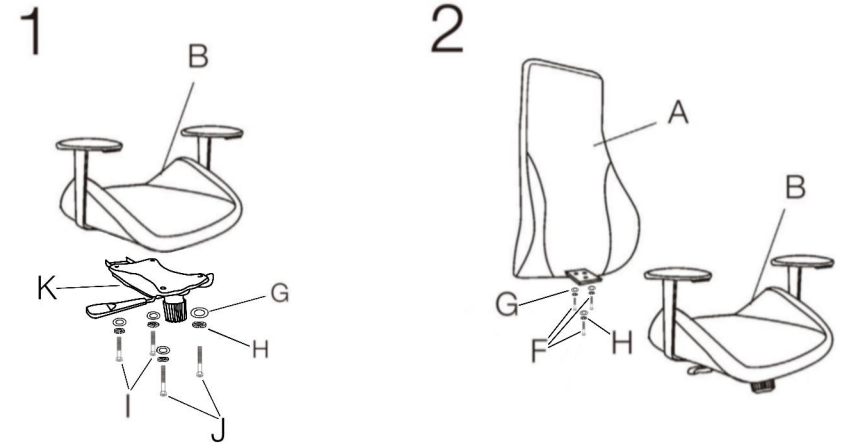


Assembly Instructions

BERGEN High Back Office Chair

PLEASE NOTE: Check that you have received all components and hardware before assembling. If you are missing any parts, contact your retailer.



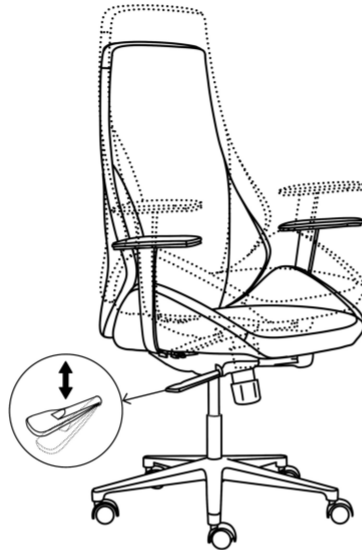
- | | | | | | |
|--|------------------------|--|-----------|--|------------------------|
| | A (1 pc) | | B (1 pc) | | C (1 pc) |
| | D (1 pc) | | E (5 pcs) | | F (3 pcs)
Ø8 x 20mm |
| | G (7 pcs) | | H (7 pcs) | | I (2 pcs)
Ø8 x 25mm |
| | J (2 pcs)
Ø8 x 35mm | | K (1 pc) | | L (1 pc)
6mm |

During assembly, hand tighten screw only. When the screw is in place, tighten completely.

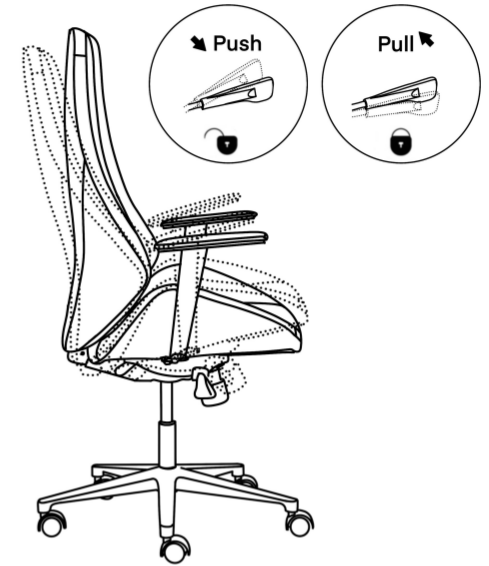
Function Description



1 Chair height adjustable



2 Chair Tilt and lock



3 Tilt Tension



During assembly, hand tighten screw only. When the screw is in place, tighten completely.