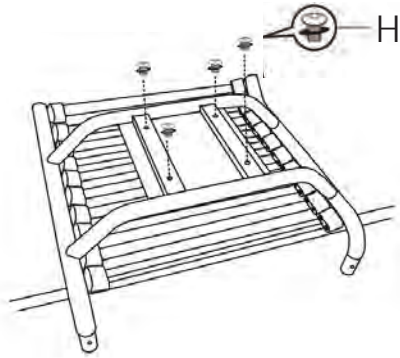


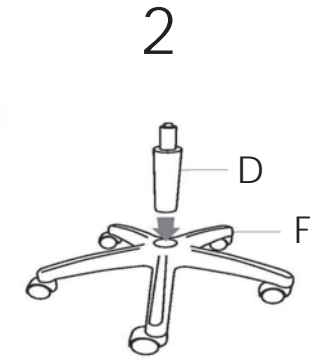
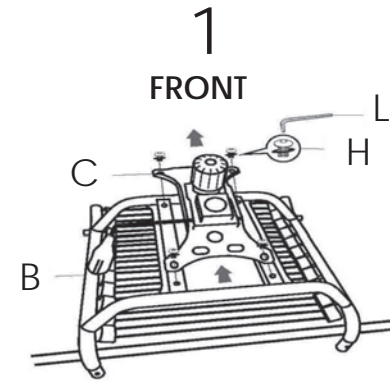
# Assembly Instructions

## BUNGIE High Back Office Chair

PLEASE NOTE: Check that you have received all components and hardware before assembling. If you are missing any parts, contact your retailer.



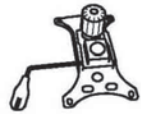
**IMPORTANT NOTE:** Screws and washers (Parts H) are preassembled into the underside of the seat (Part B). Remove screws and washers from seat and then use to attach Part C to Part B, as shown in step 1.



A (1 pc)



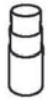
B (1 pc)



C (1 pc)



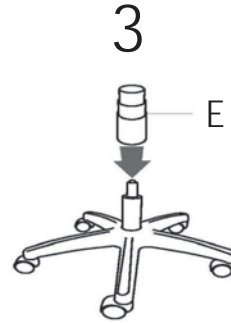
D (1 pc)



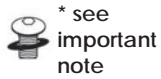
E (1 pc)



F (1 pc)



G (2 pcs)



H (4 pcs)  
M8 x 14mm



I (2 pcs)  
1/4" x 5/8"



J (4 pcs)  
M8 x 40mm



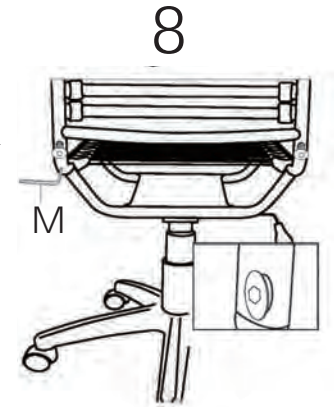
K (4 pcs)



L (1 pc)  
5mm



M (1 pc)  
4mm

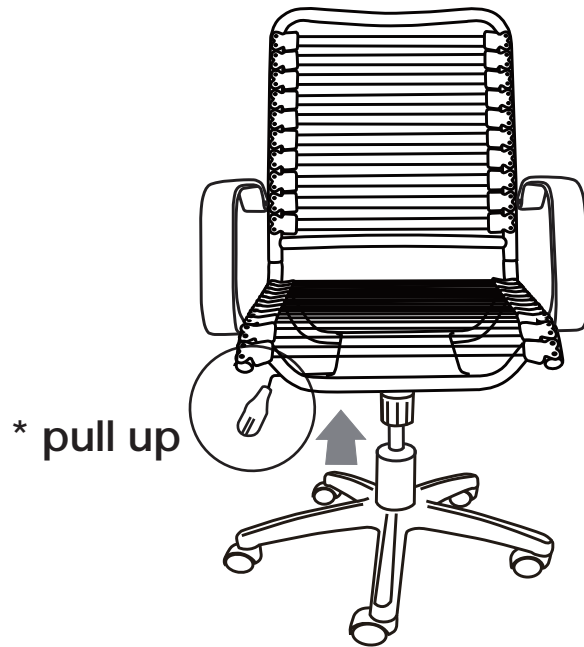


During assembly, hand tighten screws only. When the screws are in place, tighten completely.

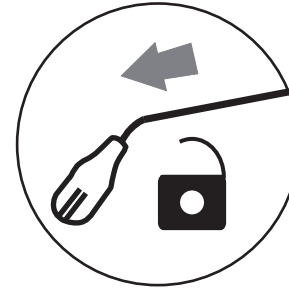
# Function Description

PLEASE NOTE: Check that you have received all components and hardware before assembling. If you are missing any parts, contact your retailer.

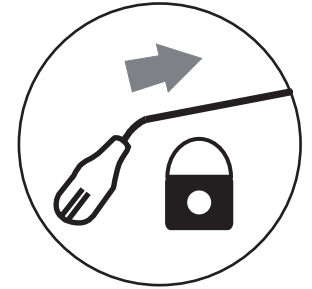
## 1. To adjust chair height



## 2. Chair tilt and lock

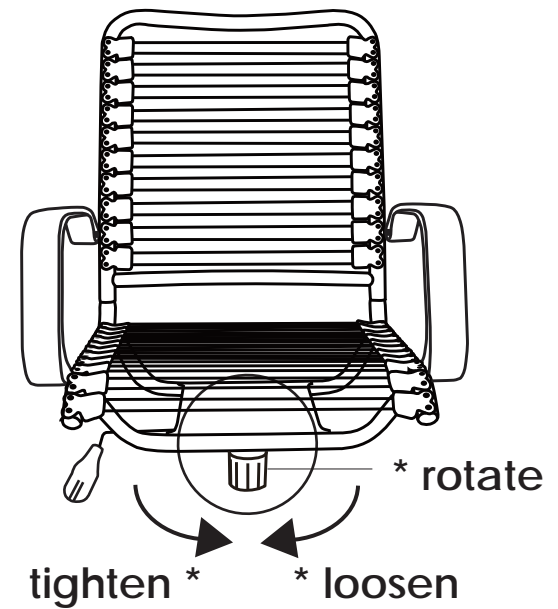


\* pull out



\* push in

## 3. To loosen or tighten chair tilt



During assembly, hand tighten screws only. When the screws are in place, tighten completely.