










ITEM NAME/NOM D'ITEM: SPECIFY OFFICE CHAIR

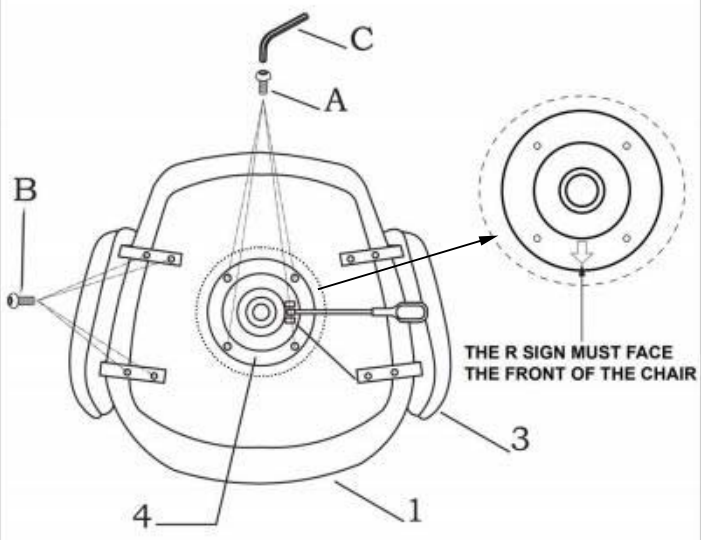
ITEM #/NO.ITEM: 101836 / 101837

## PARTS LIST/LISTE DES PIÈCES

(1)	(2)	(3)	(4)	(5)	(6)	(7)
						A.  M6x18mm x4 B.  M6x35mm x8 C.  5mm x1
x1	x1	x2	x1	x1	x5	

## ASSEMBLY INSTRUCTIONS/INSTRUCTIONS D'ASSEMBLAGE

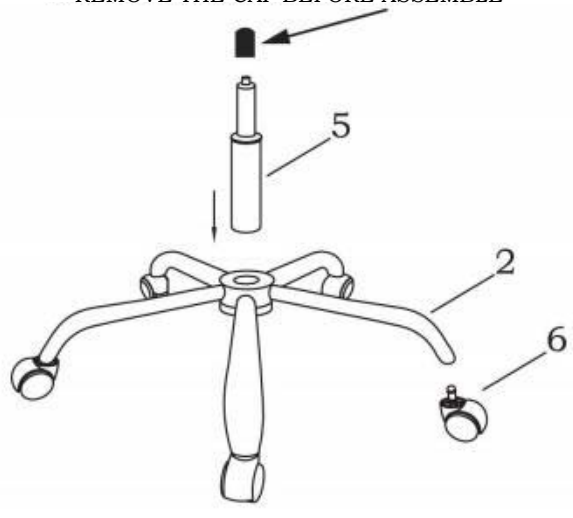
**I**




THE R SIGN MUST FACE THE FRONT OF THE CHAIR

**II**


REMOVE THE CAP BEFORE ASSEMBLE



**III**



**IV**



For missing parts or damaged parts, please call

USA : 1-866-798-6663

Canada : 514-382-6661

AI-V3-210121