












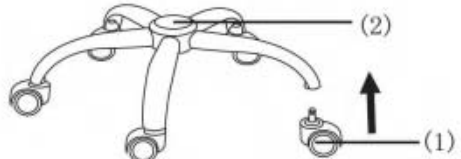
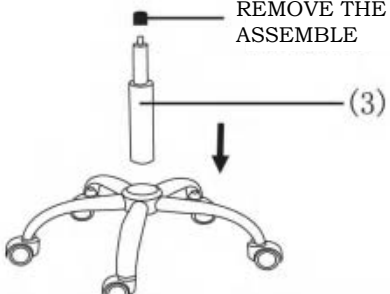
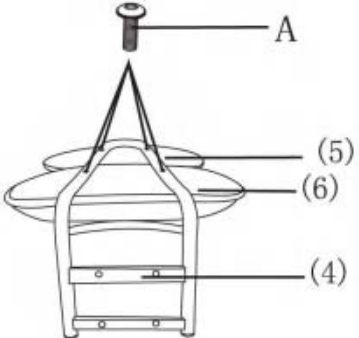
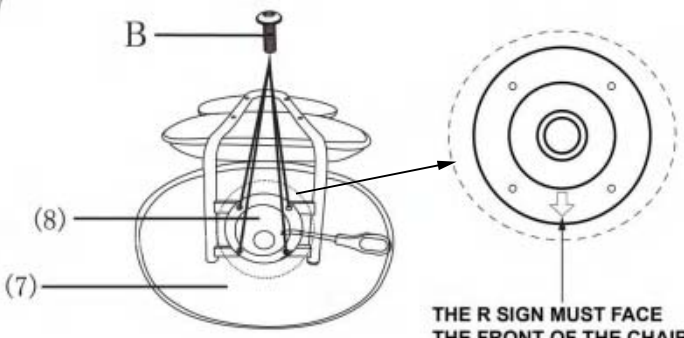
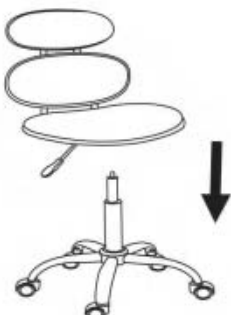

ITEM NAME/NOM D'ITEM: IRIS OFFICE CHAIR

ITEM #/NO. ITEM: 101940/101941/101942

PARTS LIST/LISTE DES PIÈCES

(1)	(2)	(3)	(4)	(5)
 X5	 X1	 X1	 X1	 X1
(6)	(7)	(8)	(9)	
 X1	 X1	 X1	A.  M6x30mm (White) x4 B.  M6x30mm (Black) x4 C.  5mm x1	

ASSEMBLY INSTRUCTIONS/INSTRUCTIONS D'ASSEMBLAGE

<p>I</p> 	<p>II</p>  <p>REMOVE THE CAP BEFORE ASSEMBLE</p>
<p>III</p> 	<p>IV</p>  <p>THE R SIGN MUST FACE THE FRONT OF THE CHAIR</p>
<p>V</p> 	<p>VI</p> 

For missing parts or damaged parts, please call

USA : 1-866-798-6663
 Canada : 514-382-6661

AI-V2-210121