










ZUO[®]

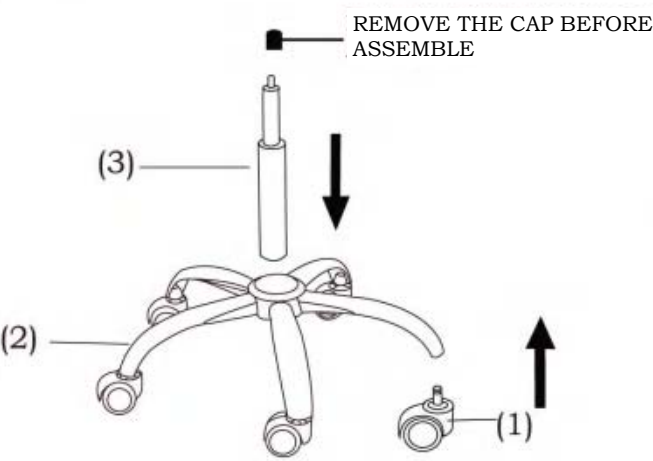
ITEM NAME/NOM D'ITEM: KERRY OFFICE CHAIR
ITEM #/NO. ITEM: 101943/101944/101945

PARTS LIST/LISTE DES PIÈCES

(1)	(2)	(3)	(4)
 x5	 x1	 x1	 x1
(5)	(6)	(7)	
 x1	 x1	A.  M6x18mm (White) x4	
		B.  M6x18mm (Black) x4	
		C.  5mm x1	

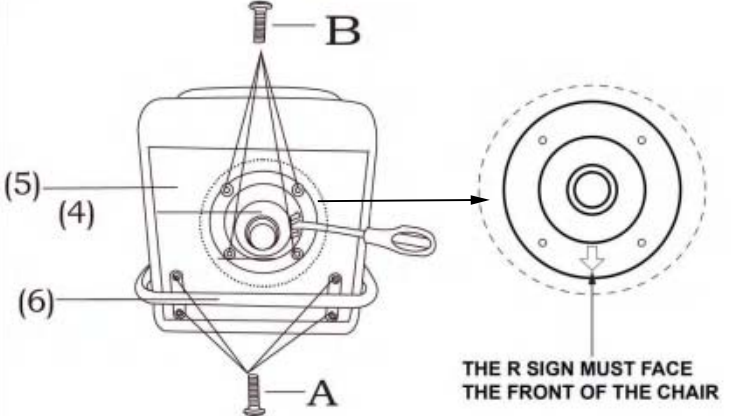
ASSEMBLY INSTRUCTIONS/INSTRUCTIONS D'ASSEMBLAGE

I



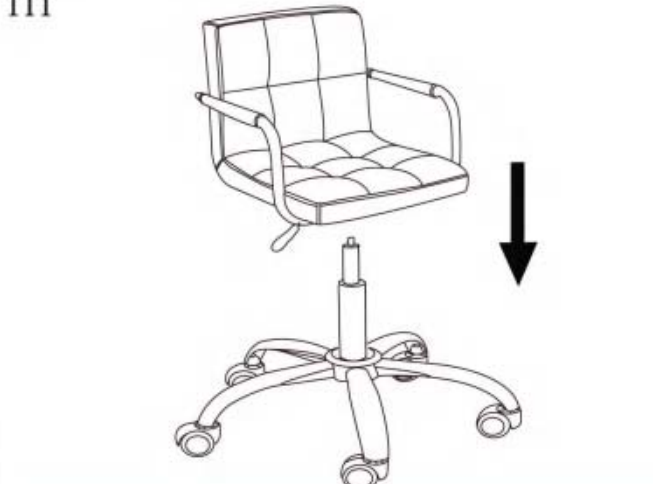
REMOVE THE CAP BEFORE ASSEMBLE

II




THE R SIGN MUST FACE THE FRONT OF THE CHAIR

III



IV



For missing parts or damaged parts, please call

USA : 1-866-798-6663
 Canada : 514-382-6661

AI-V2-210121