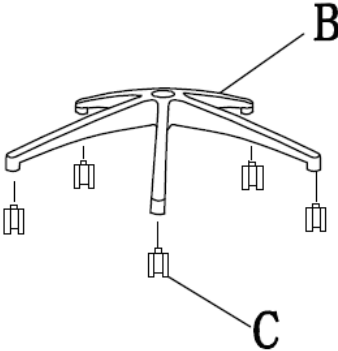


Assembly Instructions MIA Office Chair

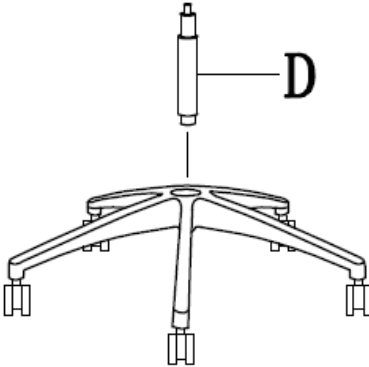
PLEASE NOTE: Check that you have received all components and hardware before assembling. If you are missing any parts, contact your retailer.



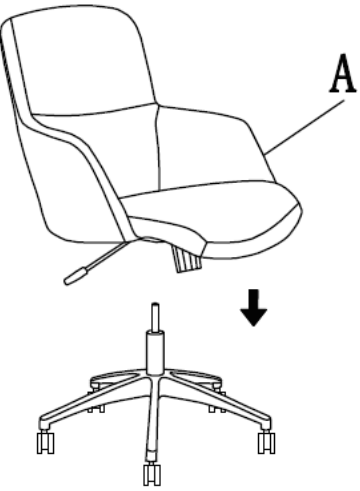
1



2



3



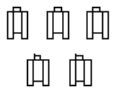
4



A (1 pc)



B (1 pc)



C (1 pc)



D (1 pc)

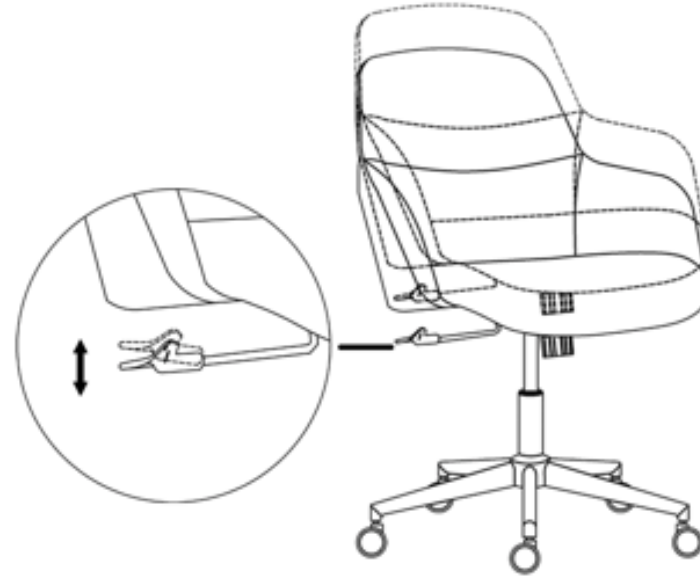
During assembly, hand tighten screws only. When the screws are in place, tighten completely.

Function Description

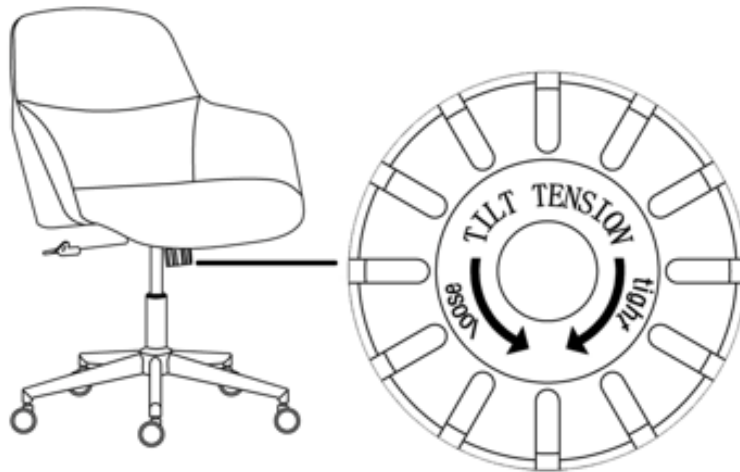
PLEASE NOTE: Check that you have received all components and hardware before assembling. If you are missing any parts, contact your retailer.



1 Chair height adjustable



2 Chair Tilt and Lock



During assembly, hand tighten screws only. When the screws are in place, tighten completely.