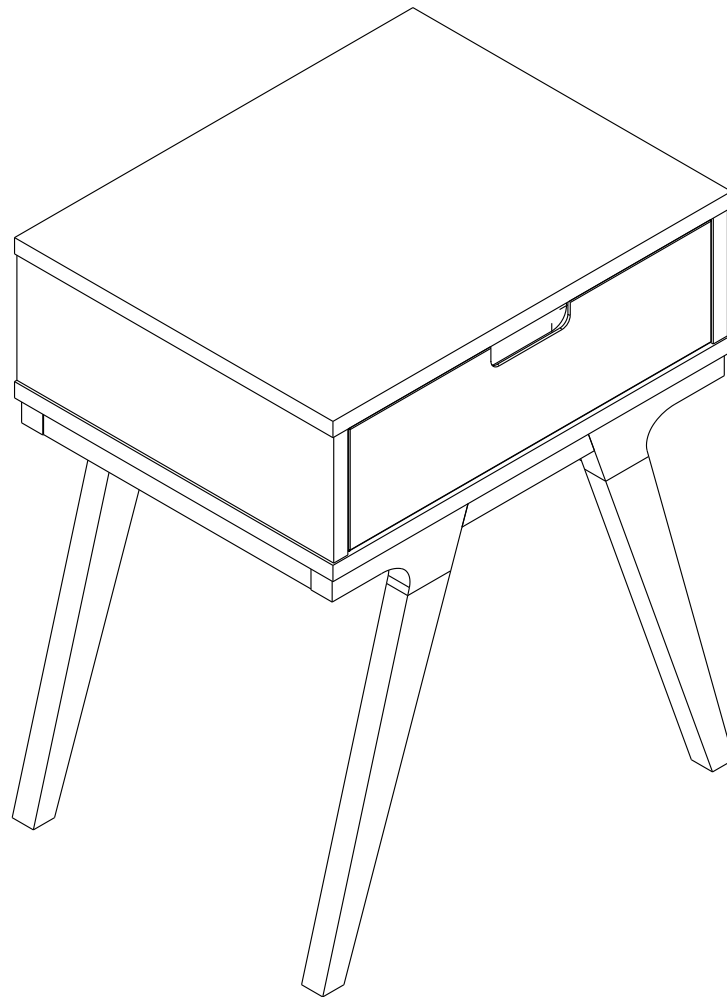


Item #: AF20MATST

Assembly Instruction

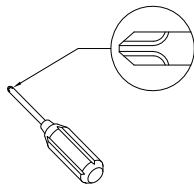


Please visit our website for the most current instructions, assembly tips report damage, or request parts. www.walker-edison.com

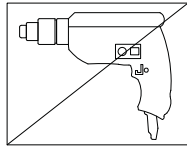
Revised 08/2019

General Assembly Guidelines

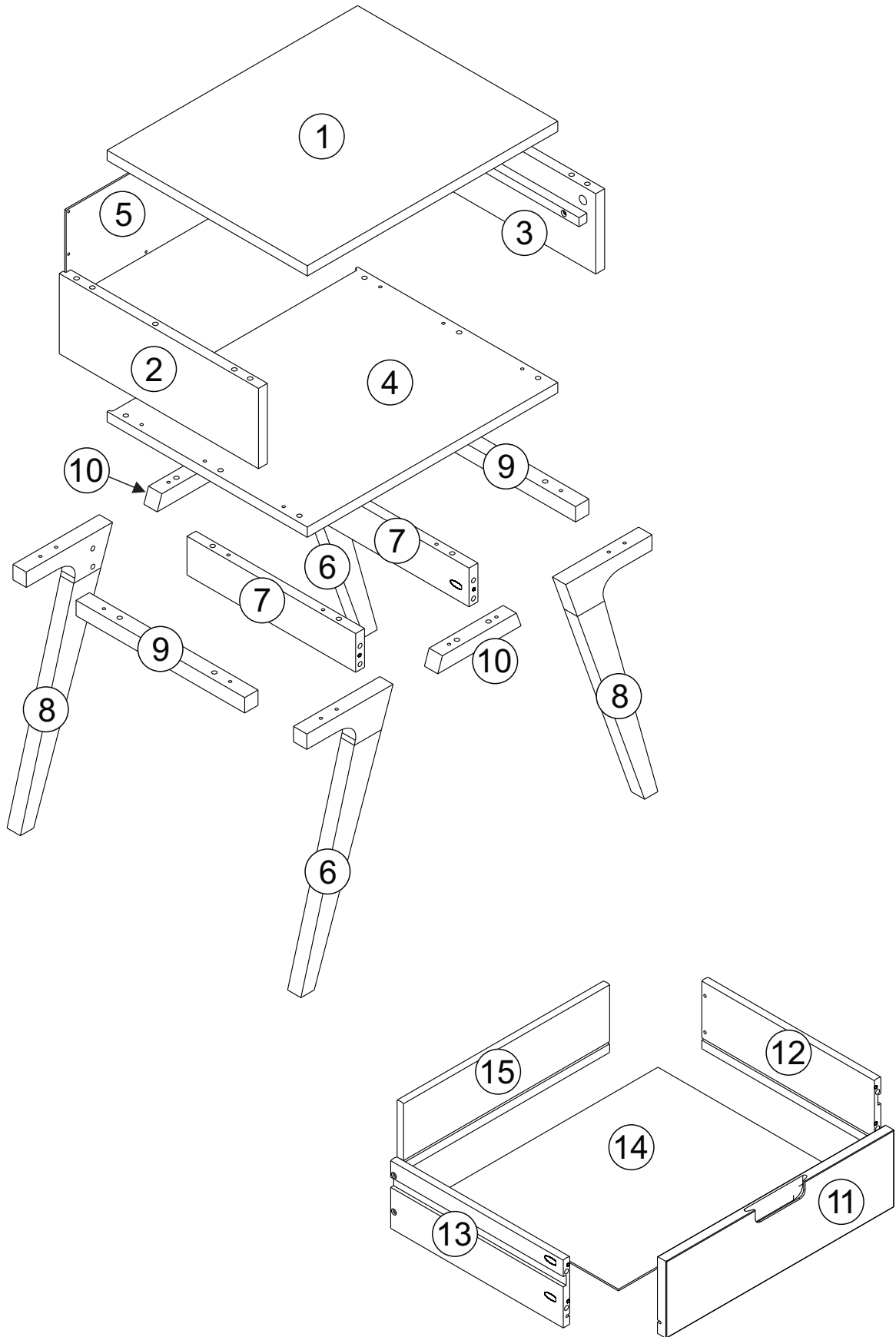
- I. Ensure that all parts and hardware are available before beginning assembly.
- II. Follow each step carefully to ensure the proper assembly of this product.
- III. Two people are recommended for ease in the assembly of this product.
- IV. The three main types of hardware used to assemble this product are : wood dowels , screws and bolts.
- V. A Phillips head screwdriver is required for the assembly of this product .



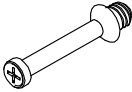

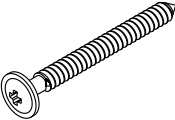
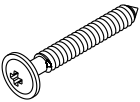
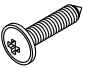
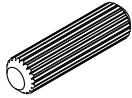
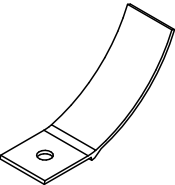
- VI. Power tools should not be used to assemble this product .

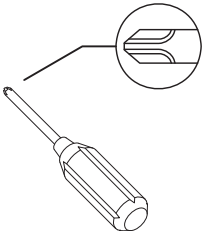


Parts List



Hardware List

A		Ø 5,5x28mm	Cam Bolt	06 pcs
B		Ø 14x14mm	Cam Lock	06 pcs
C		Ø 4,0x40 mm	Screw	24 pcs
D		Ø 4,0x30 mm	Screw	14 pcs
E		Ø 3,0x16 mm	Screw	11 pcs
F		Ø 8,0x30 mm	Wood dowel	34 pcs
G			Drawer Limiter	01 pc

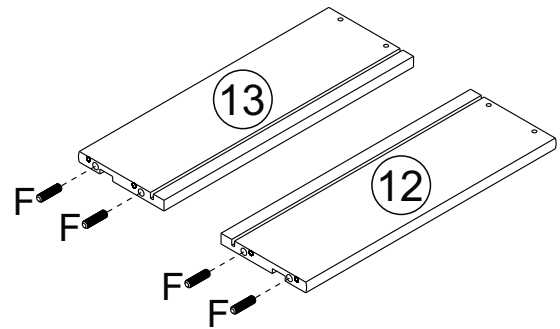
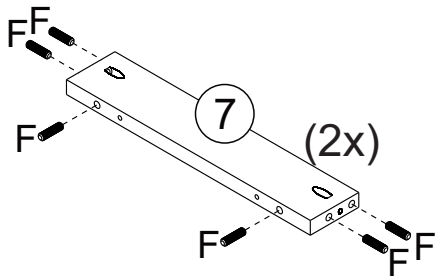
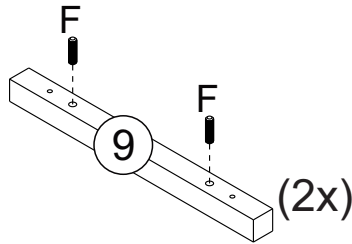
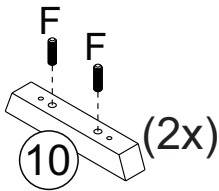
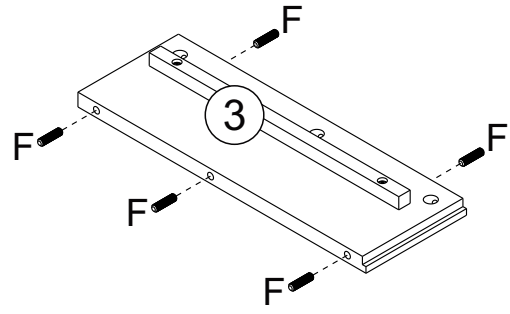
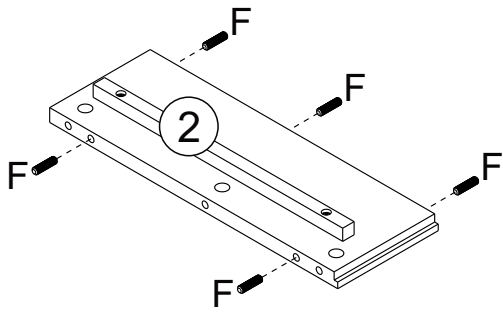


Philips head screwdriver required for assembly
(not included)

*The hardware quantities listed above are required for proper assembly.
Some extra hardware may also have been included.*

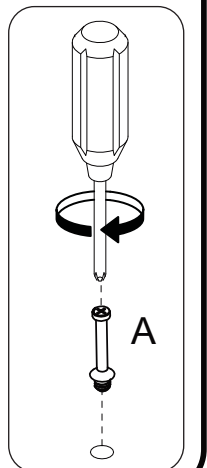
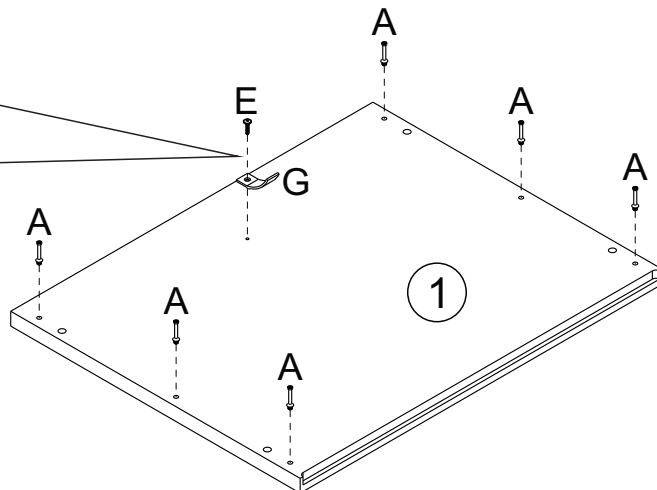
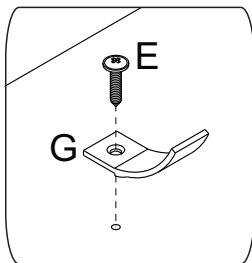
Step 1

Place Wood Dowel (F) in parts 2,3,7,9,10,12,13.

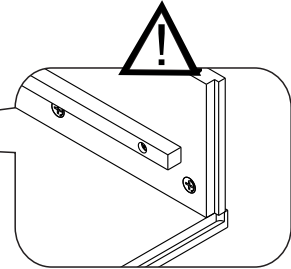
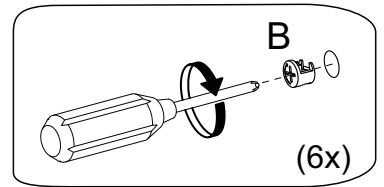
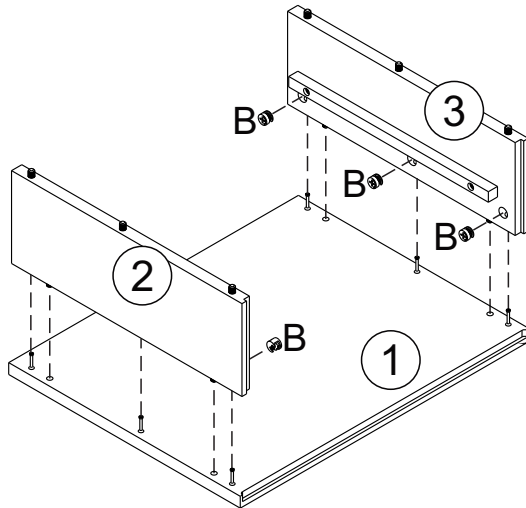


Step 2

Attach Cam Bolt (A) to Part 1. Use Screw (E) to attach Drawer Limiter (G) to Part 1.

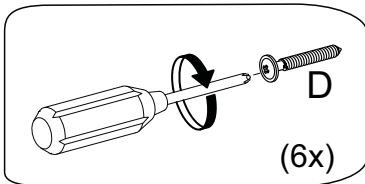
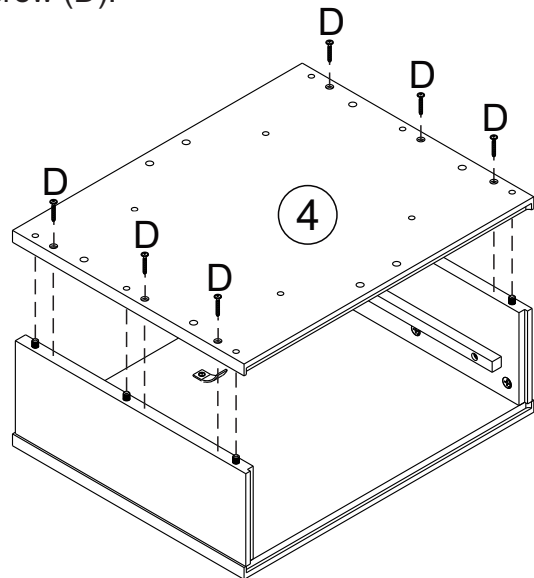


Step 3 Use Cam Lock (B) to attach parts 2 and 3 to part 1.

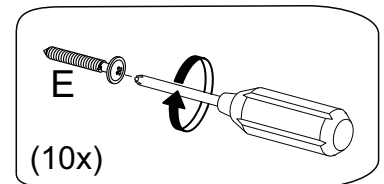
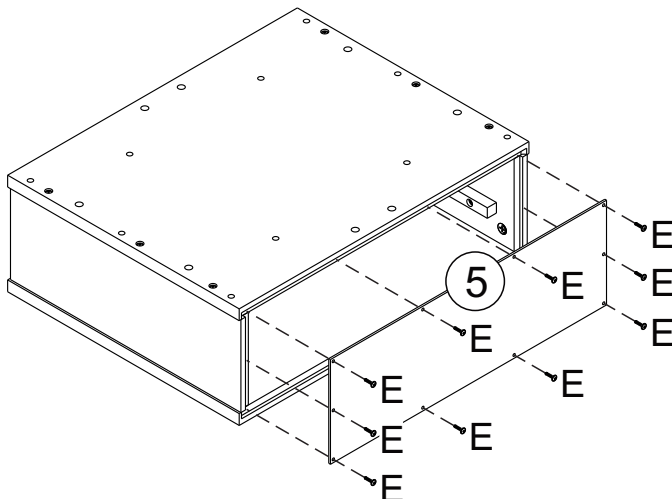


Back

Step 4 Attach part 4 to the body using Screw (D).

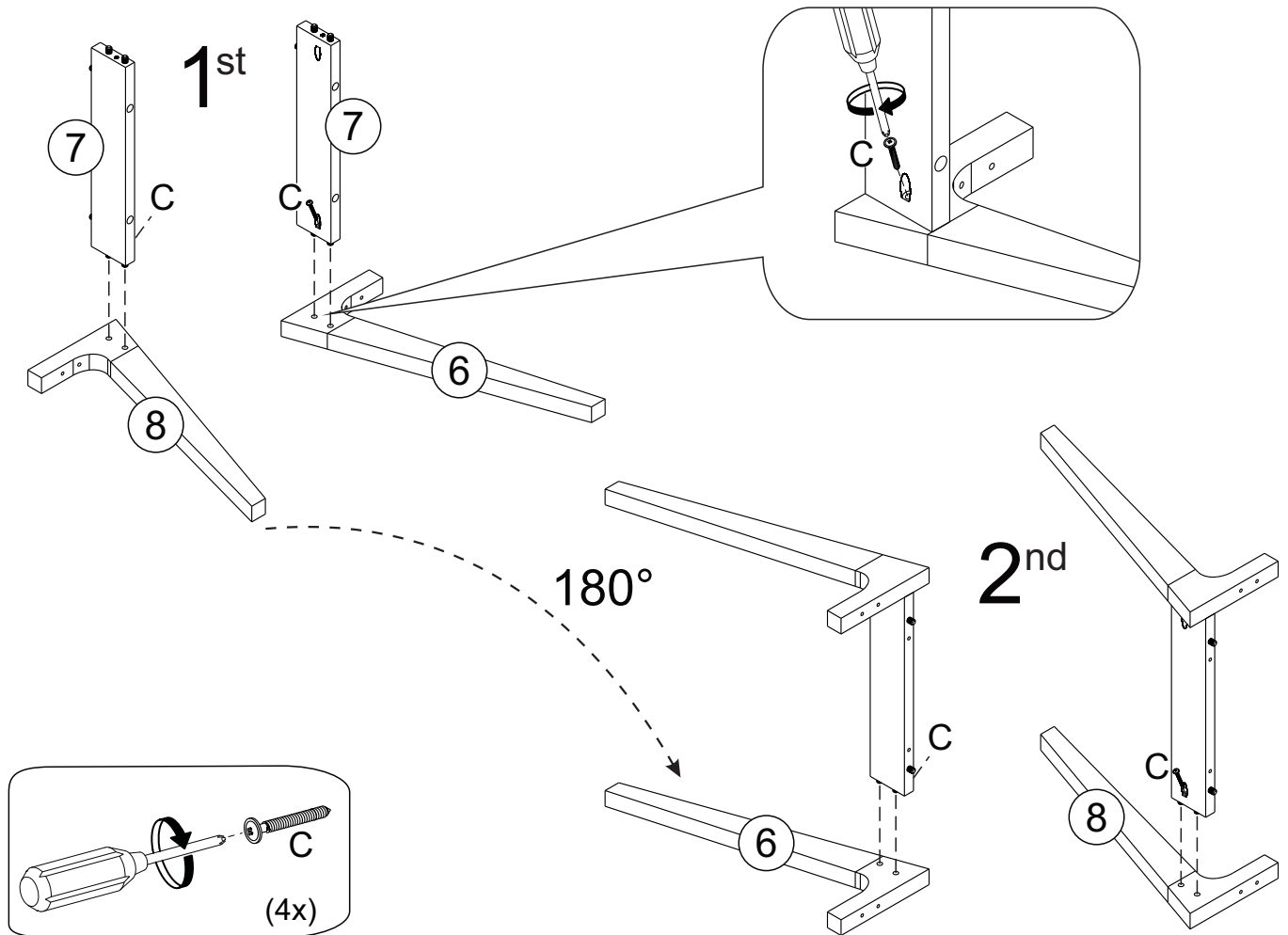


Step 5 Attach part 5 to the body using Screw (E).



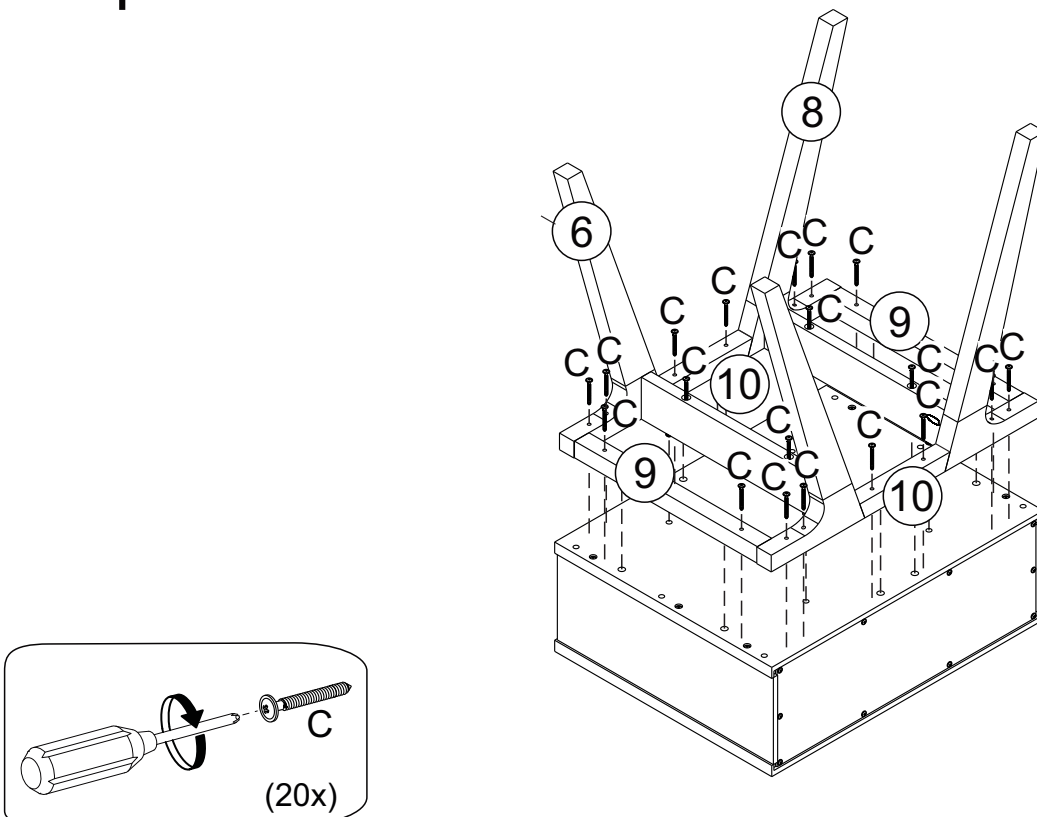
Step 6

Use Screw (C) to attach part 7 to part 8 and 6. Remember to reverse the parts and repeat.

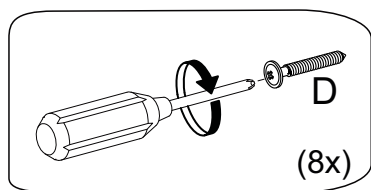
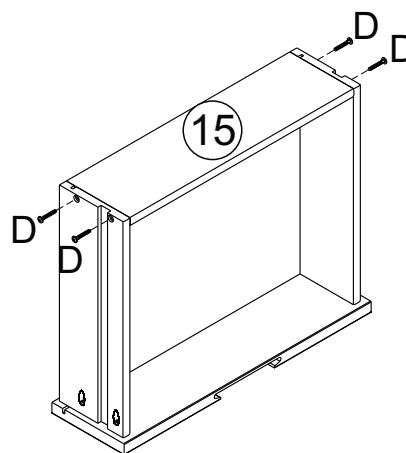
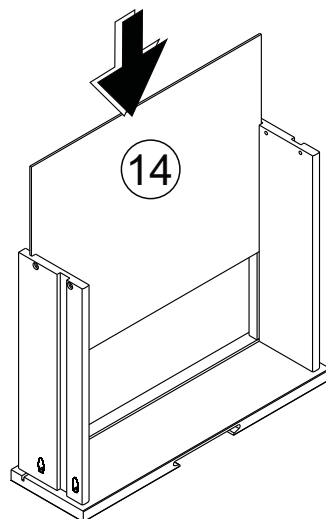
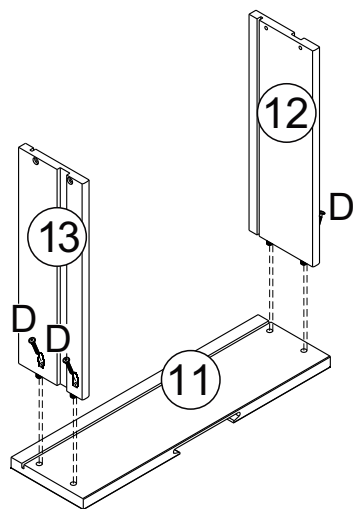


Step 7

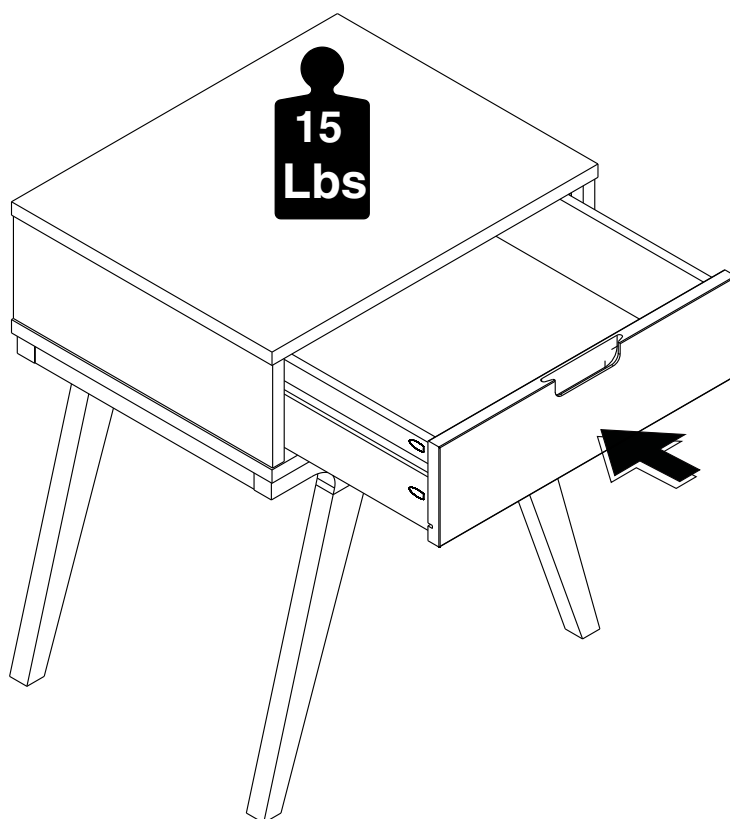
Attach Legs, parts 9 and 10 to the body using Screw (C).



Step 8 Attach parts 13 and 12 to part 11 using Screw (D). Insert part 14 into the drawer and attach part 15 to the drawer using Screw (D).



Step 9



Final Assembly