


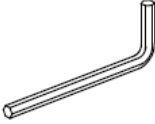


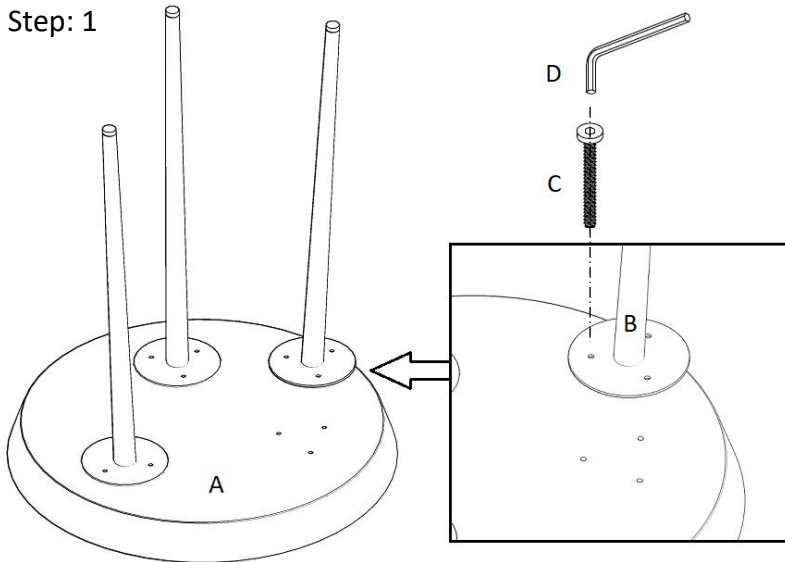
Assembly Instructions

Item No. 53450

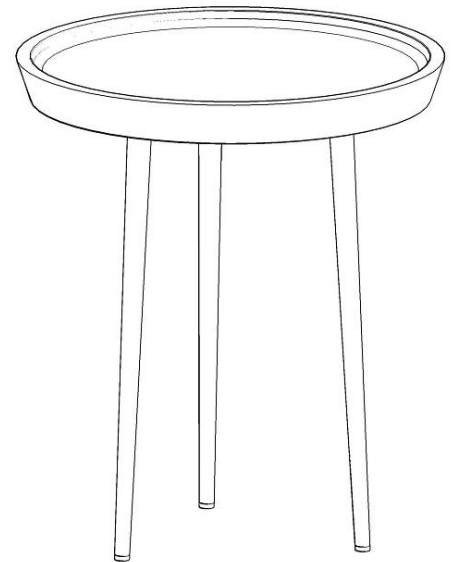
Thank you for purchasing this quality product. Be sure to check all packing material carefully for small parts that may have come loose inside the carton during shipment. (Note: Loosely thread all screws/bolts first. Once the item is assembled then completely tighten.)

PARTS LIST:				HARDWARE LIST:				
No.	Description	Sketch	Quantity	No.	Sketch	Description	Size	Quantity
A	Top		1	C		Bolt	6mm X 16mm	9 +1 Extra
B	Leg		3	D		Allen Wrench	4mm	1

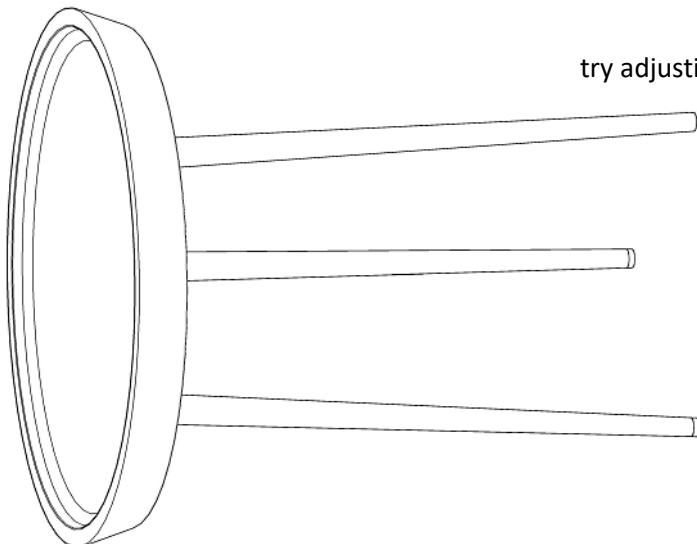
Step: 1



Finish:



Adjustable leveller:



Tip for levelling of product:
When the product rests on an uneven floor surface
It will appear to be unbalanced. To aid in levelling,
try adjusting the levellers located on the bottom of each foot.

